



US00D897718S

(12) **United States Design Patent**
Cute

(10) **Patent No.:** **US D897,718 S**

(45) **Date of Patent:** **** Oct. 6, 2020**

(54) **PLANTER POT ATTACHMENT**
(71) Applicant: **Sun Hill Industries, Inc.**, Fairfield, CT (US)
(72) Inventor: **Joseph E. Cute**, Geneva, IL (US)
(73) Assignee: **Sun Hill Industries, Inc.**, Fairfield, CT (US)
(**) Term: **15 Years**
(21) Appl. No.: **29/658,564**

D120,858 S * 6/1940 Crossley D34/5
2,968,462 A * 1/1961 Jones D06F 95/002
248/291.1
3,302,328 A * 2/1967 King A01G 9/128
47/47
D224,333 S * 7/1972 Kelly D6/556
3,878,590 A * 4/1975 Bolger A01G 17/08
47/44
D393,159 S * 4/1998 Richards D11/148
D409,854 S * 5/1999 Rehmert D6/403
D425,326 S * 5/2000 Kemp
D435,359 S * 12/2000 McCarron D6/403
D463,158 S * 9/2002 Lu
D468,553 S * 1/2003 Nunes
D481,103 S * 10/2003 West D23/214

(Continued)

(22) Filed: **Aug. 1, 2018**
(51) **LOC (12) Cl.** **11-02**
(52) **U.S. Cl.**
USPC **D6/403**
(58) **Field of Classification Search**
USPC D11/143-156, 164; D3/304, 307, 315;
D6/691.6, 692.4, 403-405, 556-558;
D7/509, 554.3; D34/5
CPC . A47G 7/02; A47G 7/04; A47G 7/041; A47G
7/042; A47G 7/044; A47G 7/045; A47G
7/047; A47G 7/06; A47G 7/063; A47G
7/08; A47G 2007/048; A01G 2009/003;
A01G 9/02; A01G 9/021; A01G 9/022;
A01G 9/026; A01G 9/028; A01G 9/029;
A01G 9/0293; A01G 9/0299; A01G
9/033; A01G 9/04; A01G 9/045; A01G
9/047

See application file for complete search history.

(56) **References Cited**

U.S. PATENT DOCUMENTS

926,274 A * 6/1909 Meneray A01G 9/12
47/47
1,130,300 A * 3/1915 Krager A01G 23/10
248/218.1
1,359,388 A * 11/1920 Koerner A01G 9/12
47/47
D115,208 S * 6/1939 Kiss D6/556

Primary Examiner — Elizabeth A. Albert

(74) *Attorney, Agent, or Firm* — Riverside Law LLP

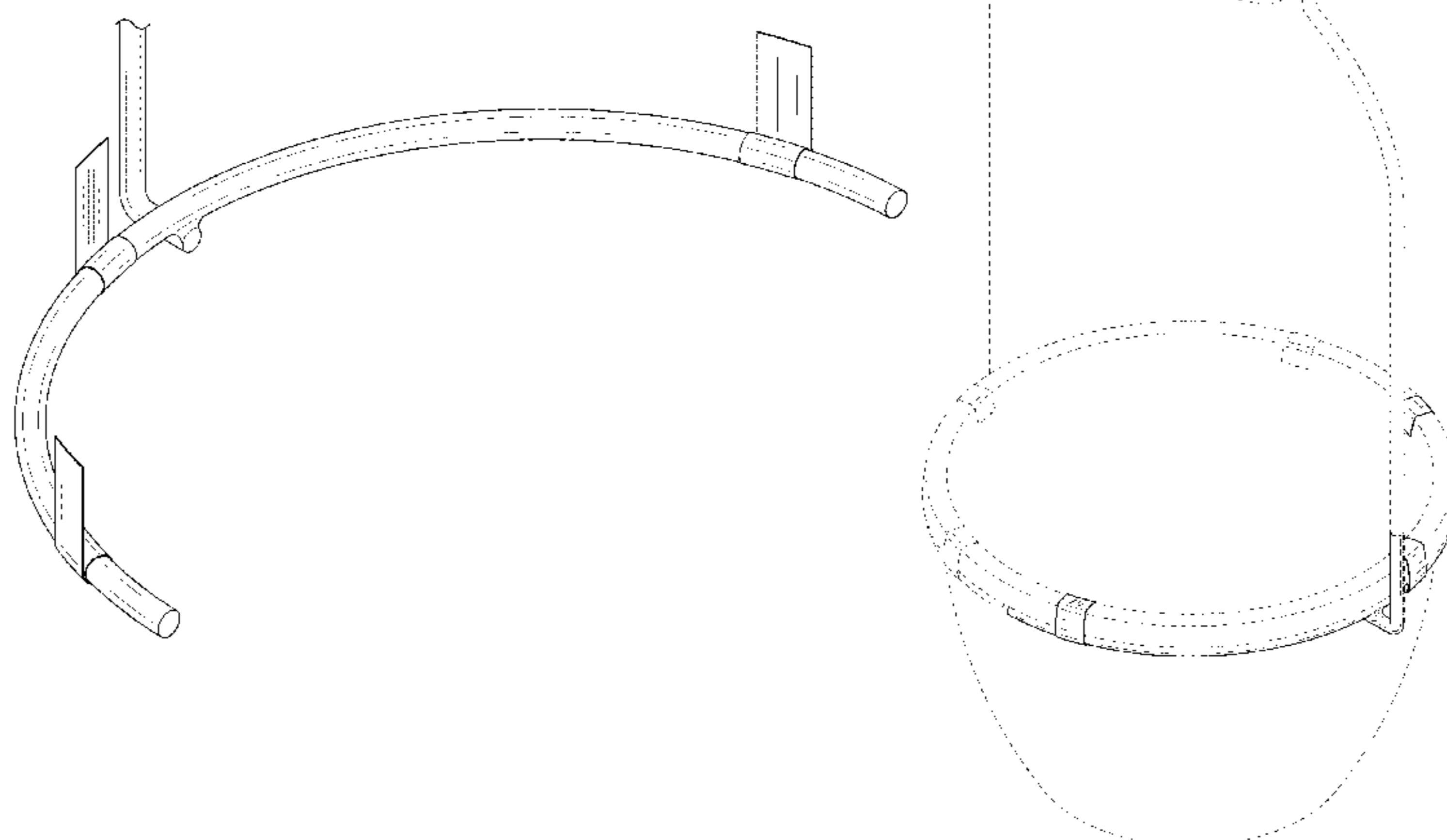
(57) **CLAIM**

I claim the ornamental design for a planter pot attachment, as shown and described.

DESCRIPTION

FIG. 1 is a perspective view of a planter pot attachment—showing my new design;
FIG. 2 is a front view thereof;
FIG. 3 is a back view thereof;
FIG. 4 is a right side view thereof;
FIG. 5 is a left side view thereof;
FIG. 6 is a top view thereof;
FIG. 7 is a bottom view thereof;
FIG. 8 is a perspective view thereof with foldable tabs folded down;
FIG. 9 is a perspective view thereof; and,
FIG. 10 is a bottom perspective view thereof.
The broken lines in FIGS. 9 and 10 are included to show another planter pot attachment, and other environmental features that form no part of the claimed design.

1 Claim, 9 Drawing Sheets



(56)

References Cited

U.S. PATENT DOCUMENTS

7,261,264	B2 *	8/2007	Moran	A01K 1/0356 24/573.11
D589,719	S	4/2009	Cute	
D589,720	S	4/2009	Cute	
7,631,844	B2 *	12/2009	Styles	A47G 7/044 211/71.01
D648,957	S	11/2011	Cute	
D658,906	S	5/2012	Cute	
D694,547	S	12/2013	Cute	
D698,180	S	1/2014	Cute	
D698,565	S	2/2014	Cute	
D698,566	S	2/2014	Cute	
D707,464	S	6/2014	Cute	
D719,371	S	12/2014	Cute	
D732,303	S	6/2015	Cute	
D753,941	S *	4/2016	Boen	D6/681.1
9,314,117	B2 *	4/2016	Keil	A47G 7/047
D794,352	S	8/2017	Cute	
D794,353	S	8/2017	Cute	
D817,658	S	5/2018	Cute	
D845,165	S *	4/2019	Park	D11/154
D860,671	S *	9/2019	Lawson	D6/403
D866,901	S *	11/2019	Weldon	D34/5
2004/0108426	A1 *	6/2004	Turvey	A47B 88/407 248/223.41
2018/0303041	A1 *	10/2018	Braasch	A47G 7/047

* cited by examiner

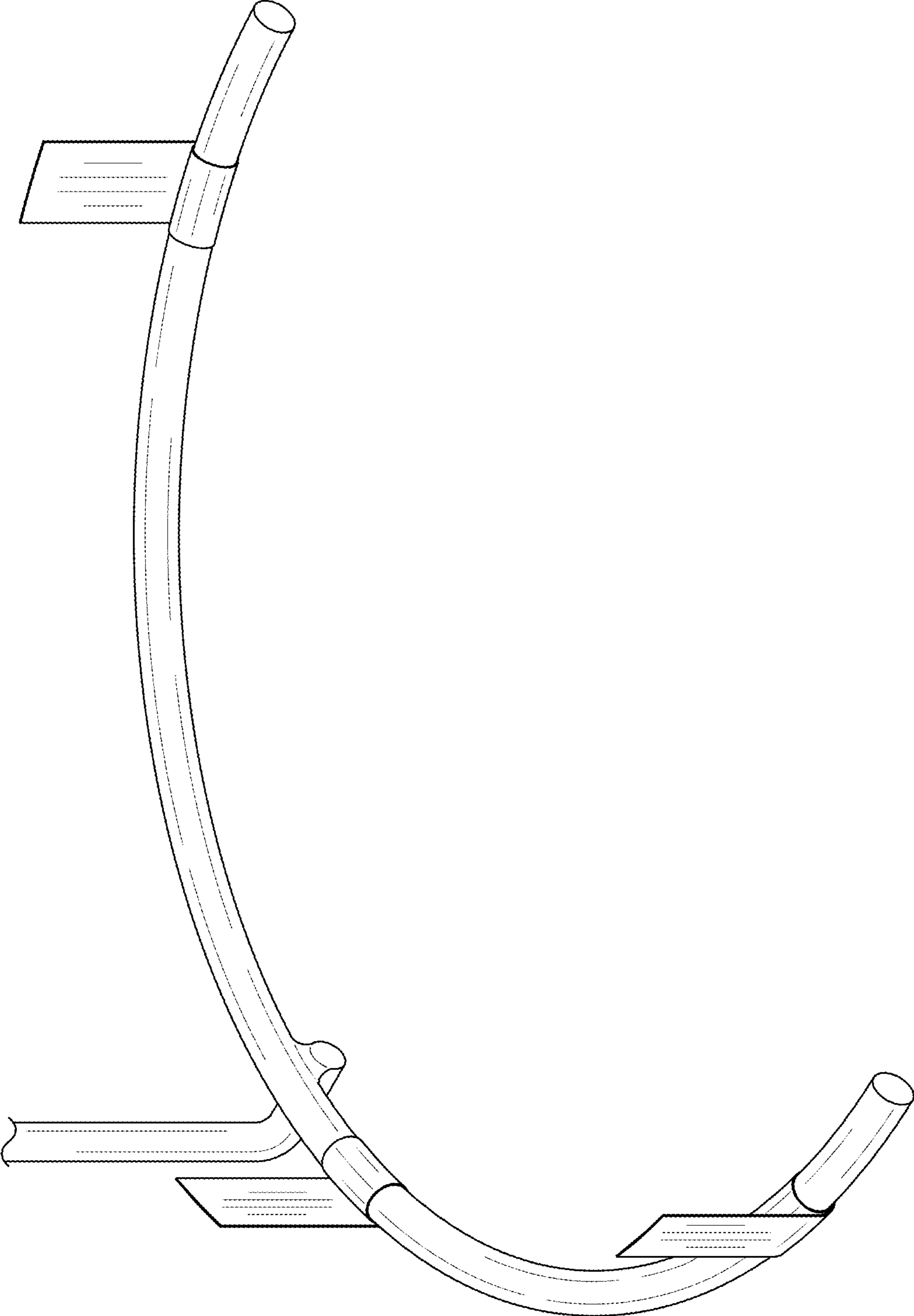


FIG. 1

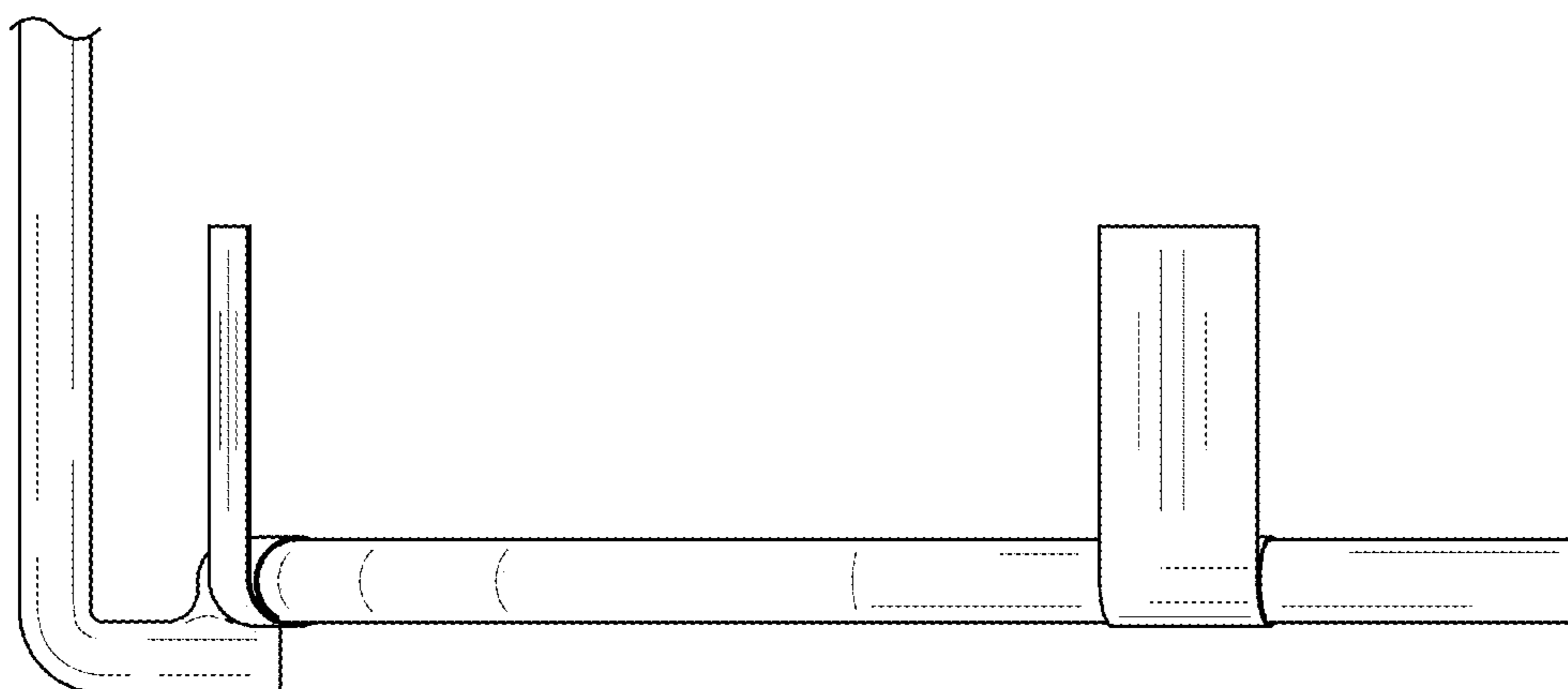


FIG. 2

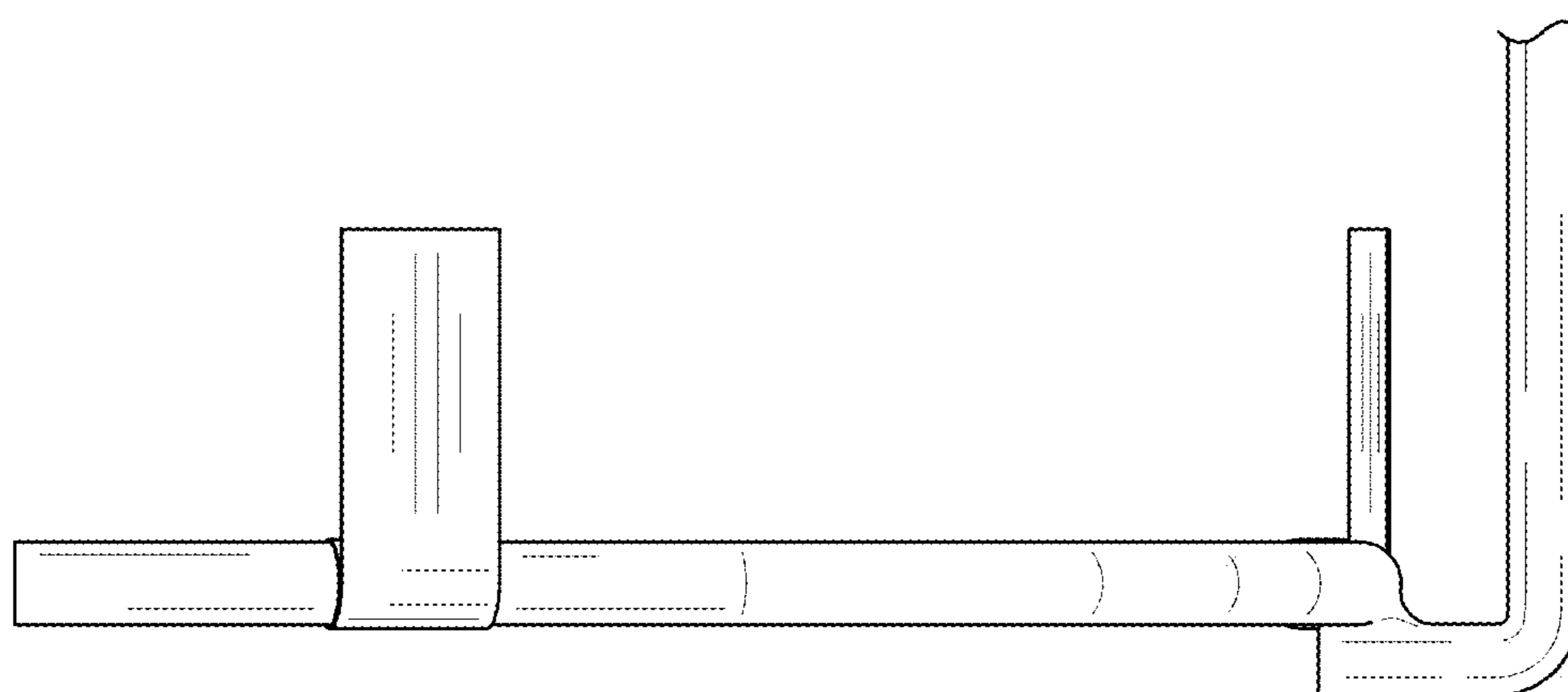


FIG. 3

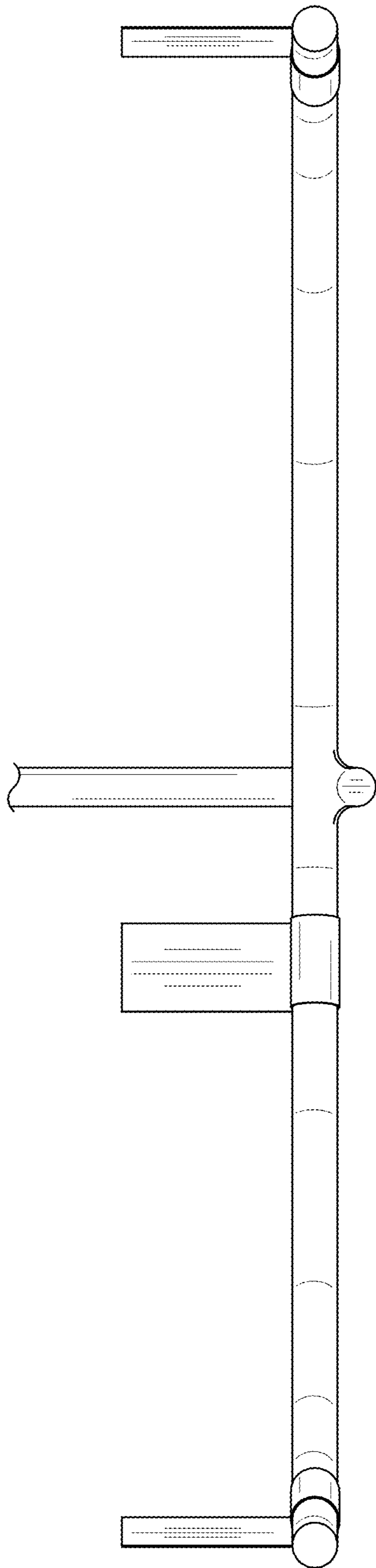


FIG. 4

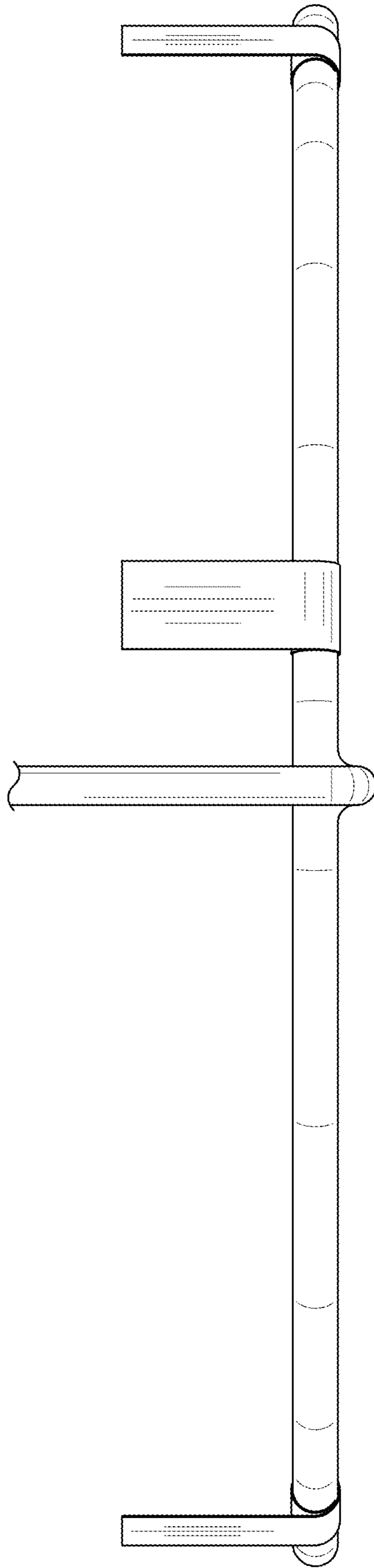


FIG. 5

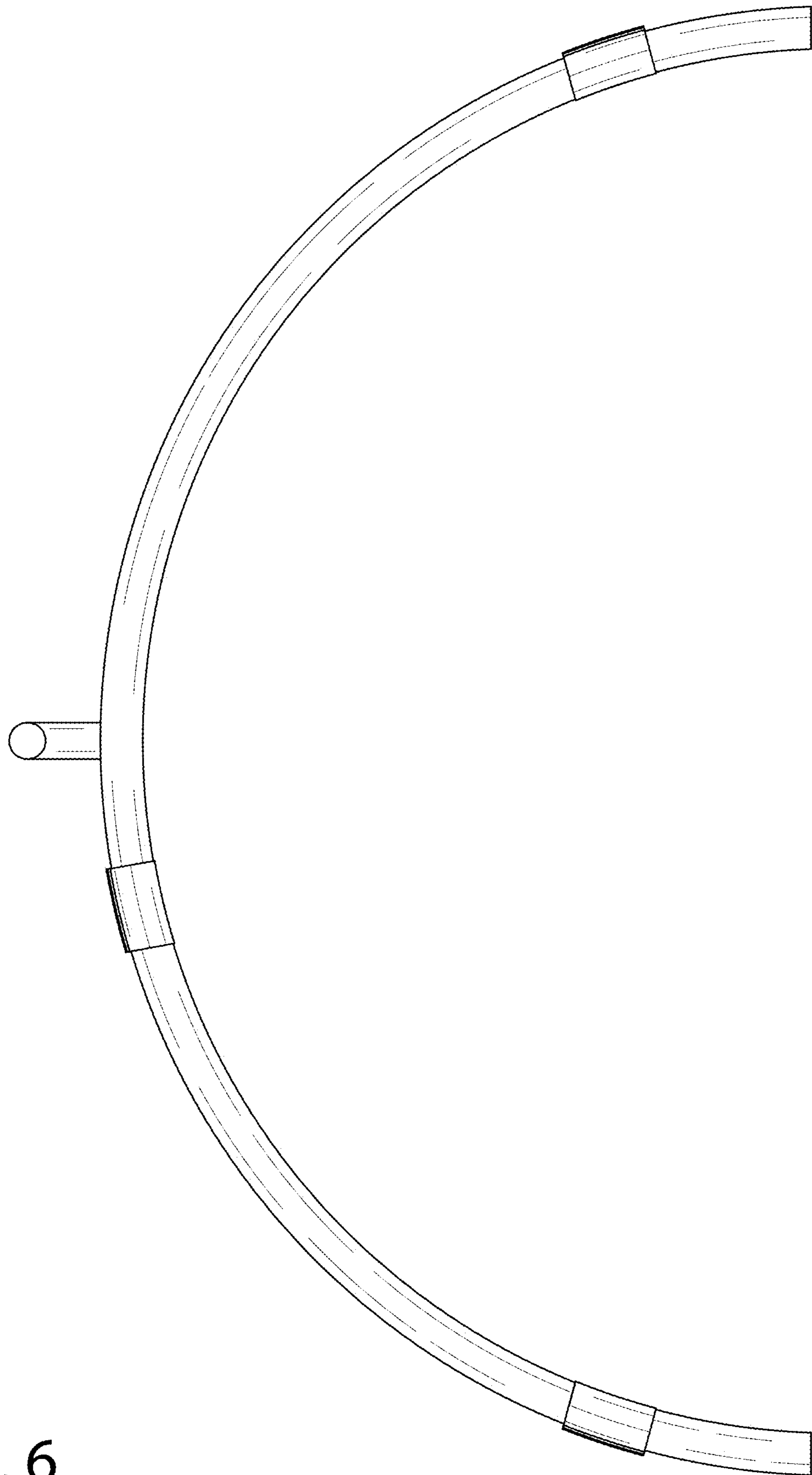


FIG. 6

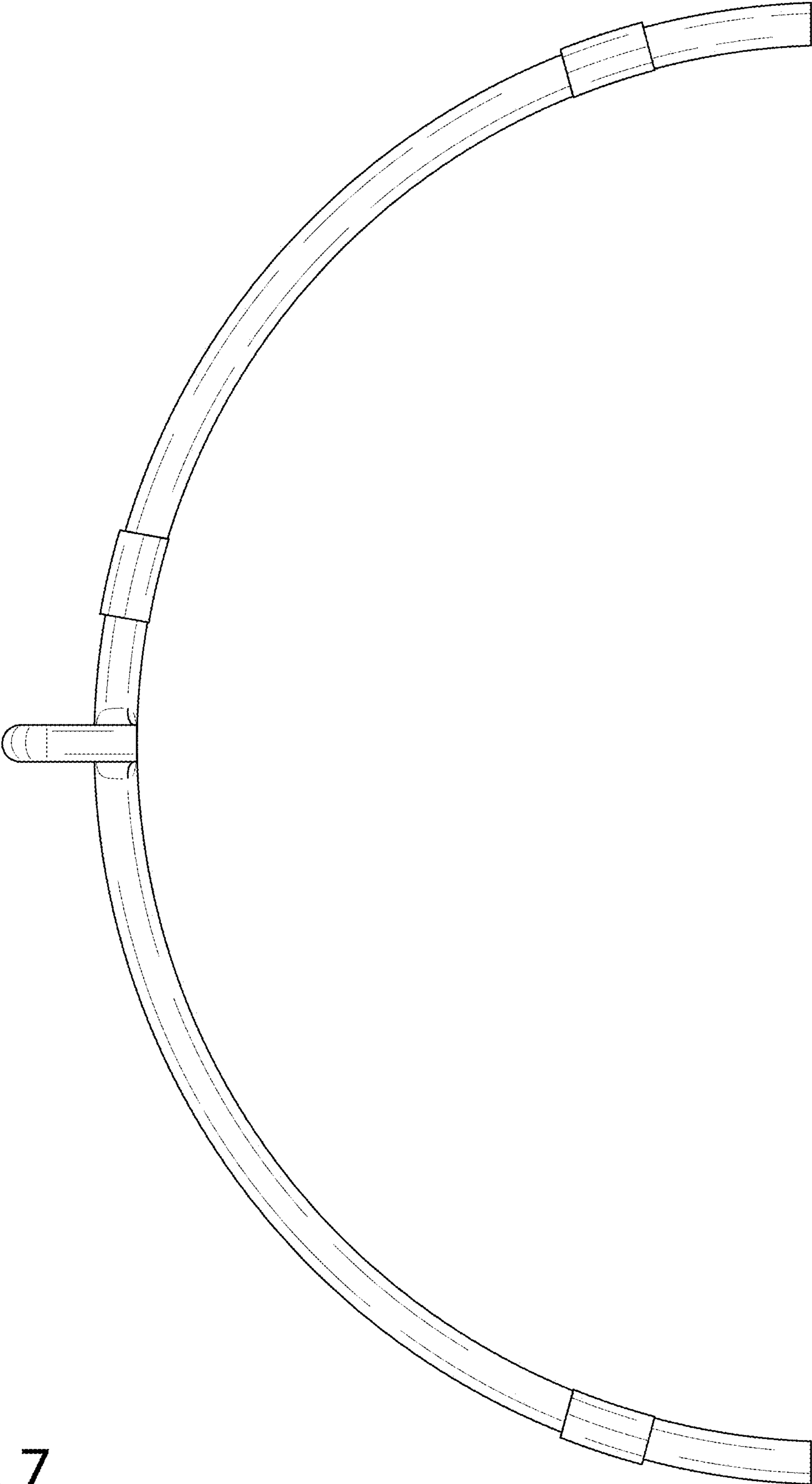


FIG. 7

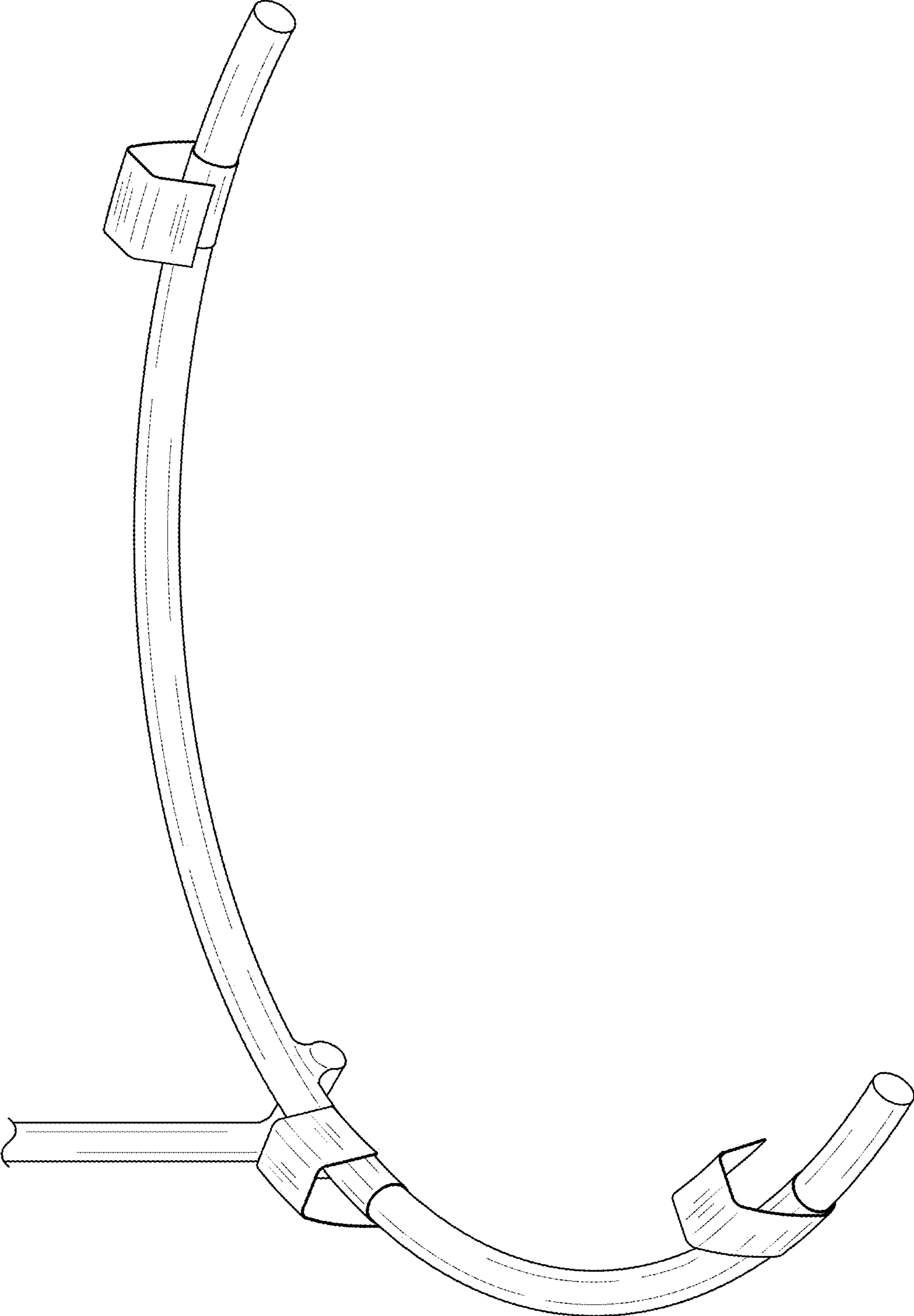


FIG. 8

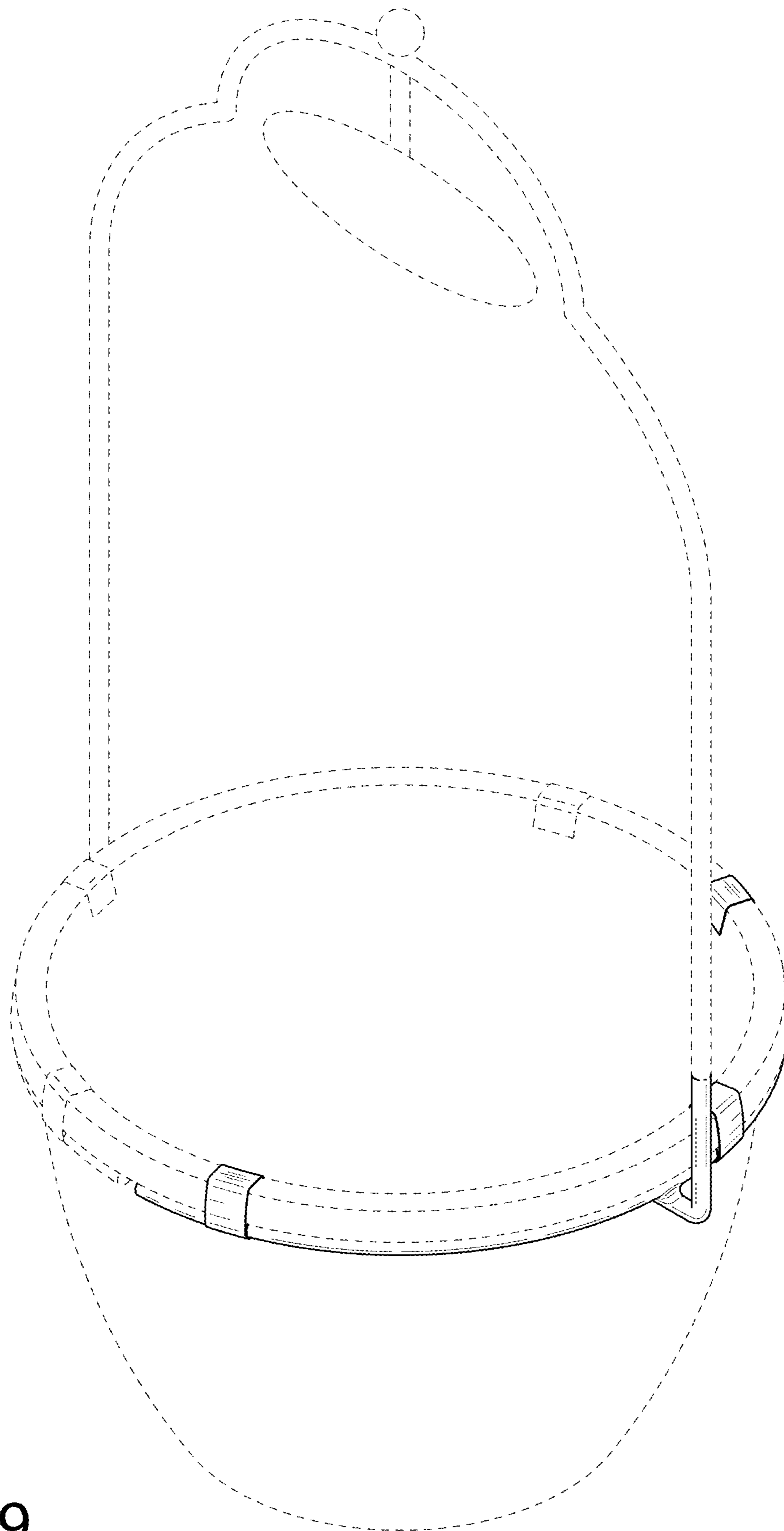


FIG. 9

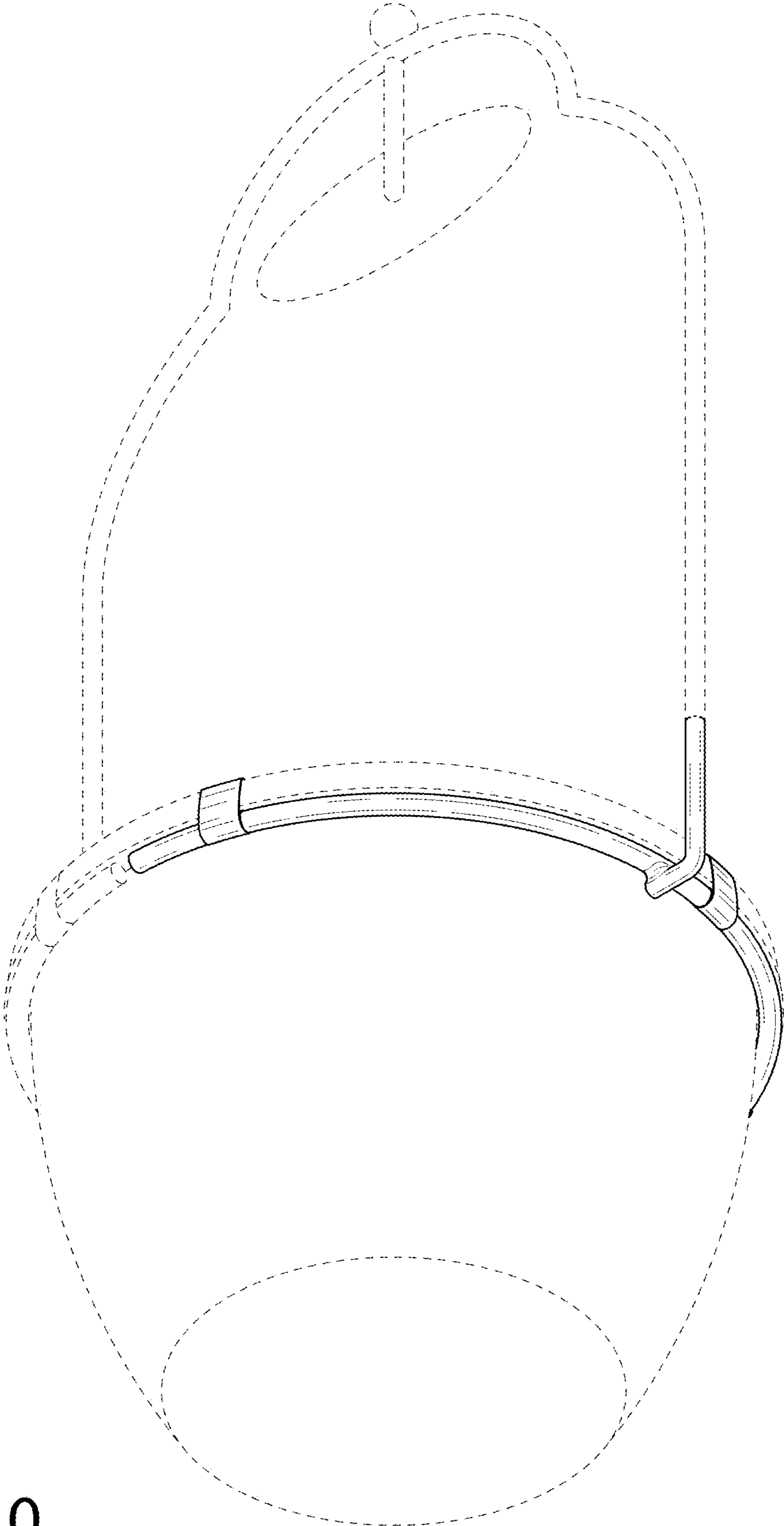


FIG. 10