



US00D897715S

(12) **United States Design Patent** (10) **Patent No.:** **US D897,715 S**
Smrstick (45) **Date of Patent:** **** Oct. 6, 2020**

(54) **CHAISE**

(71) Applicant: **Blu Dot Design & Manufacturing, Inc.**, Minneapolis, MN (US)
(72) Inventor: **Scott Smrstick**, Minneapolis, MN (US)
(73) Assignee: **Blu Dot Design & Manufacturing, Inc.**, Minneapolis, MN (US)
(**) Term: **15 Years**

(21) Appl. No.: **29/680,706**
(22) Filed: **Feb. 19, 2019**
(51) **LOC (12) Cl.** **06-01**
(52) **U.S. Cl.**
USPC **D6/377**
(58) **Field of Classification Search**
USPC D6/329, 334, 358–366, 367–376, 353, D6/335–340, 352, 377–383, 392–395, D6/710–712, 716, 716.1, 716.2, 716.3; 297/440.1, 440.21, 452.14
CPC .. A47C 11/00; A47C 4/02; A47C 4/03; A47C 4/08; A47C 4/024; A47C 4/025; A47C 4/028; A47C 5/04; A47C 7/16; A47C 5/12; A47C 7/36; A47C 7/40; A47C 9/007; A47C 13/023; A47C 5/08; A47C 17/175;

(Continued)

(56) **References Cited**

U.S. PATENT DOCUMENTS

D427,445 S * 7/2000 Gomez D6/377
D427,798 S * 7/2000 Mourgue D6/377
(Continued)

FOREIGN PATENT DOCUMENTS

CN 304491249 * 4/2017
CN 304970998 * 7/2018
(Continued)

OTHER PUBLICATIONS

Blu Dot Instagram, New Bloke Collection, Date first available May 24, 2018, [online]retrieved Jun. 8, 2020, available from internet, <https://www.instagram.com/bludot/> (Year: 2018).*

(Continued)

Primary Examiner — Keli L Hill
Assistant Examiner — Sara S Sahneh
(74) *Attorney, Agent, or Firm* — Fredrikson & Byron, P.A.

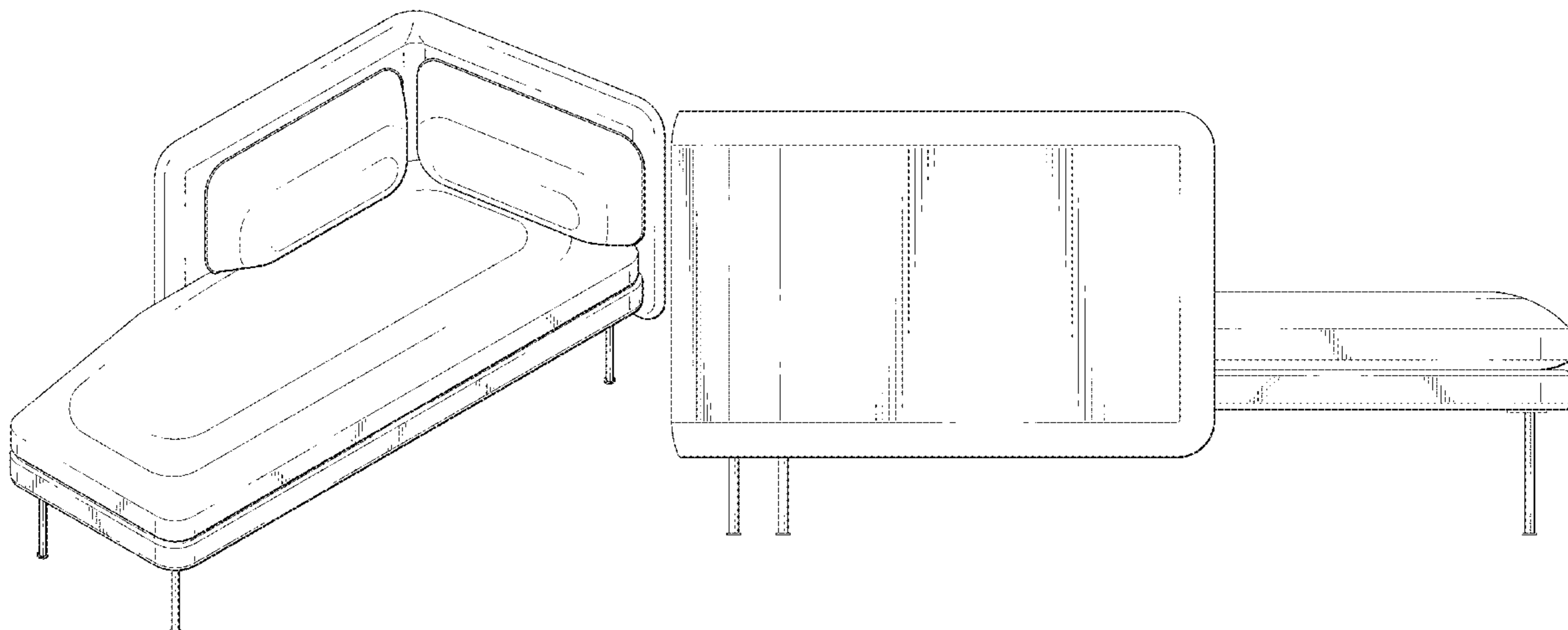
(57) **CLAIM**

Applicant claims the ornamental design for a chaise, as shown and described.

DESCRIPTION

FIG. 1 is a front upper perspective view of a first embodiment of a chaise of Applicant's design; FIG. 2 is a first side elevational view thereof; FIG. 3 is a second side elevational view thereof, the second side elevational view being opposite the first side elevational view; FIG. 4 is a front elevational view thereof; FIG. 5 is a rear elevational view thereof; FIG. 6 is a top plan view thereof; FIG. 7 is a bottom plan view thereof; FIG. 8 is a front upper perspective view of a second embodiment of a chaise of Applicant's design, the second embodiment being a mirror image of the first embodiment; FIG. 9 is a first side elevational view thereof; FIG. 10 is a second side elevational view thereof, the second side elevational view being opposite the first side elevational view; FIG. 11 is a front elevational view thereof; FIG. 12 is a rear elevational view thereof; FIG. 13 is a top plan view thereof; and, FIG. 14 is a bottom plan view thereof. Where included, broken lines showing environment or structure are for illustrative purposes only and form no part of the claimed design.

1 Claim, 12 Drawing Sheets



- (58) **Field of Classification Search**
 CPC A47C 13/005; A47C 11/005; A47C 4/021;
 A47B 3/06; A47B 7/0075; F16B 5/0012
 See application file for complete search history.

(56) **References Cited**

U.S. PATENT DOCUMENTS

D484,712 S *	1/2004	Gomez	D6/377
D699,963 S *	2/2014	Hidalgo	D6/381
D712,674 S *	9/2014	Ciani	D6/377
D725,398 S *	3/2015	Lee	D6/378
D727,052 S *	4/2015	Lee	D6/378
D736,535 S *	8/2015	Foersom	D6/377
D818,733 S *	5/2018	Hiyoshi	D6/377
D821,775 S *	7/2018	Levine	D6/377
D834,849 S *	12/2018	Binfare'	D6/378
D863,812 S *	10/2019	Citterio	D6/377
2014/0312661 A1 *	10/2014	Behar	A47B 83/021 297/135

FOREIGN PATENT DOCUMENTS

CN	305665636	*	8/2019
CN	305665639	*	8/2019
EM	001231815-0010	*	8/2010
EM	005719515-0006	*	10/2018
EM	006370813-0001	*	4/2019

OTHER PUBLICATIONS

Blu Dot Catalog No. 16, Designed in Minneapolis, Minnesota, published 2015, 44 pgs.
 Blu Dot Catalog No. 17, Designed in Minneapolis, Minnesota, published 2015, 52 pgs.
 Blu Dot Catalog No. 18, Designed in Minneapolis, Minnesota, published 2016, 51 pgs.
 Blu Dot Catalog No. 19, Designed in Minneapolis, Minnesota, published 2016, 54 pgs.
 Blu Dot Catalog No. 21, Cat 17F—Book A, Designed in Minneapolis, Minnesota, Applicant believes reference was published and available more than one year prior to the filing date of the instant application, 51 pgs.
 Blu Dot Catalog No. 21, Cat 17F—Book B, Designed in Minneapolis, Minnesota, Applicant believes reference was published and available more than one year prior to the filing date of the instant application, 51 pgs.
 Blu Dot Catalog No. 22, Cat 18S—Book B, Designed in Minneapolis, Minnesota, Applicant believes reference was published and available more than one year prior to the filing date of the instant application, 33 pgs.
 Blu Dot Catalog No. 22, Cat18Sm_RGB, Designed in Minneapolis, Minnesota, Applicant believes reference was published and available more than one year prior to the filing date of the instant application, 33 pgs.

* cited by examiner

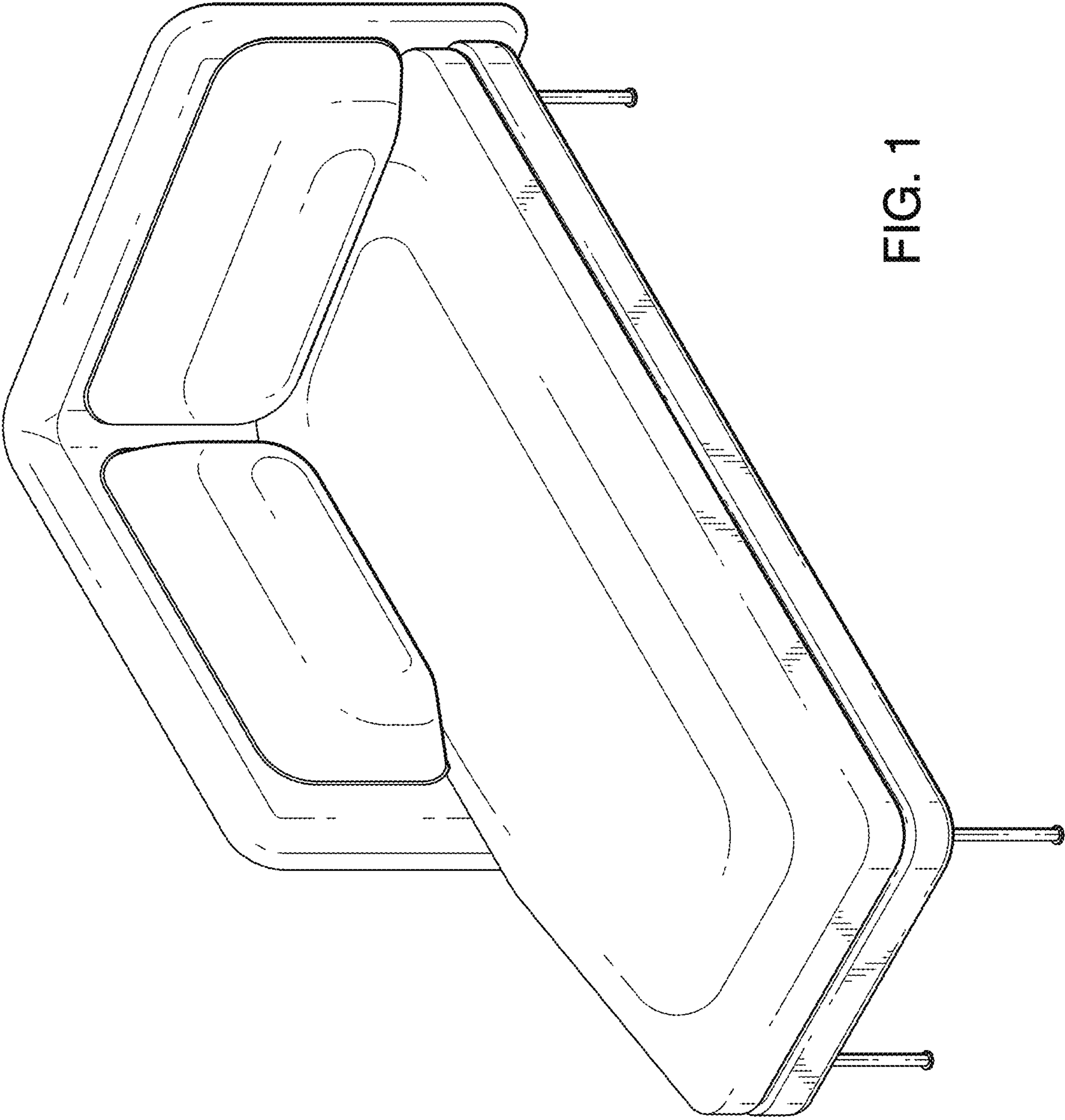


FIG. 1

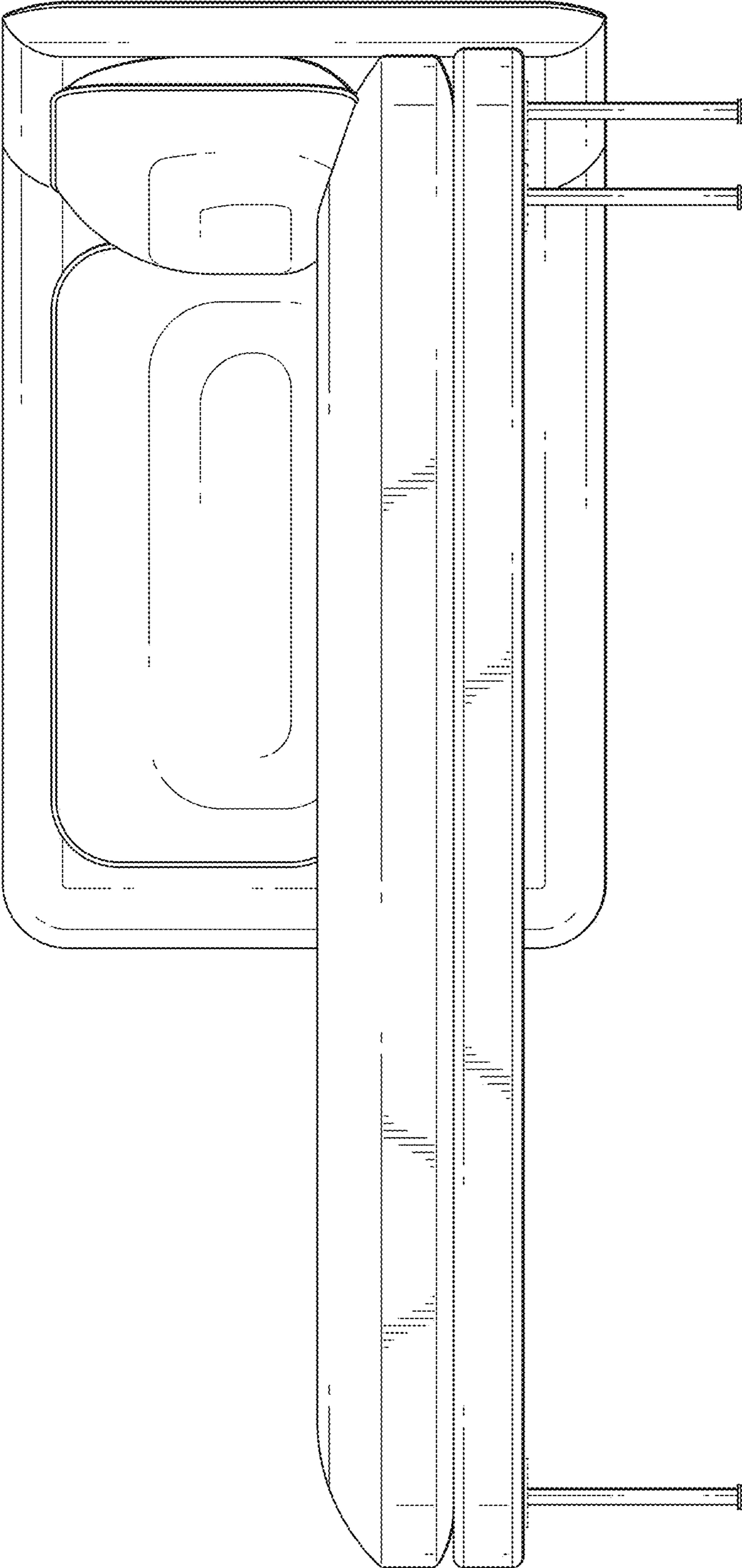


FIG. 2

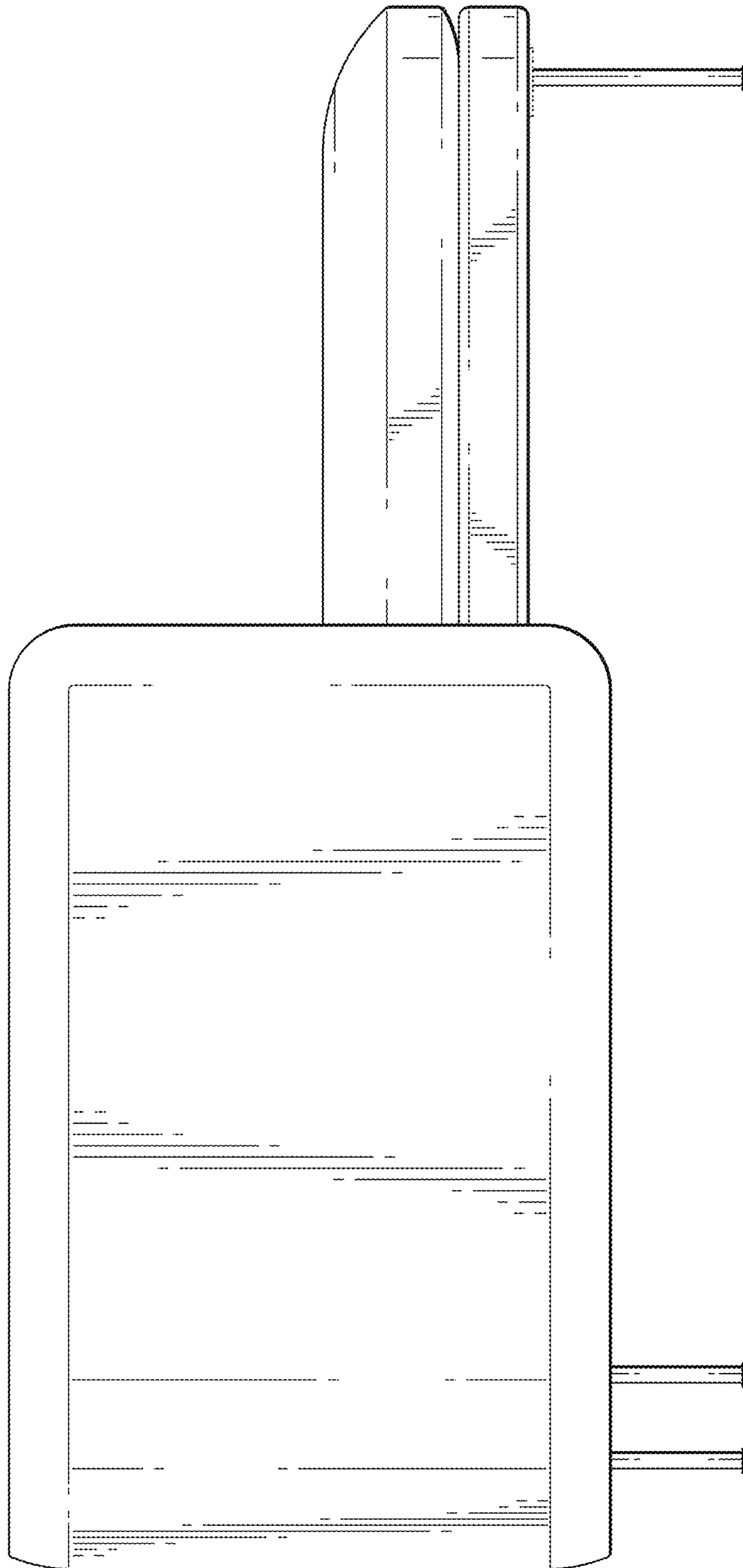


FIG. 3

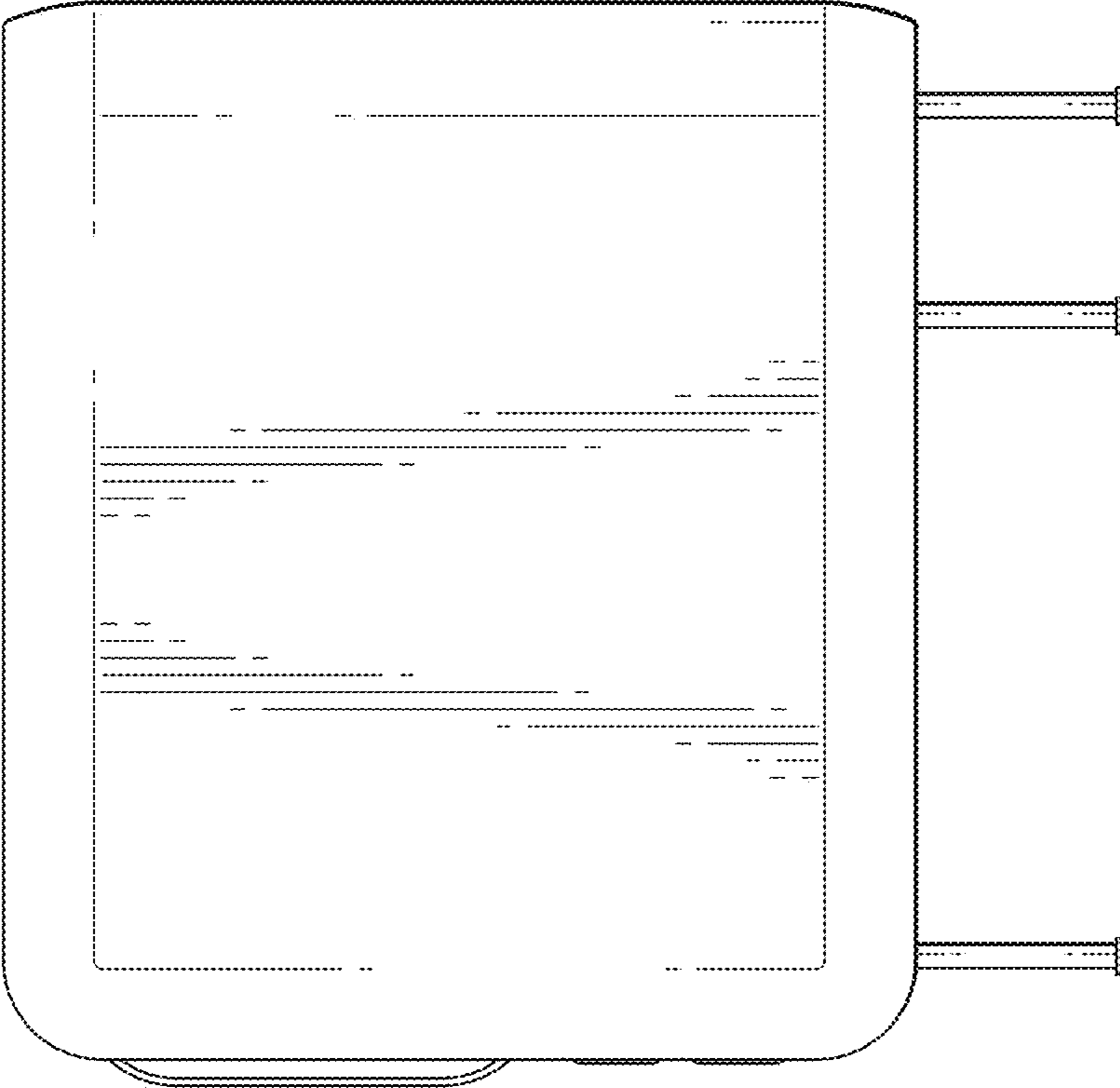


FIG. 5

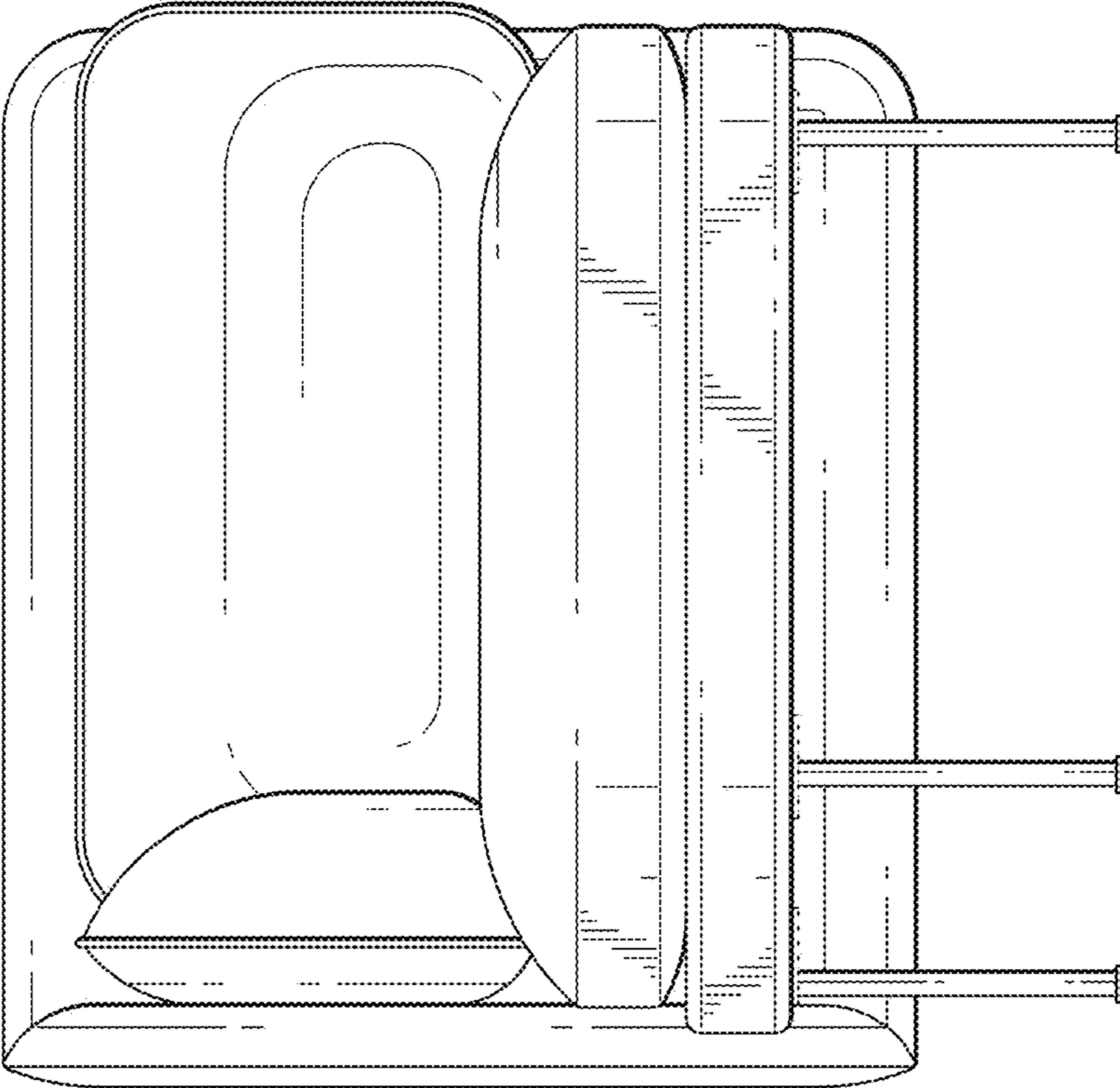


FIG. 4

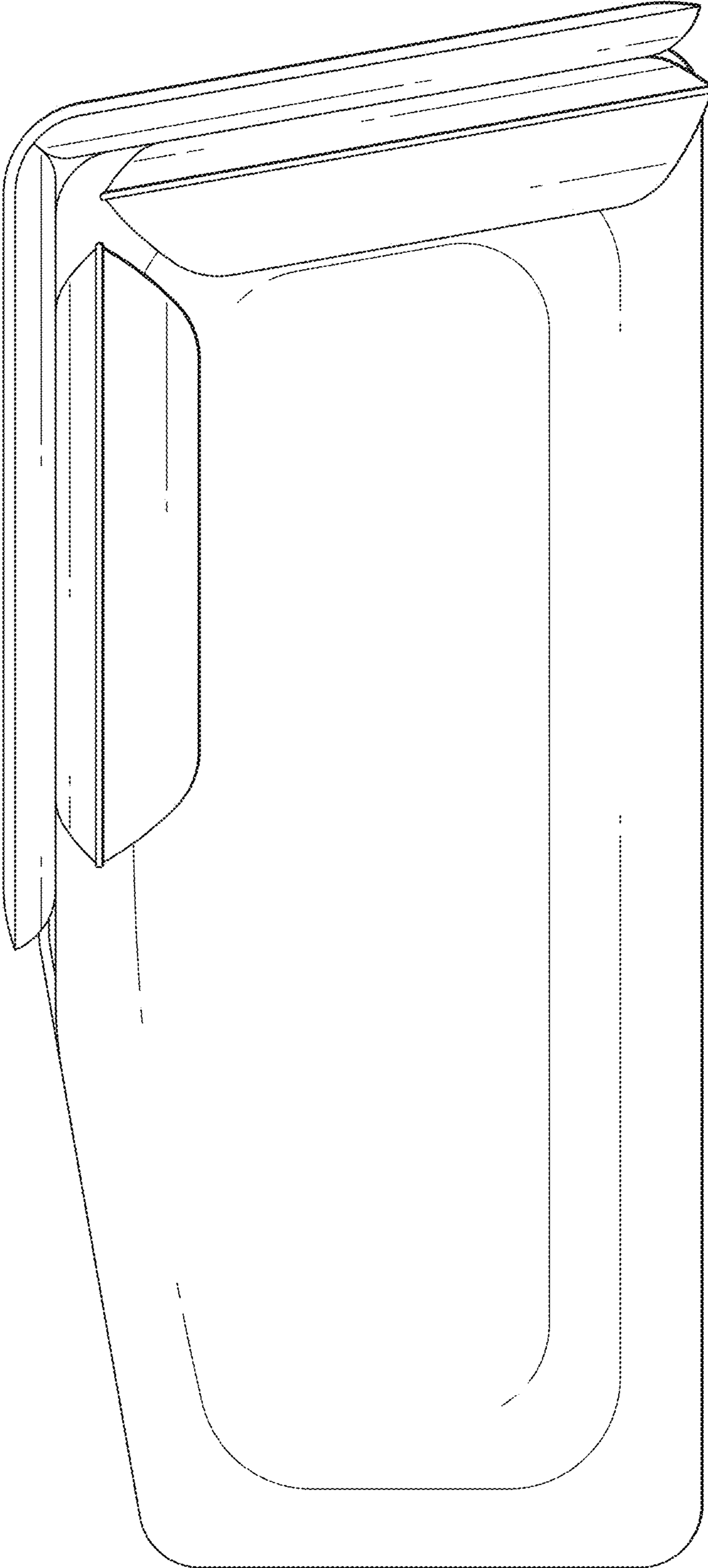


FIG. 6

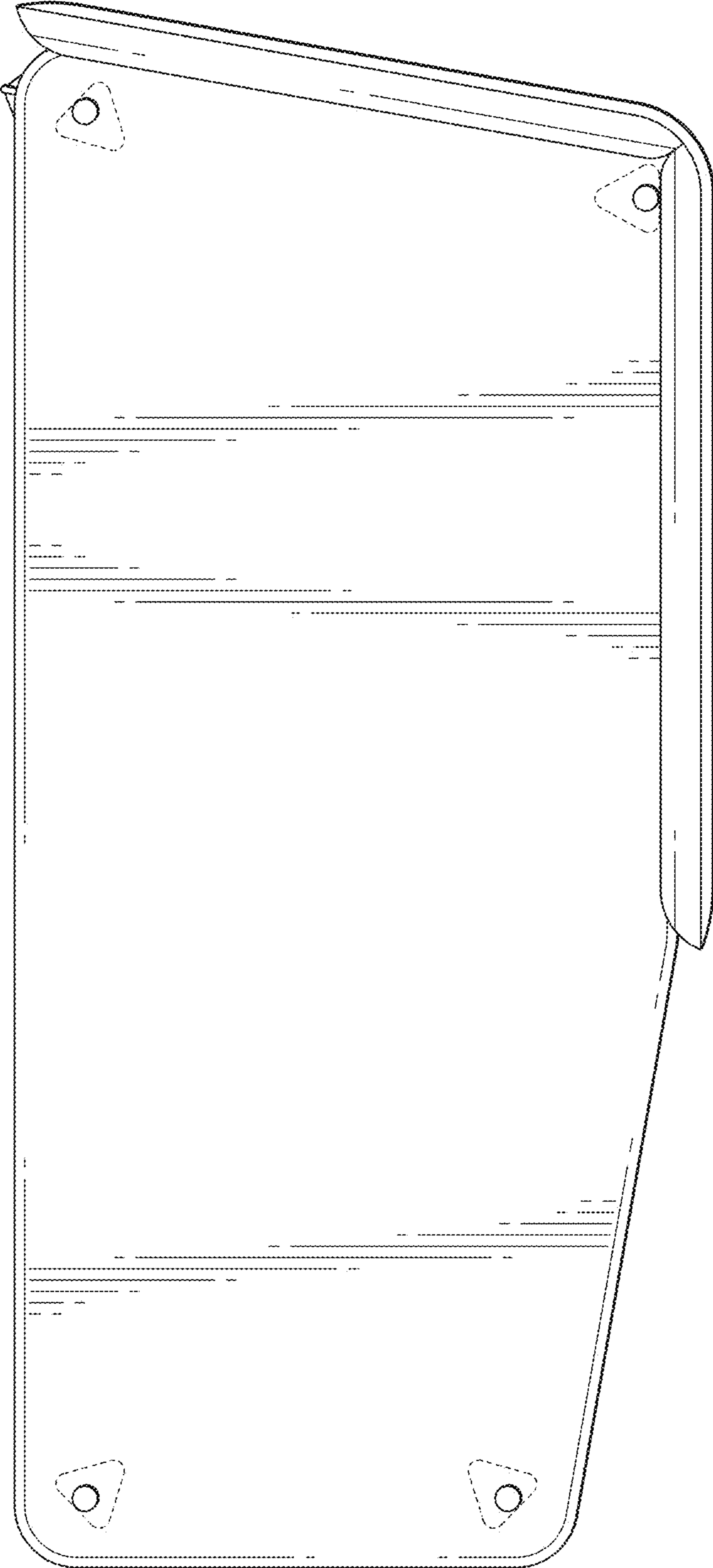


FIG. 7

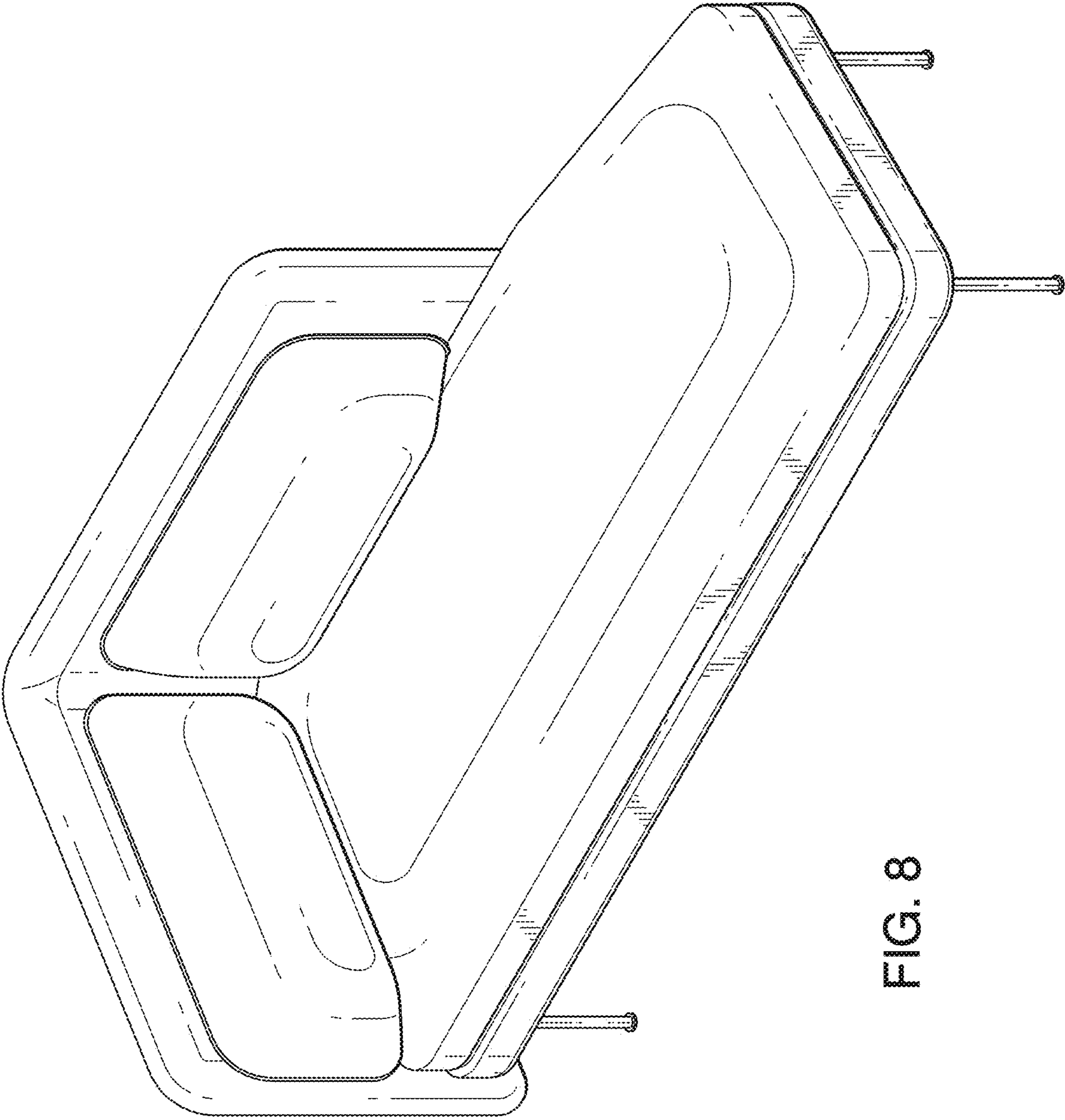


FIG. 8

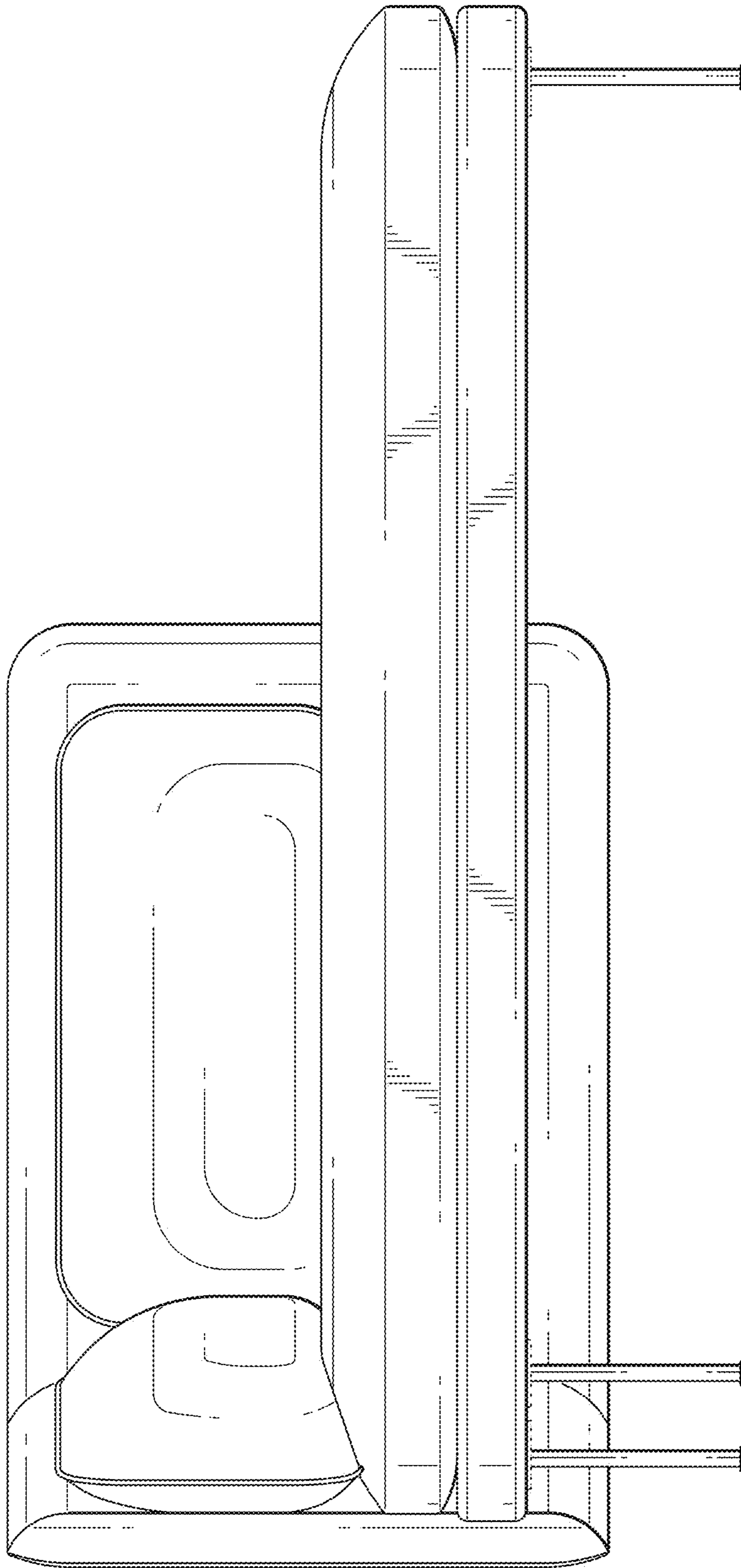


FIG. 9

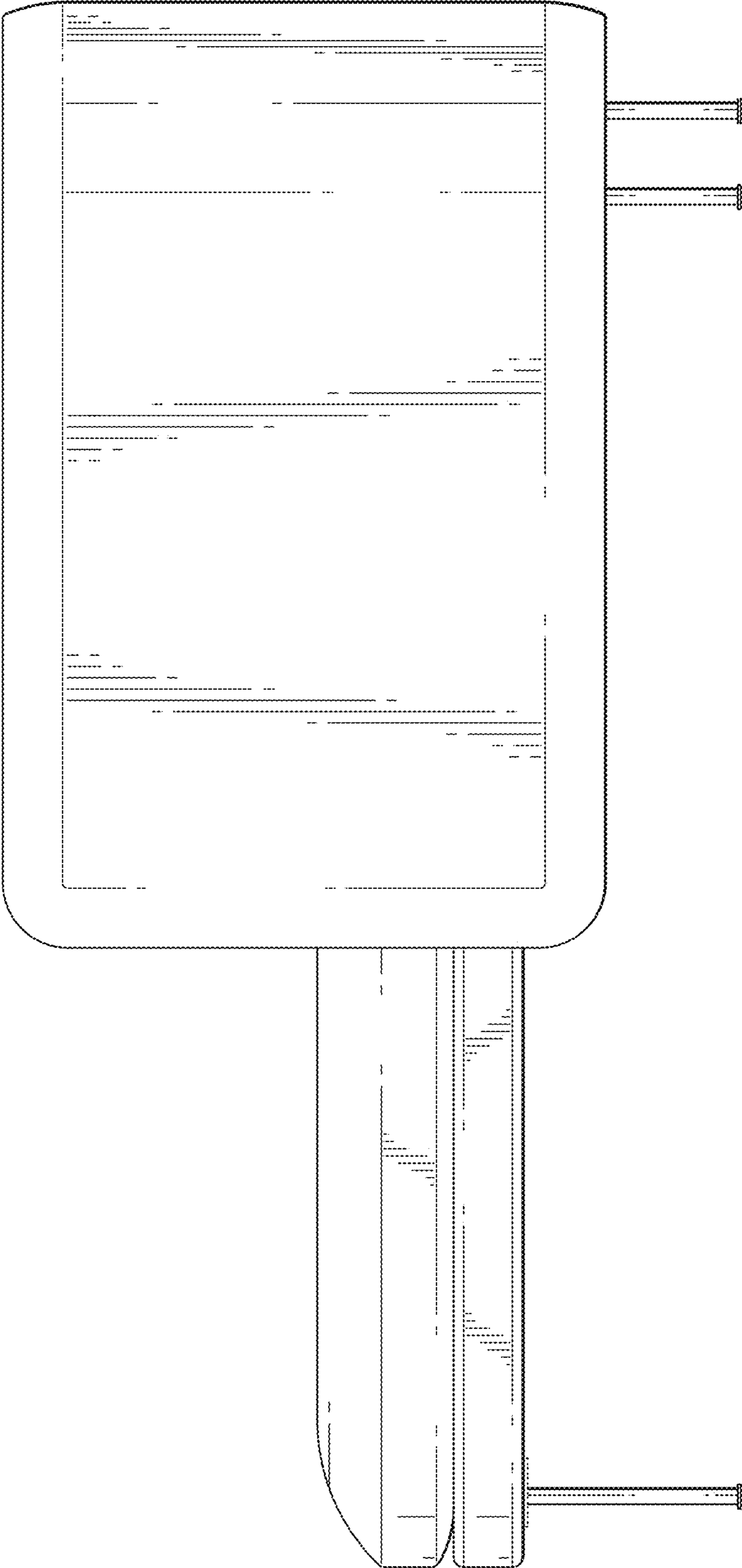


FIG. 10

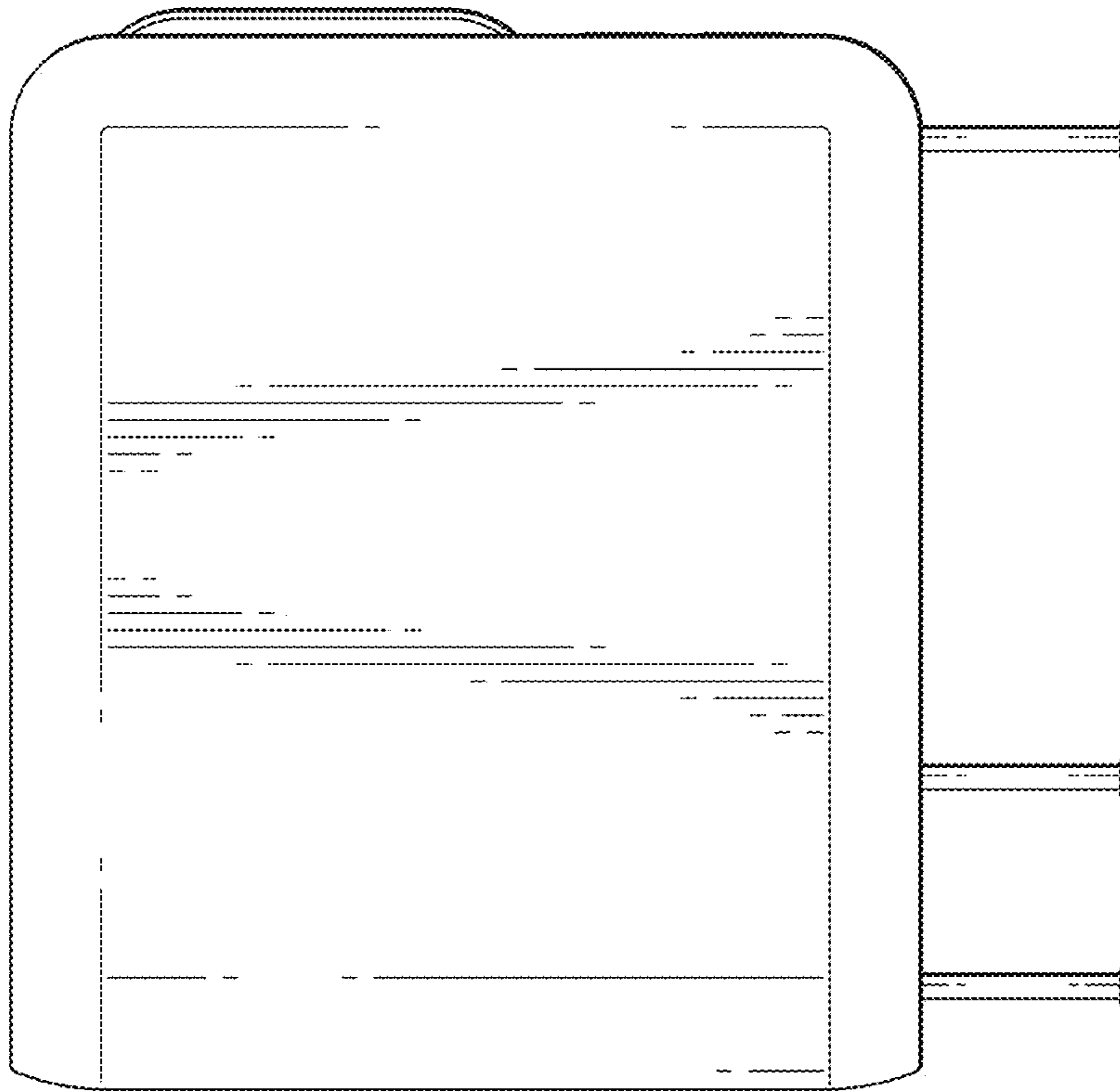


FIG. 12

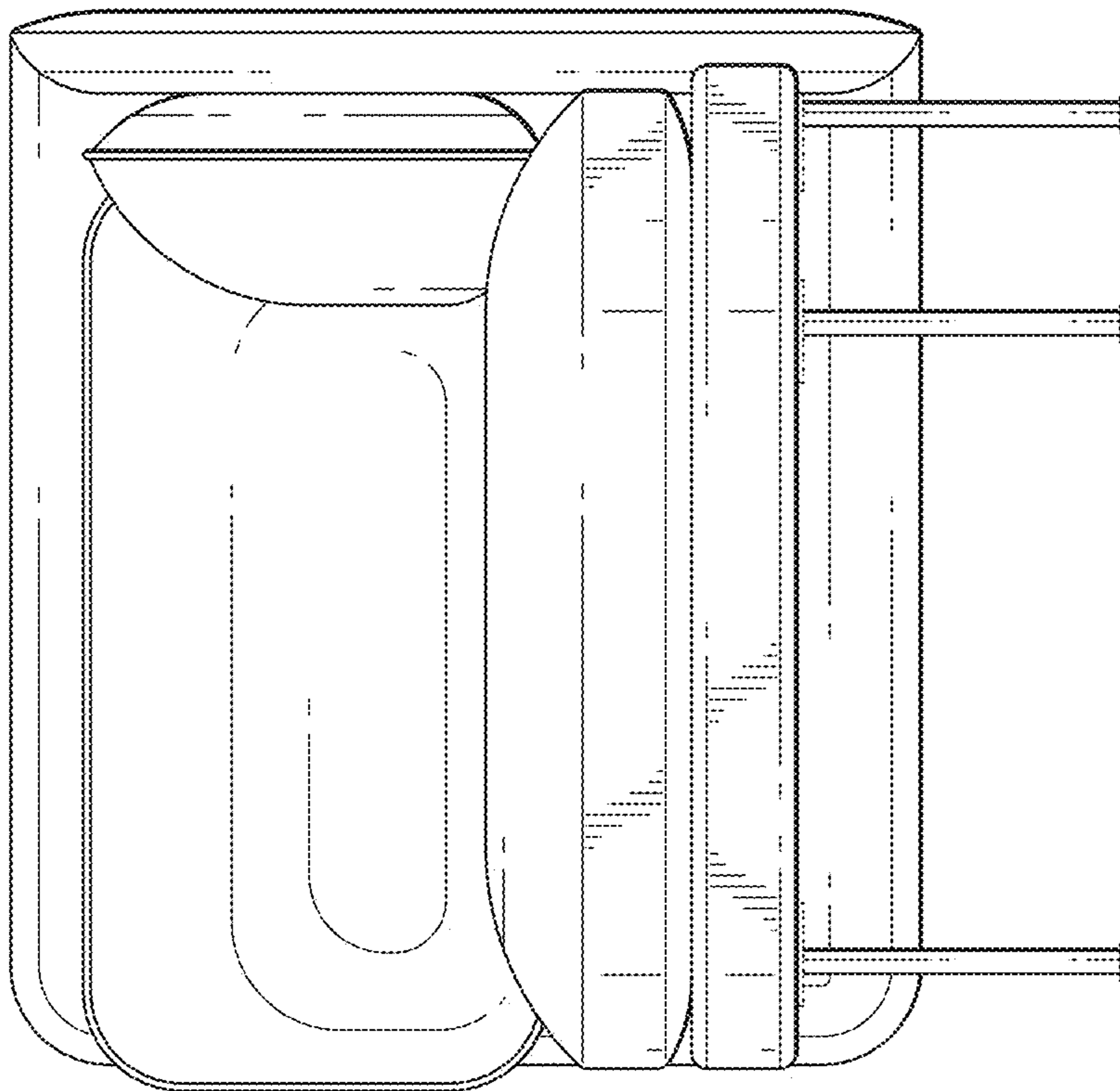


FIG. 11

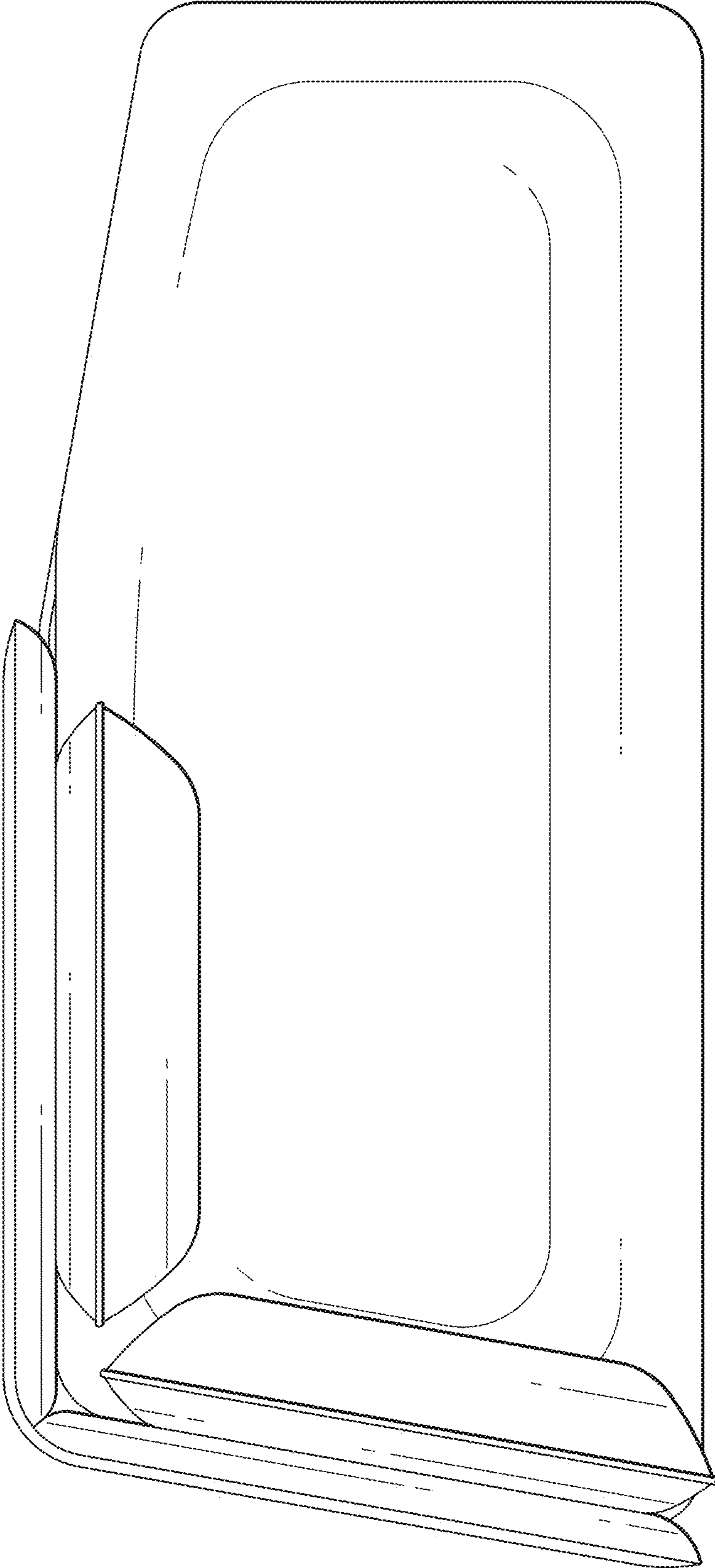


FIG. 13

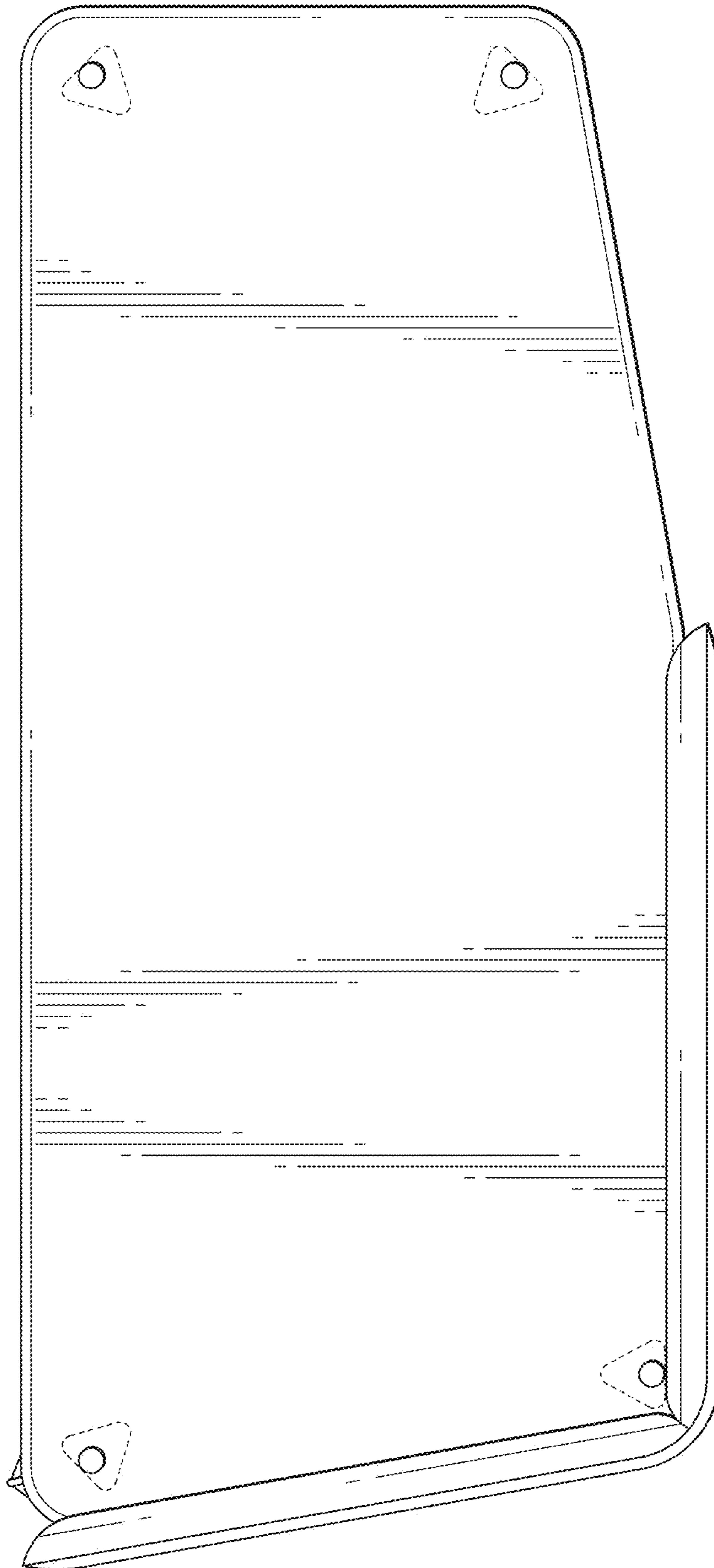


FIG. 14