

US00D897711S

(12) **United States Design Patent** (10) **Patent No.:** **US D897,711 S**
Parcon (45) **Date of Patent:** **** Oct. 6, 2020**

(54) **ADJUSTABLE CHAIR**
(71) Applicant: **ImportLA, LLC**, Baldwin Park, CA (US)
(72) Inventor: **Jadeanne Parcon**, Corona, CA (US)
(73) Assignee: **IMPORTLA, LLC**, Baldwin Park, CA (US)

6,820,929 B2 * 11/2004 Edrich B60N 2/181
297/61
D565,315 S * 4/2008 Nielsen D6/367
7,562,402 B1 * 7/2009 Calloway A47C 17/132
4/572.1
D602,269 S * 10/2009 Jamison D6/336
D609,483 S * 2/2010 Chen D6/367
D613,534 S * 4/2010 Nordstrom A61G 13/12
D6/367

(Continued)

(**) Term: **15 Years**

Primary Examiner — Kevin K Rudzinski

Assistant Examiner — Paul D Bohannon

(21) Appl. No.: **29/663,031**

(74) *Attorney, Agent, or Firm* — Hankin Patent Law, APC; Kevin Schraven; Anooj Patel

(22) Filed: **Sep. 11, 2018**

(51) **LOC (12) Cl.** **06-01**

(57) **CLAIM**

(52) **U.S. Cl.**
USPC **D6/367**

The ornamental design for an adjustable chair, as shown and described.

(58) **Field of Classification Search**
USPC D6/335, 360, 364, 367, 716.4
CPC A45D 44/02; A47C 1/0242; A47C 1/029;
A47C 1/04; A47C 1/06; A47C 1/11;
A47C 13/00; A47C 17/04; A47C 7/004;
A47C 7/40; A47C 7/506; A61G 13/12;
A61G 13/1225; A61G 15/02; A61G
15/12; A61G 2200/34; B64D 11/0647;
B64D 11/064; B64D 11/06

DESCRIPTION

See application file for complete search history.

FIG. 1 is a top perspective view of an adjustable chair in an upright position, showing my new design.
FIG. 2 is a side elevational view thereof.
FIG. 3 is a front elevational view thereof.
FIG. 4 is a back elevational view thereof.
FIG. 5 is a top plan view thereof.
FIG. 6 is a top perspective view of the adjustable chair.
FIG. 7 is a top perspective view of the adjustable chair in a partially reclined position.
FIG. 8 is a top perspective view of the adjustable chair in a partially reclined position with the leg portions elevated.
FIG. 9 is a top perspective view of the adjustable chair in a fully reclined position; and,
FIG. 10 is a top perspective view of the adjustable chair in a fully reclined position and with the foot pad and head pad extended.

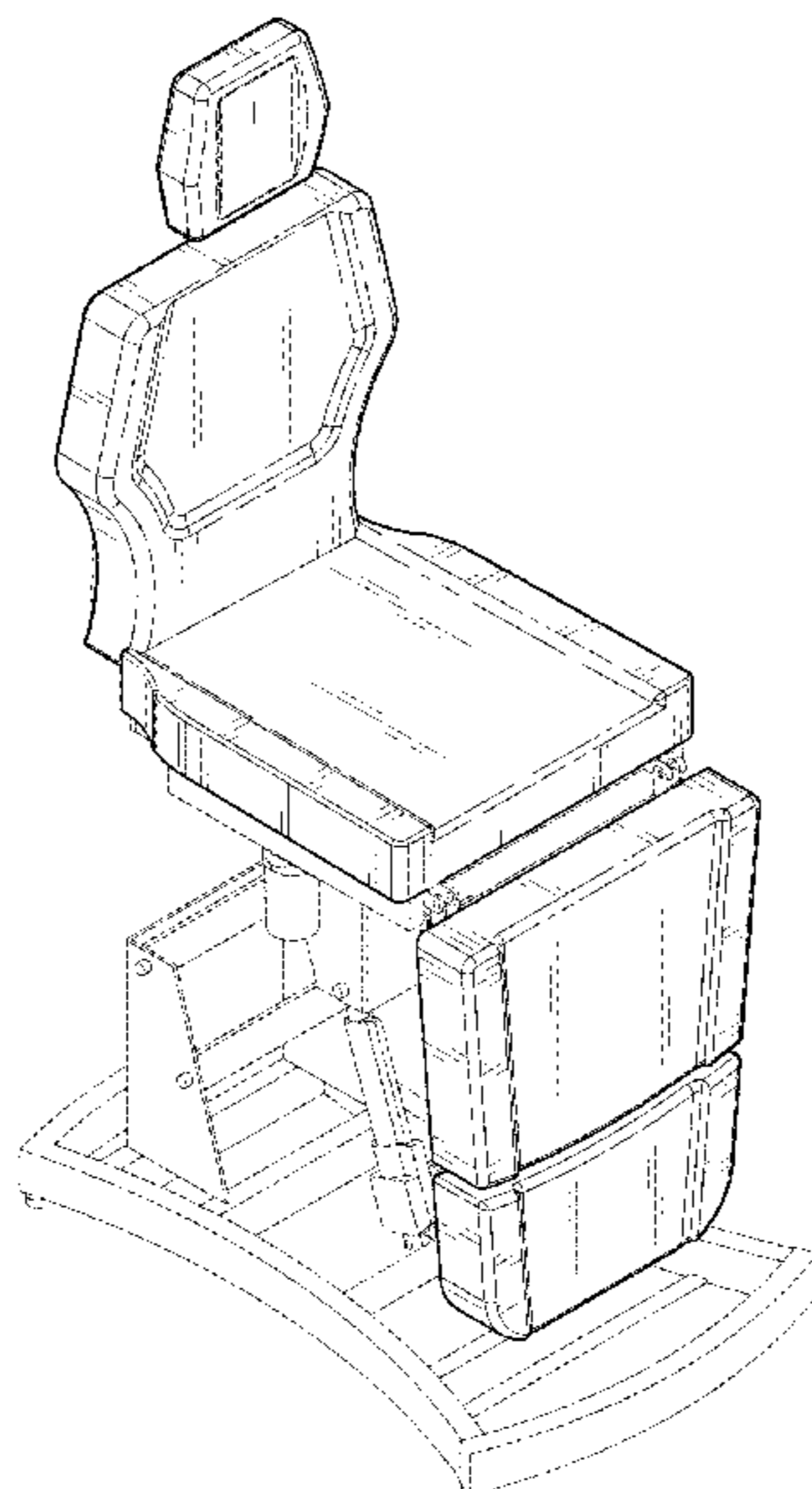
The broken lines showing the chair base and portions of the article represent unclaimed subject matter and form no part of the claimed design.

(56) **References Cited**

U.S. PATENT DOCUMENTS

1,168,071 A * 1/1916 Holzbauer A47C 1/06
297/80
D179,969 S * 4/1957 Fidel D6/360
3,131,967 A * 5/1964 Spaulding A47C 7/74
297/180.14
3,140,892 A * 7/1964 Shubart A47C 1/06
297/80
3,934,928 A * 1/1976 Johnson A61G 15/02
297/71
D379,409 S * 5/1997 Schwaegerle D6/360

1 Claim, 10 Drawing Sheets



(56)

References Cited

U.S. PATENT DOCUMENTS

7,735,922 B2 * 6/2010 Frey B64D 11/06
297/284.11
D650,603 S * 12/2011 Petruccelli D6/364
D651,423 S * 1/2012 Petruccelli D6/364
D678,686 S * 3/2013 Mizuno D6/335
8,465,091 B2 * 6/2013 Su A47C 17/04
297/108
9,597,243 B1 * 3/2017 Helmick A61G 15/02
9,649,239 B2 * 5/2017 Reyes A61G 13/06
10,292,501 B1 * 5/2019 Brown A47C 1/04
D852,531 S * 7/2019 Morgan D6/367
D873,577 S * 1/2020 Chen D6/367

* cited by examiner

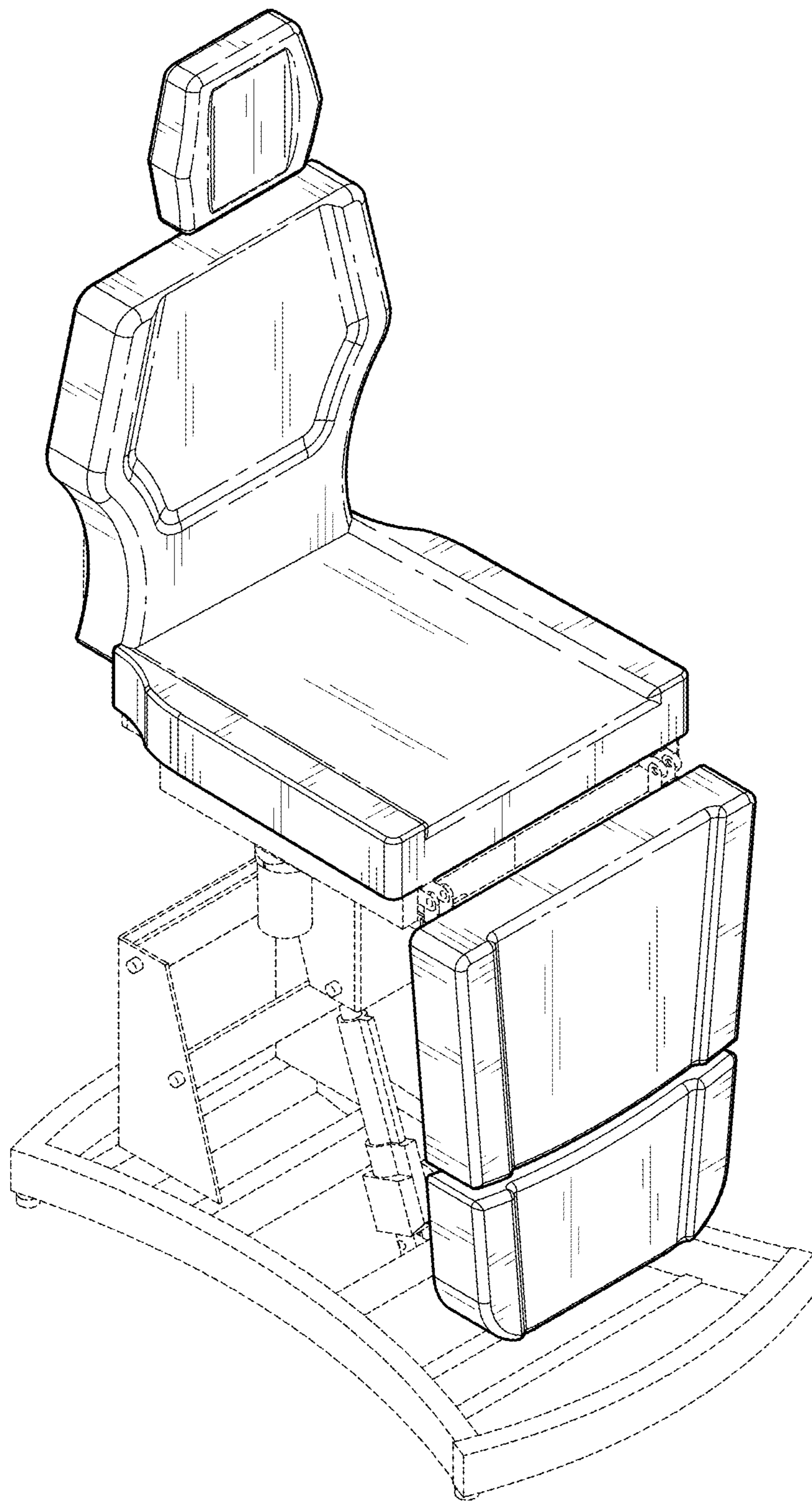


FIG. 1

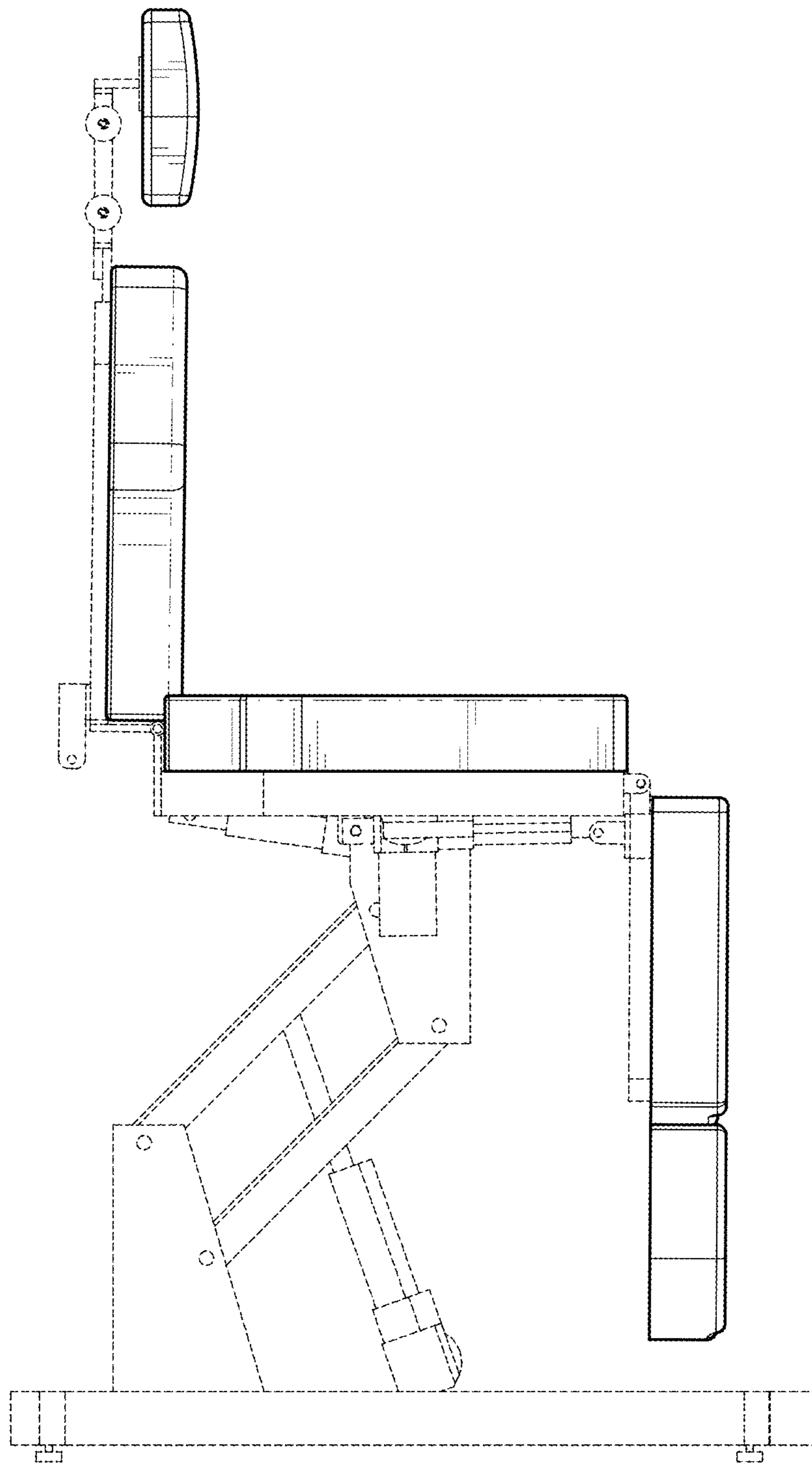


FIG. 2

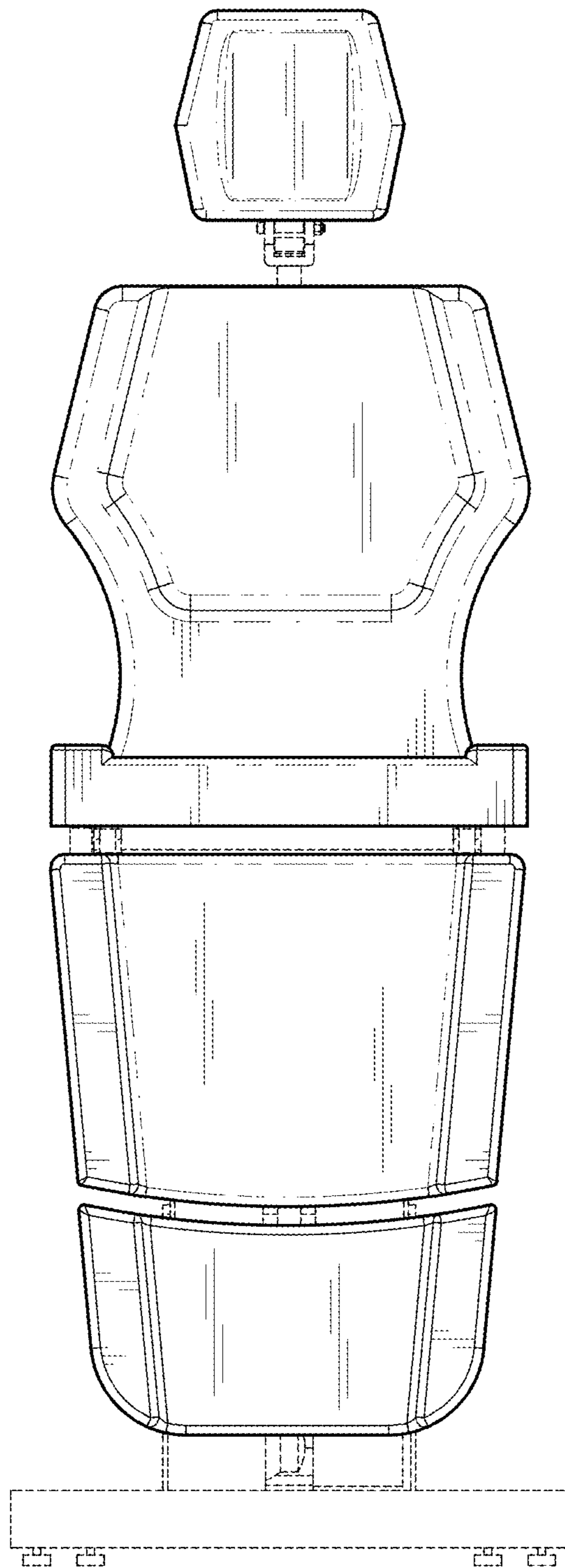


FIG. 3

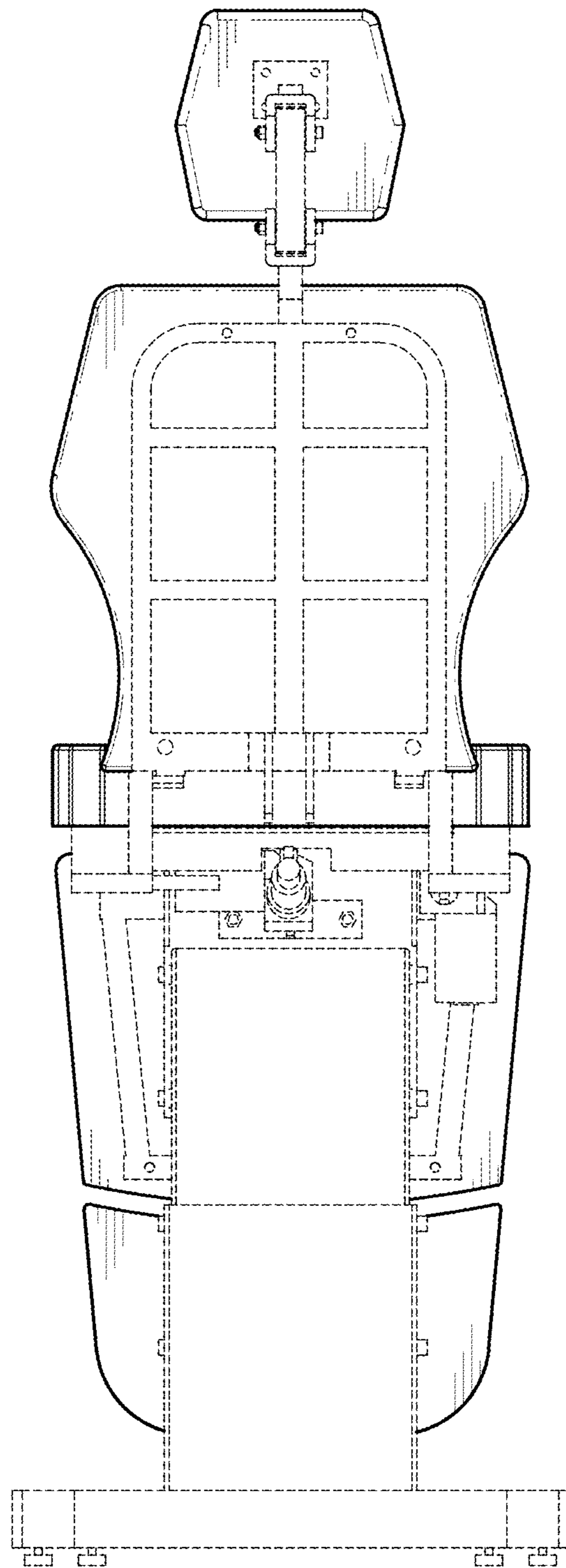


FIG. 4

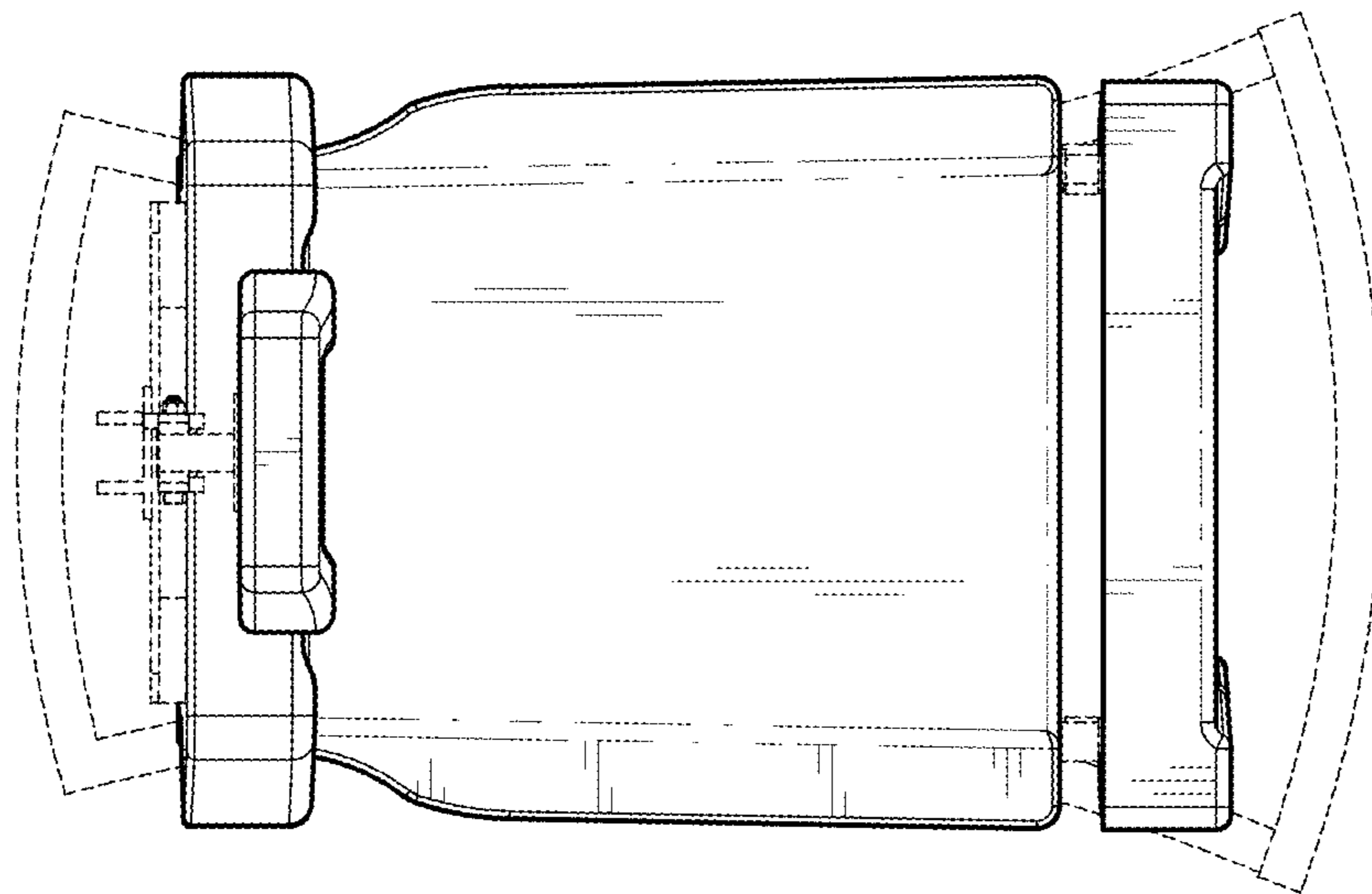


FIG. 5

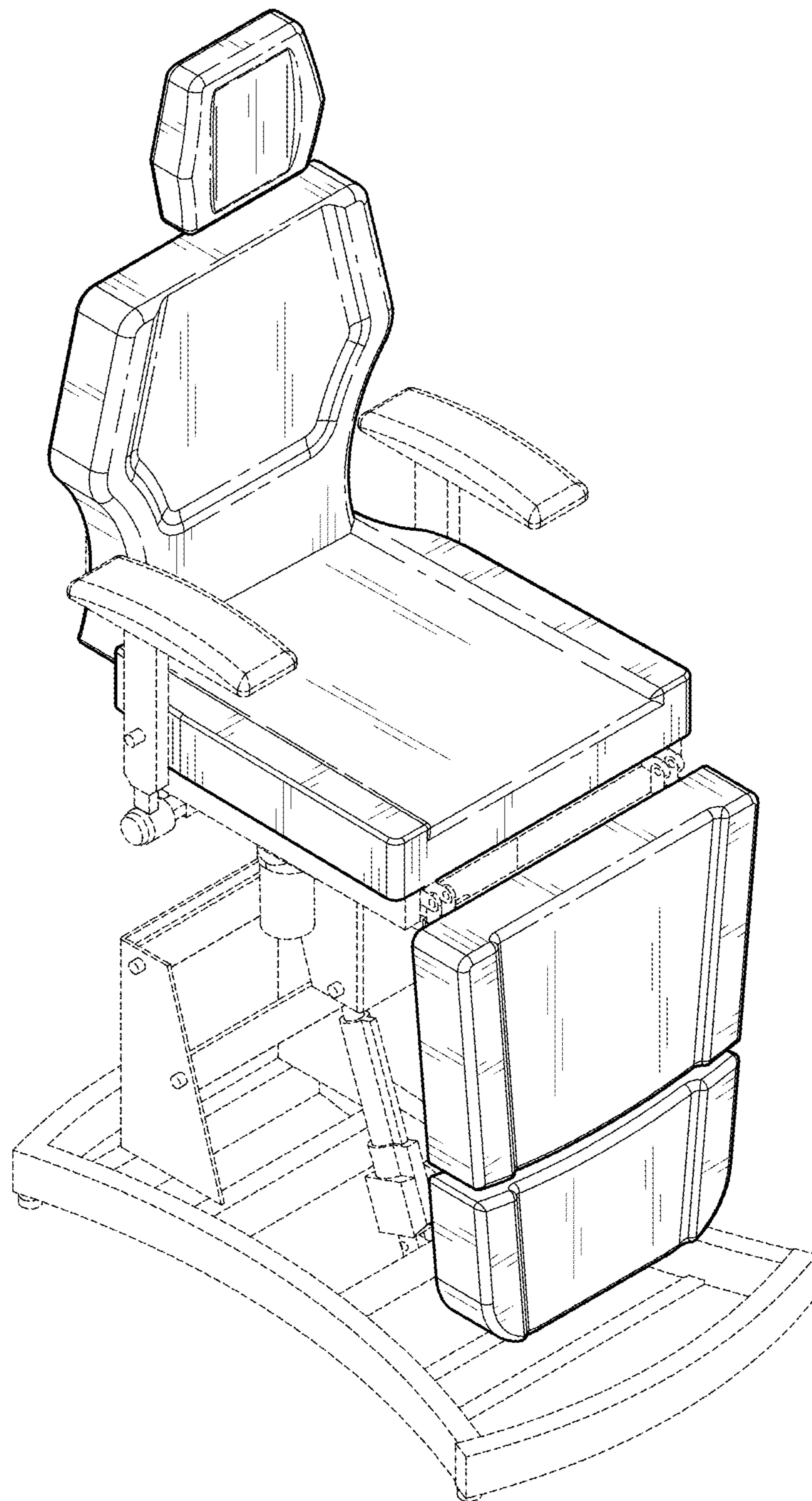


FIG. 6

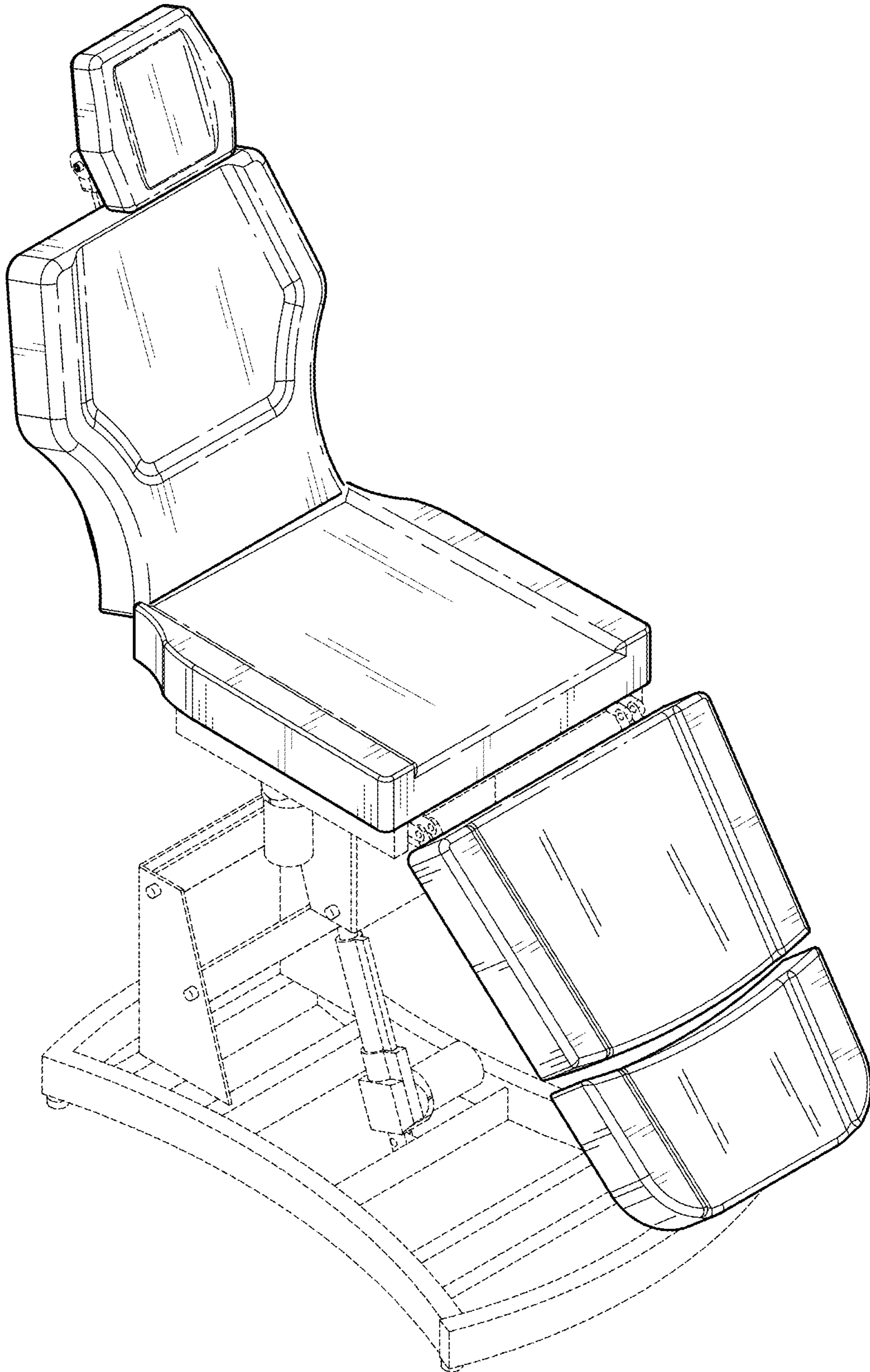


FIG. 7

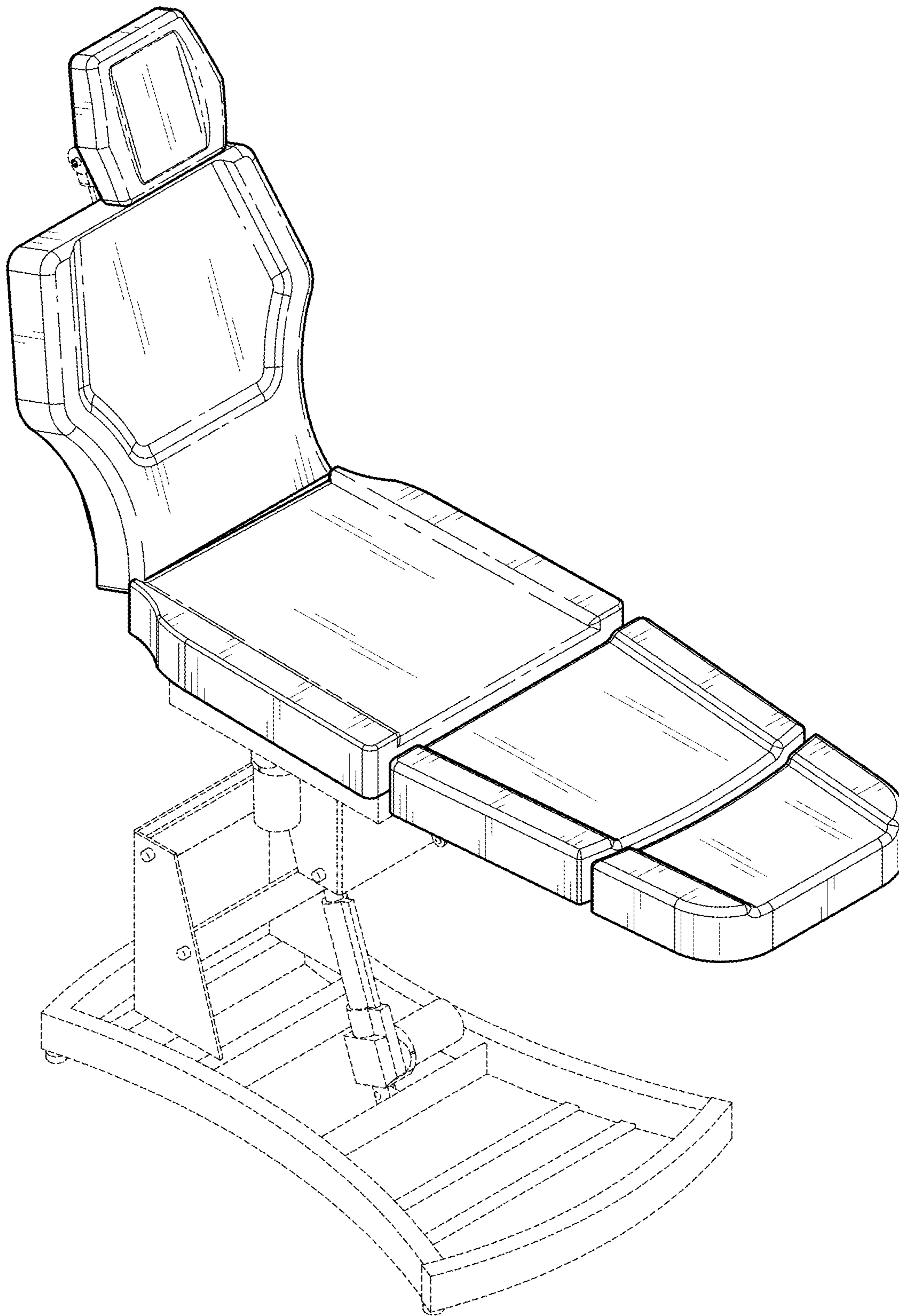


FIG. 8

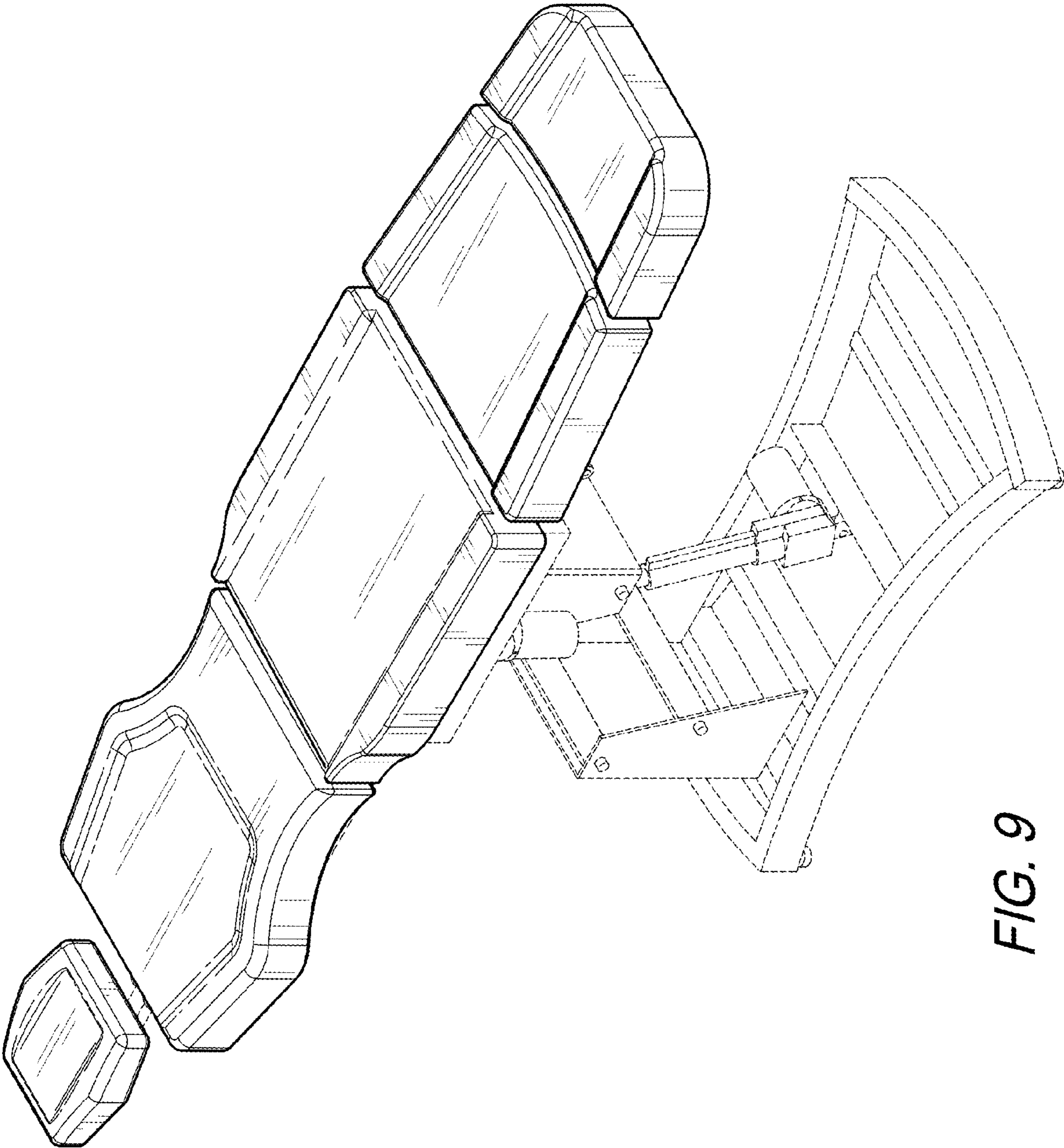


FIG. 9

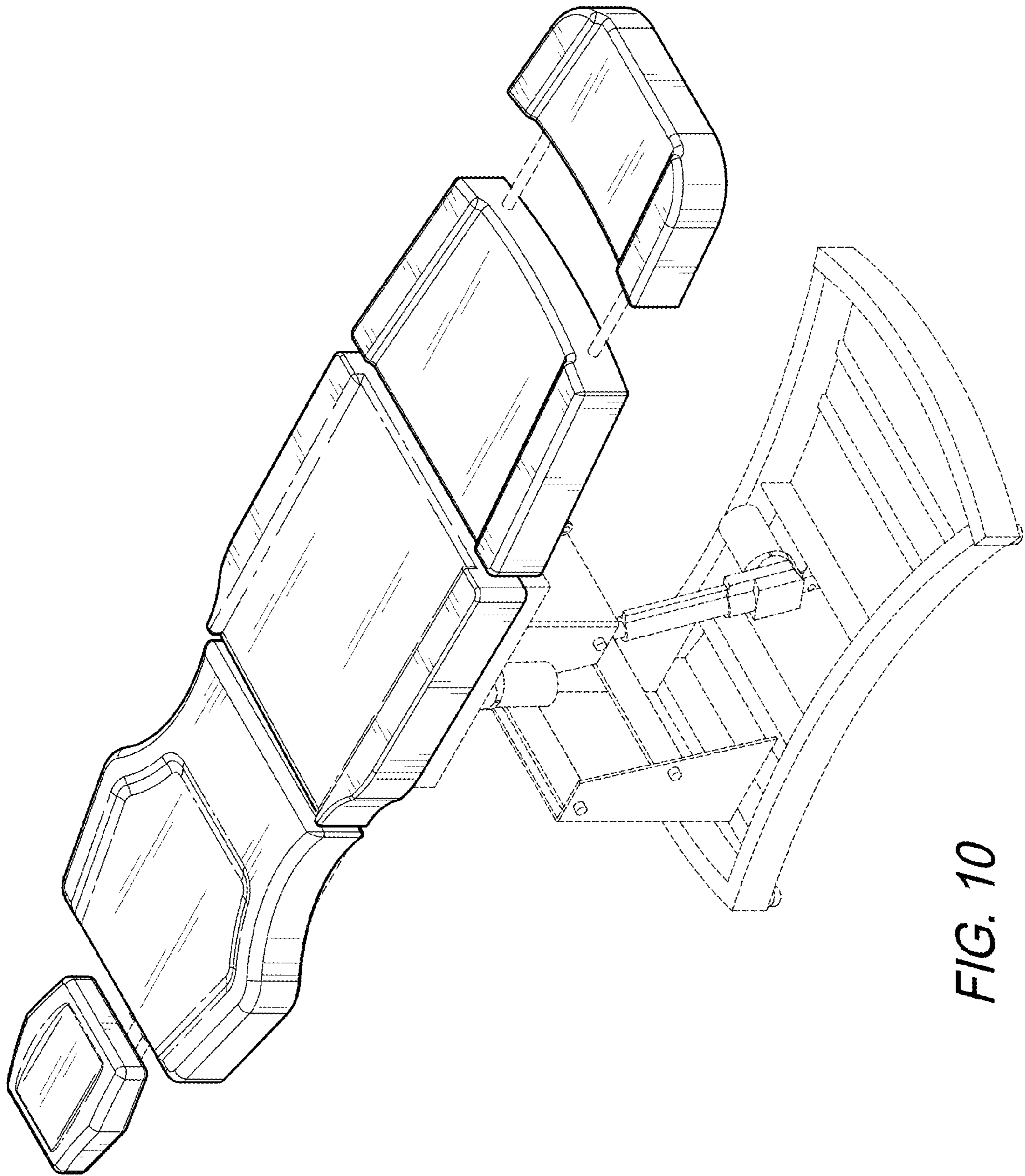


FIG. 10