



US00D897710S

(12) **United States Design Patent** (10) **Patent No.:** **US D897,710 S**
Okuyama et al. (45) **Date of Patent:** **** Oct. 6, 2020**

(54) **MESSAGE CHAIR**
(71) Applicant: **FIUS Distributors, LLC**, Boulder, CO (US)
(72) Inventors: **Kiyoyuki Okuyama**, Yamagata (JP); **Yoichi Hirata**, Kanagawa (JP); **Kazuhide Maeda**, Kanagawa (JP); **Meza Mendoza Issac Alejandro**, Tokyo (JP)

(73) Assignee: **FIUS DISTRIBUTORS, LLC**, Boulder, CO (US)

(**) Term: **15 Years**

(21) Appl. No.: **29/659,162**

(22) Filed: **Aug. 7, 2018**

(51) **LOC (12) Cl.** **06-01**

(52) **U.S. Cl.**
USPC **D6/367**

(58) **Field of Classification Search**
USPC D6/333, 334, 335, 339, 356, 364, 367, D6/601, 716.4, 717; D12/333; D16/237
CPC B60N 2/26; B60N 2/286; B60N 2/976; B60N 2/2812; B60N 2/2821; B60N 2/2851; B60N 2/2869; B60N 2/2872; B60N 2/2875; B60N 2/2878; B60N 2/2881; B60N 2002/024; A47C 7/506; A47D 1/002; B60R 21/2072; A61H 1/02; A61H 9/00; A61H 15/00
See application file for complete search history.

(56) **References Cited**

U.S. PATENT DOCUMENTS

D502,817 S * 3/2005 Inada D6/367
D609,932 S * 2/2010 Lee D6/367
D613,099 S * 4/2010 Tran D6/367
D653,468 S * 2/2012 Hsieh D6/367
D704,947 S * 5/2014 Zhou Honglie D6/367

D705,562 S * 5/2014 Ouchi D6/367
D733,447 S * 7/2015 Hayashi
D772,593 S * 11/2016 Le D6/367
9,532,920 B2 * 1/2017 Wang A61H 15/0078
D787,213 S * 5/2017 Lek D6/367
D796,219 S * 9/2017 Lin
D815,447 S * 4/2018 Horinoe D6/367
D852,528 S * 7/2019 Ci D6/367
10,441,497 B2 * 10/2019 Yoshida A61H 9/0078
D869,182 S * 12/2019 Lin D6/367

(Continued)

Primary Examiner — Kevin K Rudzinski

Assistant Examiner — Paul D Bohannon

(74) *Attorney, Agent, or Firm* — Bryan Cave Leighton Paisner, LLP

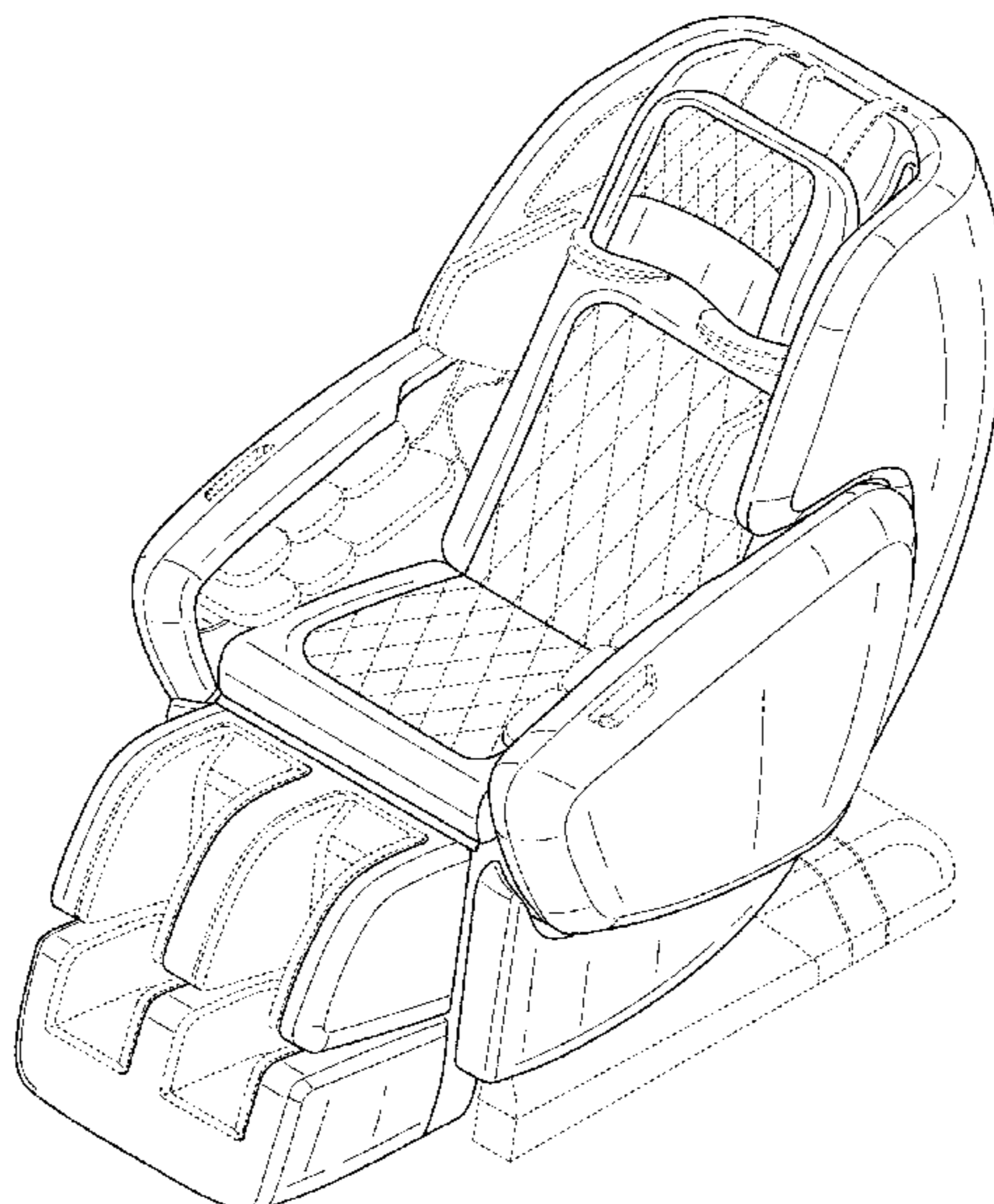
(57) **CLAIM**

The ornamental design for a massage chair, as shown and described.

DESCRIPTION

FIG. 1 is a front perspective view of the massage chair; FIG. 2 is a front view thereof; FIG. 3 is a side view thereof; FIG. 4 is an opposite view thereof; FIG. 5 is a rear view thereof; FIG. 6 is a top view thereof; FIG. 7 is a rear perspective view thereof; FIG. 8 is a front view thereof showing arms of the massage chair in an alternate position; FIG. 9 is a rear view thereof showing arms of the massage chair in an alternate position; FIG. 10 is an enlarged, fragmentary view thereof showing an inner portion of a right arm of the massage chair; and, FIG. 11 is an enlarged, fragmentary view thereof showing an inner portion of a left arm of the massage chair. The broken line showings in the figures are for the purpose of illustrating environment and/or boundaries only and form no part of the claimed design.

1 Claim, 10 Drawing Sheets



(56)

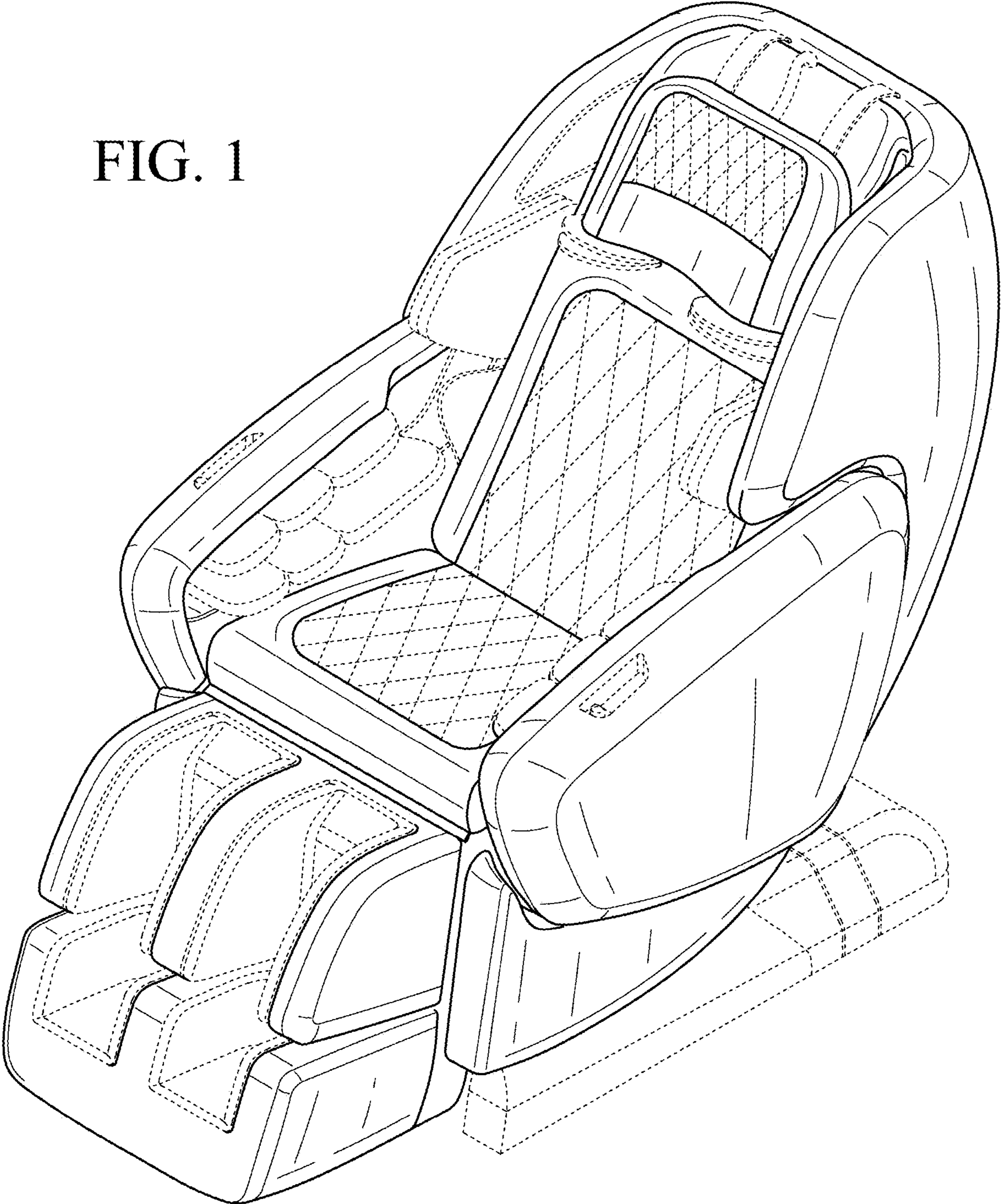
References Cited

U.S. PATENT DOCUMENTS

2010/0198120 A1* 8/2010 Tago A61H 1/0237
601/134
2015/0051526 A1* 2/2015 Wang A47C 7/70
601/99

* cited by examiner

FIG. 1



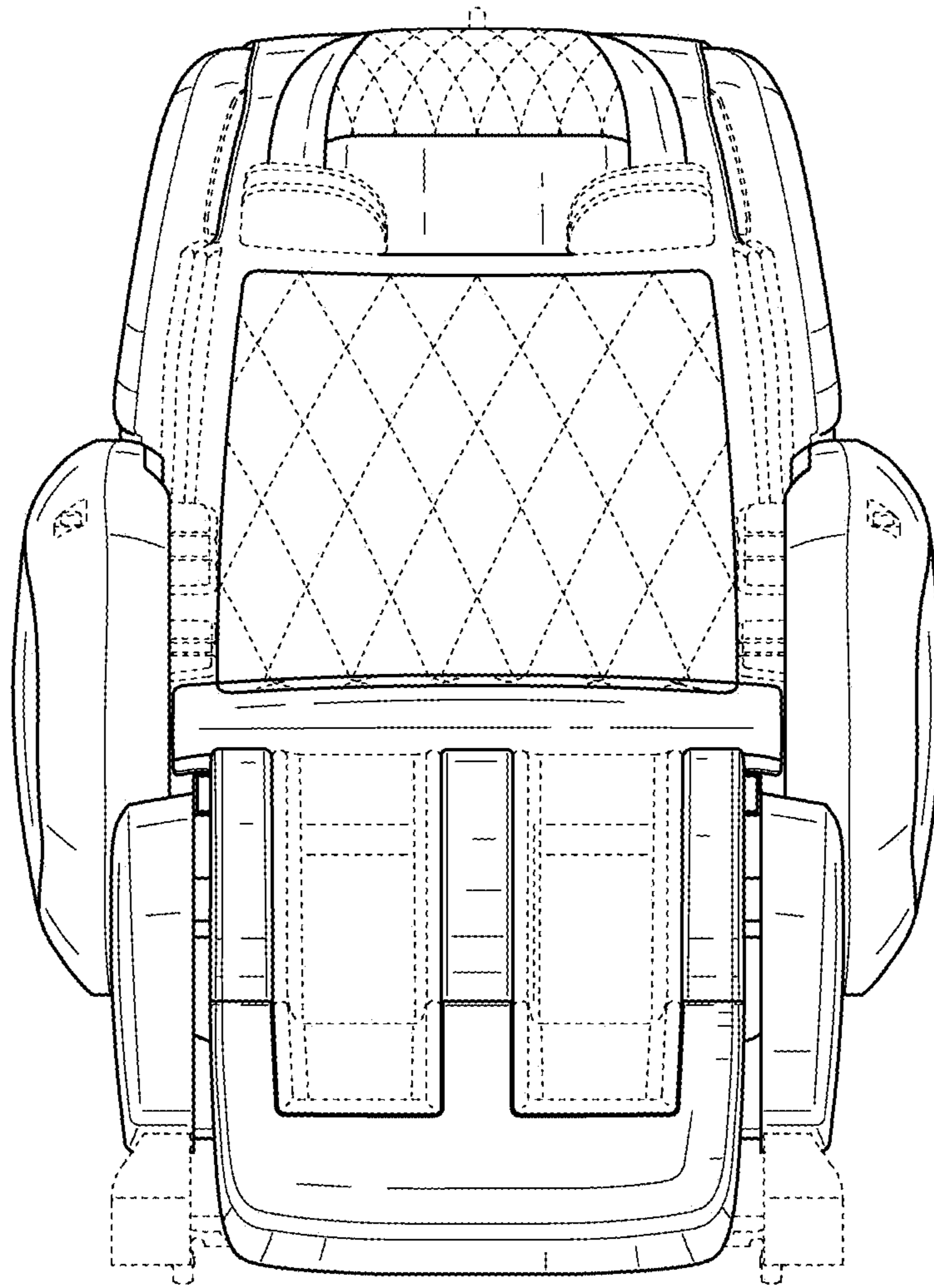


FIG. 2

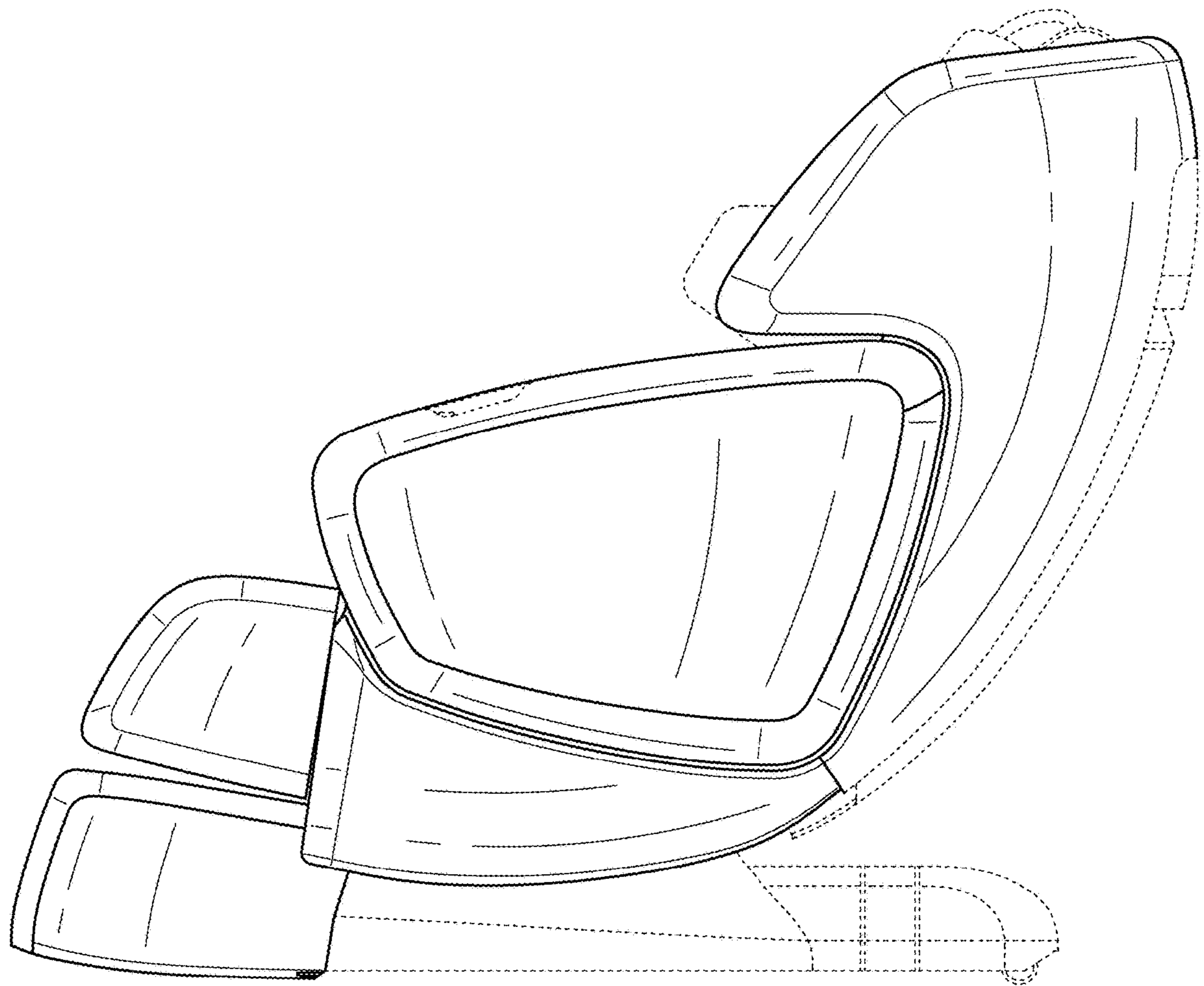


FIG. 3

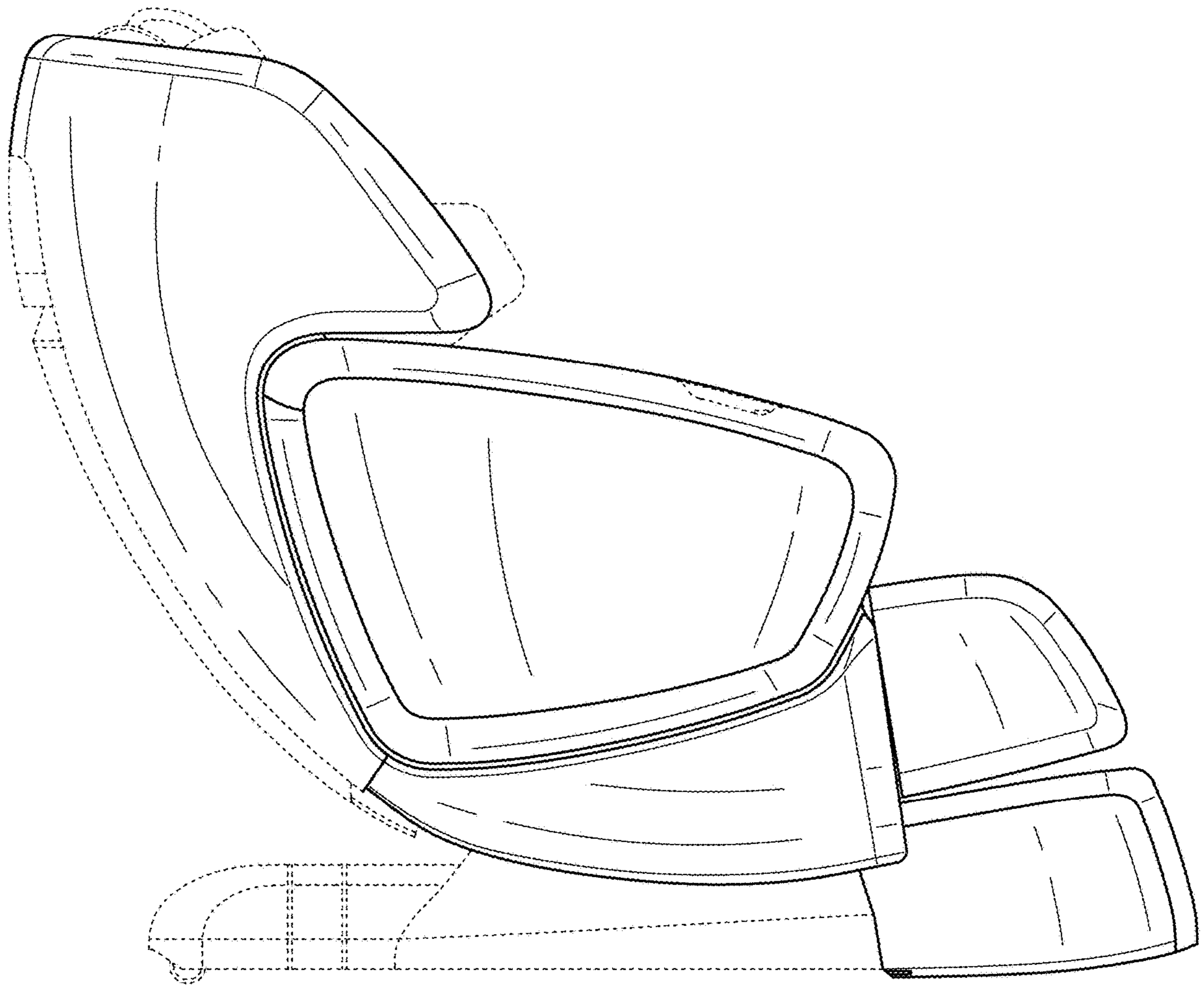


FIG. 4

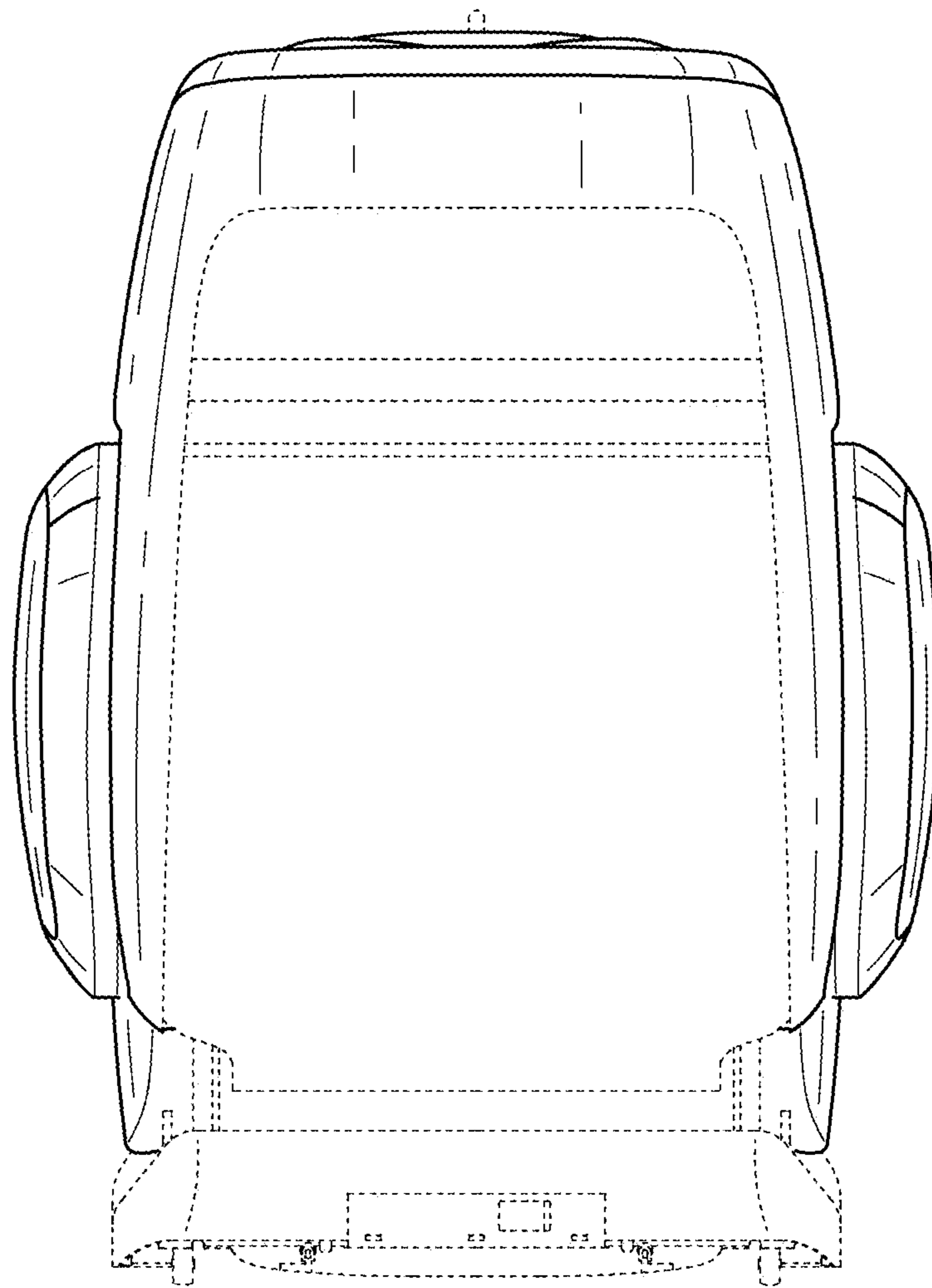


FIG. 5

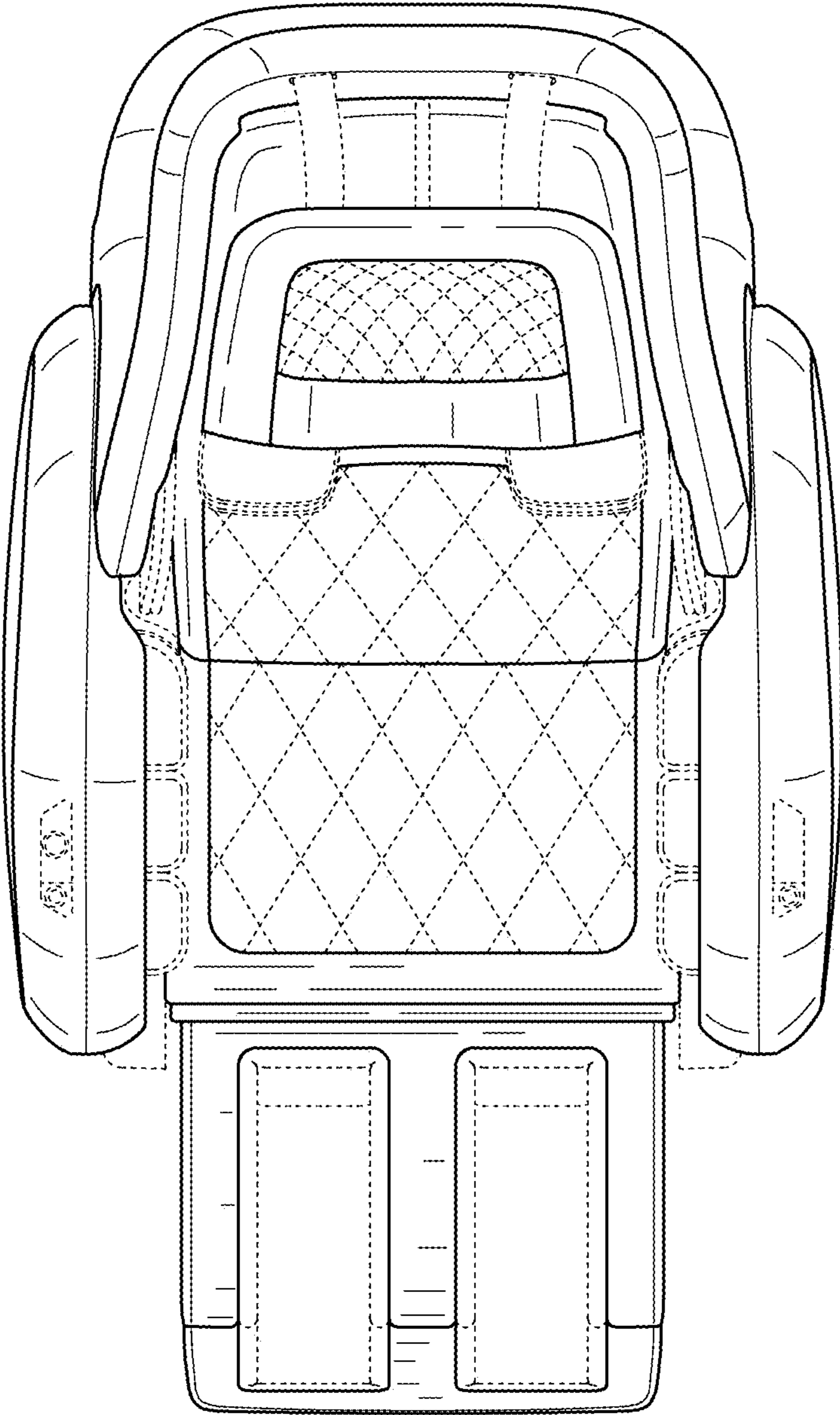


FIG. 6

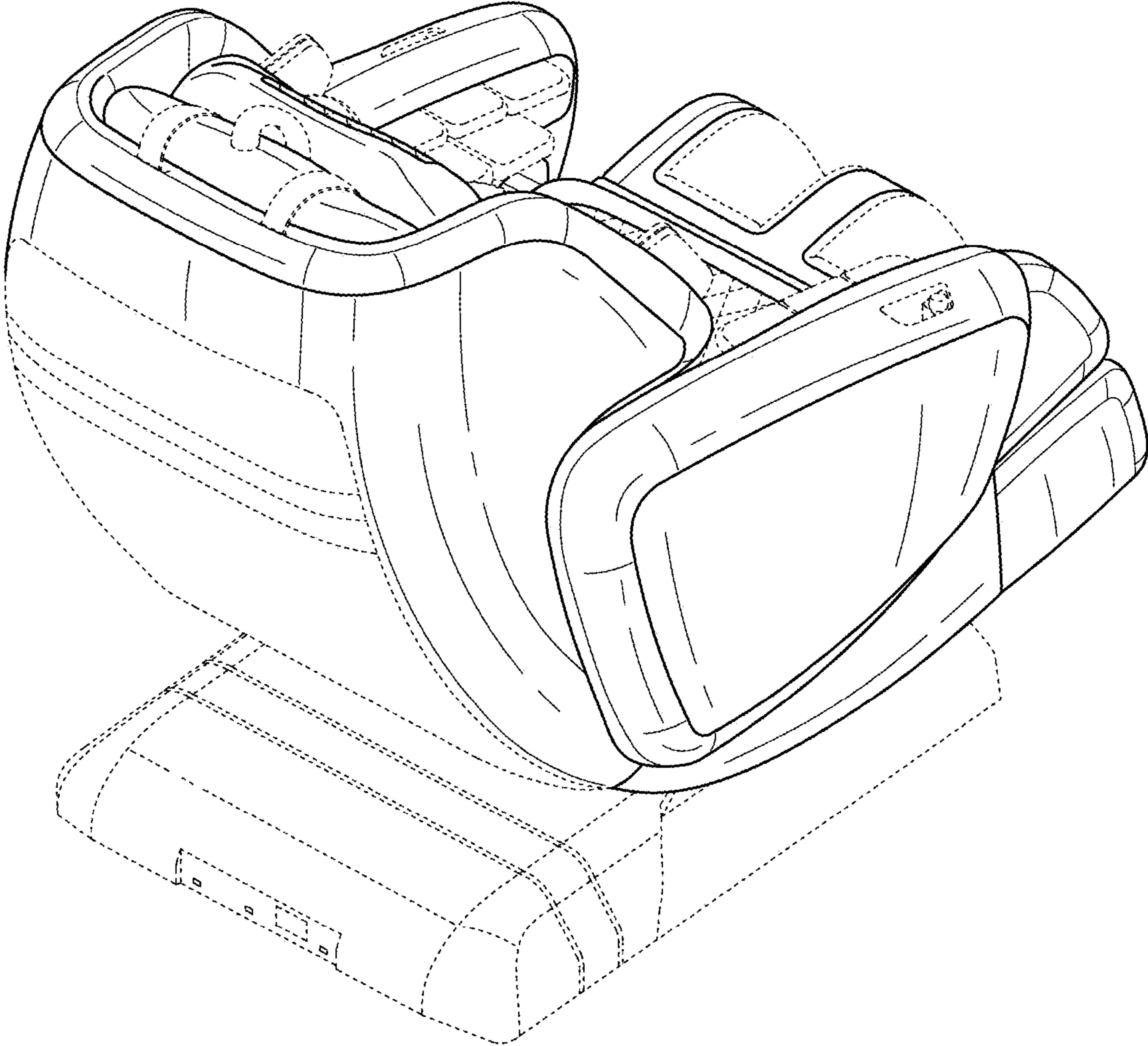


FIG. 7

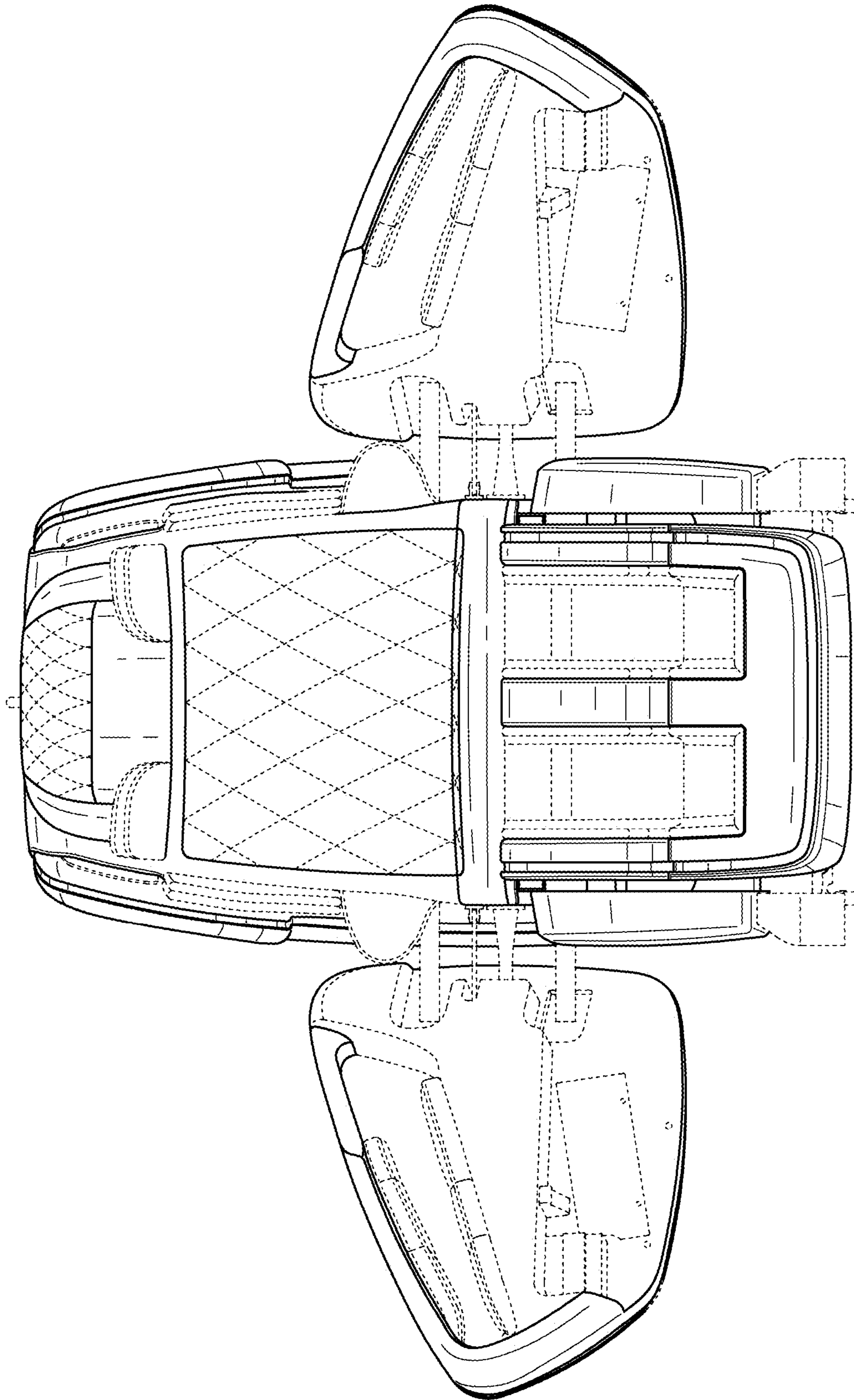


FIG. 8

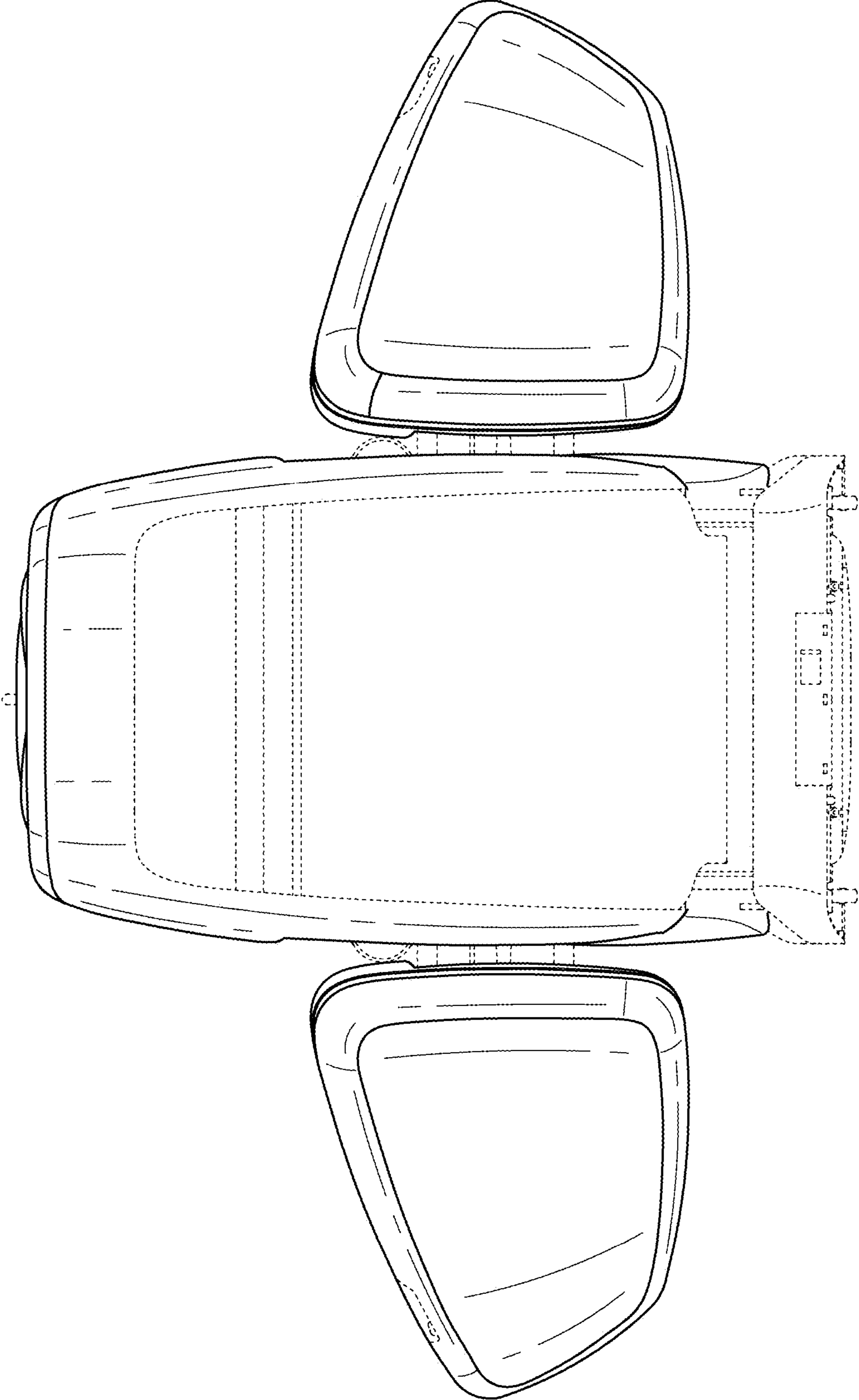


FIG. 9

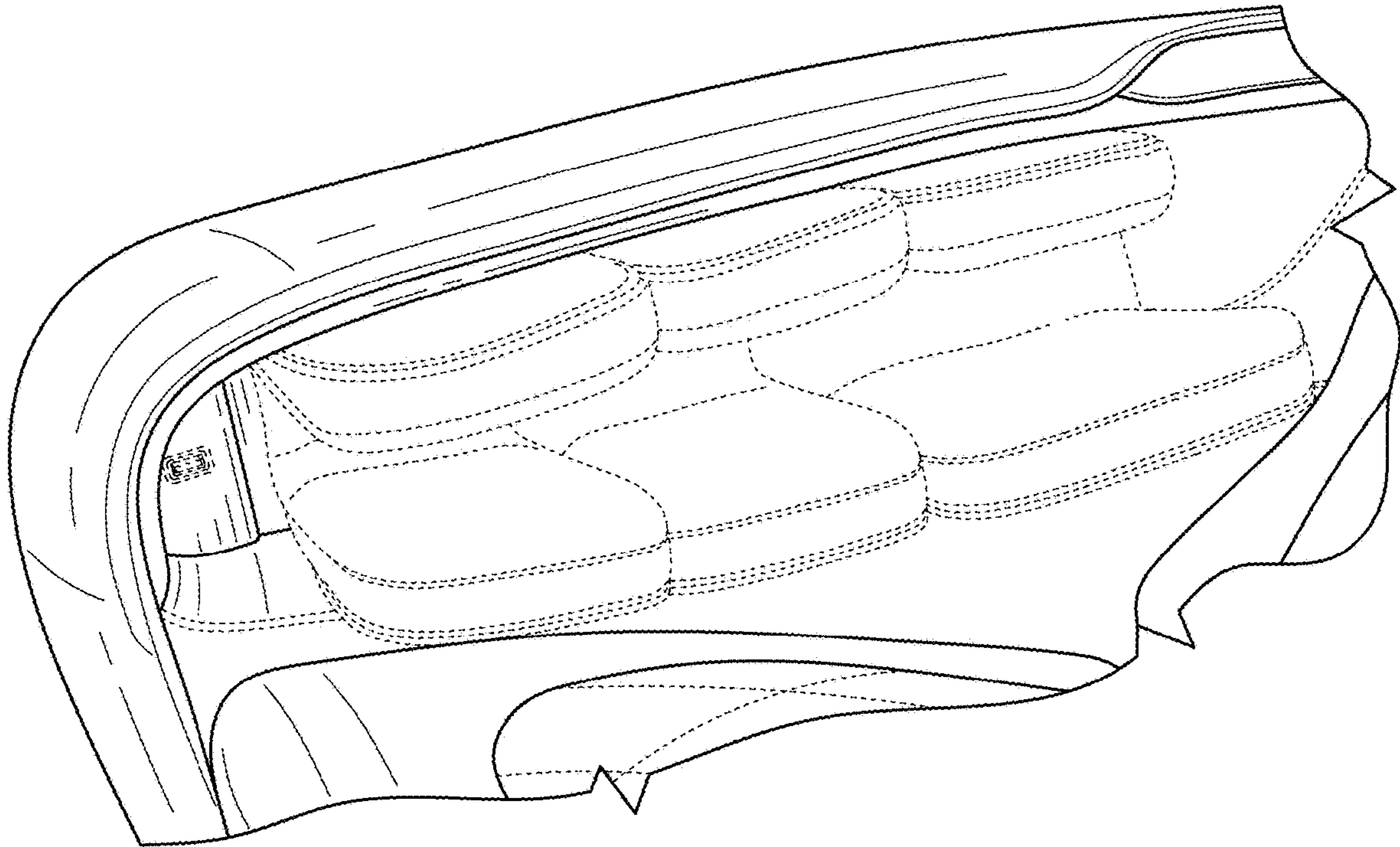


FIG. 10

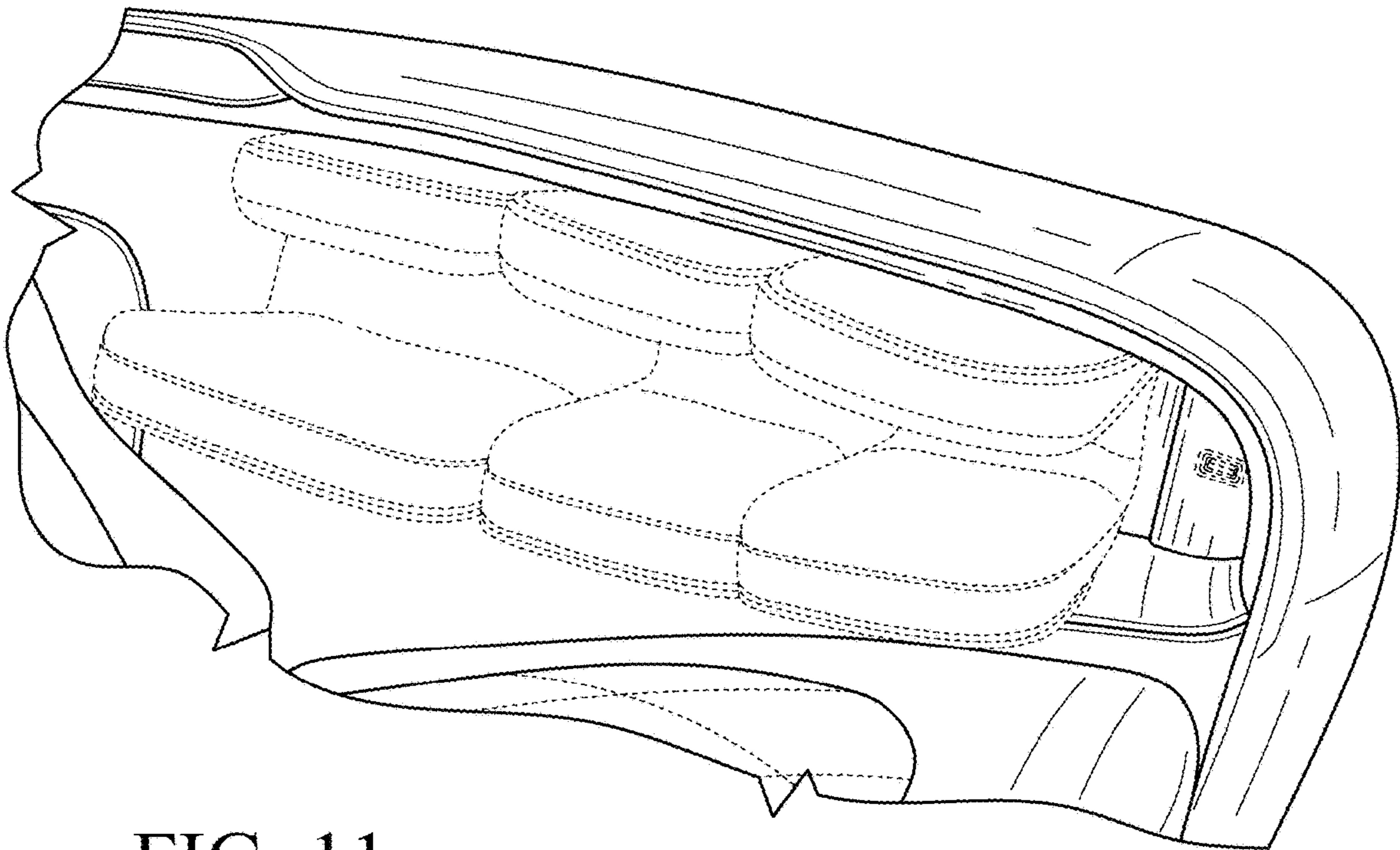


FIG. 11