



US00D897709S

(12) **United States Design Patent** (10) **Patent No.:** **US D897,709 S**
Li (45) **Date of Patent:** **** Oct. 6, 2020**

(54) **GAMING CHAIR**
(71) Applicant: **Xiaozhun Li**, Huzhou (CN)
(72) Inventor: **Xiaozhun Li**, Huzhou (CN)
(**) Term: **15 Years**
(21) Appl. No.: **29/738,186**
(22) Filed: **Jun. 15, 2020**
(51) **LOC (12) Cl.** **06-01**
(52) **U.S. Cl.**
USPC **D6/366**
(58) **Field of Classification Search**
USPC D6/334-336, 356, 364, 365, 366, 367,
D6/374, 375, 379, 380, 716, 716.1, 716.3,
D6/716.4
CPC A47C 4/028; A47C 7/004; A47C 7/006;
A47C 7/18; A47C 7/24; A47C 7/38;
A47C 7/40; B60N 2/02; B60N 2/20;
B60N 2/22; B60N 2/58
See application file for complete search history.

D854,345 S * 7/2019 Rost D6/356
D856,696 S * 8/2019 Shen D6/366
D856,697 S * 8/2019 Shen D6/366
D856,698 S * 8/2019 Shen D6/366
D861,367 S * 10/2019 Shen D6/366
D869,214 S * 12/2019 Chen D6/716
D878,785 S * 3/2020 Qi D6/366
D878,790 S * 3/2020 Wang
D879,493 S * 3/2020 Peng D6/366
D879,524 S * 3/2020 Huang D6/716
D885,779 S * 6/2020 Li D6/366
D891,136 S * 7/2020 Wu D6/366

* cited by examiner

Primary Examiner — Mimosa De

(57) **CLAIM**

The ornamental design for a gaming chair, as shown and described.

DESCRIPTION

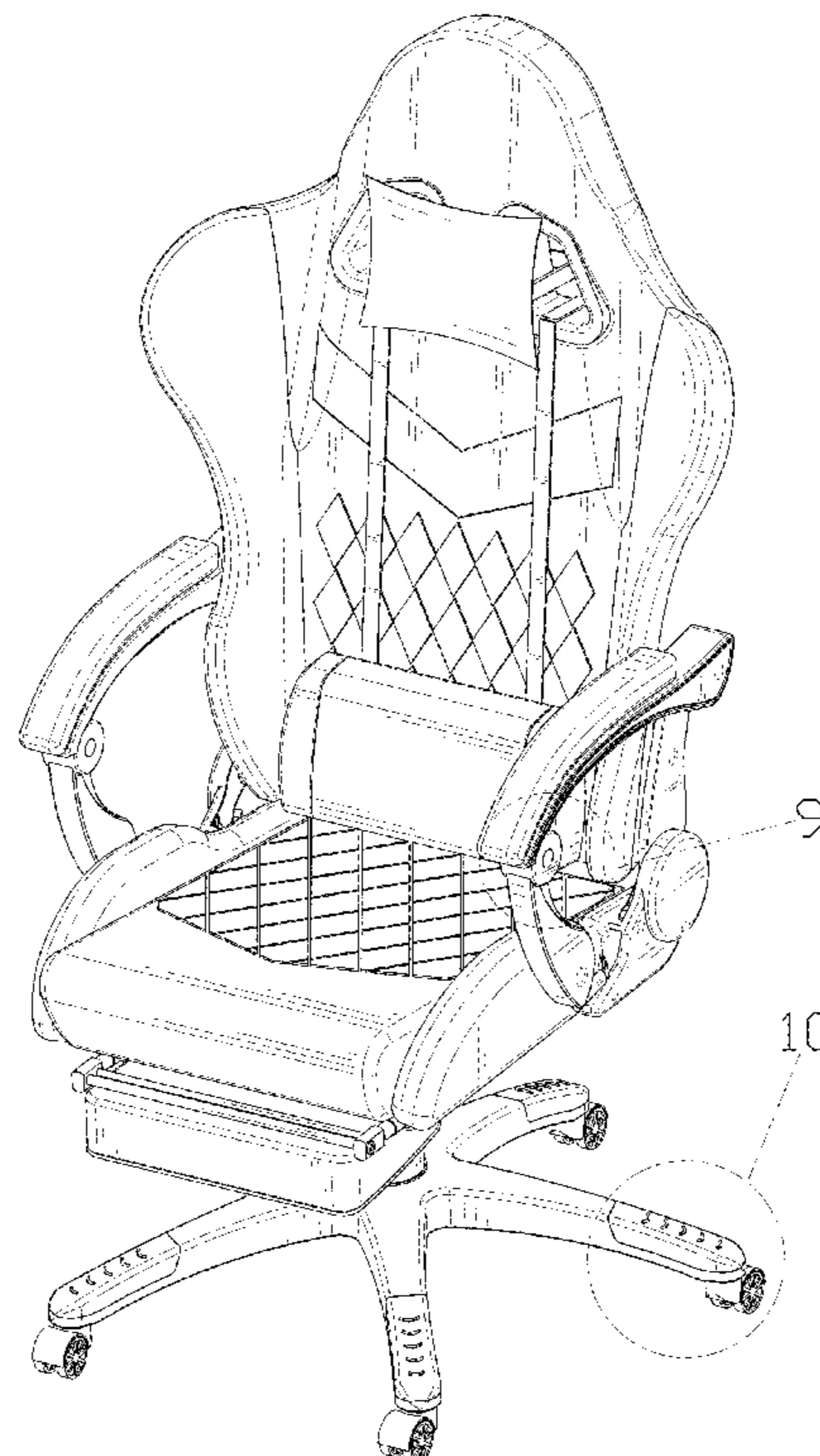
FIG. 1 is a perspective view of a gaming chair showing my new design;
FIG. 2 is another perspective view thereof;
FIG. 3 is a front elevational view thereof;
FIG. 4 is a rear elevational view thereof;
FIG. 5 is a left side elevational view thereof;
FIG. 6 is a right side elevational view thereof;
FIG. 7 is a top plan view thereof;
FIG. 8 is a bottom plan view thereof;
FIG. 9 is an enlarged view of portion 9 shown in FIG. 1; and,
FIG. 10 is an enlarged view of portion 10 shown in FIG. 1.
The broken lines in the drawings depict portions of the gaming chair that form no part of the claimed design.

1 Claim, 10 Drawing Sheets

(56) **References Cited**

U.S. PATENT DOCUMENTS

D317,534 S * 6/1991 Hansel D6/356
D509,077 S * 9/2005 Beermann D6/356
D789,699 S * 6/2017 Kumagai D6/356
D847,526 S * 5/2019 Wang
D851,435 S * 6/2019 Shen D6/716
D851,436 S * 6/2019 Shen D6/716
D851,974 S * 6/2019 Shen D6/716
D852,563 S * 7/2019 Shen D6/716



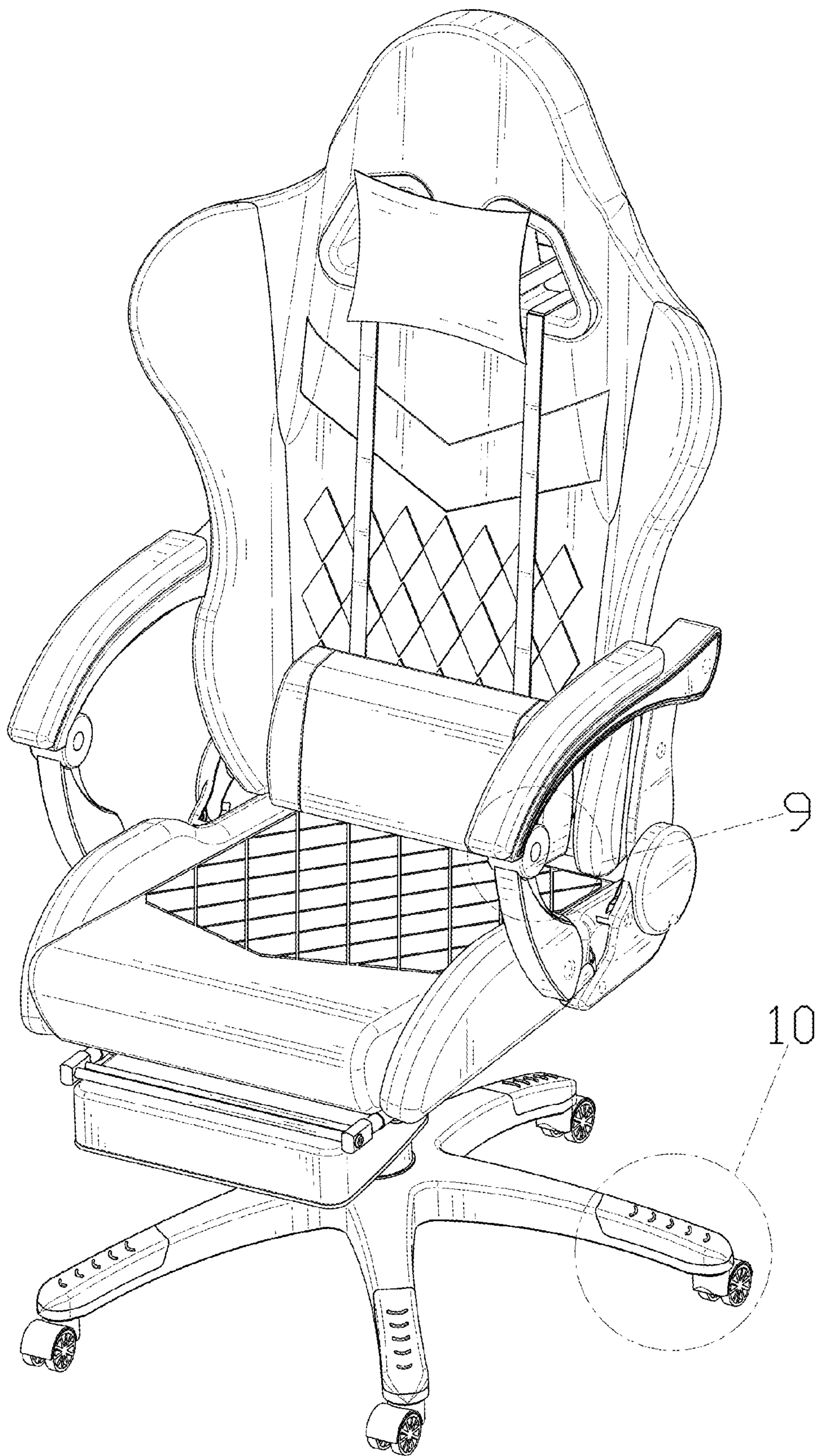


FIG. 1



FIG. 2

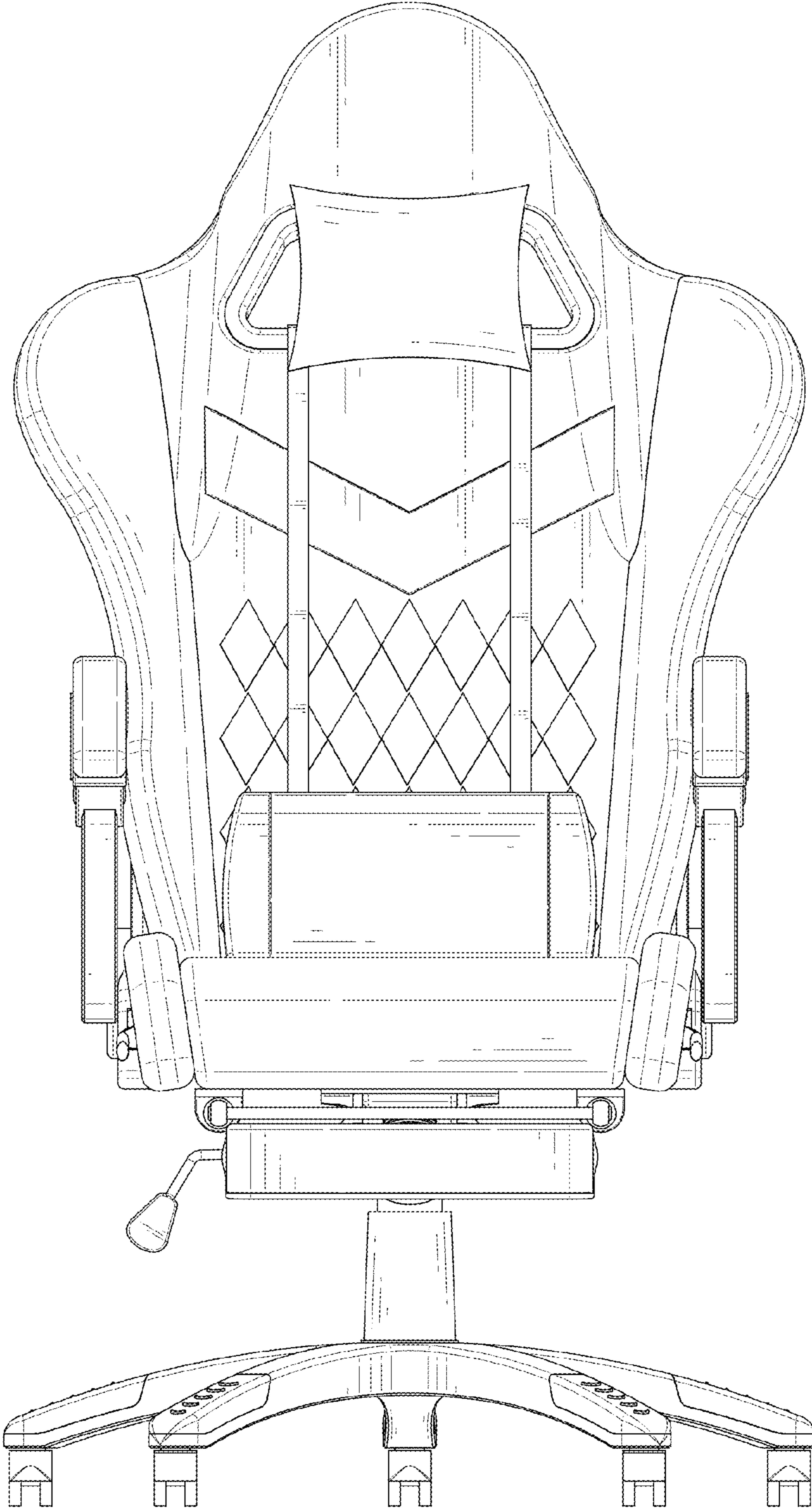


FIG. 3

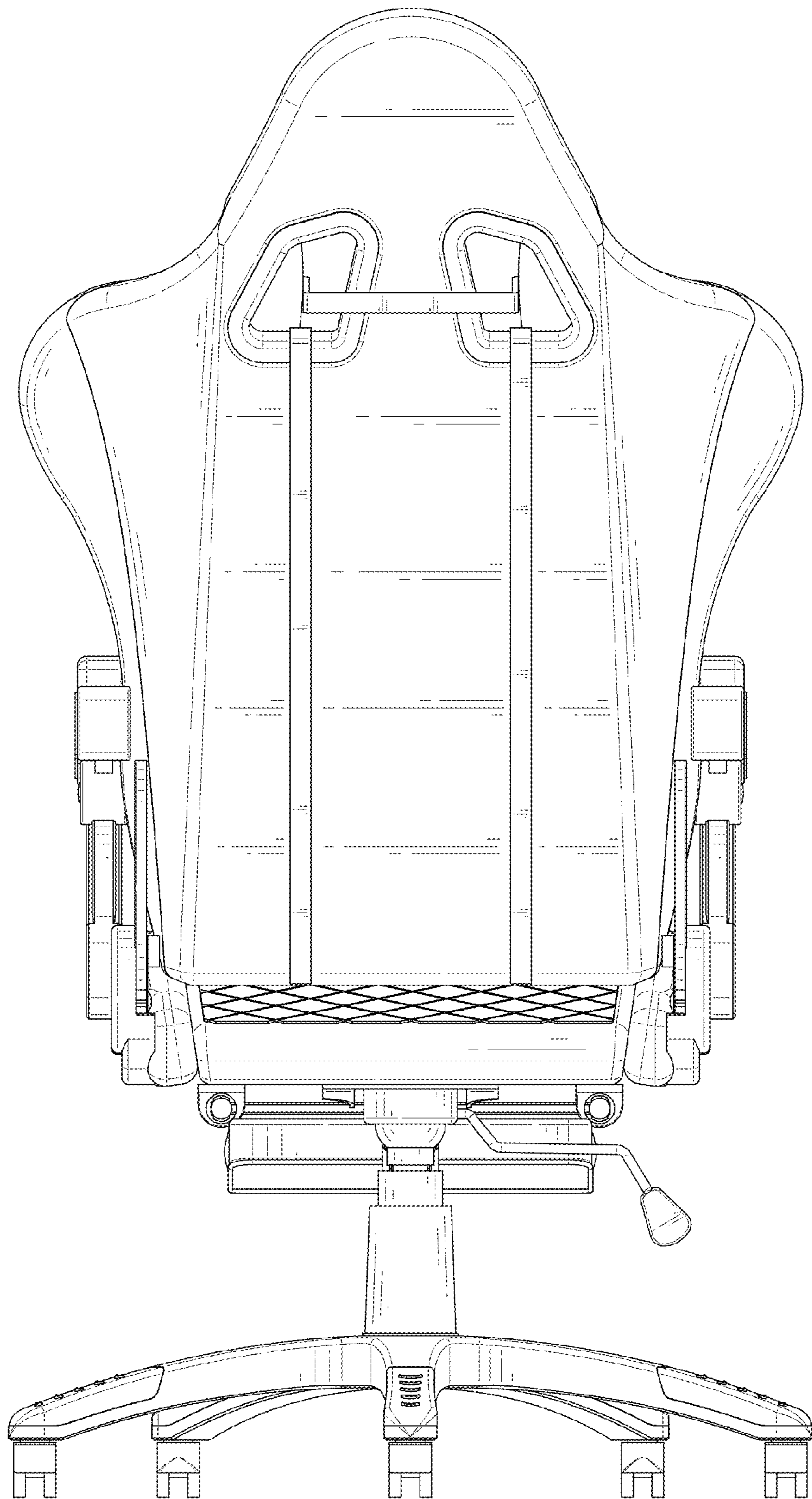


FIG. 4

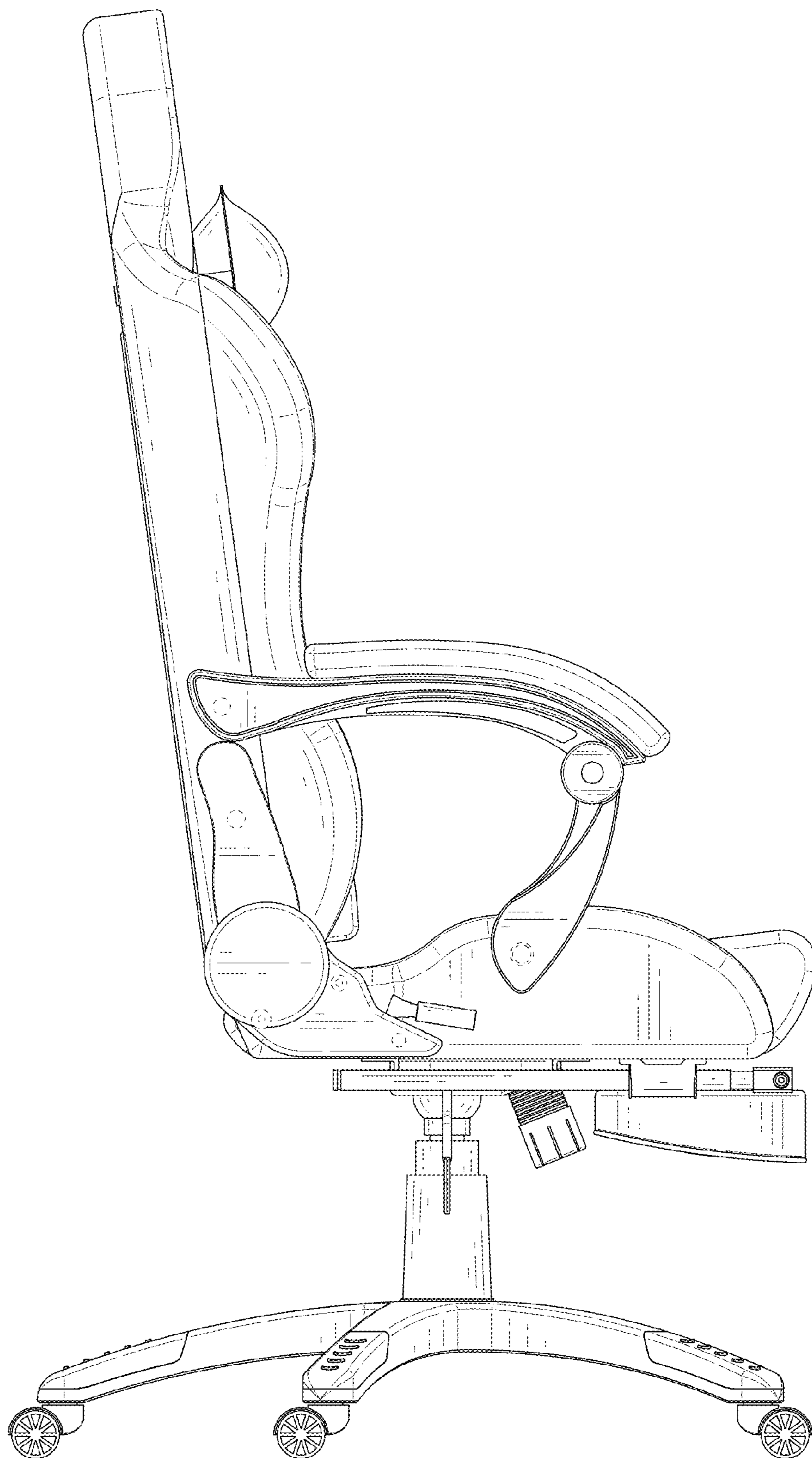


FIG. 5

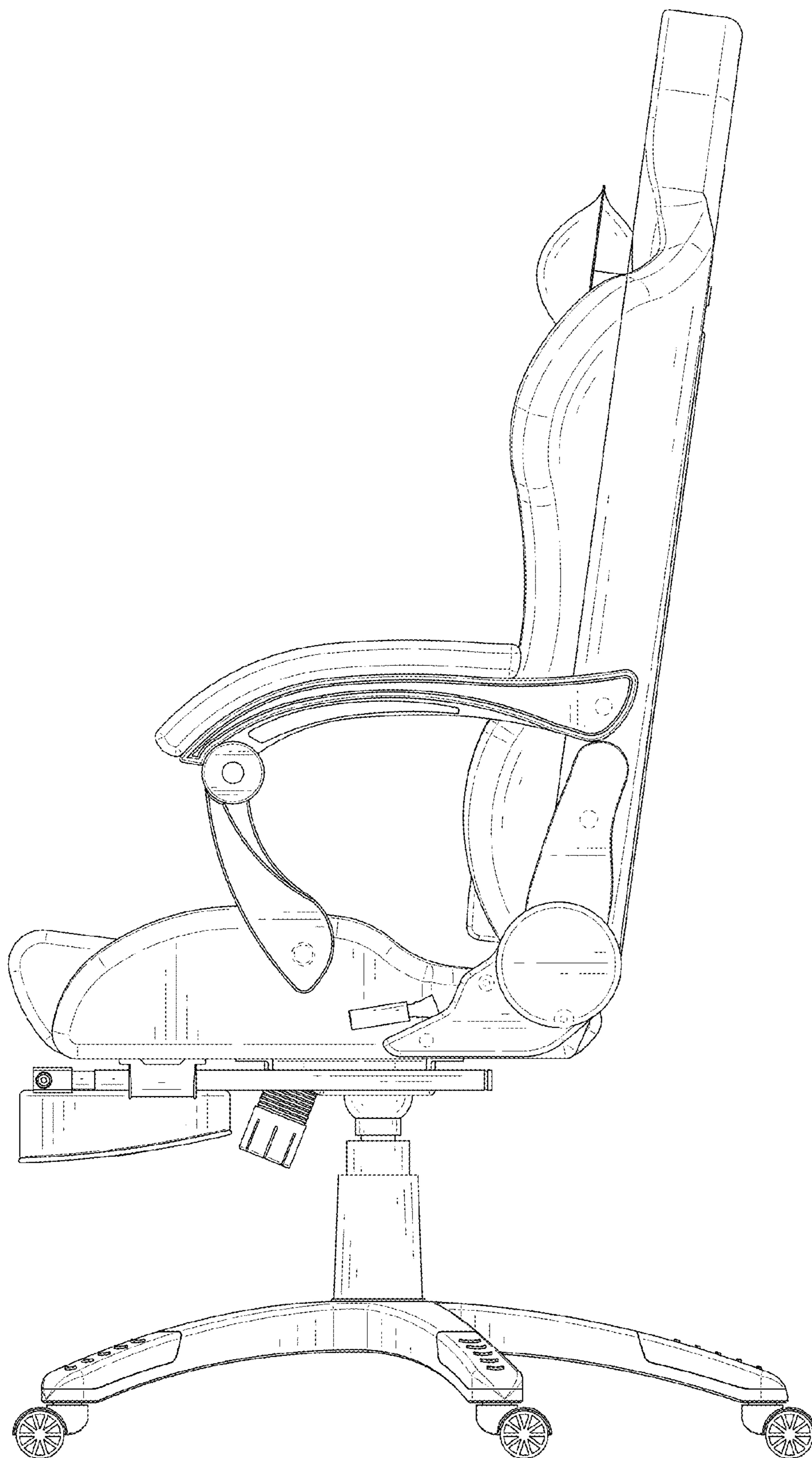


FIG. 6

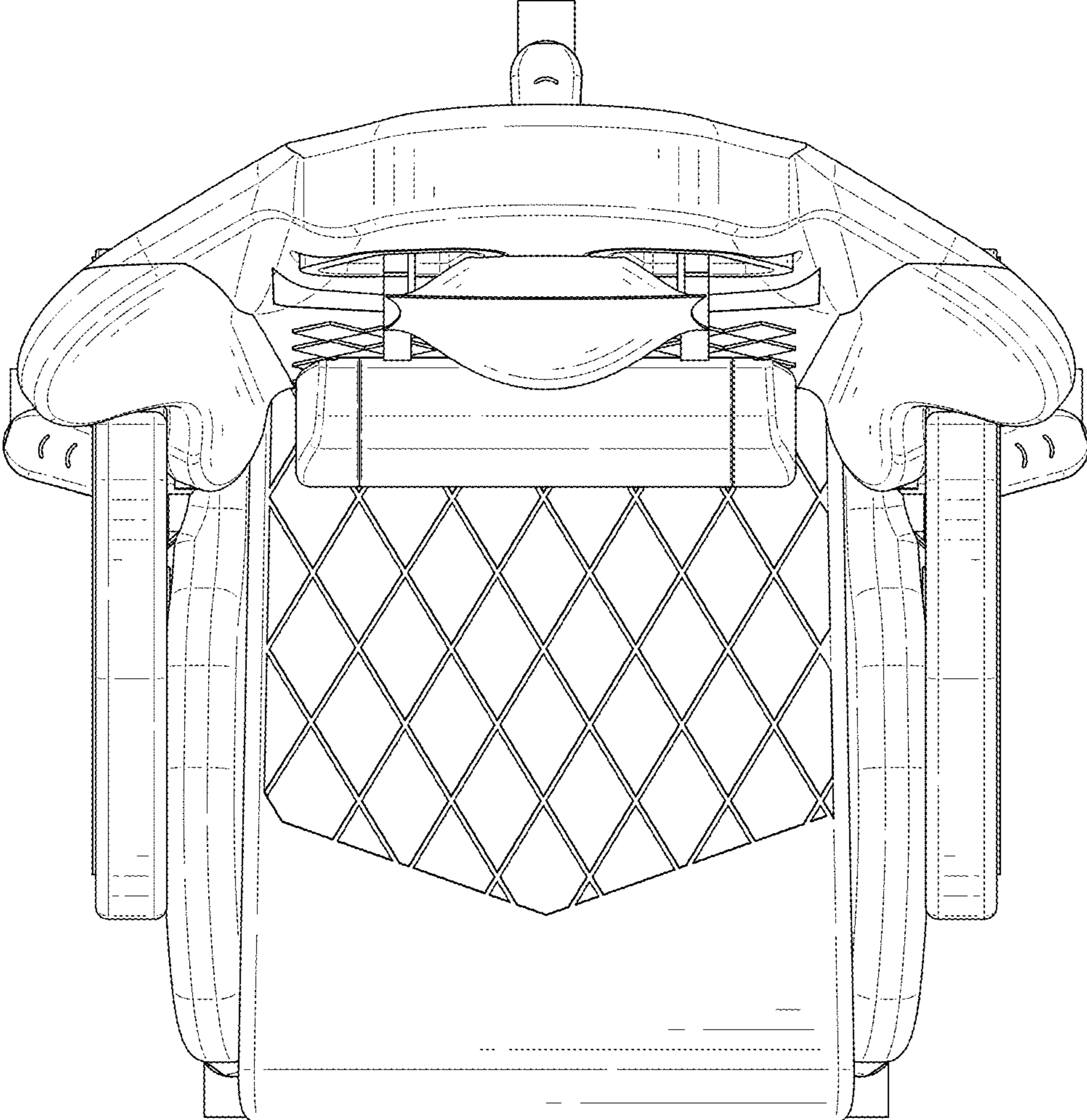


FIG. 7

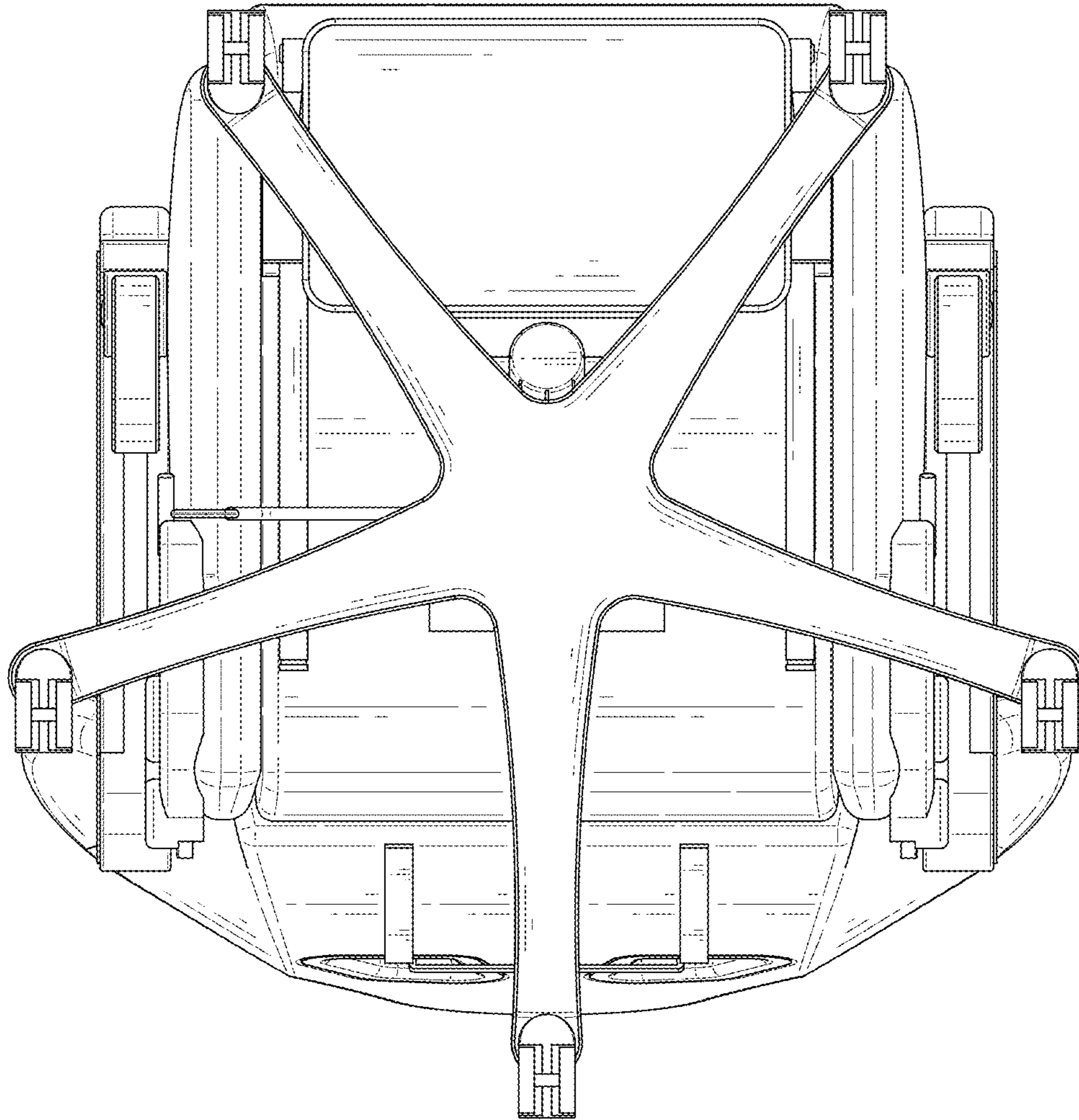


FIG. 8

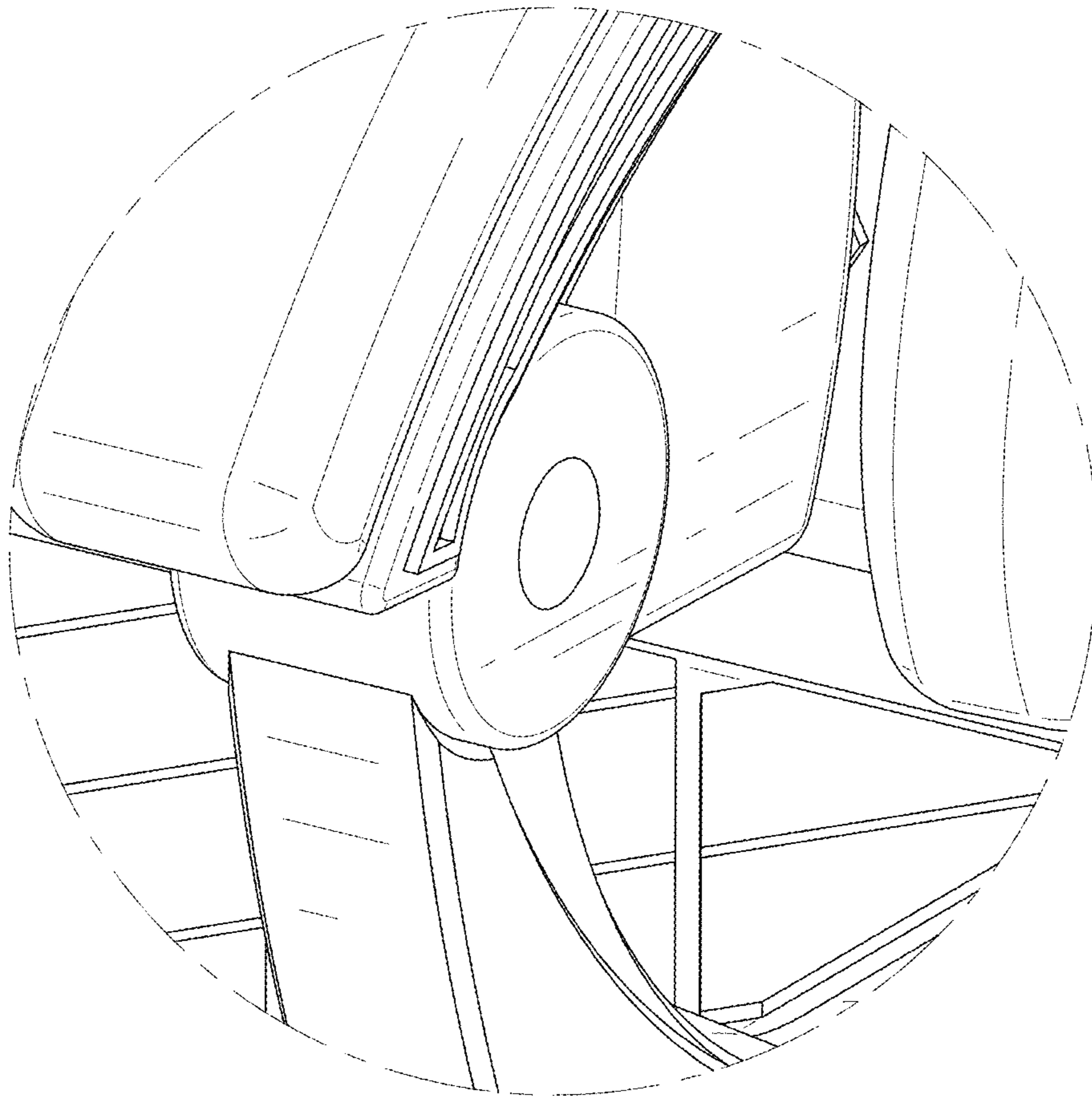


FIG. 9

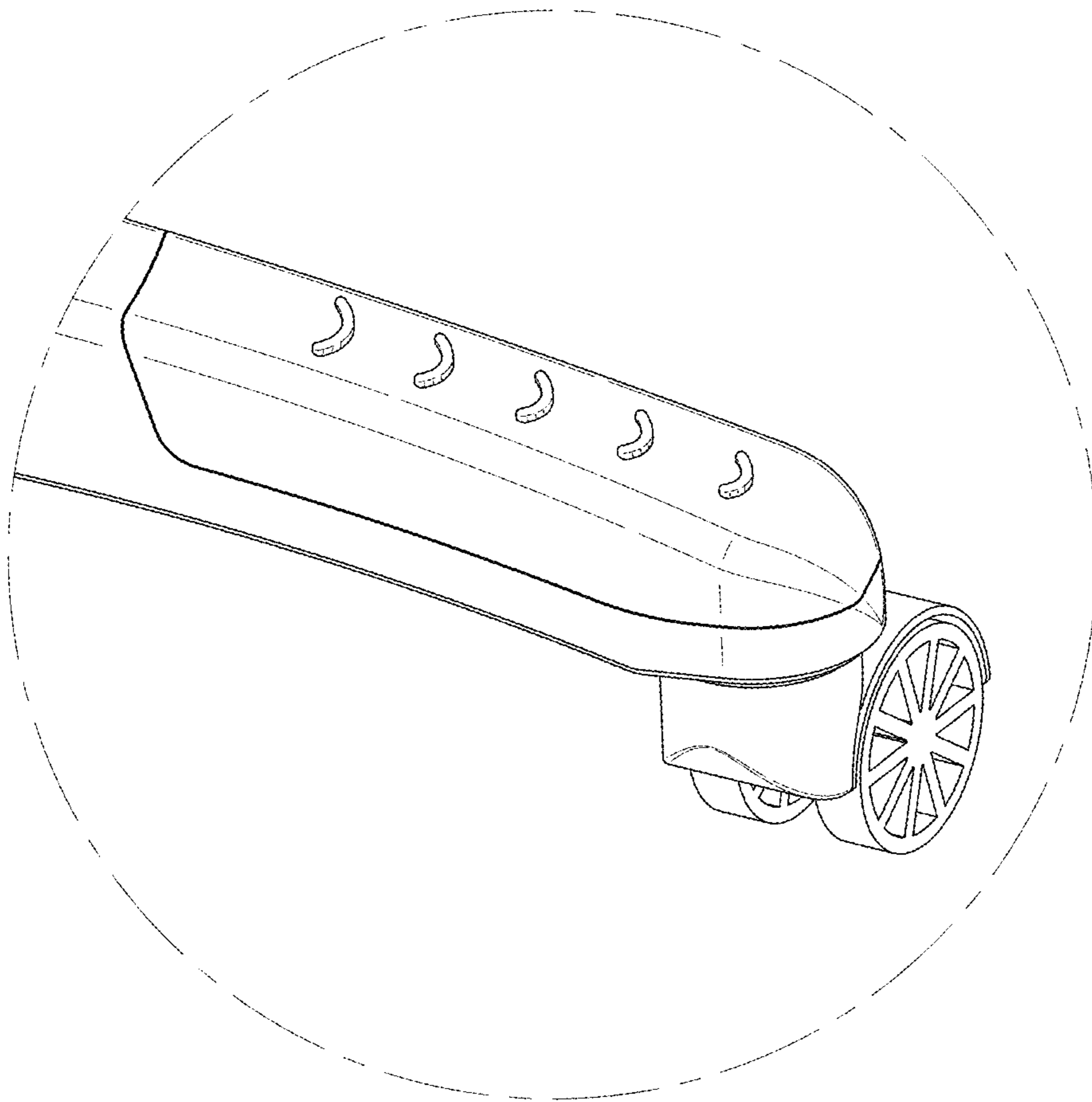


FIG. 10