



US00D897708S

(12) **United States Design Patent** (10) **Patent No.:** **US D897,708 S**
Tobler (45) **Date of Patent:** **** Oct. 6, 2020**

(54) **ERGONOMIC BALL CHAIR**
(71) Applicant: **Asja Tobler**, Los Angeles, CA (US)
(72) Inventor: **Asja Tobler**, Los Angeles, CA (US)
(**) Term: **15 Years**
(21) Appl. No.: **29/694,041**
(22) Filed: **Jun. 6, 2019**
(51) **LOC (12) Cl.** **06-01**
(52) **U.S. Cl.**
USPC **D6/366**
(58) **Field of Classification Search**
USPC D6/334, 344, 348, 364, 366, 369, 370,
D6/371, 373, 381, 708, 716, 375, 716.3,
D6/376, 379; D21/521, 695
CPC A47C 3/029; A47C 3/027; A47C 3/02;
A47C 3/04; A47C 3/12; A47C 4/03;
A47C 4/04; A47C 5/12; A47C 7/18;
A47C 1/0246; A47C 7/44; A47C 1/00;
A47C 1/024; A47C 3/00; A47C 3/20;
A47C 4/00; A47C 4/02; A47C 4/021;
A47C 7/021; A47C 7/004; A47C 7/006;
A47C 7/40; A47C 7/46; A47C 7/54;
A47C 7/402; A47C 7/441; A47C 7/443;
A47C 7/445; A47C 7/467; A47C 7/543;
A47C 9/002; A47C 31/126; A47D 13/10;
Y10S 297/01; A63B 26/00; A63B
2225/62; A63B 2210/50; A63B 26/003;
A63B 21/1609; A63G 9/10; B60N 2/02
See application file for complete search history.

(56) **References Cited**
U.S. PATENT DOCUMENTS
2,425,884 A * 8/1947 Janssen A47C 1/024
297/329
6,523,895 B1 * 2/2003 Vogtherr A47C 1/024
297/291

D471,025 S 3/2003 Chiu
D471,371 S 3/2003 Chiu
6,702,388 B1 3/2004 Chiu
D497,491 S * 10/2004 Pluer D6/375
D505,024 S * 5/2005 Bellin D6/366
7,140,677 B1 * 11/2006 Chiu A47C 4/54
297/181
7,341,548 B2 3/2008 Heitzman
8,056,976 B1 * 11/2011 Polk A47C 3/029
297/258.1
D669,280 S * 10/2012 Andersson D6/379
D704,487 S * 5/2014 Smith D6/366
8,721,005 B2 * 5/2014 Mankin A47C 4/54
297/44
8,919,881 B2 * 12/2014 Bay A47C 7/402
297/311

(Continued)

Primary Examiner — Kevin K Rudzinski
Assistant Examiner — Paul D Bohannon

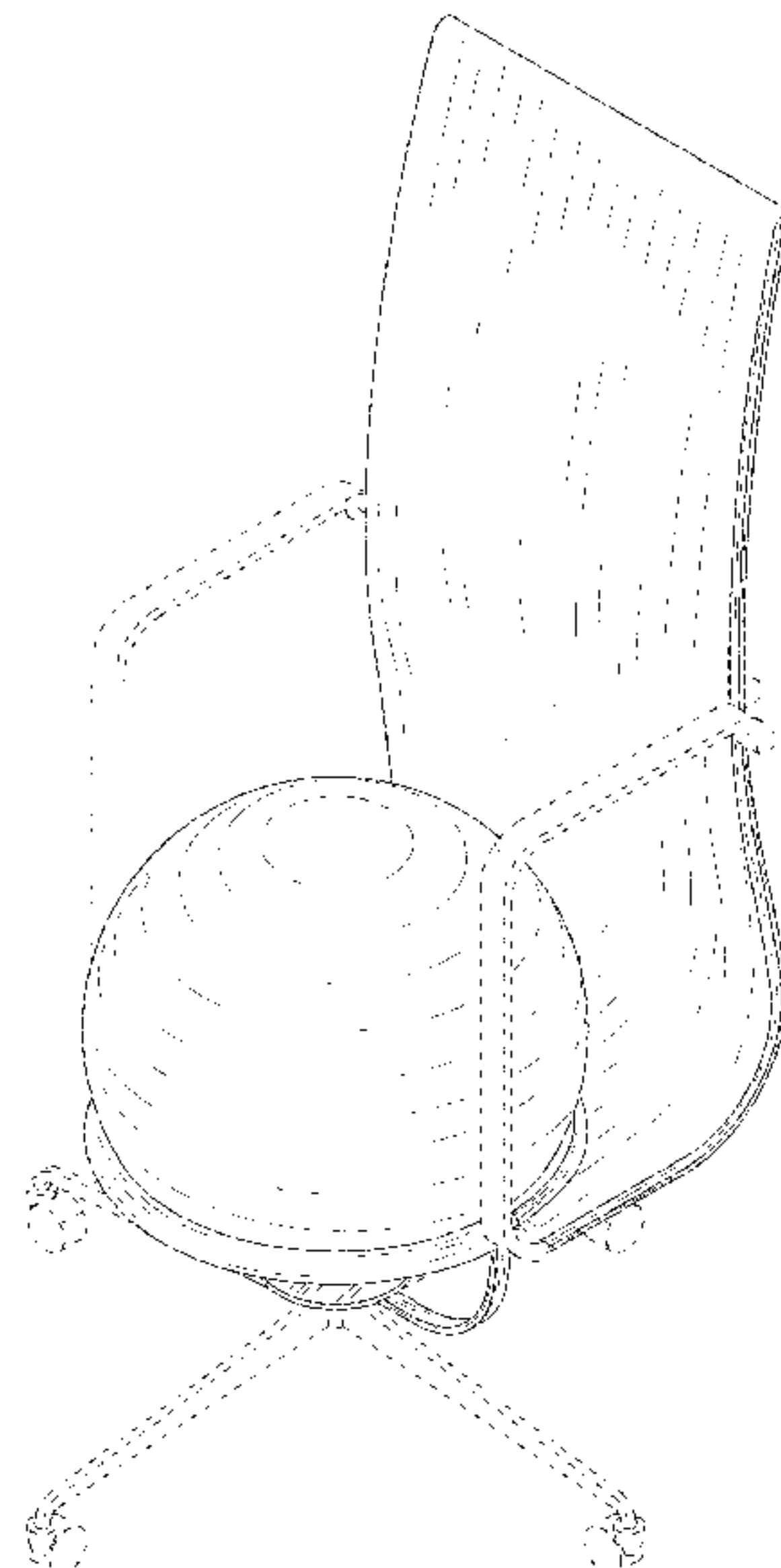
(57) **CLAIM**

The ornamental design for an ergonomic ball chair, as shown and described.

DESCRIPTION

FIG. 1 is a top perspective view of an ergonomic ball chair showing my new design;
FIG. 2 is a bottom perspective view thereof;
FIG. 3 is a front elevated view thereof;
FIG. 4 is a rear elevated view thereof;
FIG. 5 is a top plan view thereof;
FIG. 6 is a bottom plan view thereof;
FIG. 7 is a right elevated view thereof; and,
FIG. 8 is a left elevated view thereof.
The broken lines showing of a wheel assembly in FIGS. 1-8, the broken lines showing of an arm rest assembly in FIGS. 1-8, and the broken lines showing of a rear support assembly in FIGS. 1-2, FIGS. 4-5, and FIGS. 7-8 are included for the purpose of showing environmental structure and form no part of the claimed design.

1 Claim, 8 Drawing Sheets



(56)

References Cited

U.S. PATENT DOCUMENTS

| | | | | |
|--------------|------|---------|-----------------|--------------------------|
| 8,926,483 | B1 * | 1/2015 | Holloway | A63B 26/003 297/271.5 |
| D783,301 | S * | 4/2017 | Hsu | D6/366 |
| 9,713,383 | B2 | 7/2017 | Hsu | |
| D794,347 | S * | 8/2017 | Cazzaniga | D6/366 |
| D795,621 | S * | 8/2017 | Ono | D6/360 |
| D802,951 | S * | 11/2017 | Ludwig | D6/366 |
| D846,928 | S * | 4/2019 | Brueske | D6/716 |
| 2004/0245838 | A1 | 12/2004 | Chiu | |
| 2008/0176727 | A1 | 7/2008 | Heitzman | |
| 2019/0038033 | A1 * | 2/2019 | Schmitz | A47C 3/026 |

* cited by examiner

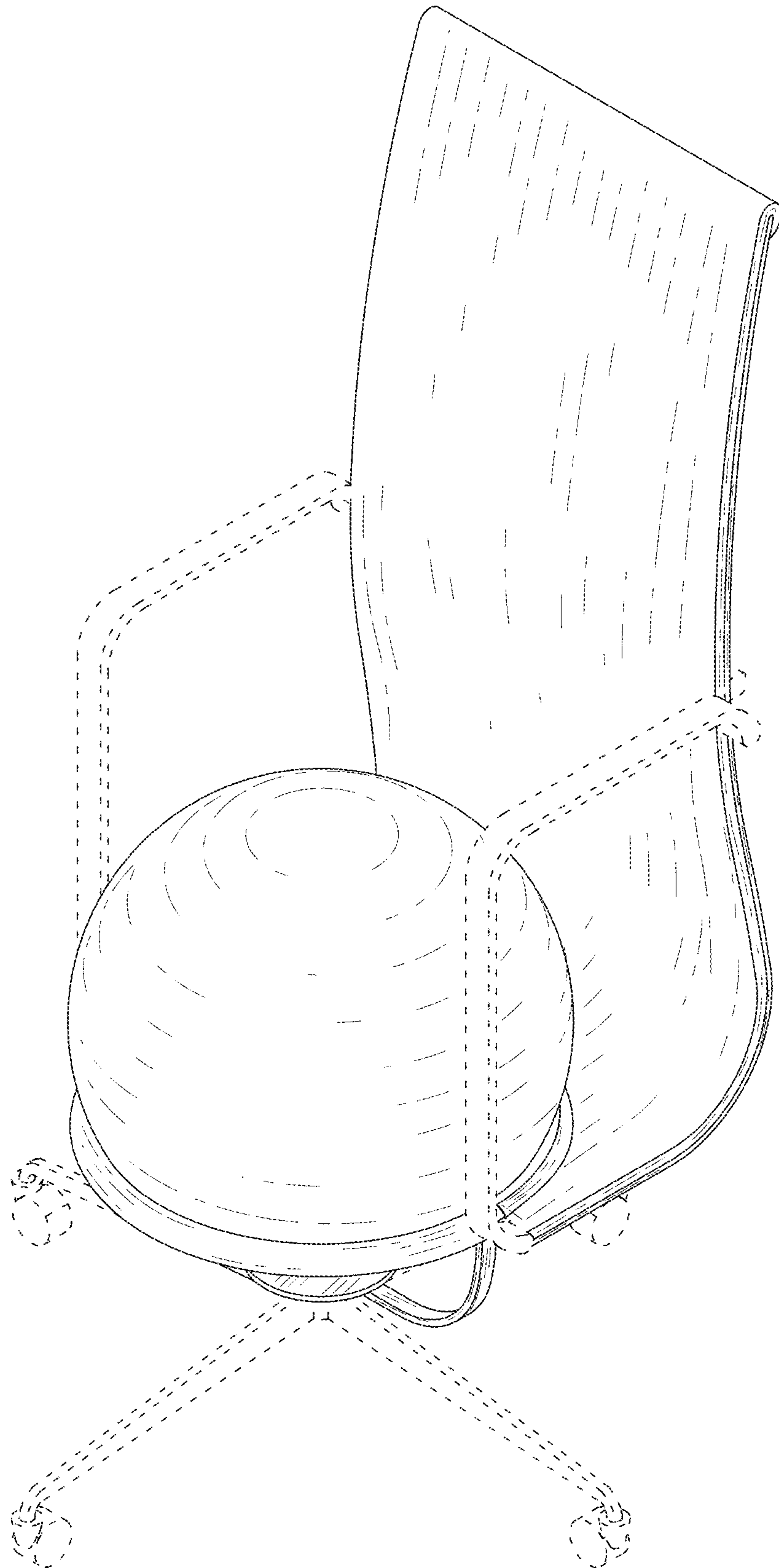


FIG. 1

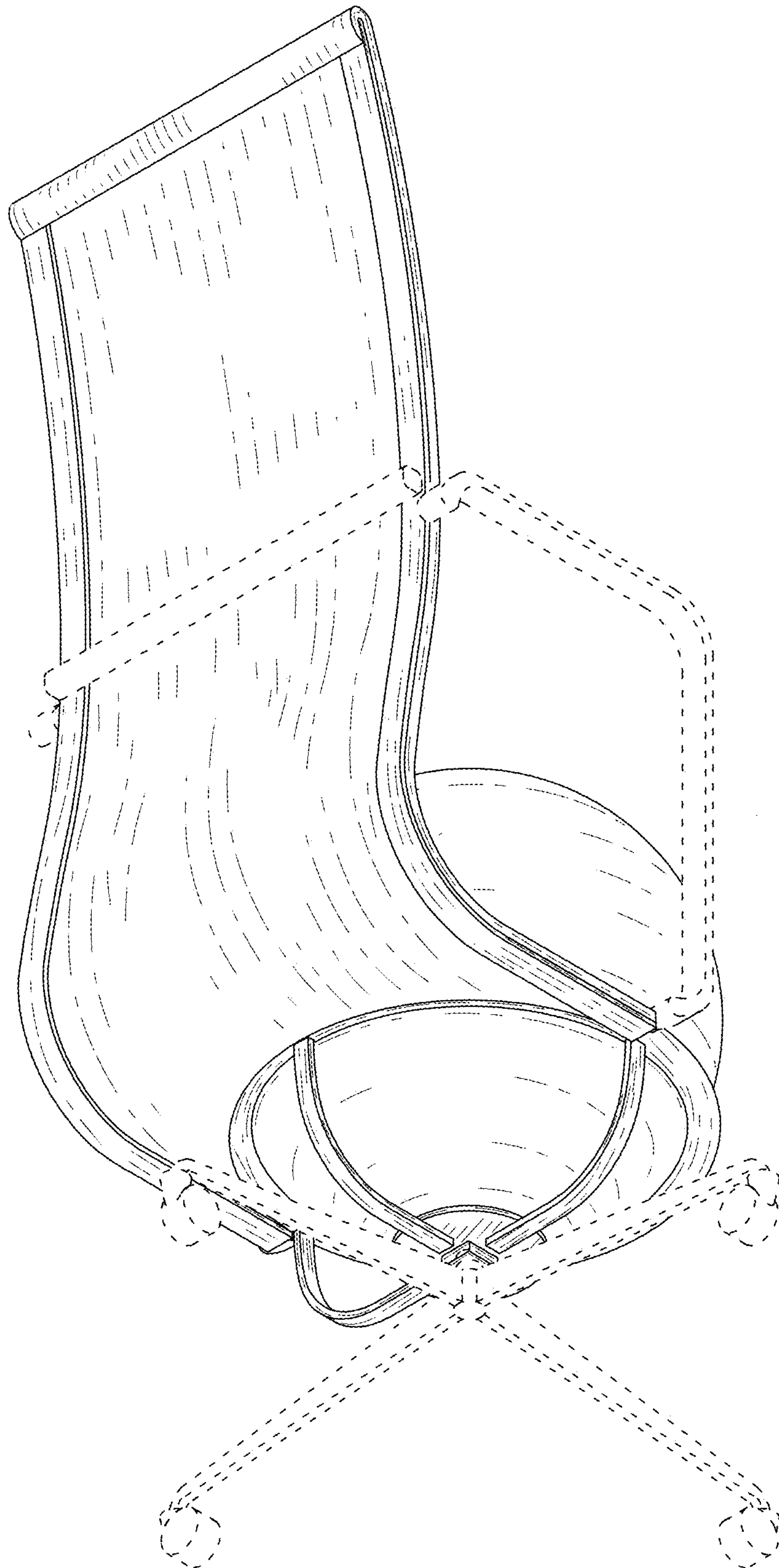


FIG. 2

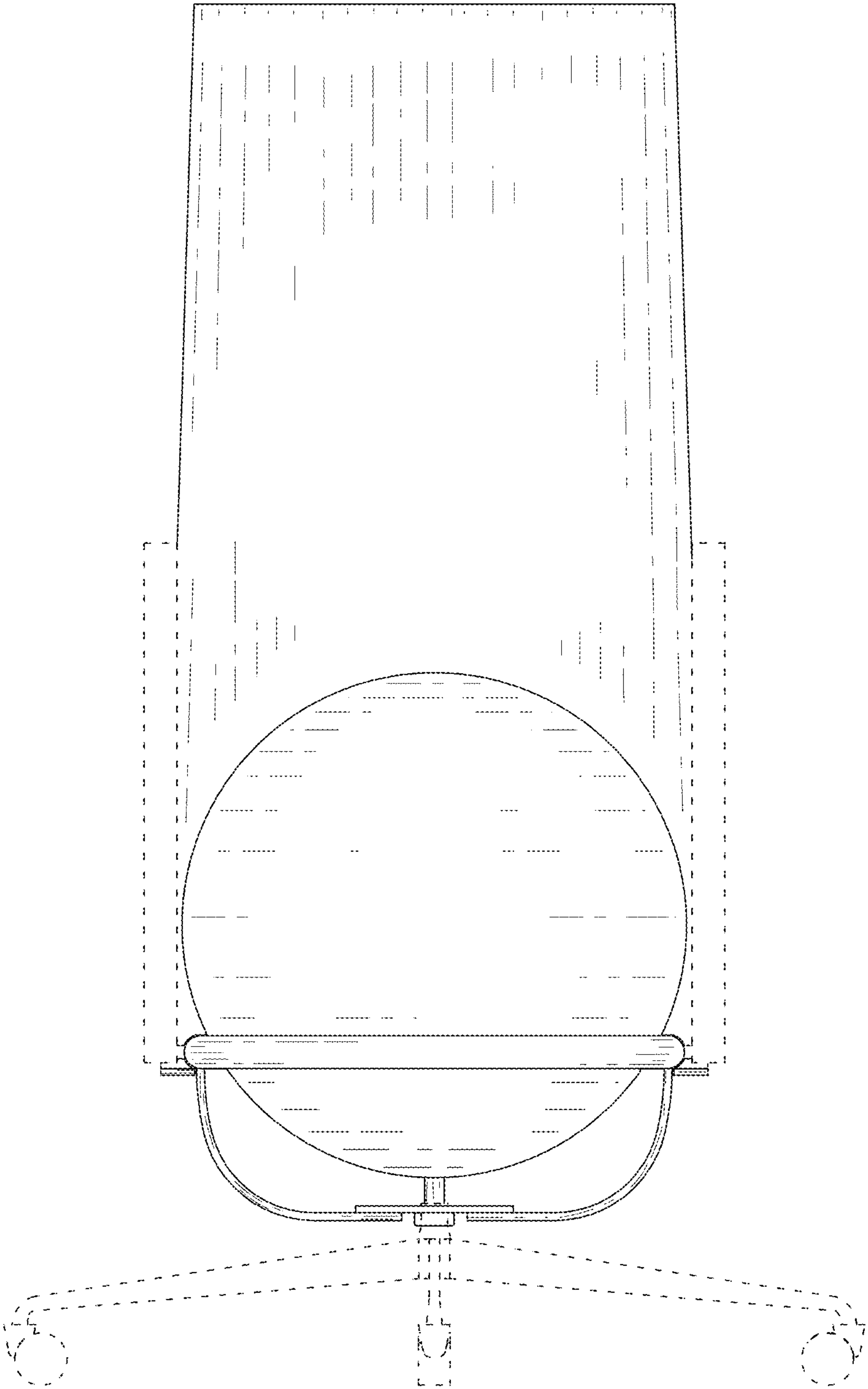


FIG. 3

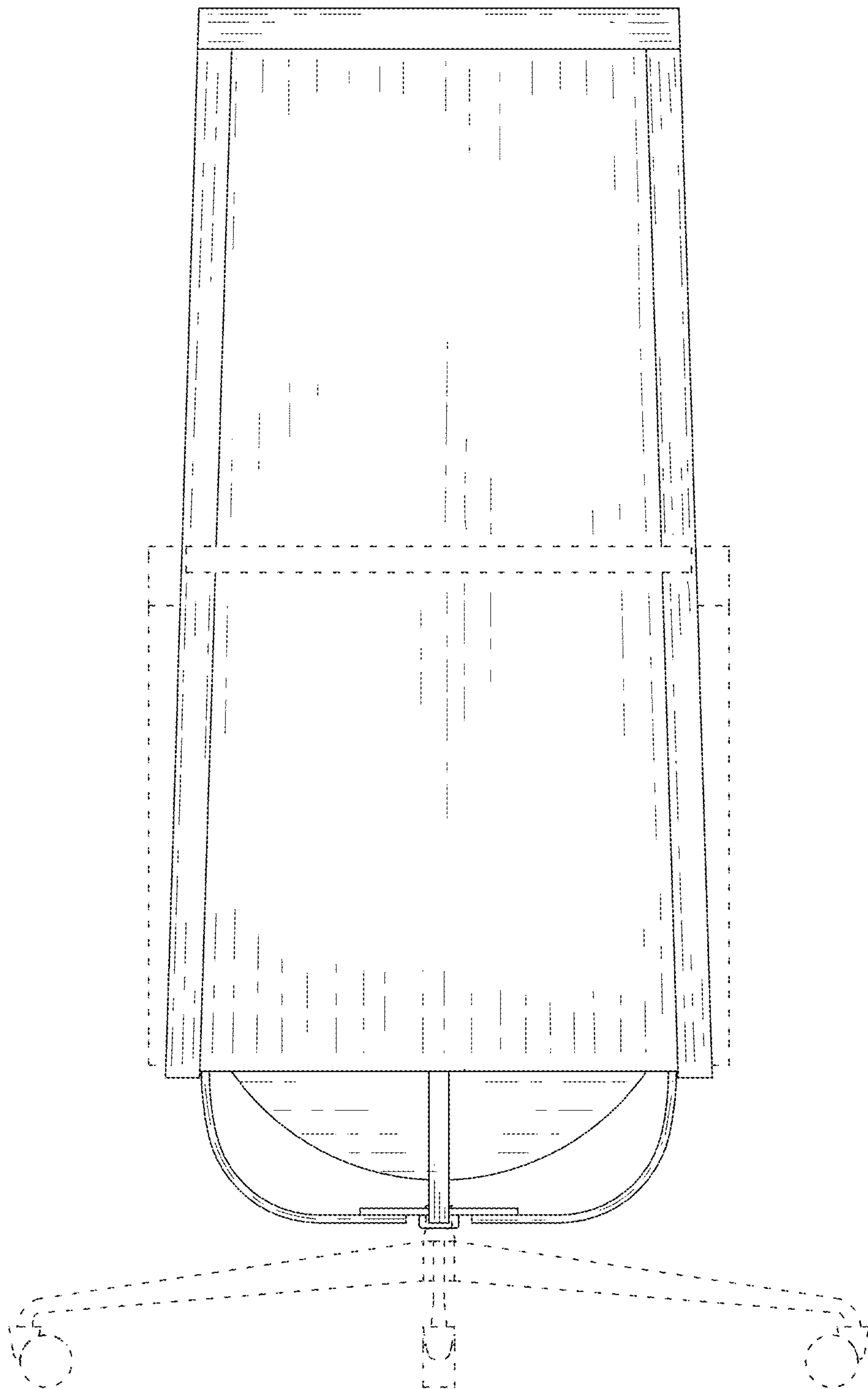


FIG. 4

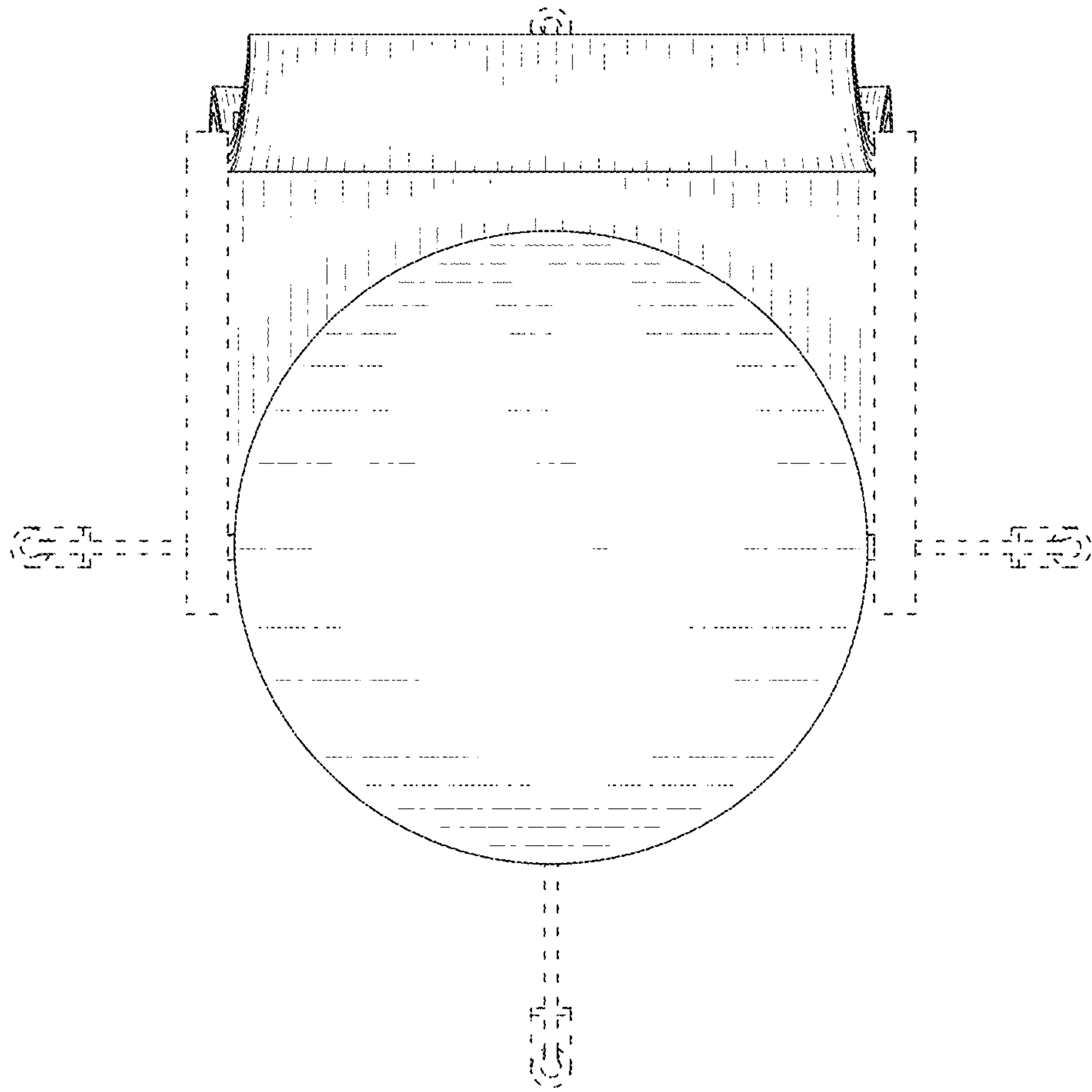


FIG. 5

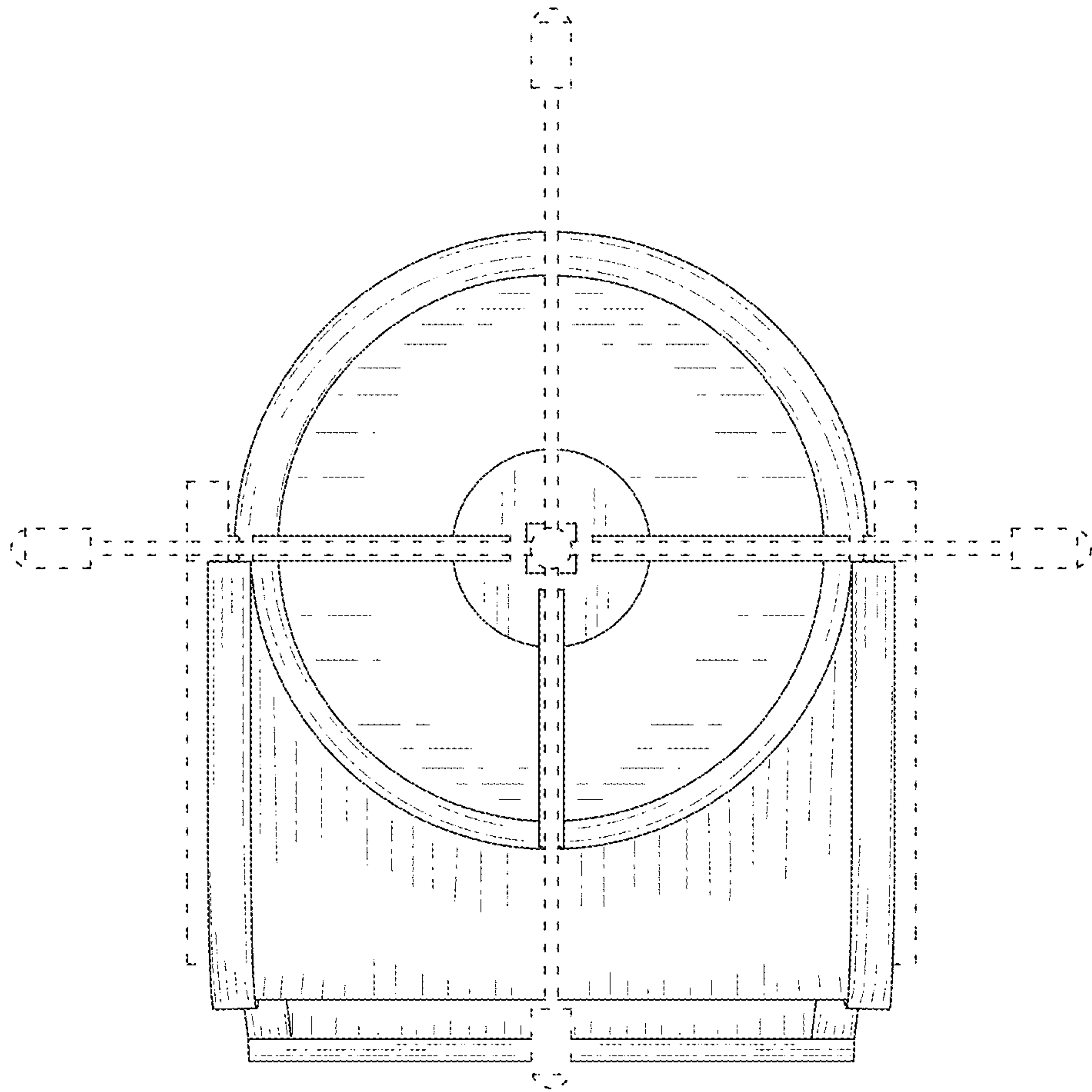


FIG. 6

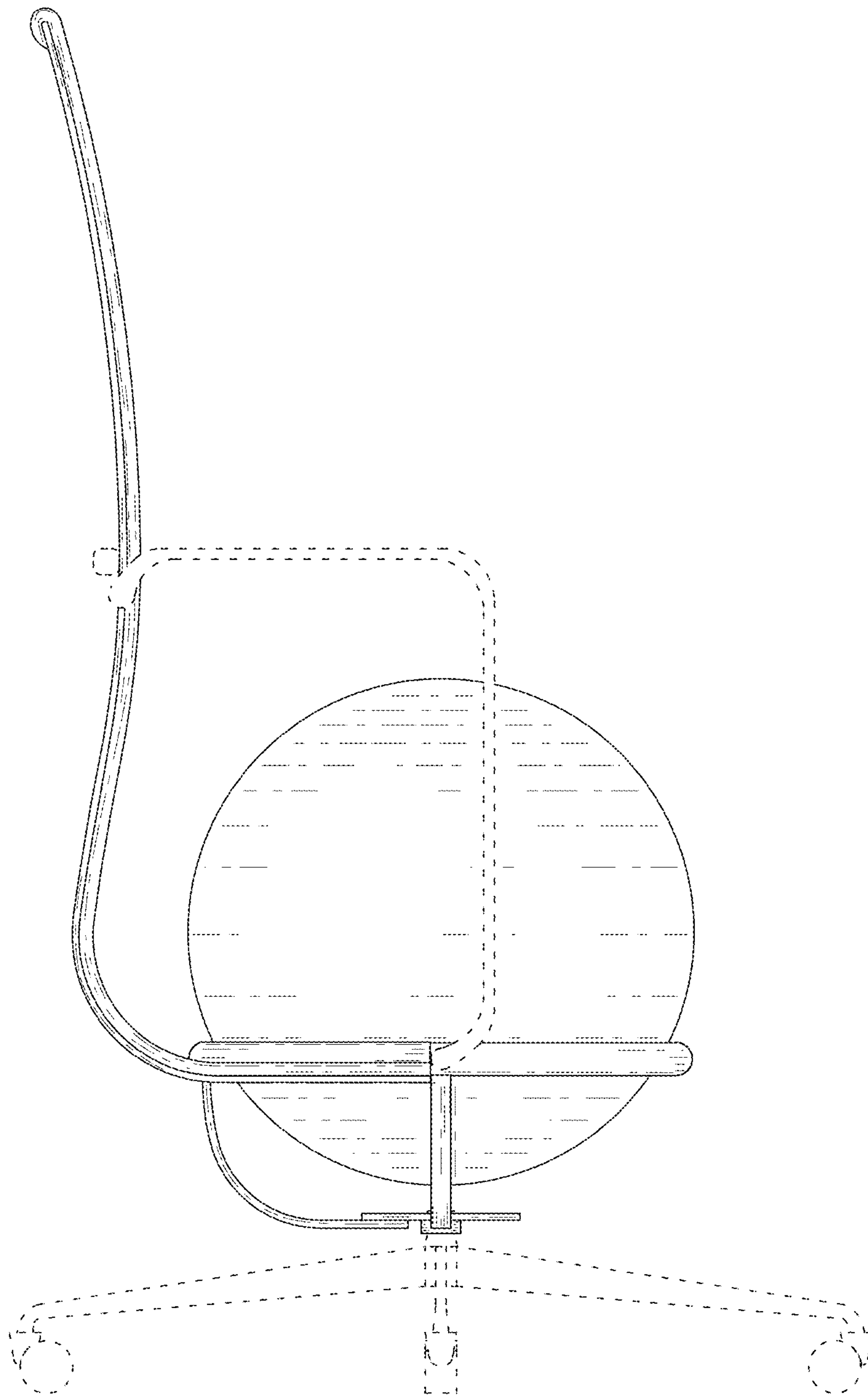


FIG. 7

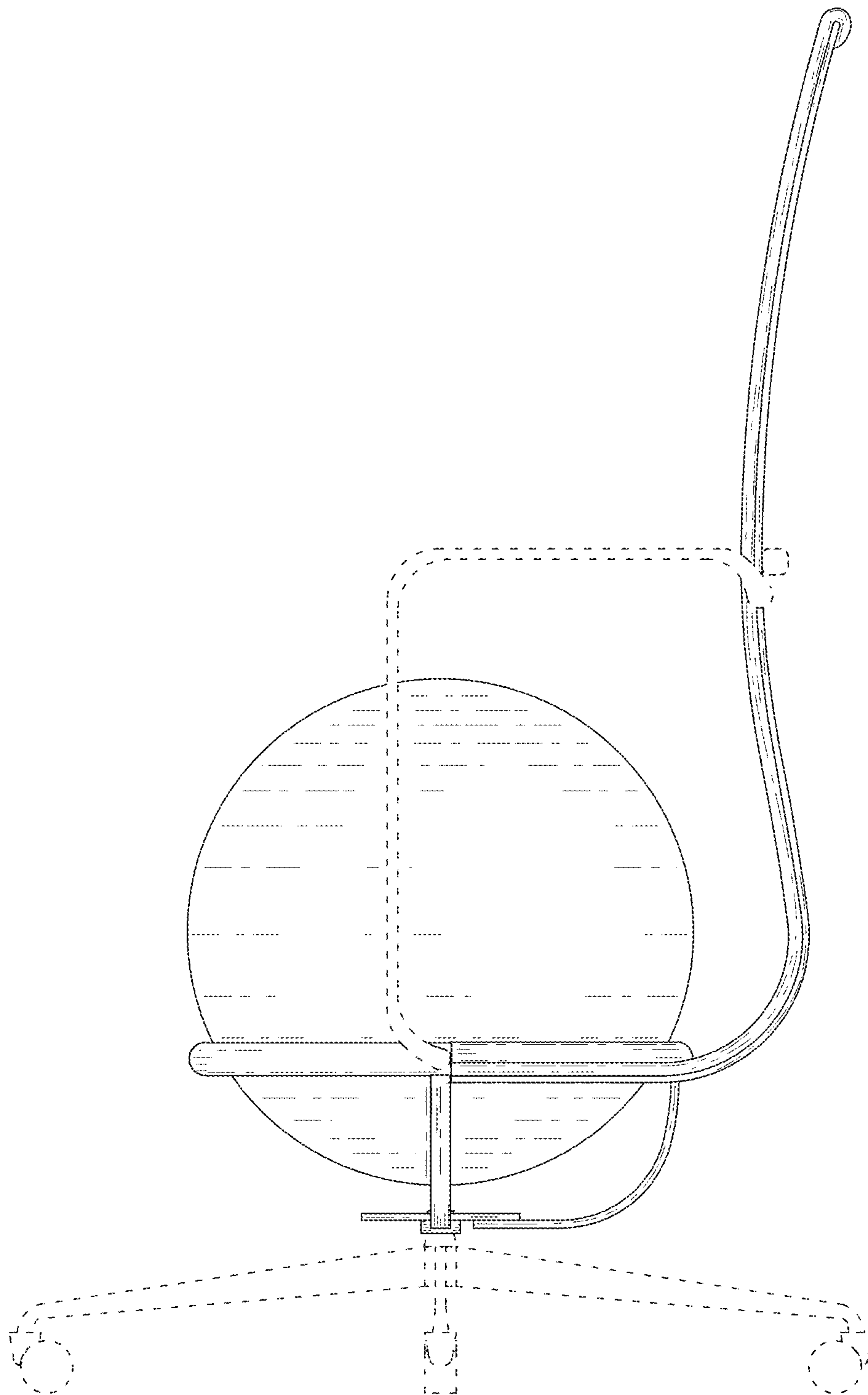


FIG. 8