



US00D897707S

(12) **United States Design Patent** (10) **Patent No.:** **US D897,707 S**
Mason et al. (45) **Date of Patent:** **** Oct. 6, 2020**

(54) **CHAIR**
(71) Applicant: **Flexibod Limited**, County Clare (IE)
(72) Inventors: **Damien Gerard Mason**, County Clare (IE); **James Robert Lynch**, Dublin (IE); **Mathew Gill Bates**, County Dublin (IE); **Simon Fredriksson**, Nacka (SE); **Brian Joseph Garvey**, County Mayo (IE)

D577,933 S * 10/2008 Haaksma D6/366
D683,149 S * 5/2013 Lu D6/366
D692,247 S * 10/2013 Opsvik D6/366
D763,588 S * 8/2016 Chen D6/366
D767,928 S * 10/2016 Silvonen D6/716
D770,789 S * 11/2016 Chen D6/366
D774,792 S * 12/2016 Haaksma D6/366
D777,462 S * 1/2017 Haaksma D6/366
D777,463 S * 1/2017 Haaksma D6/366

* cited by examiner

Primary Examiner — Mimoso De

(74) *Attorney, Agent, or Firm* — Sughrue Mion, PLLC

(73) Assignee: **Flexibod Limited**, County Clare (IE)
(**) Term: **15 Years**

(21) Appl. No.: **29/634,799**

(57) **CLAIM**

(22) Filed: **Jan. 24, 2018**

The ornamental design for a chair, as shown and described.

(30) **Foreign Application Priority Data**

Oct. 12, 2017 (EM) 004397412

(51) **LOC (12) Cl.** **06-01**

(52) **U.S. Cl.**
USPC **D6/366**

(58) **Field of Classification Search**
USPC D6/334–336, 364, 365, 366, 367, 374,
D6/379, 716, 716.1, 716.2, 716.4
CPC A47C 3/18; A47C 3/20; A47C 4/06; A47C
5/04; A47C 5/06; A47C 7/004; A47C
7/18; A47C 7/24; A47C 7/40; A47C 7/46;
A47C 7/54

See application file for complete search history.

(56) **References Cited**

U.S. PATENT DOCUMENTS

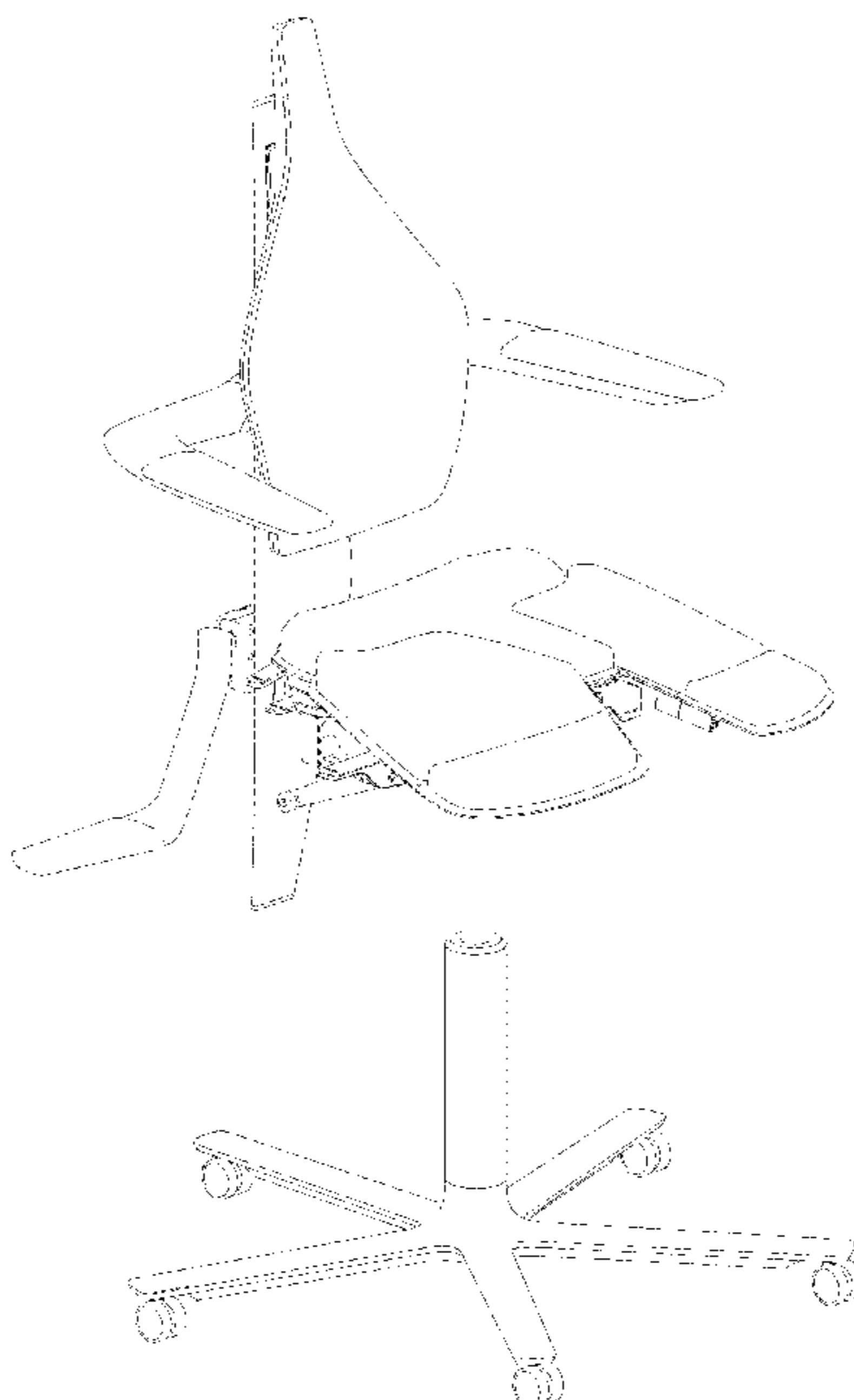
D289,708 S * 5/1987 Rykken D6/367
D547,959 S * 8/2007 Adams D6/366

DESCRIPTION

All of the material from the European Community Design Application which is essential to the claimed design is included herein. Any material in the European Community Design Application which is not present herein forms no part of the claimed design.

FIG. 1 is a front perspective view from the front, the top and one side of a chair according to the design,
FIG. 2 is a perspective view from the rear, the top and the other side to that of FIG. 1 of the chair of FIG. 1,
FIG. 3 is a front elevational view of the chair of FIG. 1,
FIG. 4 is a rear elevational view of the chair of FIG. 1,
FIG. 5 is a top plan view of the chair of FIG. 1,
FIG. 6 is a side elevational view of the chair of FIG. 1; and,
FIG. 7 is a side elevational view of the chair of FIG. 1, from the other side to that of FIG. 6.

1 Claim, 7 Drawing Sheets



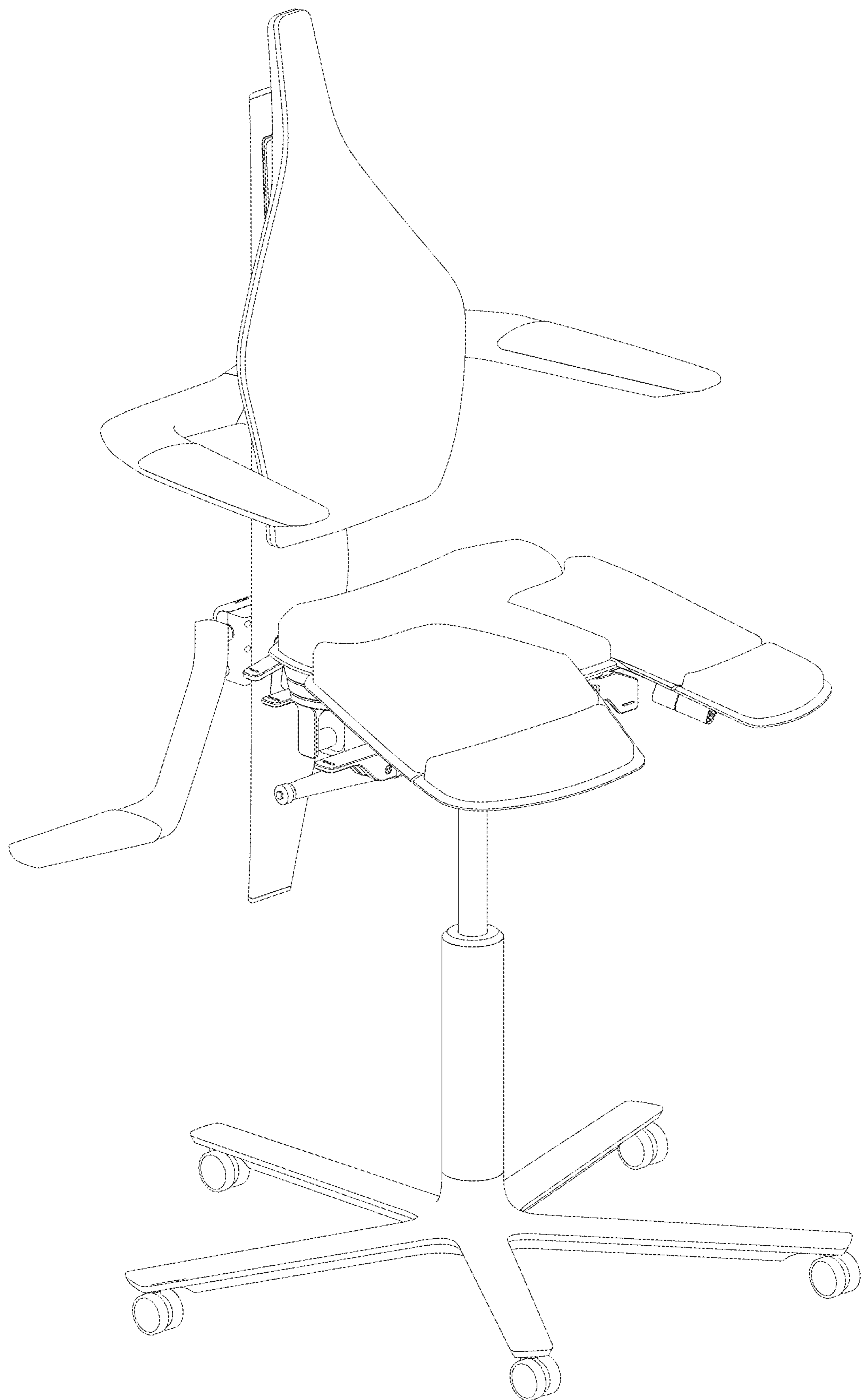


Fig. 1

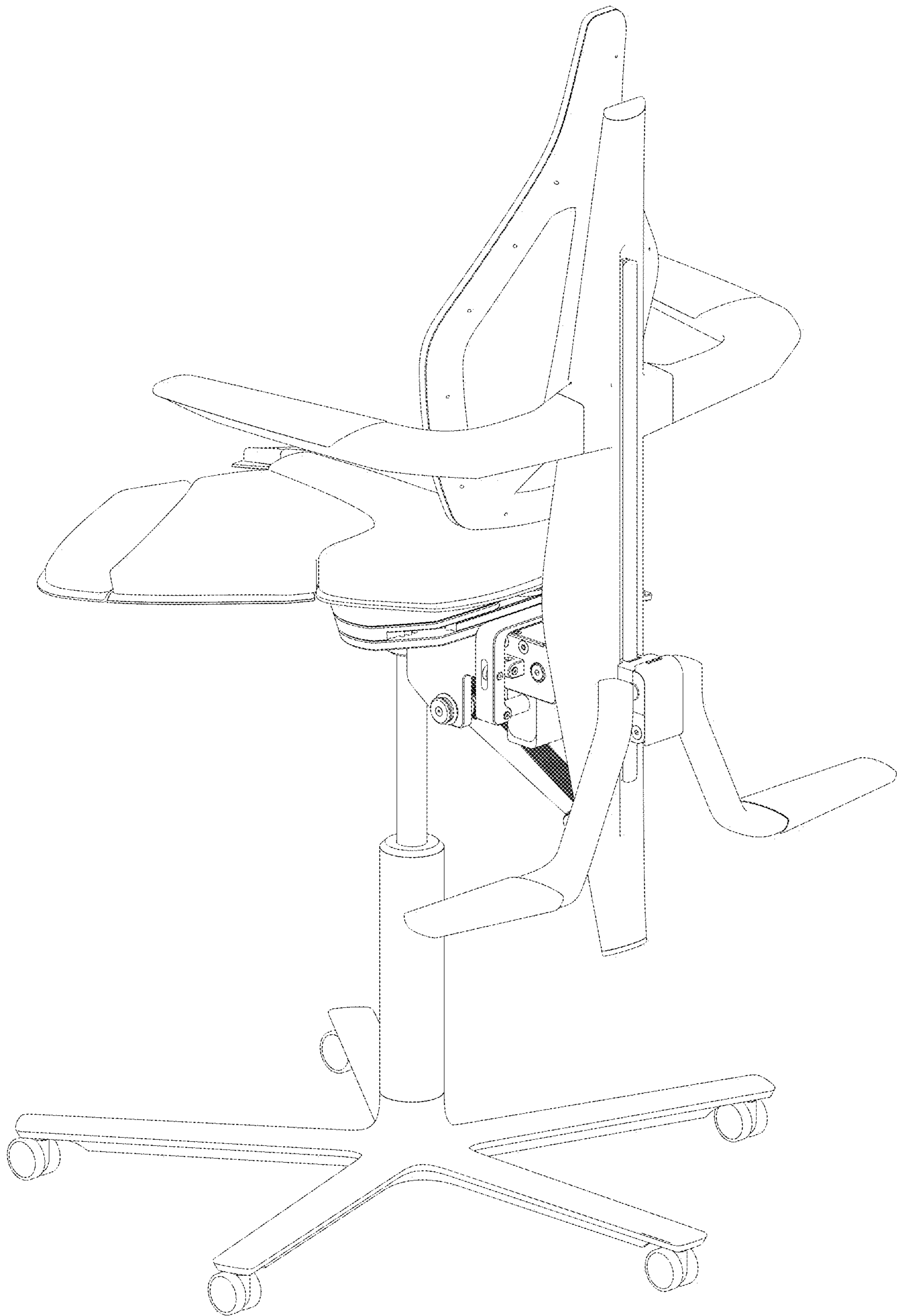


Fig. 2

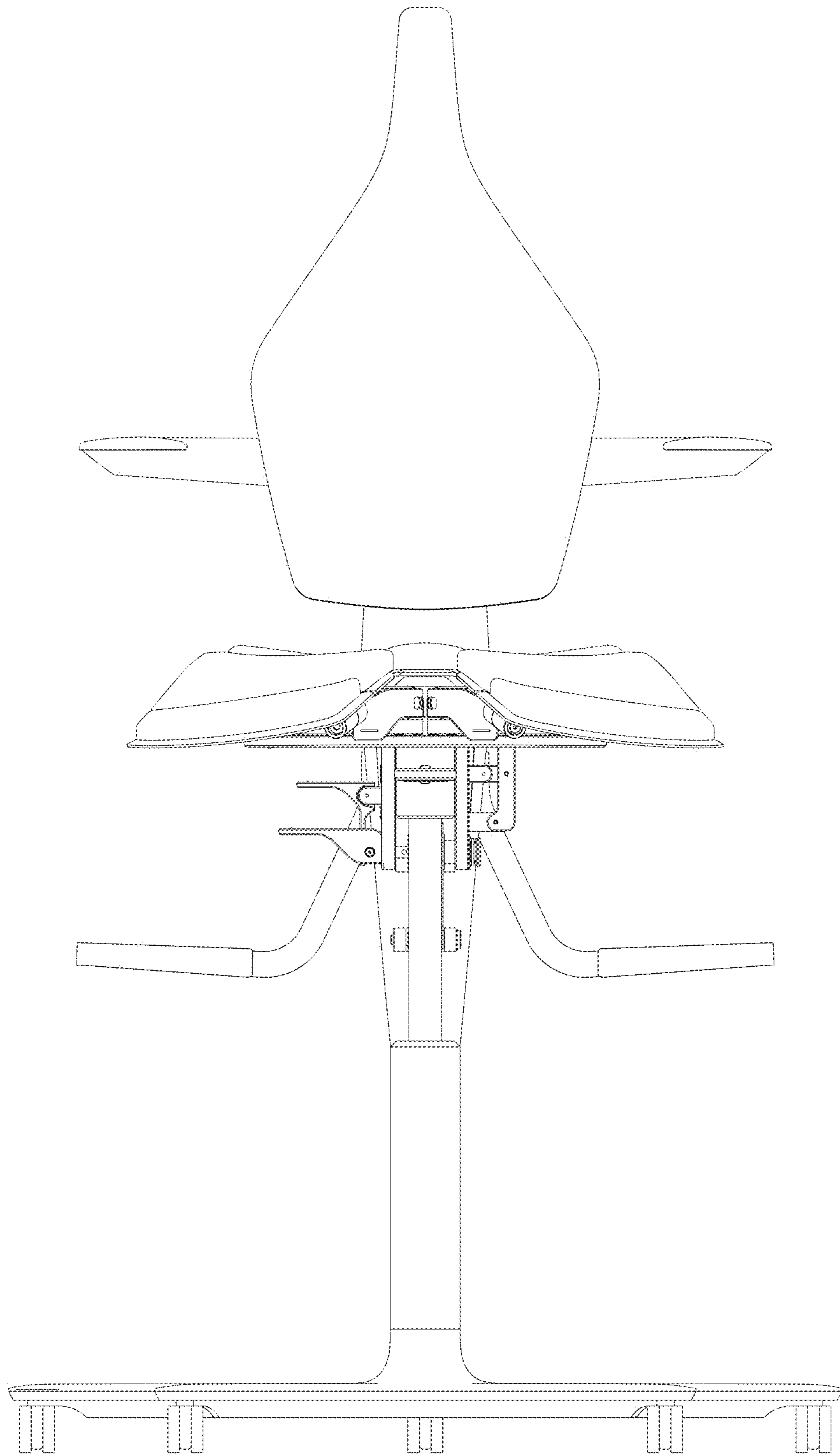


Fig. 3

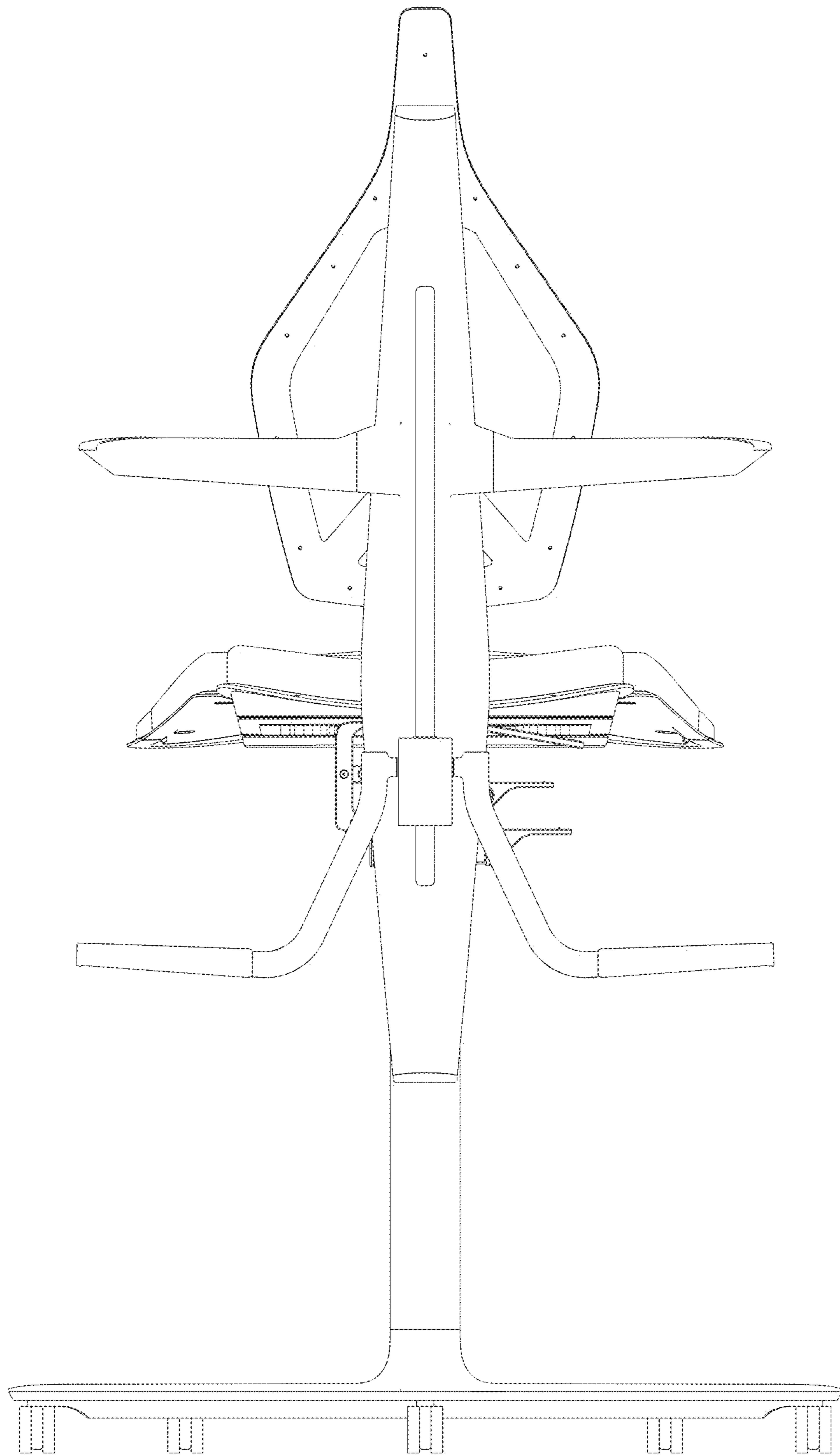


Fig. 4

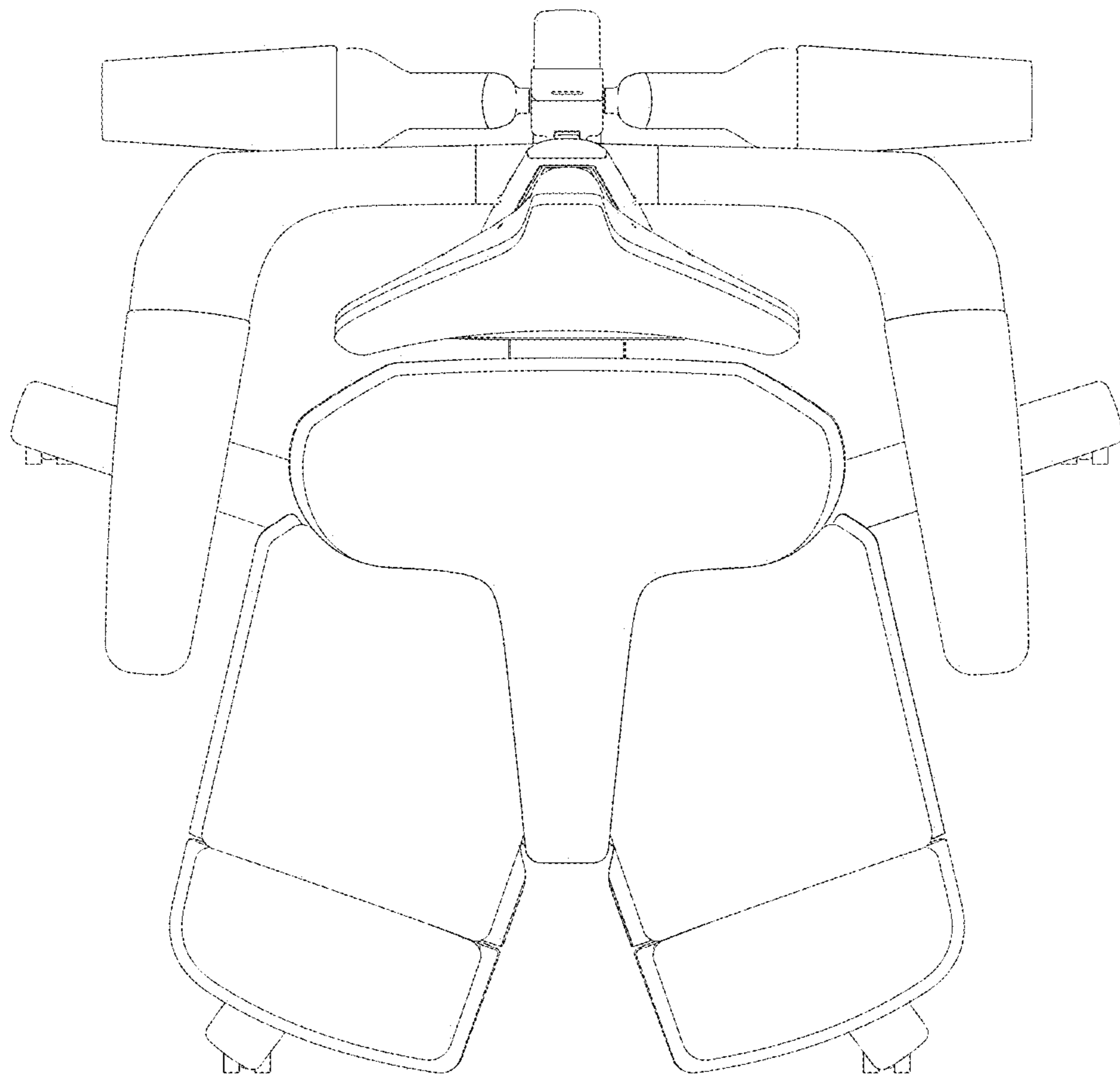


Fig. 5

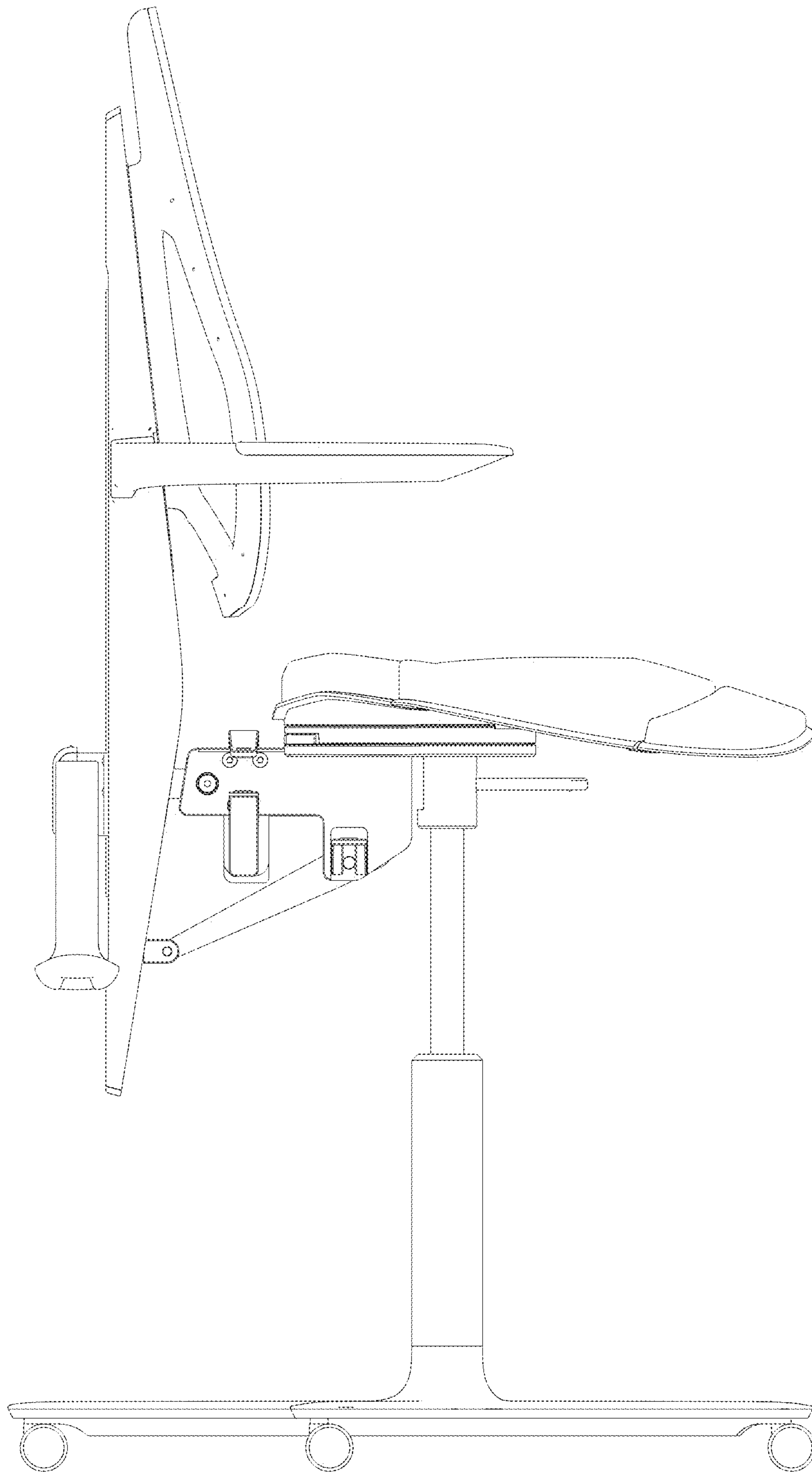


Fig. 6

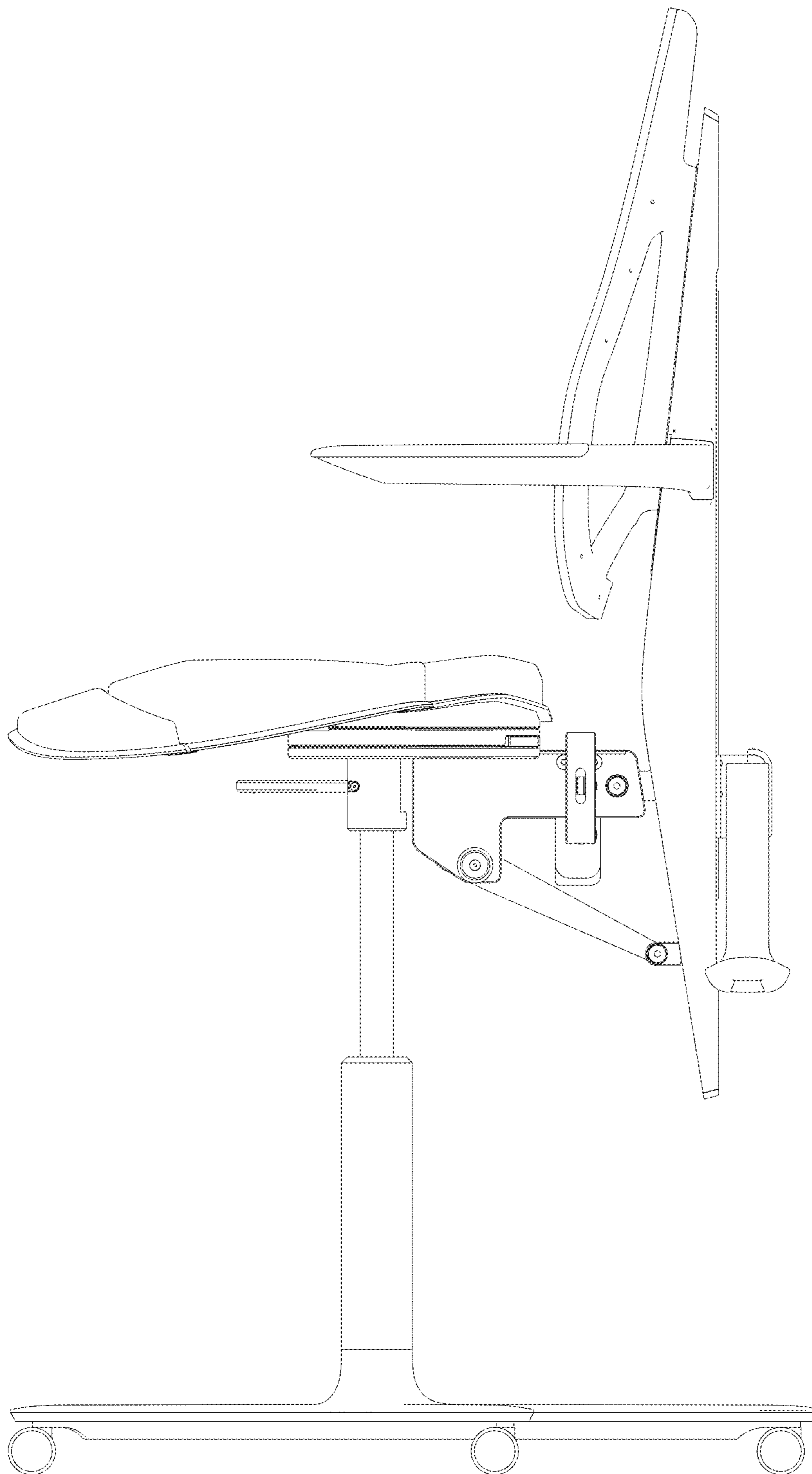


Fig. 7