



US00D897704S

(12) **United States Design Patent**
Giotti

(10) **Patent No.:** **US D897,704 S**

(45) **Date of Patent:** **** Oct. 6, 2020**

- (54) **CHAIR (LEAF)**
- (71) Applicant: **TON a.s.**, Bystrice pod Hostýnem (CZ)
- (72) Inventor: **Gaia Giotti**, Florence (IT)
- (73) Assignee: **TON A.S.**, Bystrice Pod Hostýnem (CZ)
- (**) Term: **15 Years**

D400,721 S *	11/1998	Baeriswyl	D6/360
D607,661 S *	1/2010	Chadwick	D6/380
D760,525 S *	7/2016	Piretti	D6/380
D761,606 S *	7/2016	Piretti	D6/380
D785,966 S *	5/2017	Dinunzio	D6/374
D799,849 S *	10/2017	Giotti	D6/380
D800,467 S *	10/2017	Galiotto	D6/360
D807,074 S *	1/2018	Chen	D6/380
D814,203 S *	4/2018	Liu	D6/360
D818,279 S *	5/2018	Chiaramonte	D6/352
D850,138 S *	6/2019	Taraba	D6/380
D867,778 S *	11/2019	Giotti	D6/360

(21) Appl. No.: **29/702,699**

* cited by examiner

(22) Filed: **Aug. 21, 2019**

Primary Examiner — Kevin K Rudzinski

Related U.S. Application Data

Assistant Examiner — Paul D Bohannon

(62) Division of application No. 29/643,799, filed on Apr. 11, 2018, now Pat. No. Des. 867,778.

(74) *Attorney, Agent, or Firm* — Fross Zelnick Lehrmn & Zissu, P.C.; Charles T. J. Weigell, Esq.

(30) **Foreign Application Priority Data**

(57) **CLAIM**

Oct. 17, 2017 (EM) 004408946

The ornamental design for a chair (leaf), as shown and described.

(51) **LOC (12) Cl.** **06-01**

(52) **U.S. Cl.**
USPC **D6/360**

DESCRIPTION

(58) **Field of Classification Search**
USPC D6/334, 341, 349, 352, 353, 360, 364,
D6/373, 375, 677, 692, 700, 708, 716,
D6/350, 369, 708.16
CPC A47C 3/34; A47C 7/506; A47C 9/007;
A47C 13/023; A47C 4/028; A47C 4/02
See application file for complete search history.

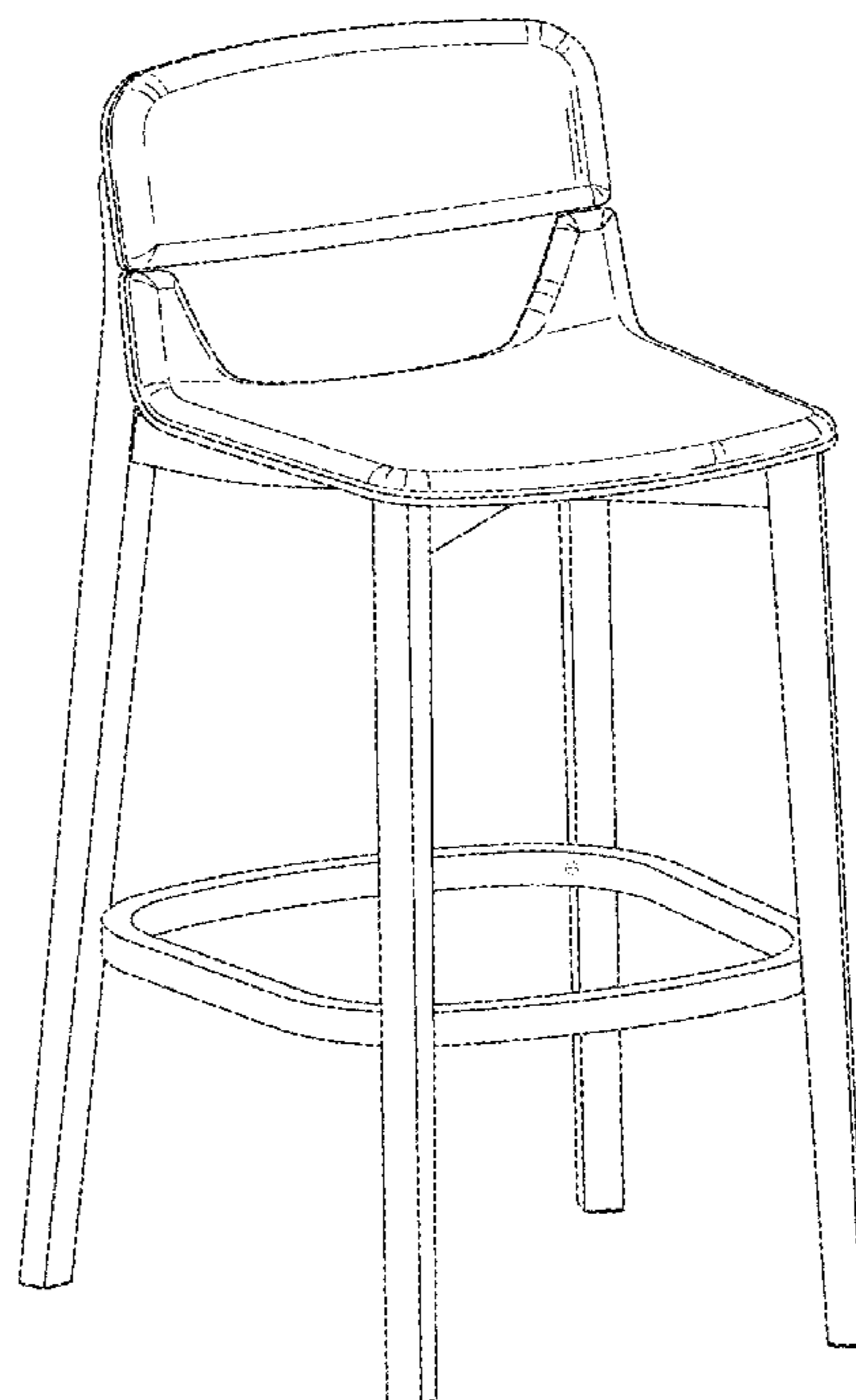
FIG. 1 is a front perspective view of a chair showing my new design;
FIG. 2 is a right side view thereof, with the left side view being a mirror image thereof;
FIG. 3 is a front view thereof;
FIG. 4 is a back view thereof;
FIG. 5 is a top view thereof; and,
FIG. 6 is a bottom view thereof.
The broken lines shown in FIGS. 1 and 6 are for the purpose of illustrating environmental subject matter and form no part of the claimed design.

(56) **References Cited**

U.S. PATENT DOCUMENTS

D199,902 S *	12/1964	Petersen	D6/374
D307,837 S *	5/1990	Grant	D6/372

1 Claim, 6 Drawing Sheets



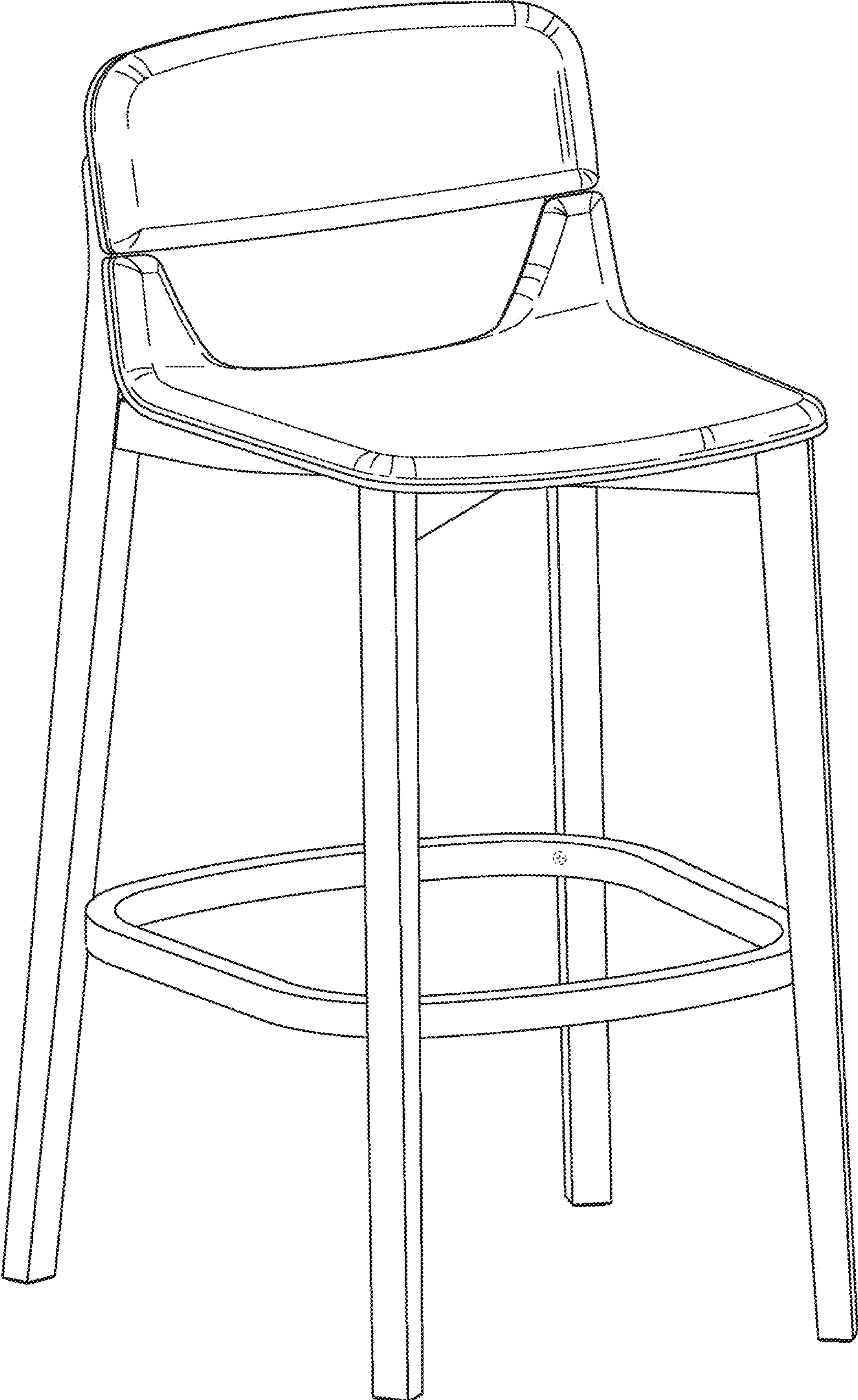


FIG. 1

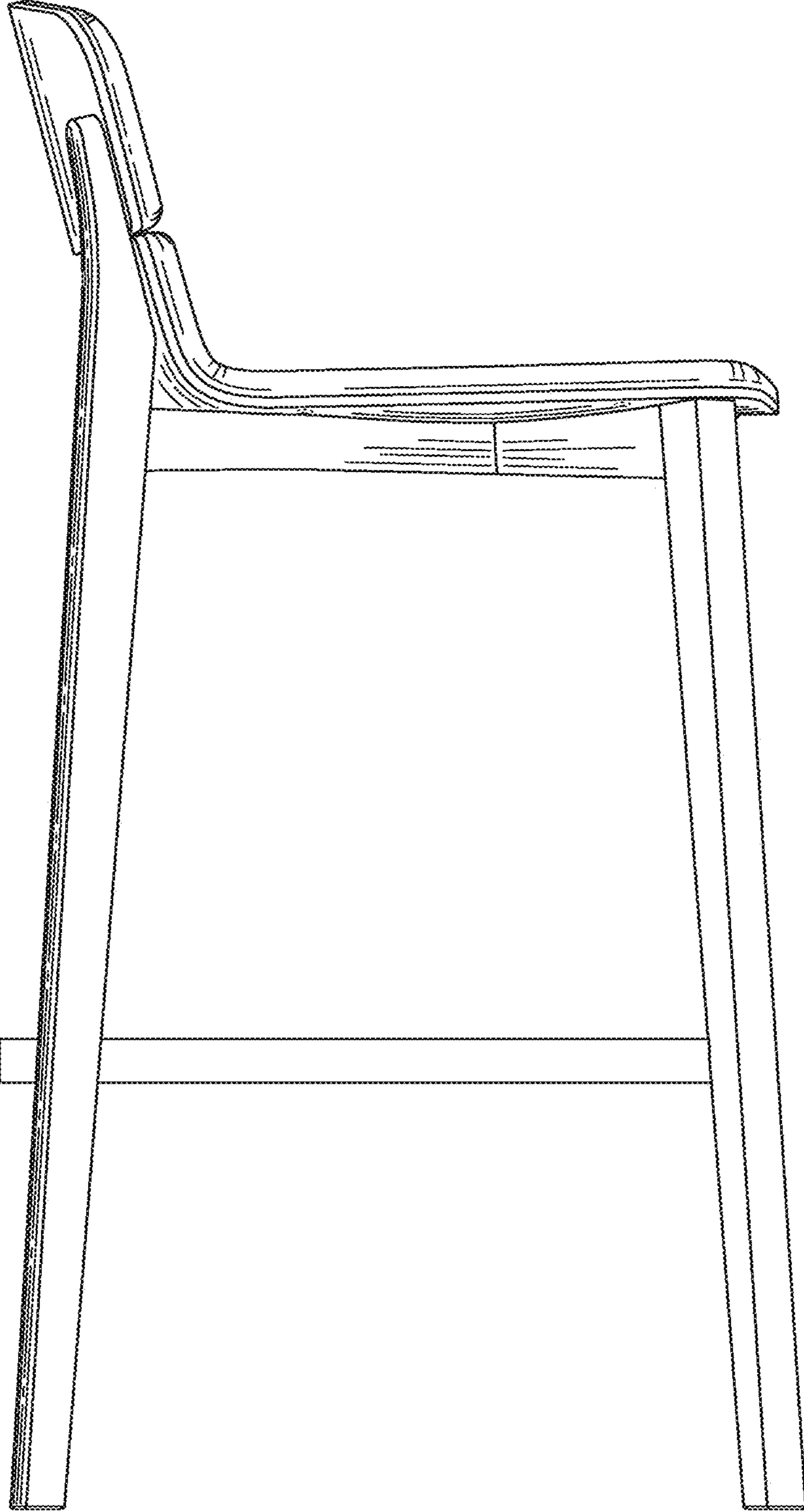


FIG. 2

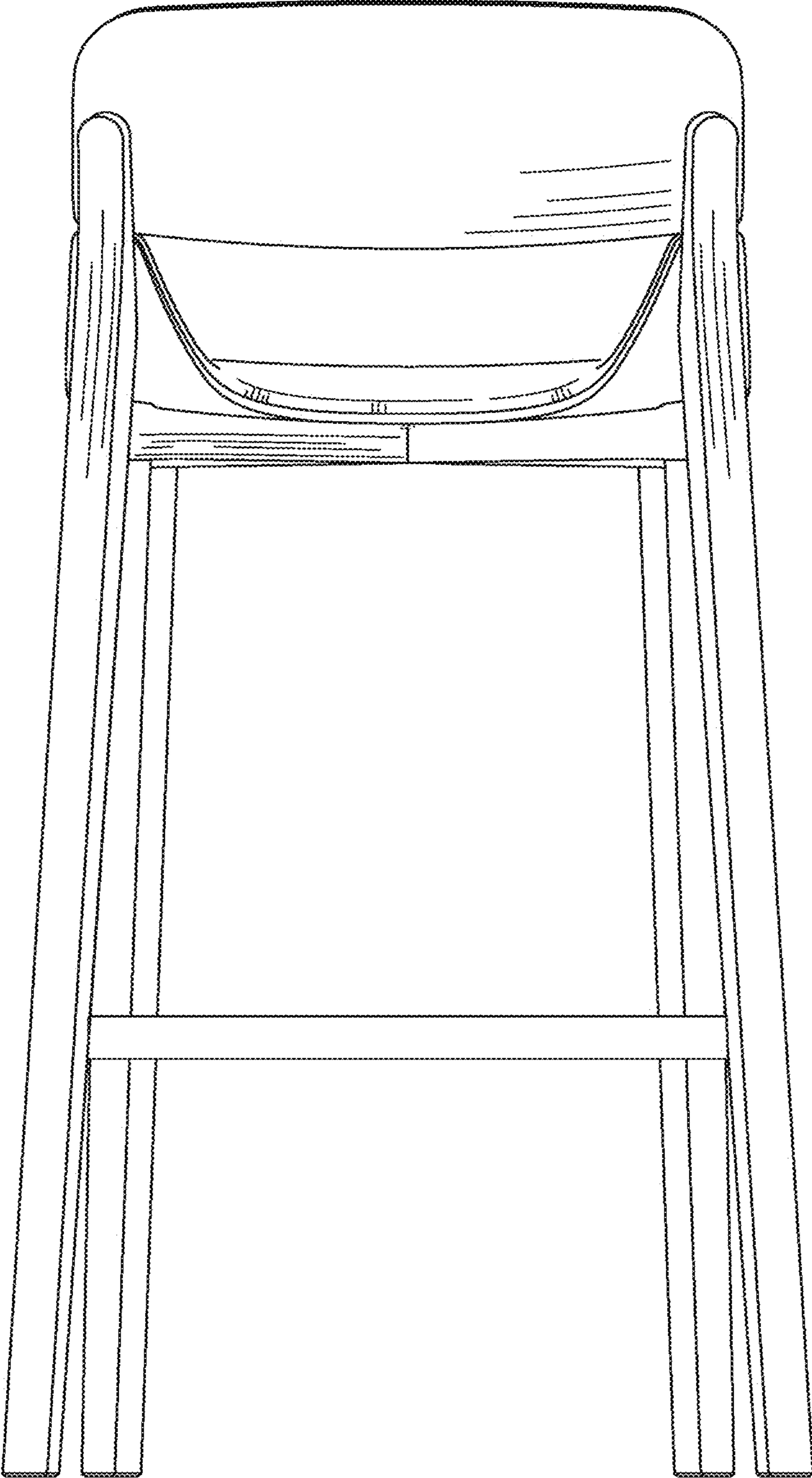


FIG. 3

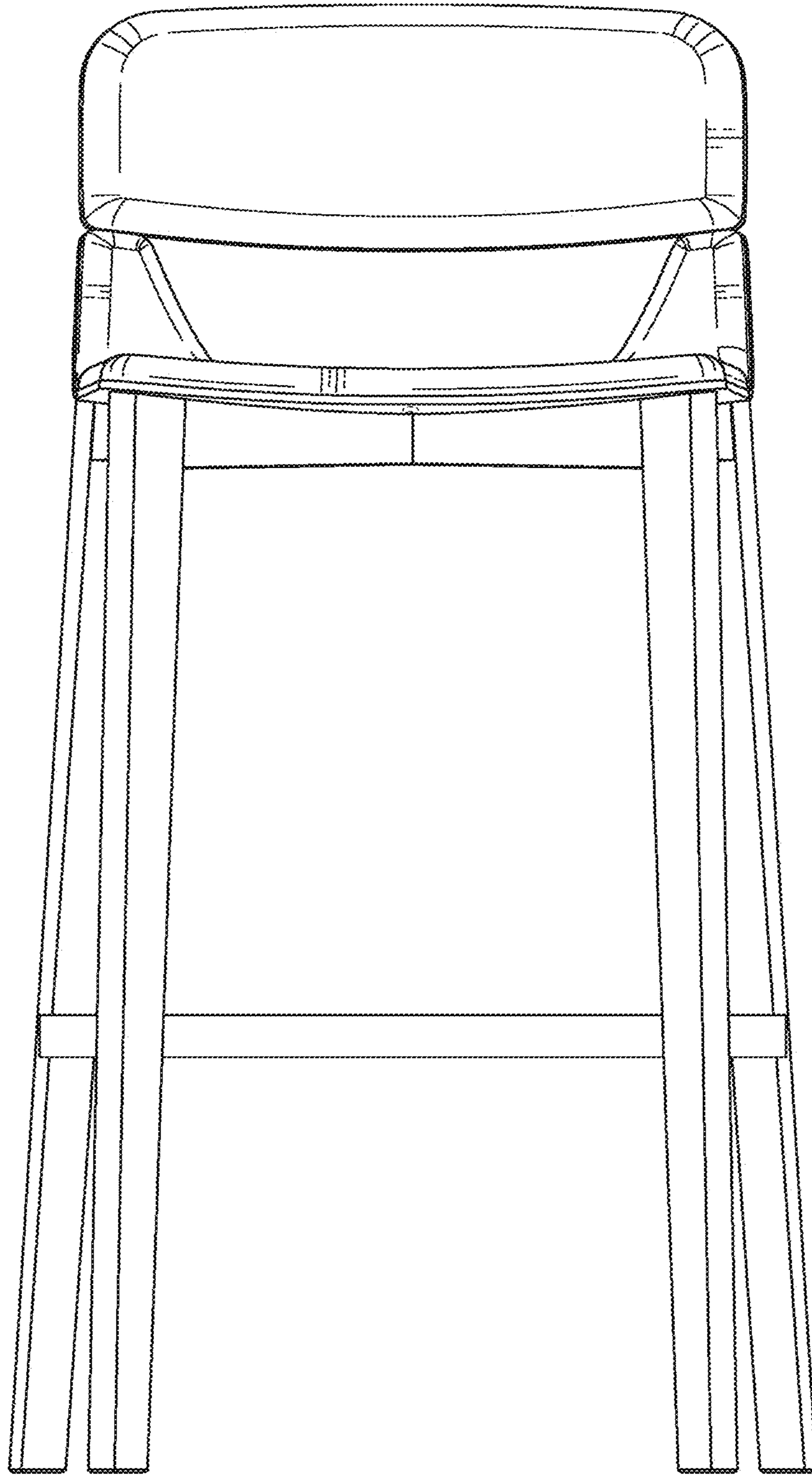


FIG. 4

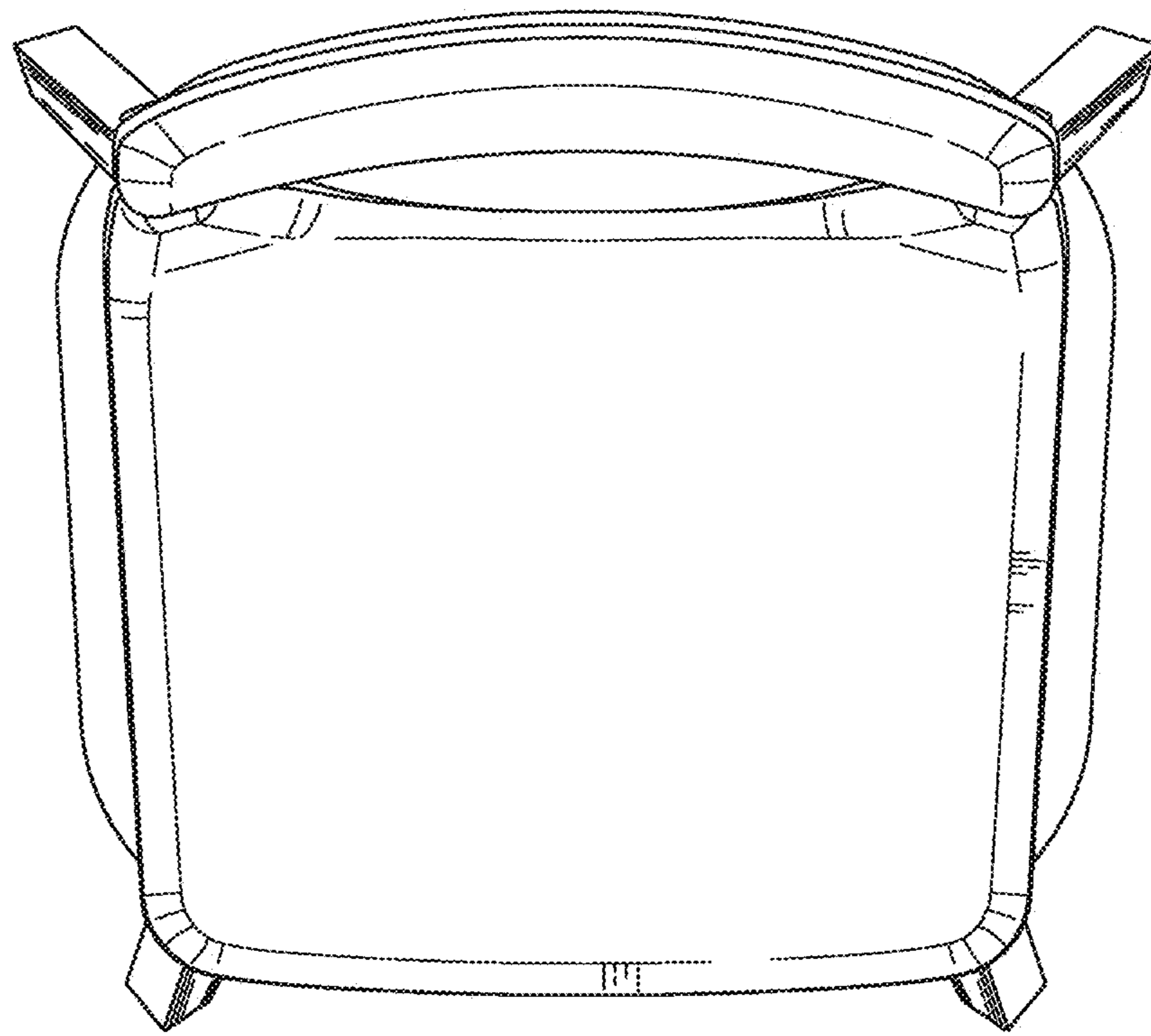


FIG. 5

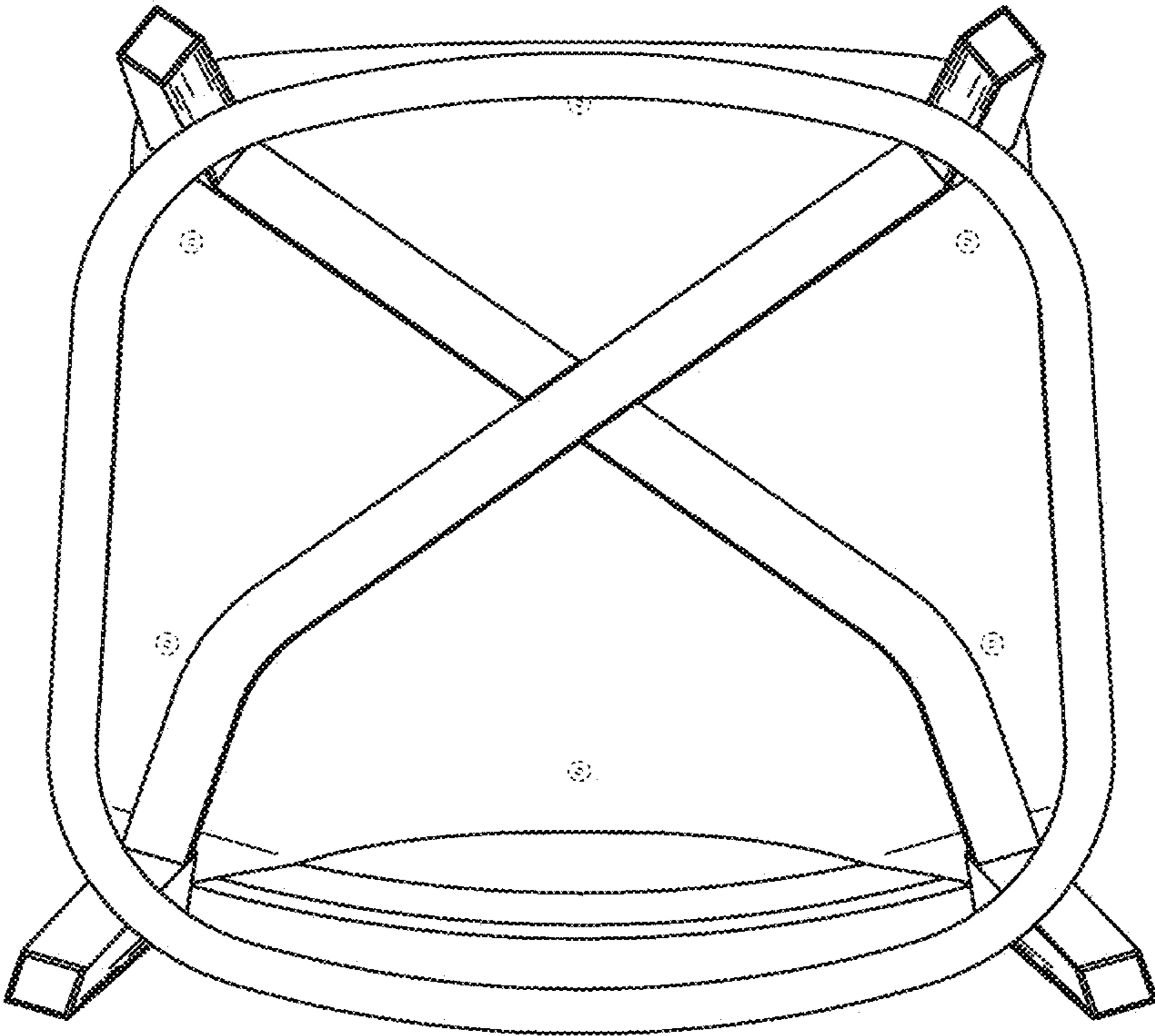


FIG. 6