



US00D897699S

(12) **United States Design Patent**
Yamamoto

(10) **Patent No.:** **US D897,699 S**

(45) **Date of Patent:** **** Oct. 6, 2020**

(54) **PARTITION PANEL PORTION**

D639,462 S * 6/2011 Martin D25/100
D852,277 S * 6/2019 Wyllie D21/303
D859,529 S * 9/2019 Burris D21/303

(71) Applicant: **Okamura Corporation**, Yokohama-shi,
Kanagawa (JP)

* cited by examiner

(72) Inventor: **Takayuki Yamamoto**, Yokohama (JP)

Primary Examiner — Doris Clark

(73) Assignee: **Okamura Corporation**, Yokohama-shi,
Kanagawa (JP)

(74) *Attorney, Agent, or Firm* — Banner & Witcoff, Ltd.

(**) Term: **15 Years**

(57) **CLAIM**

(21) Appl. No.: **29/660,948**

The ornamental design for a partition panel portion, as shown and described.

(22) Filed: **Aug. 23, 2018**

(51) **LOC (12) Cl.** **06-06**

(52) **U.S. Cl.**

USPC **D6/332; D25/155**

(58) **Field of Classification Search**

USPC D25/138, 152, 153, 155; D6/332
CPC . E04B 2/00; E04B 2/74; E04B 2/7401; E04B
2/7498; E04B 1/00; E04C 2/00; E04C
2/005

See application file for complete search history.

DESCRIPTION

FIG. 1 is a perspective view of a partition panel portion showing my new design;

FIG. 2 is a front view thereof;

FIG. 3 is a rear view thereof;

FIG. 4 is a partial enlarged view thereof, taken along line 4 of FIG. 1;

FIG. 5 is a partial enlarged view thereof, taken along line 5 of FIG. 2; and,

FIG. 6 is a cross-sectional view thereof, taken along the line 6-6 in FIG. 5.

The broken lines shown in the drawings illustrate portions of the partition panel portion that form no part of the claimed design. The dash-dot lines shown in the drawings define the bounds of the claimed design that form no part of the claimed design.

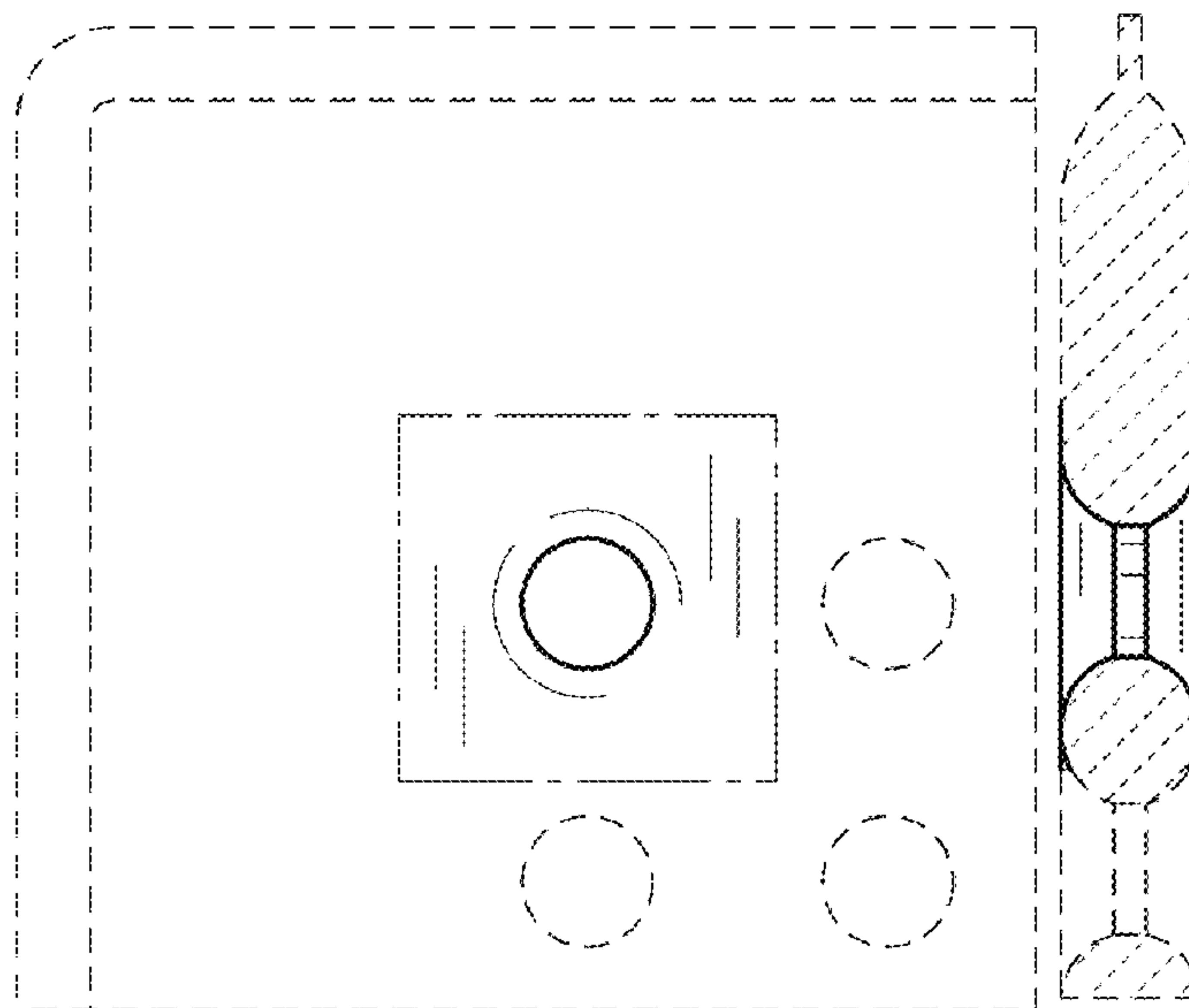
(56) **References Cited**

U.S. PATENT DOCUMENTS

4,347,796 A * 9/1982 King F42D 5/045
109/49.5
D415,580 S * 10/1999 Keating D25/138
D431,394 S * 10/2000 Ciavarella D6/553
6,557,310 B2 * 5/2003 Marshall A47B 83/001
52/220.1
D492,516 S * 7/2004 Nemec D6/703.4

1 Claim, 5 Drawing Sheets

6 ←



6 ←

FIG. 1

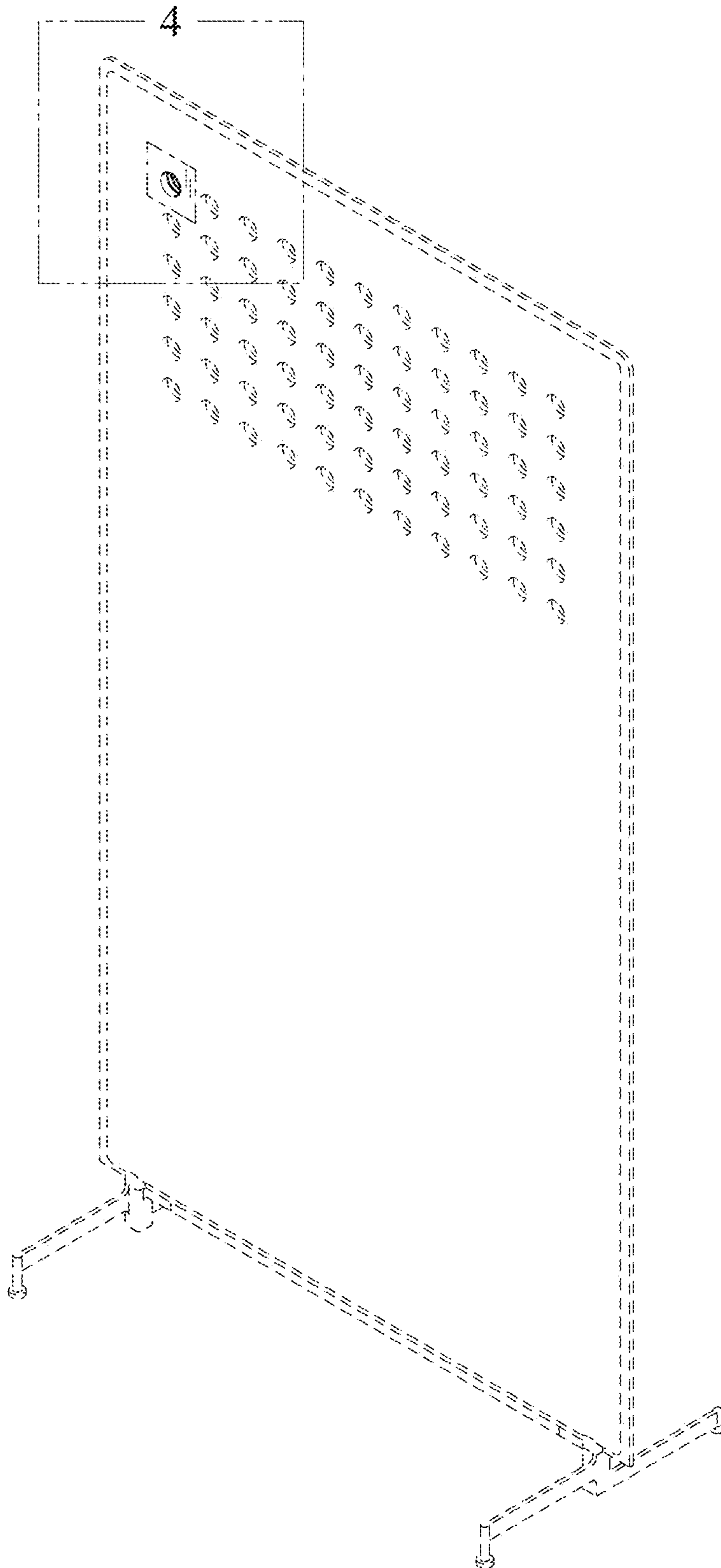


FIG. 2

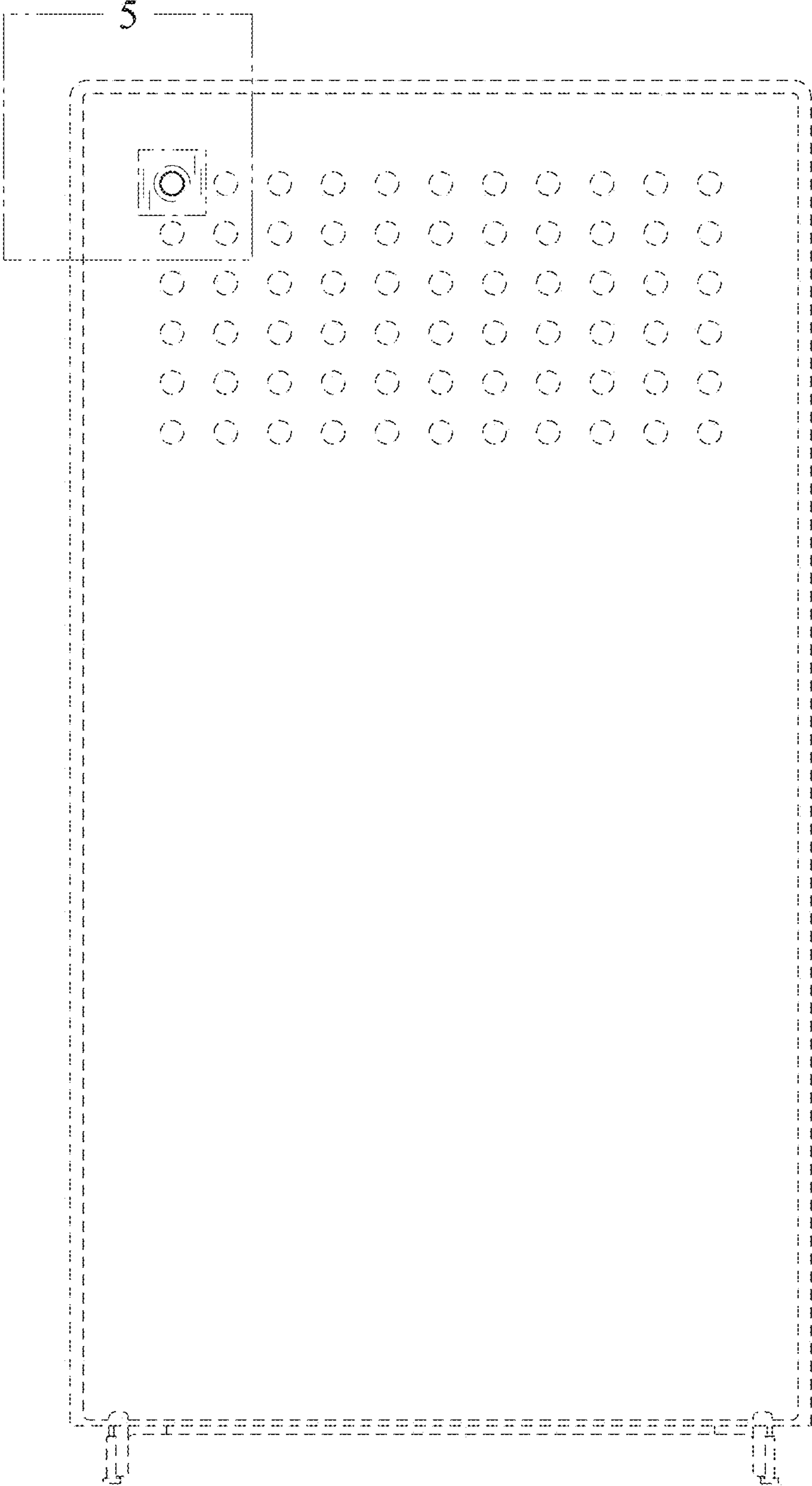


FIG. 3

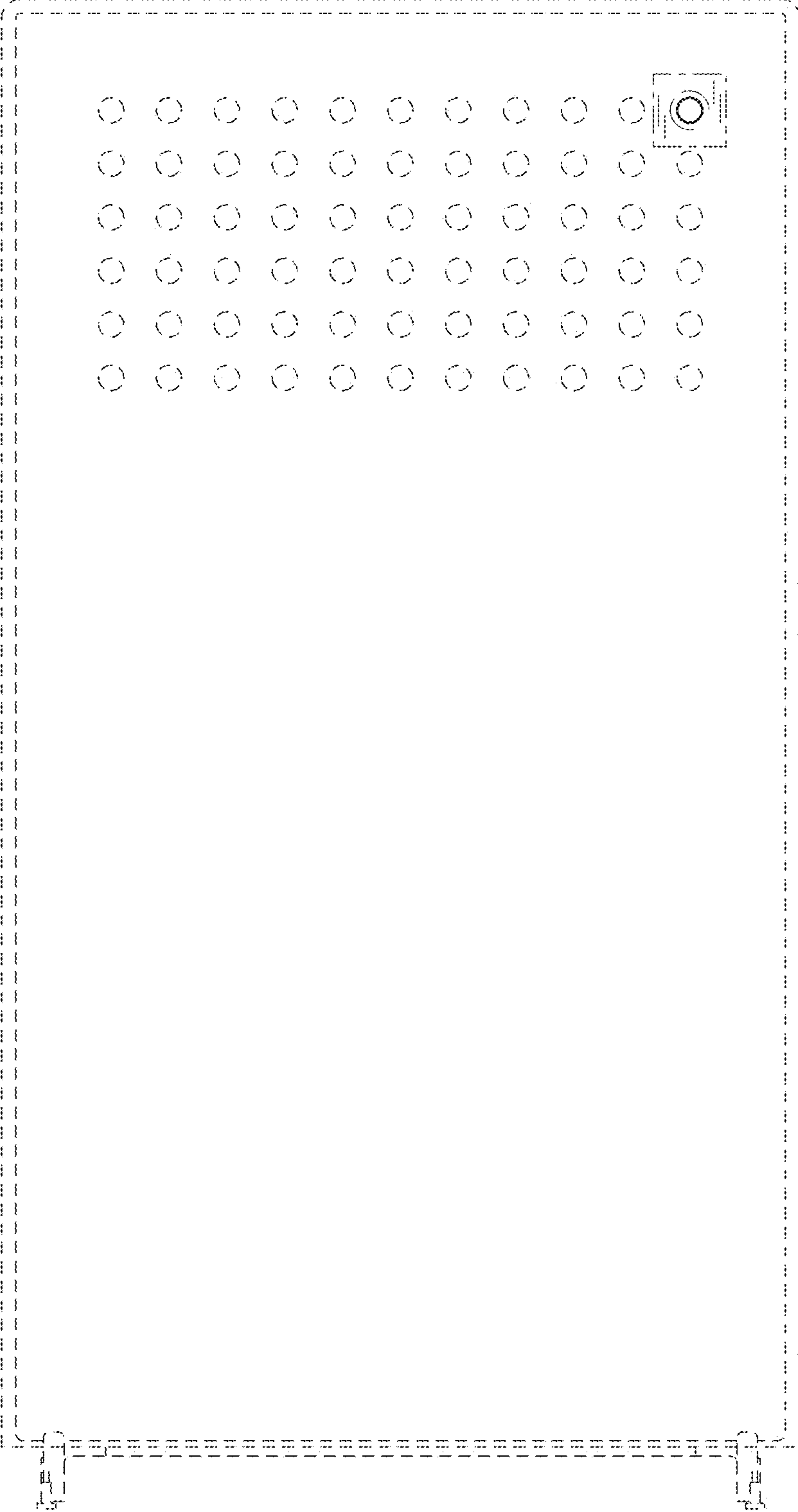


FIG. 4

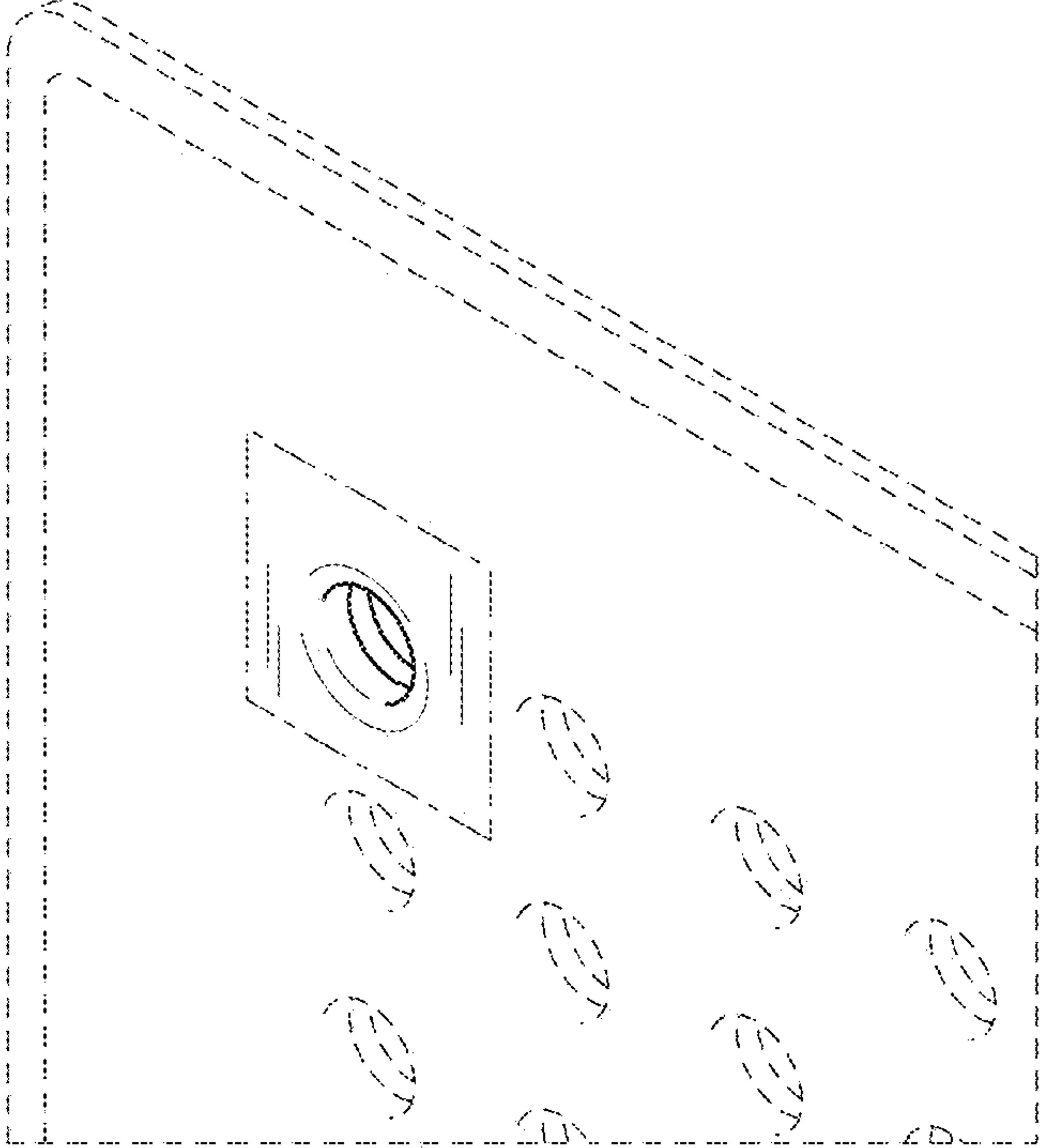


FIG. 5

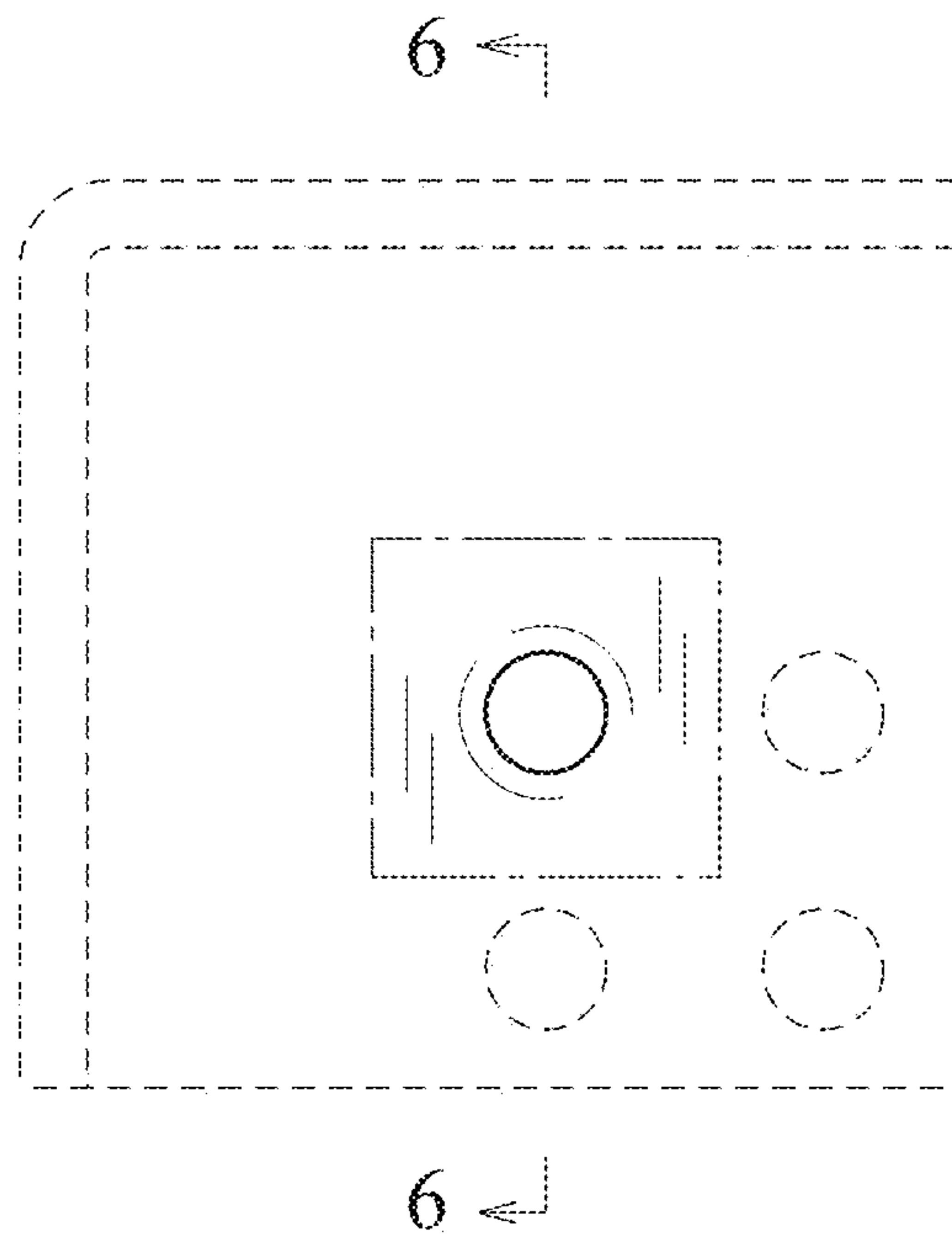


FIG. 6

