



US00D897698S

(12) **United States Design Patent**
Aigbe et al.

(10) **Patent No.:** **US D897,698 S**

(45) **Date of Patent:** **** Oct. 6, 2020**

(54) **HANGER**

(71) Applicant: **Hangio, LLC**, Lubbock, TX (US)

(72) Inventors: **Ayodele Aigbe**, Lubbock, TX (US);
Keith F. Lindsey, Jacksonville, TX (US)

(73) Assignee: **HANGIO, LLC**, Lubbock, TX (US)

(**) Term: **15 Years**

(21) Appl. No.: **29/705,708**

(22) Filed: **Sep. 13, 2019**

(51) **LOC (12) Cl.** **06-08**

(52) **U.S. Cl.**
USPC **D6/318**

(58) **Field of Classification Search**
USPC D6/315-328
CPC A47G 25/28; A47G 25/743; A47G 25/26;
A47G 25/4023; A47G 25/20; A47G
25/442; A47G 25/30; A47G 25/36; A47G
25/24; A47G 25/14; A47G 25/18; A47G
25/40; A47G 25/403; A47G 25/52; A47G
25/34; A47G 25/44

See application file for complete search history.

(56) **References Cited**

U.S. PATENT DOCUMENTS

- 2,435,301 A * 2/1948 Wingate A47G 25/4023
223/94
- 2,716,514 A * 8/1955 Braunstein A47G 25/4023
223/94
- 2,777,621 A * 1/1957 Murray A47G 25/4023
223/94
- 4,717,053 A * 1/1988 Wang A47G 25/4053
211/118
- D323,749 S * 2/1992 Blanchard D6/318
- 5,711,464 A * 1/1998 Huang A47G 25/36
223/85
- D440,054 S * 4/2001 Richter D6/318

- D604,516 S * 11/2009 Scott D6/317
- D616,208 S * 5/2010 Hamlin D6/317
- 7,731,068 B2 * 6/2010 Scicluna A47G 25/487
223/91

(Continued)

Primary Examiner — Lauren R Calve

(74) *Attorney, Agent, or Firm* — John Lindsay

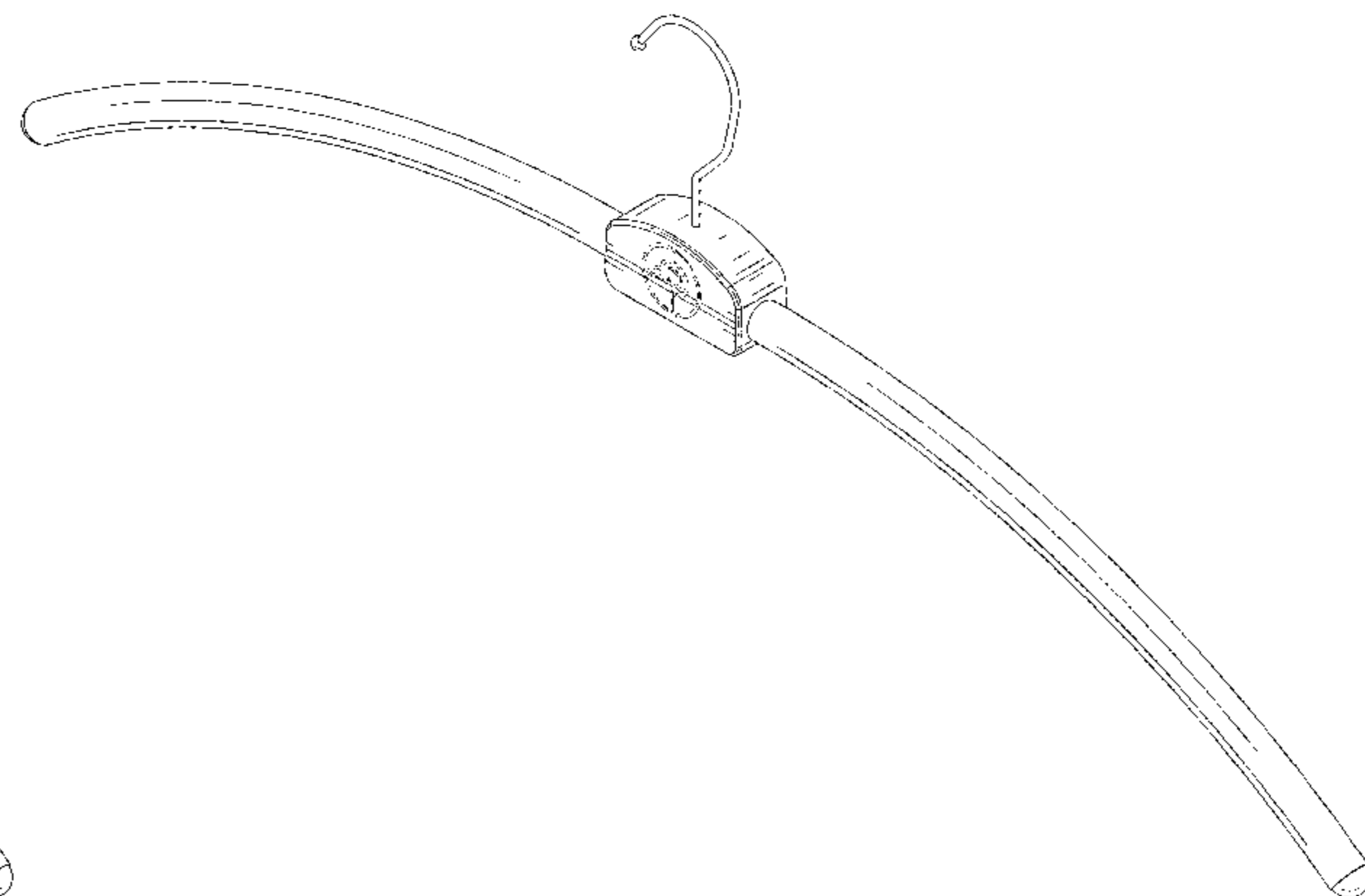
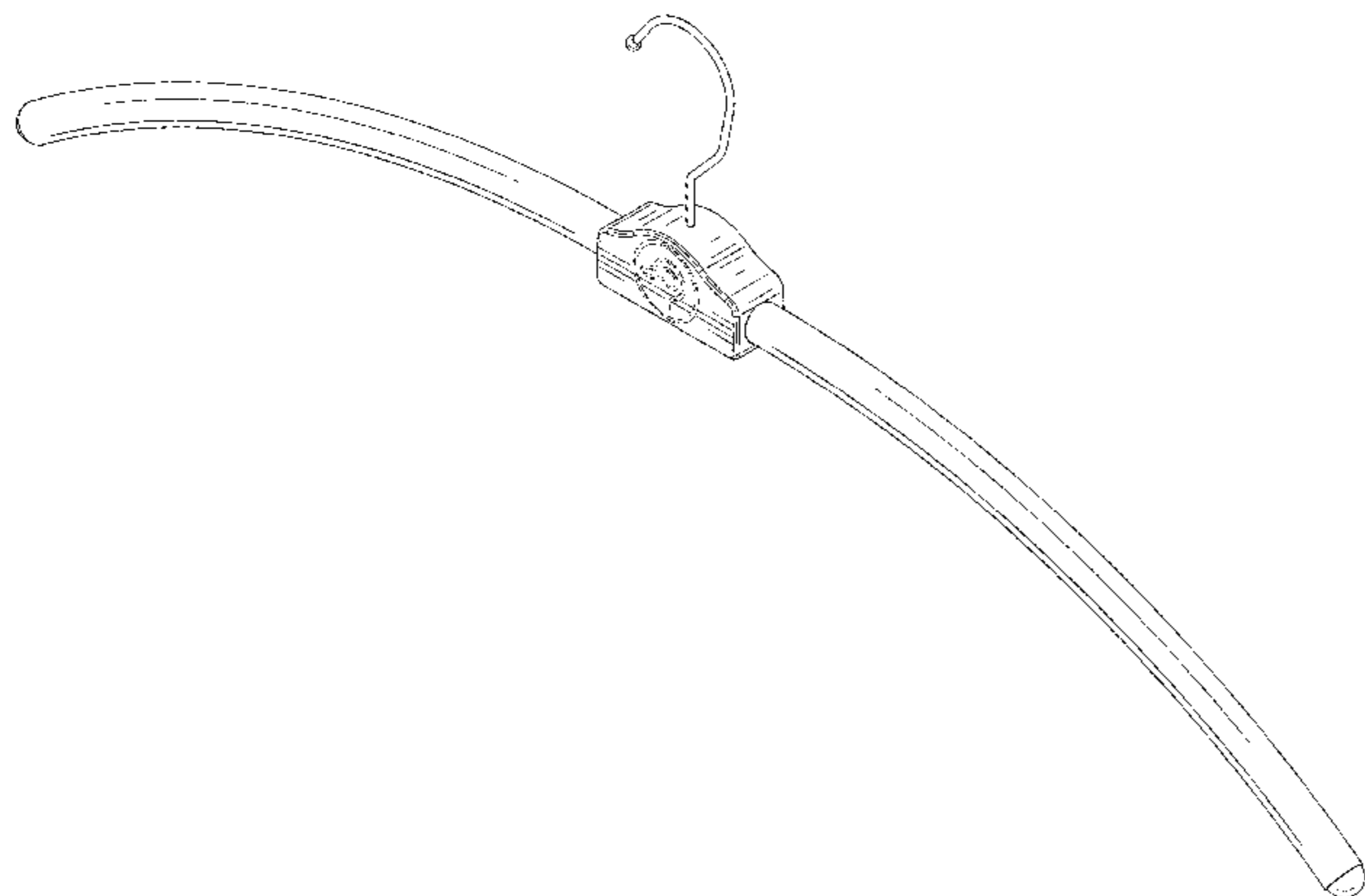
(57) **CLAIM**

The ornamental design for a hanger, as shown and described.

DESCRIPTION

FIG. 1 is a front perspective view of an embodiment of a hanger according to the current invention;
 FIG. 2 is a front elevation view of the embodiment of FIG. 1;
 FIG. 3 is a rear elevation view of the embodiment of FIG. 1;
 FIG. 4 is a right side view of the embodiment of FIG. 1;
 FIG. 5 is a left side view of the embodiment of FIG. 1;
 FIG. 6 is a top view of the embodiment of FIG. 1;
 FIG. 7 is a bottom view of the embodiment of FIG. 1;
 FIG. 8 is a rear perspective view of the embodiment of FIG. 1;
 FIG. 9 is a front perspective view of an alternate embodiment of a hanger according to the current invention;
 FIG. 10 is a front elevation view of the embodiment of FIG. 9;
 FIG. 11 is a rear elevation view of the embodiment of FIG. 9;
 FIG. 12 is a right side view of the embodiment of FIG. 9;
 FIG. 13 is a left side view of the embodiment of FIG. 9;
 FIG. 14 is a top view of the embodiment of FIG. 9;
 FIG. 15 is a bottom view of the embodiment of FIG. 9; and,
 FIG. 16 is a rear perspective view of the embodiment of FIG. 9.

1 Claim, 12 Drawing Sheets



(56)

References Cited

U.S. PATENT DOCUMENTS

7,828,179 B2 * 11/2010 Sprovieri A47G 25/4023
223/94
D631,672 S * 2/2011 Kaleta D6/318
2007/0158374 A1 * 7/2007 Chan A47G 25/4023
223/85
2015/0190005 A1 * 7/2015 Aspera A47F 7/19
223/85
2016/0088964 A1 * 3/2016 Hansen A47G 25/32
223/85
2017/0055748 A1 * 3/2017 Jeong A47G 25/4023

* cited by examiner

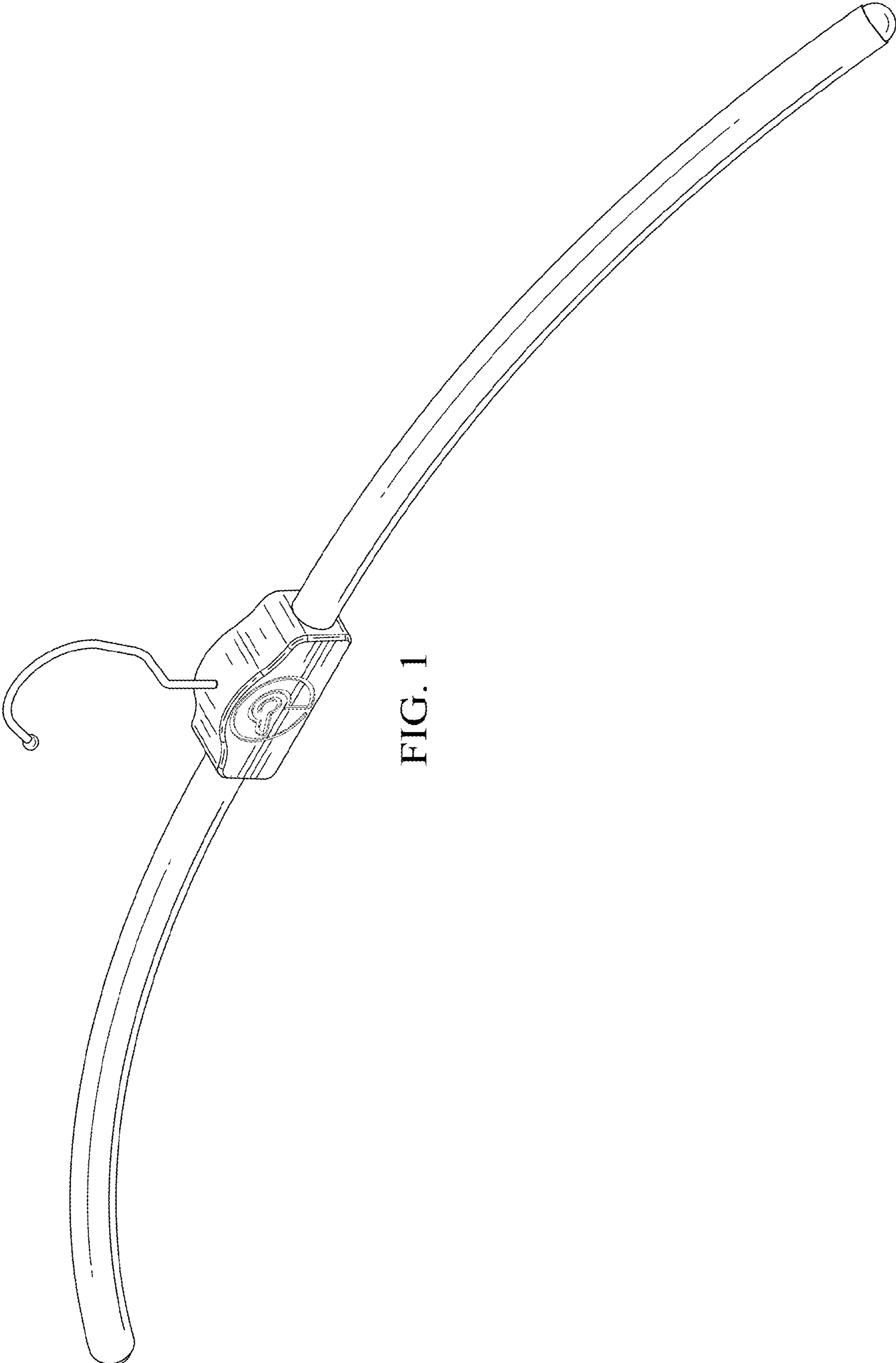


FIG. 1

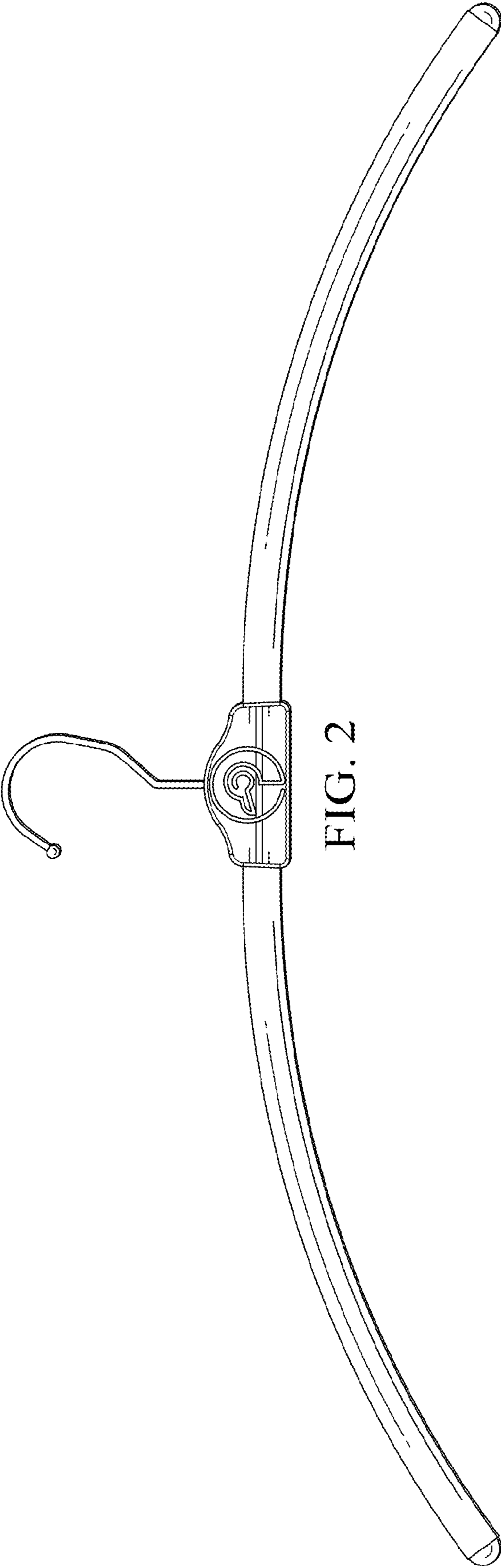


FIG. 2

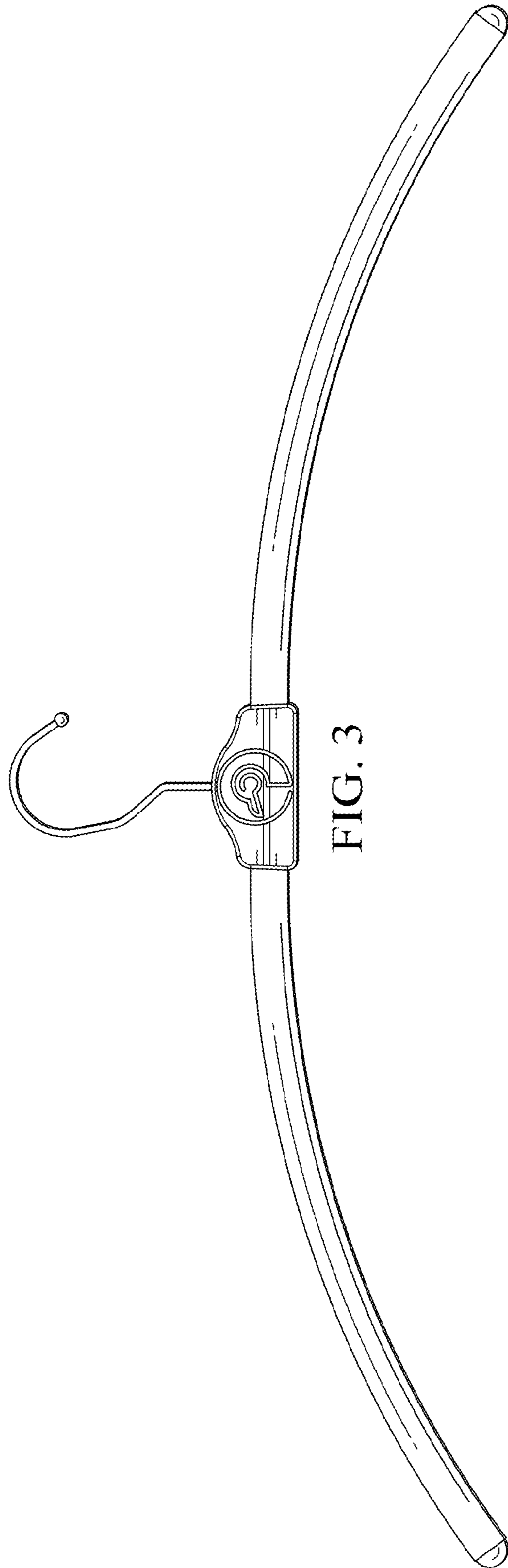


FIG. 3

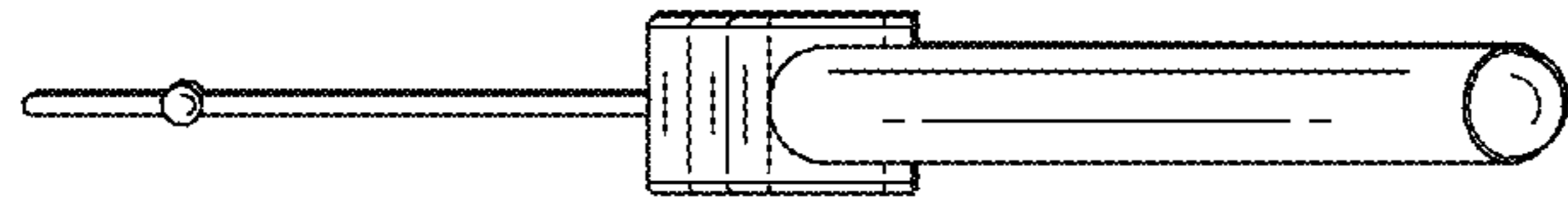


FIG. 5

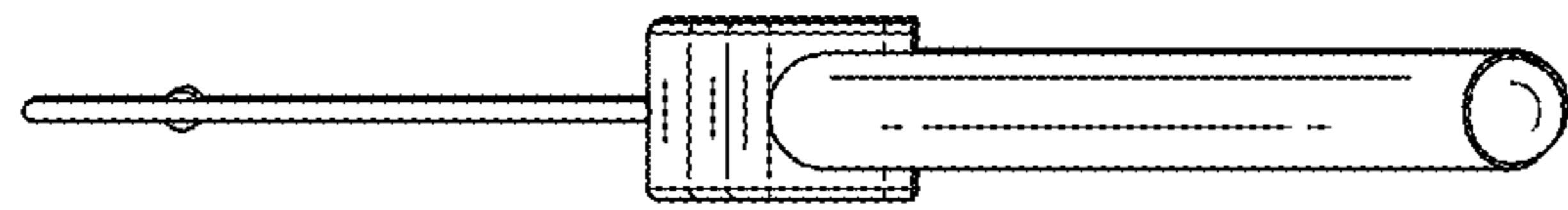


FIG. 4

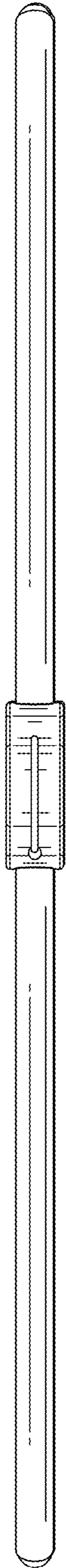


FIG. 6

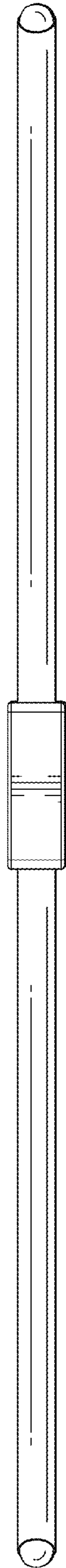


FIG. 7

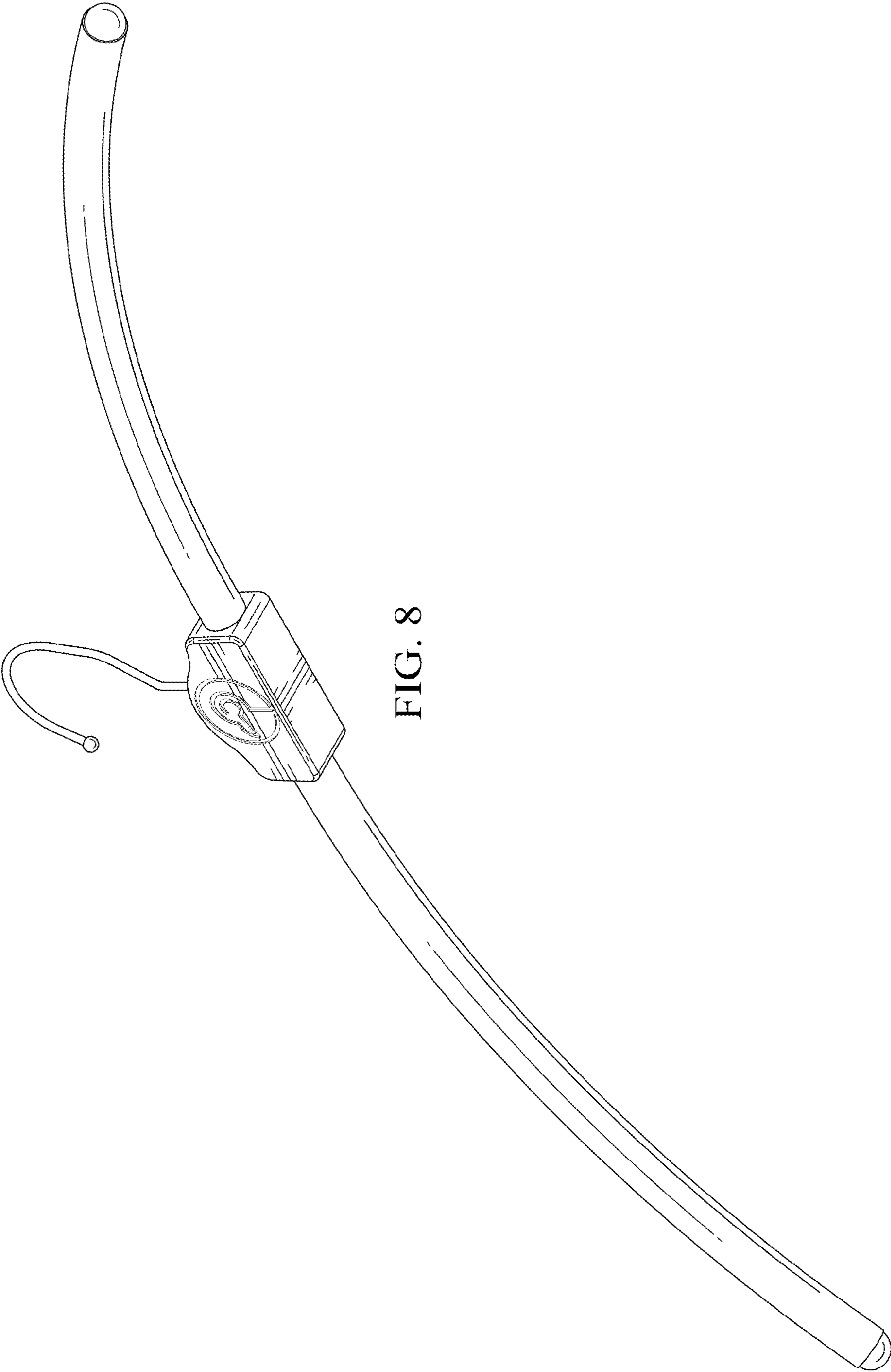


FIG. 8

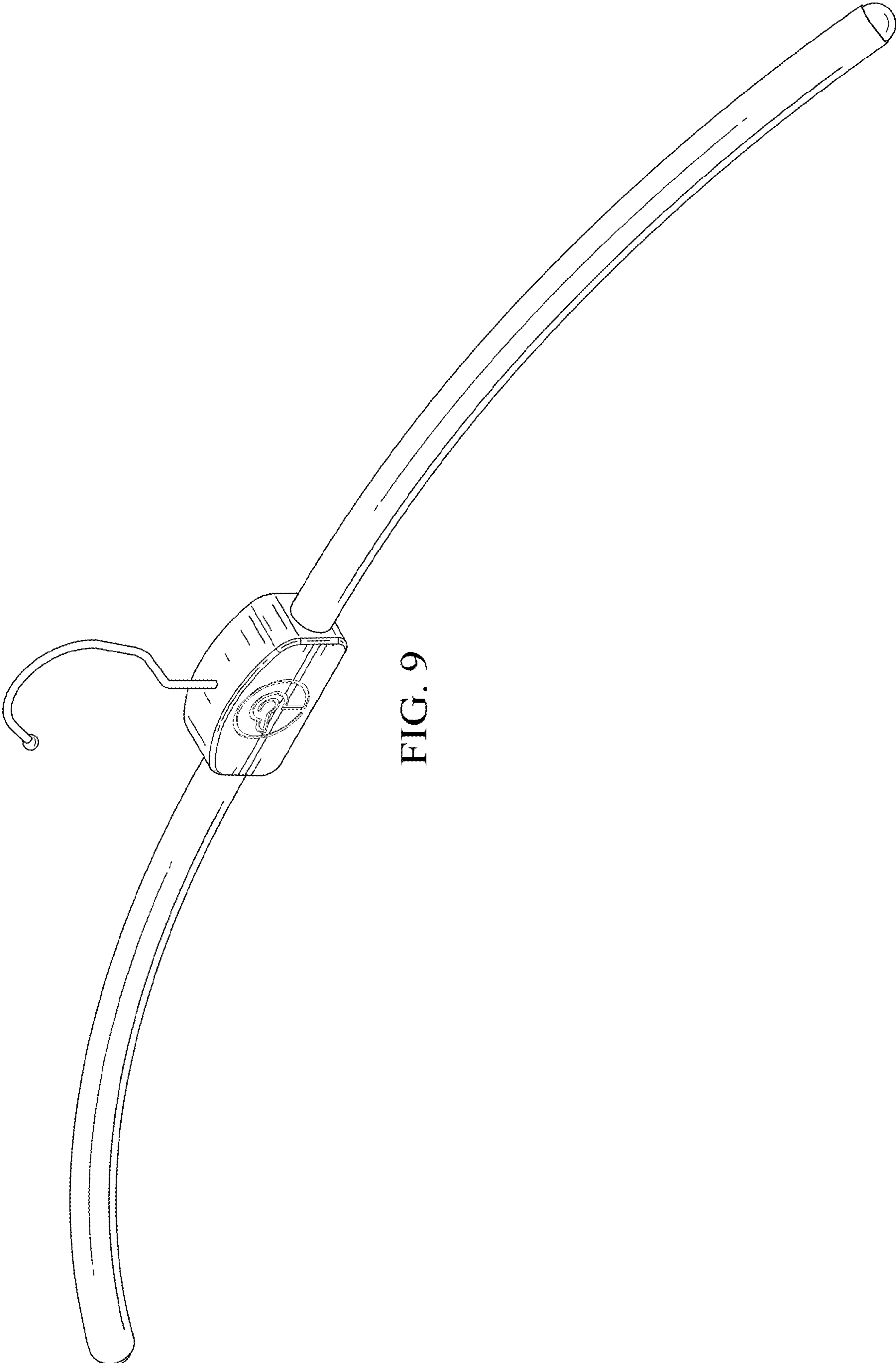


FIG. 9

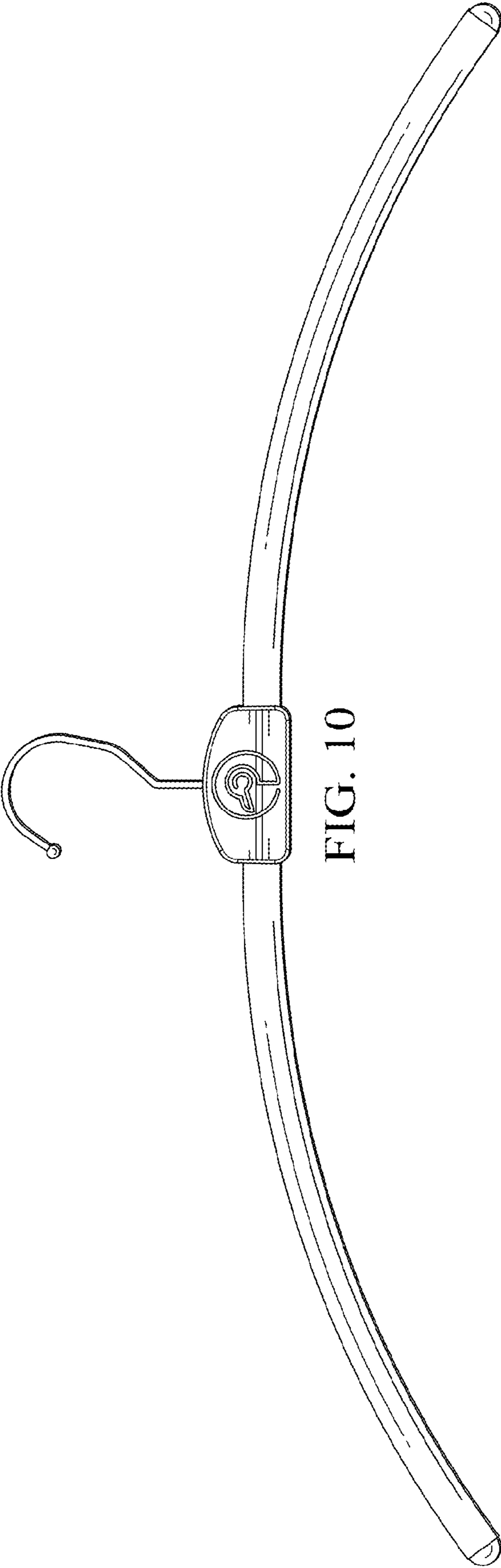


FIG. 10

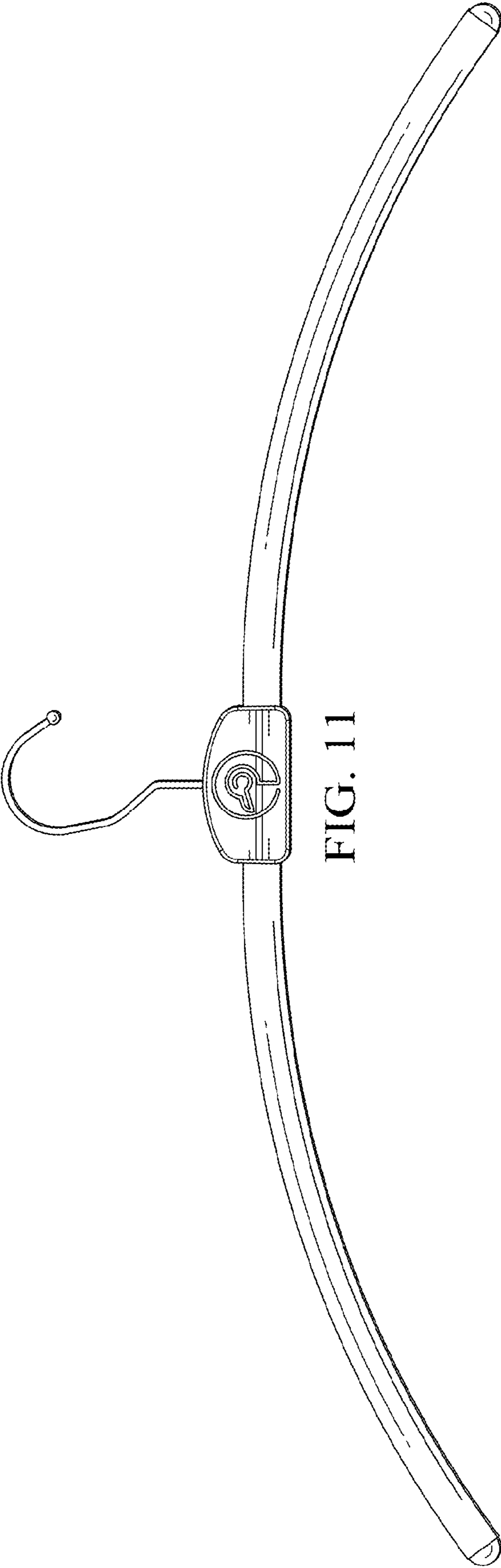


FIG. 11

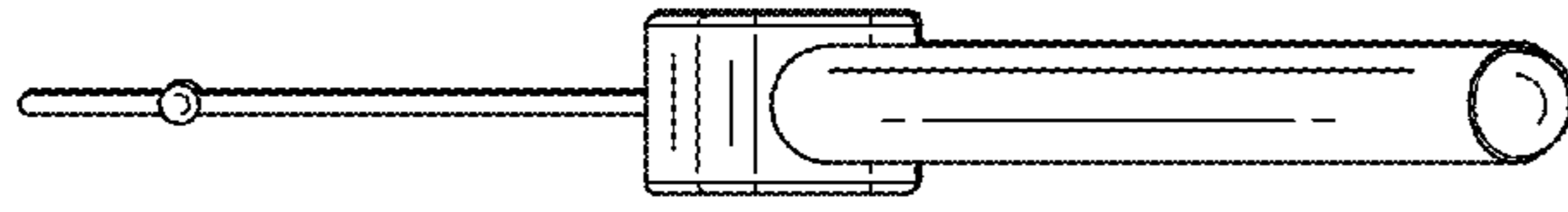


FIG. 12



FIG. 13

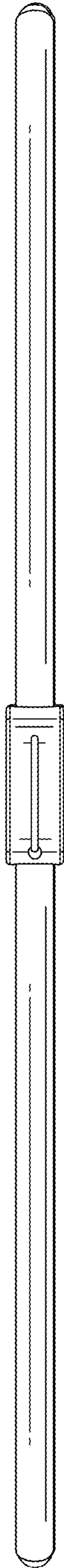


FIG. 14

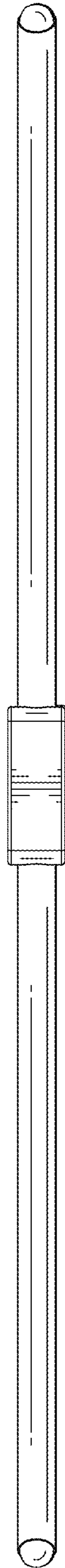


FIG. 15

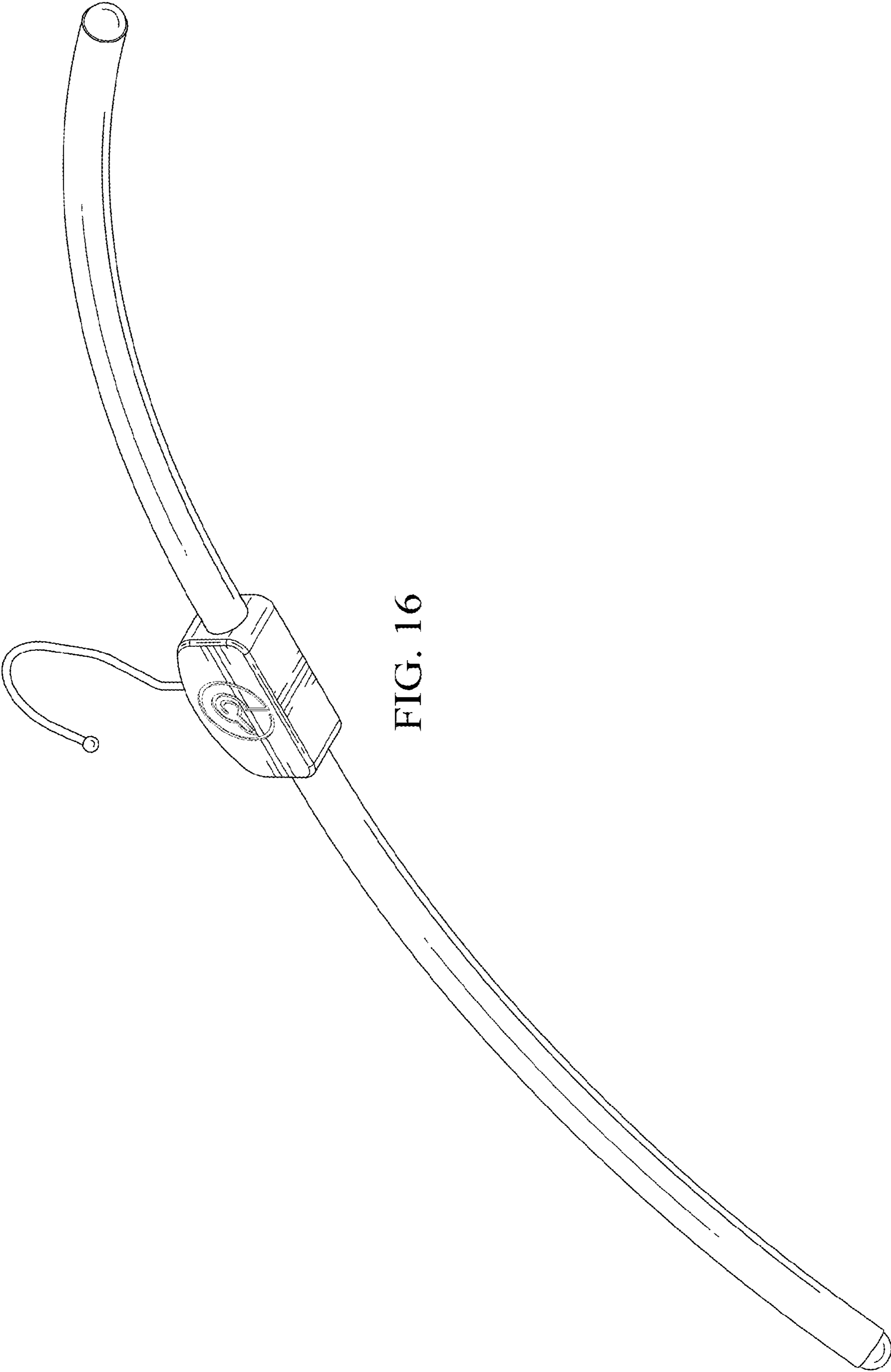


FIG. 16