



US00D897697S

(12) **United States Design Patent**  
**Liu**

(10) **Patent No.:** **US D897,697 S**  
(45) **Date of Patent:** **\*\* Oct. 6, 2020**

- (54) **MAKEUP MIRROR**
- (71) Applicant: **SHENZHEN SANDE TECHNOLOGY CO., LTD.**, Shenzhen (CN)
- (72) Inventor: **Yan Liu**, Shenzhen (CN)
- (73) Assignee: **SHENZHEN SANDE TECHNOLOGY CO., LTD.**, Shenzhen (CN)
- (\*\*) Term: **15 Years**
- (21) Appl. No.: **29/728,682**
- (22) Filed: **Mar. 20, 2020**
- (51) **LOC (12) Cl.** ..... **06-07**
- (52) **U.S. Cl.**  
USPC ..... **D6/310; D6/312**
- (58) **Field of Classification Search**  
USPC ..... D6/300-314; D12/191; D16/221; D19/114; D20/43; D5/20, 58, 60; D25/144, 157, 159  
CPC ... A47G 1/00; A47G 1/02; A47G 1/14; A47G 1/24; A47G 2001/002; A47G 2001/0056; A47G 2001/007; A45D 42/00; A45D 42/10; A45D 42/24; F21V 21/26; F21V 21/30; F21V 33/004; G09F 15/0056; B60J 3/0282; G09B 19/00; B32B 27/10; D21F 11/006; E04C 5/076  
See application file for complete search history.

(56) **References Cited**

**U.S. PATENT DOCUMENTS**

- 1,151,491 A \* 8/1915 Macdaniel ..... A47B 43/04 312/6
- 2,140,069 A \* 12/1938 Bostwick ..... A45D 42/00 359/854
- D298,087 S \* 10/1988 Arce ..... D6/300

- D307,358 S \* 4/1990 Gerton ..... D6/302
- D330,807 S \* 11/1992 Granzow ..... D6/301
- 5,556,509 A \* 9/1996 Trokhan ..... D21F 11/006 162/109
- D382,354 S \* 8/1997 Engberg ..... D25/157
- D599,087 S \* 9/2009 Kay ..... D2/909
- D785,345 S \* 5/2017 Yang ..... D6/310
- D825,205 S \* 8/2018 Liu ..... D6/310
- D865,374 S \* 11/2019 Yang ..... A45D 42/18 D6/310
- D865,393 S \* 11/2019 Dumouchel ..... A47B 43/04 D6/390
- D874,836 S \* 2/2020 Li ..... A45D 42/00 D6/312
- D882,965 S \* 5/2020 Liu ..... D6/302
- D886,469 S \* 6/2020 Liu ..... D6/310

(Continued)

*Primary Examiner* — Mary Ann Calabrese

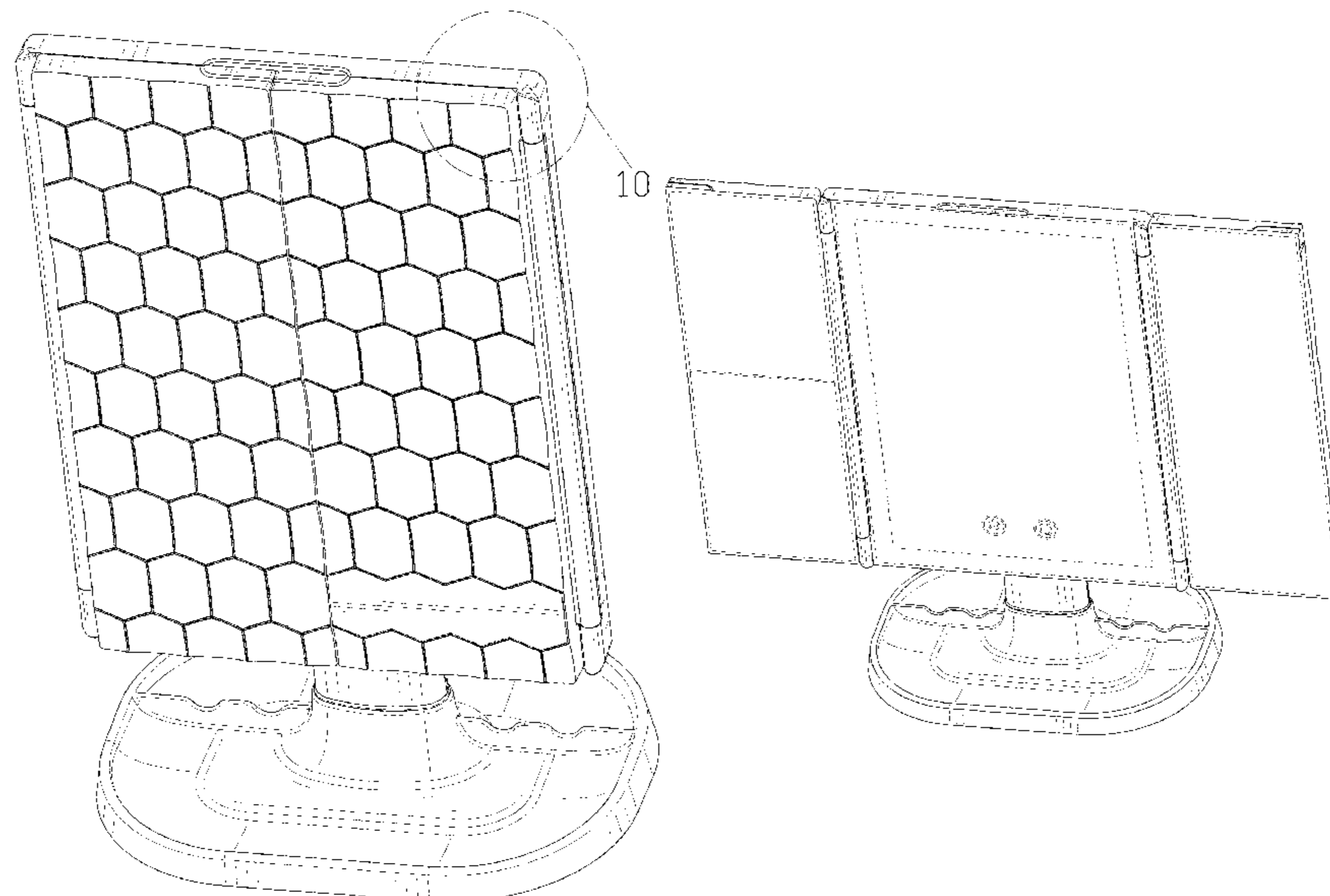
(57) **CLAIM**

The ornamental design for a makeup mirror, as shown and described.

**DESCRIPTION**

FIG. 1 is a front perspective view of a makeup mirror showing my new design;  
 FIG. 2 is a rear perspective view thereof;  
 FIG. 3 is a front elevational view thereof;  
 FIG. 4 is a rear elevational view thereof;  
 FIG. 5 is a left side elevational view thereof;  
 FIG. 6 is a right side elevational view thereof;  
 FIG. 7 is a top plan view thereof;  
 FIG. 8 is a bottom plan view thereof;  
 FIG. 9 is a front perspective view of the makeup mirror where the makeup mirror is in an alternate configuration of use; and,  
 FIG. 10 is an enlarged detailed view of the encircled area 10 shown in FIG. 1.  
 The broken lines in the drawings depict portions of the makeup mirror that form no part of the claimed design.

**1 Claim, 10 Drawing Sheets**



(56)

**References Cited**

U.S. PATENT DOCUMENTS

2010/0196656 A1\* 8/2010 Leng ..... B32B 27/10  
428/116  
2013/0027913 A1 1/2013 Frisch et al.  
2014/0240964 A1\* 8/2014 Adachi ..... A45D 42/10  
362/141  
2016/0255941 A1\* 9/2016 Yang ..... A45D 42/18  
2017/0350125 A1\* 12/2017 De Cauwer ..... E04C 2/288

\* cited by examiner

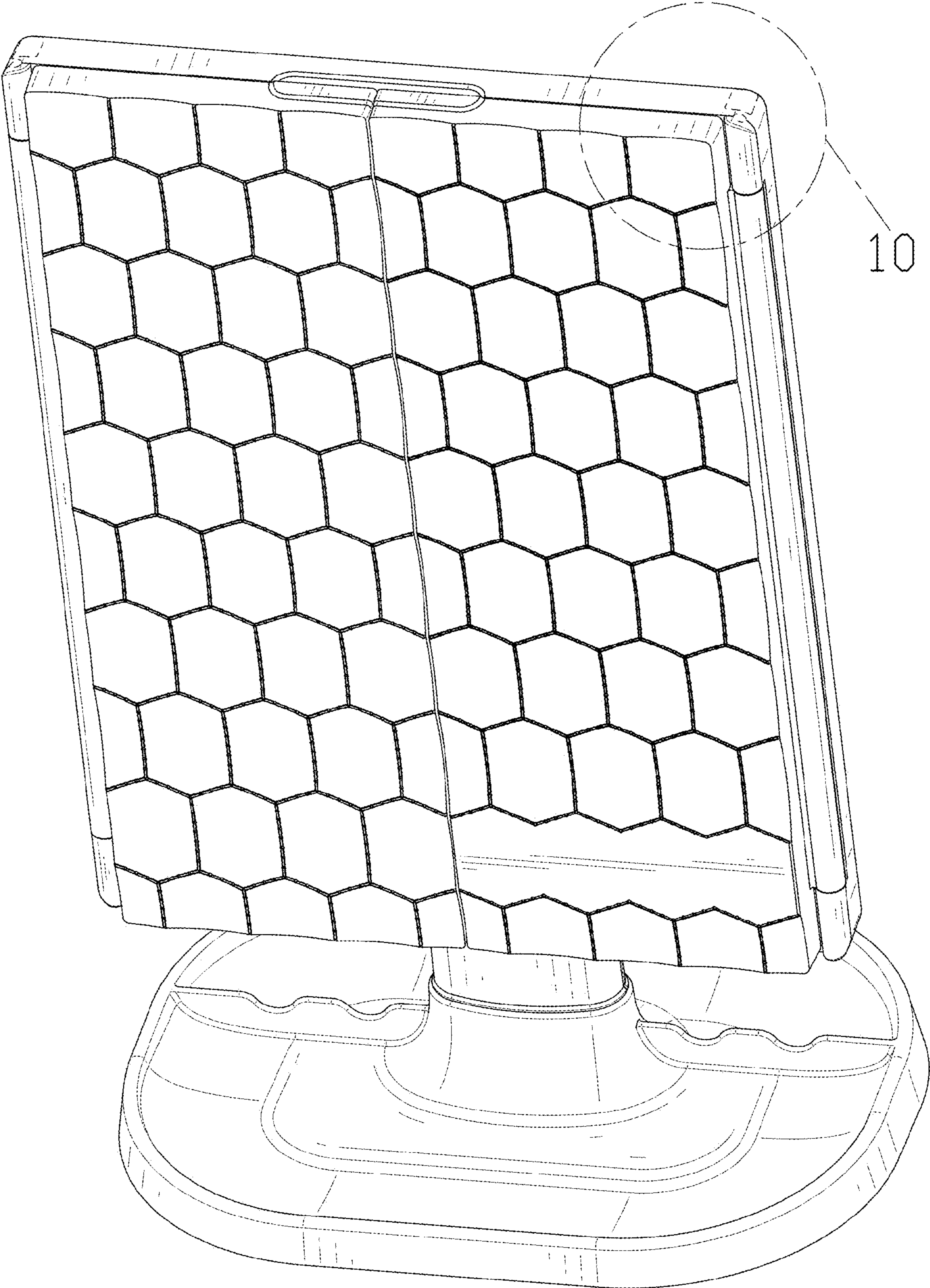


FIG. 1

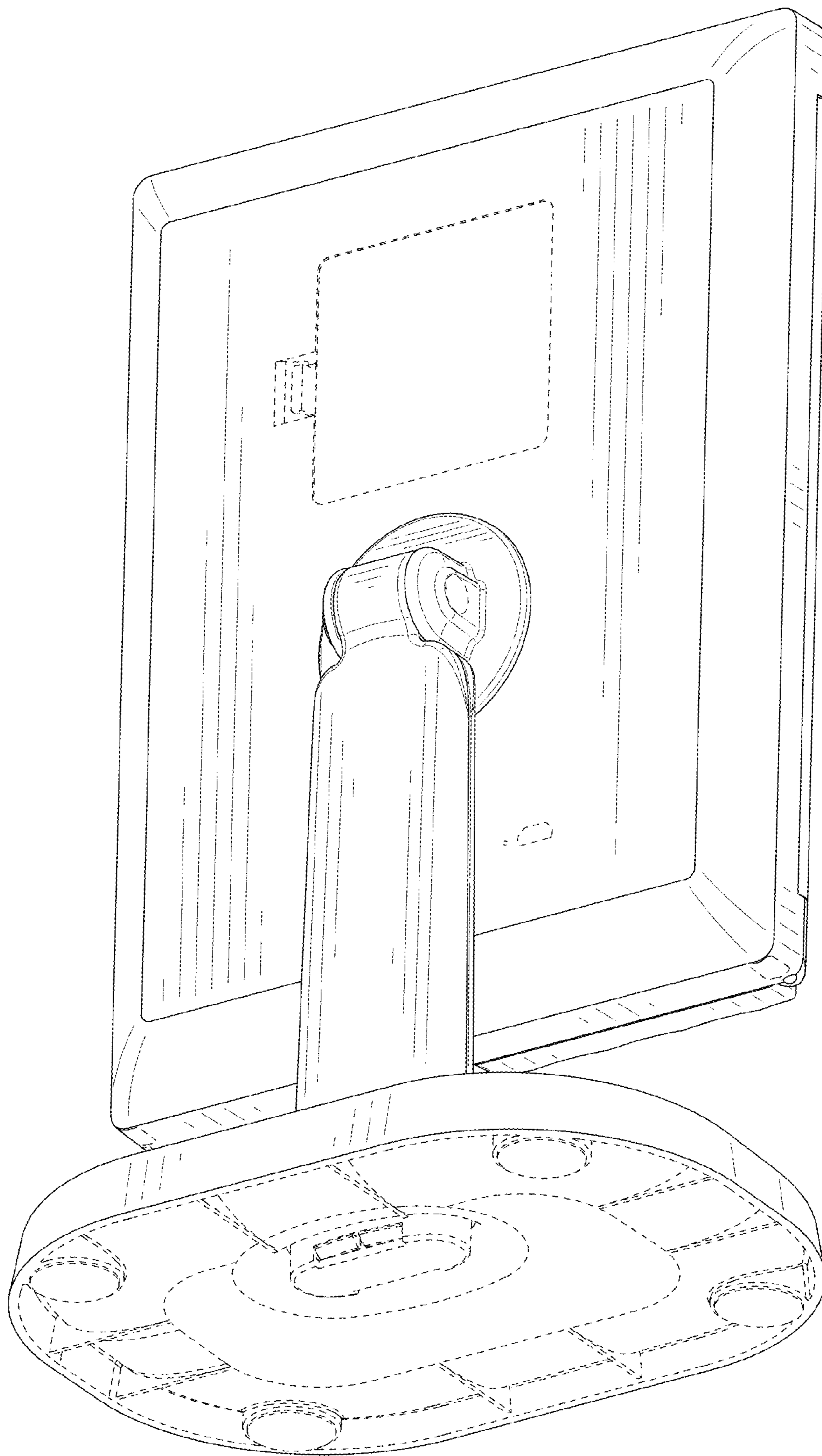


FIG. 2

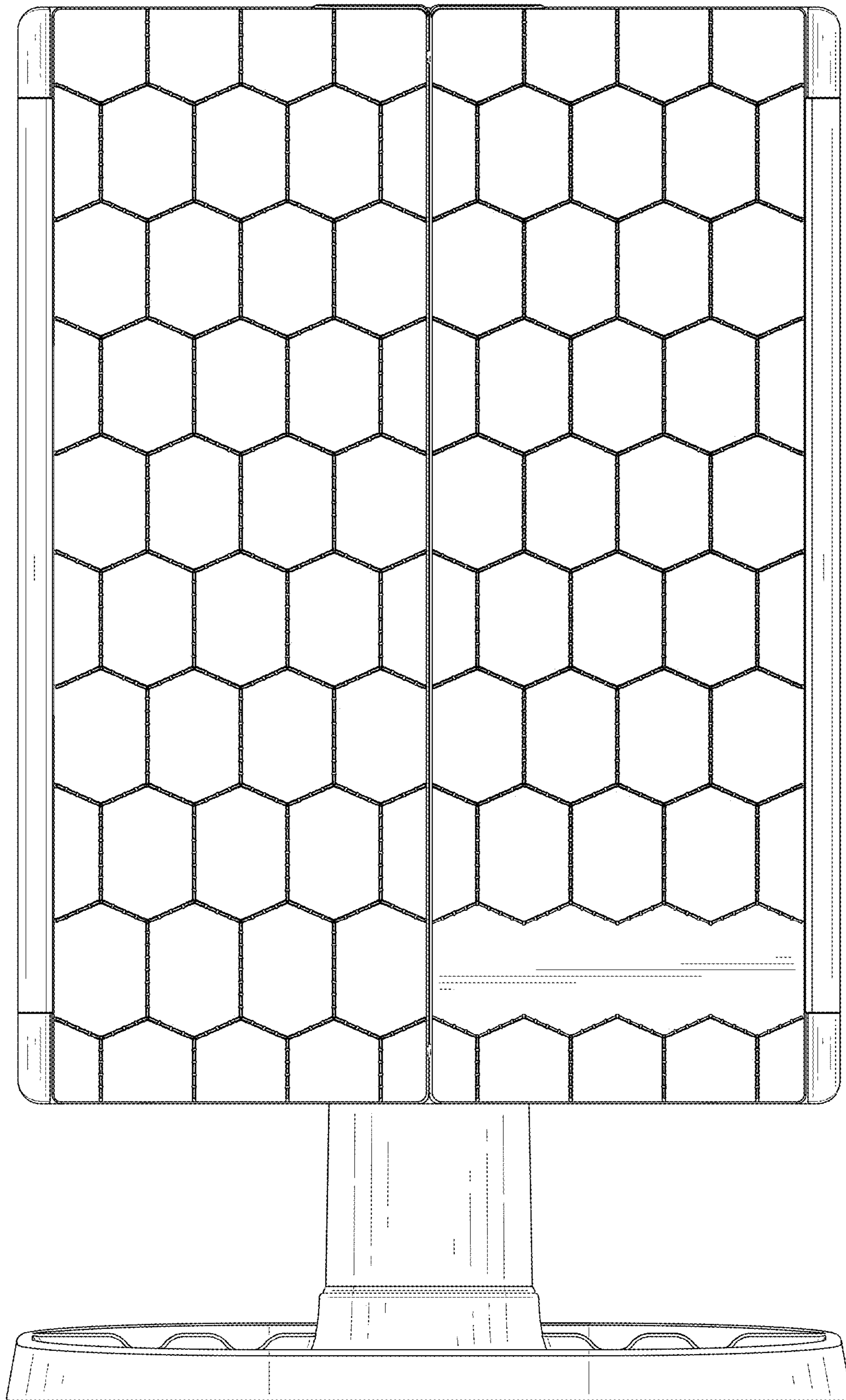


FIG. 3

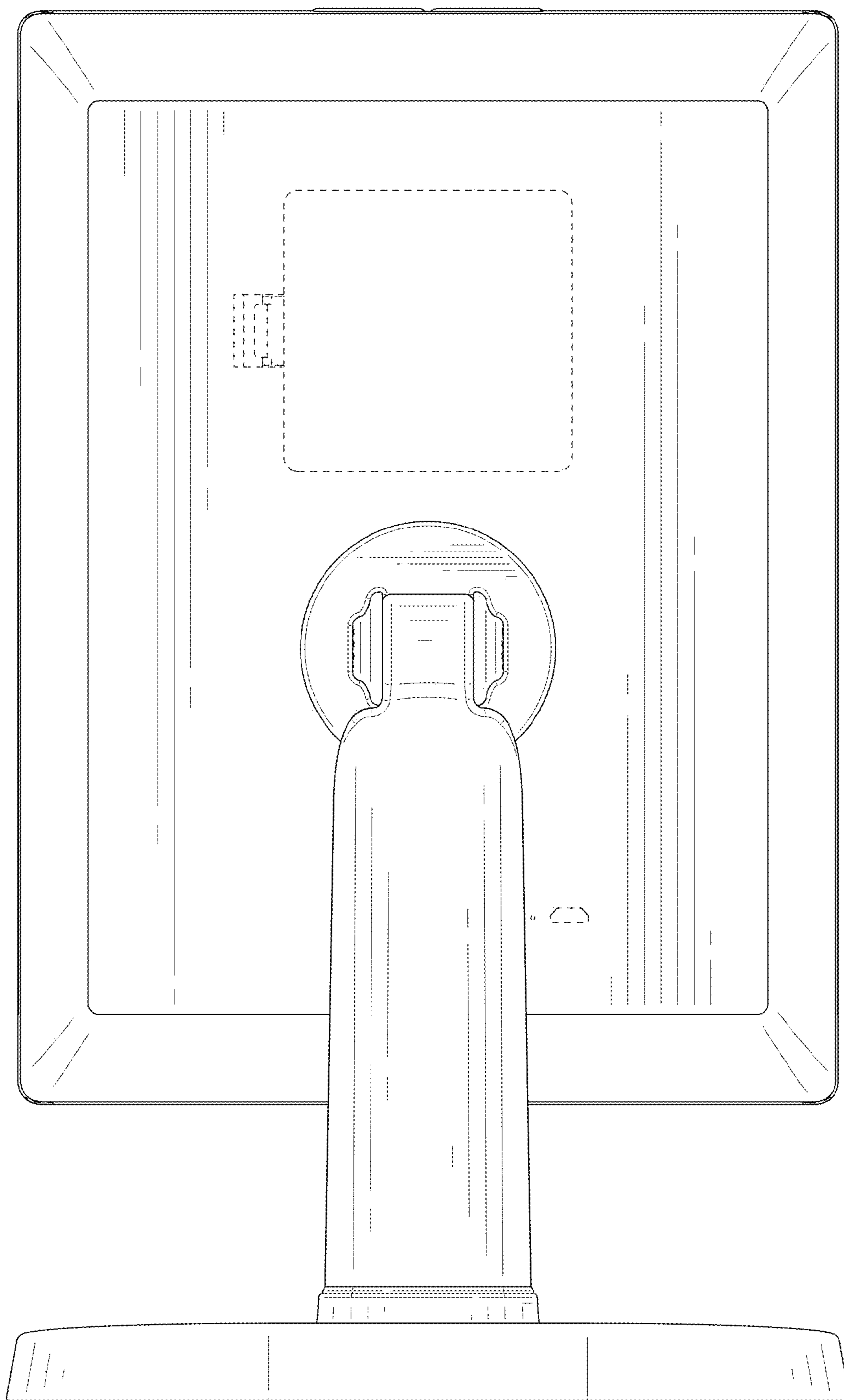


FIG. 4

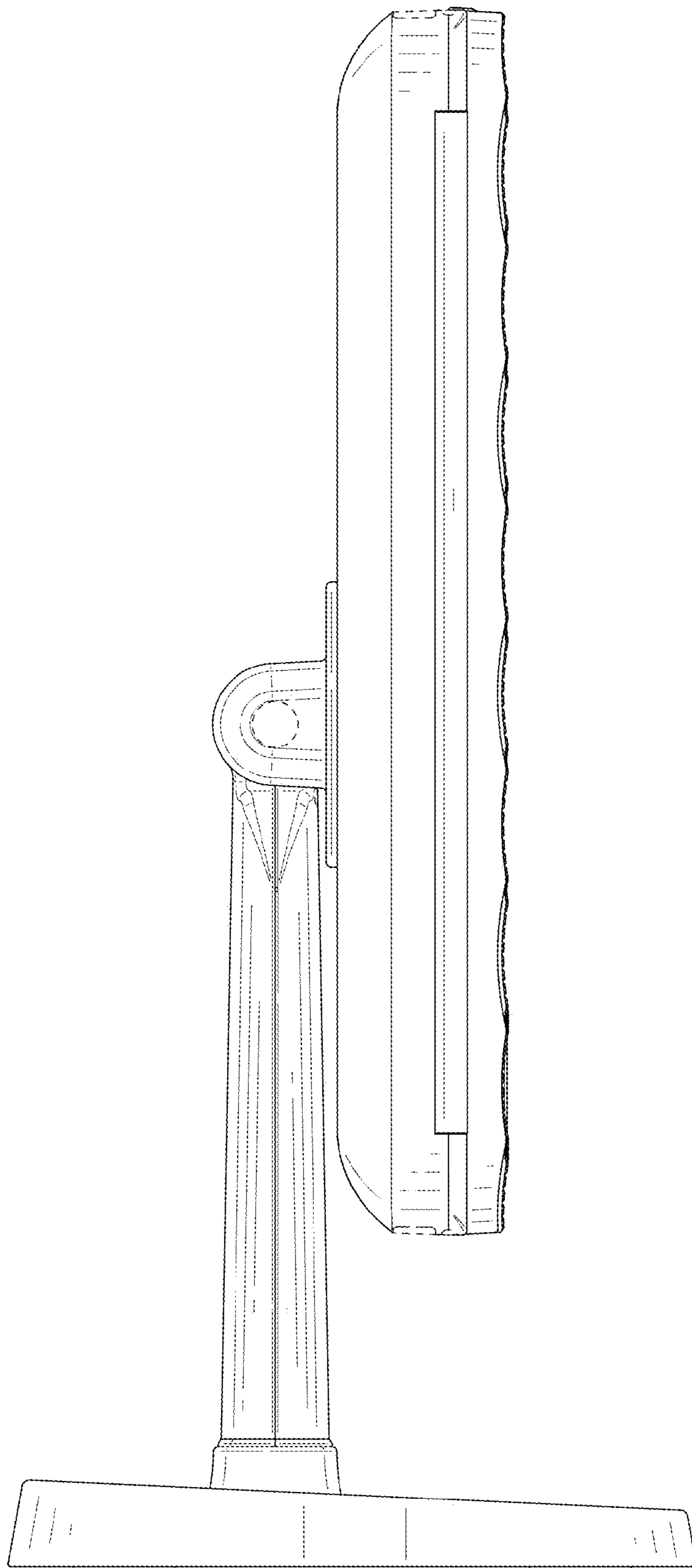


FIG. 5

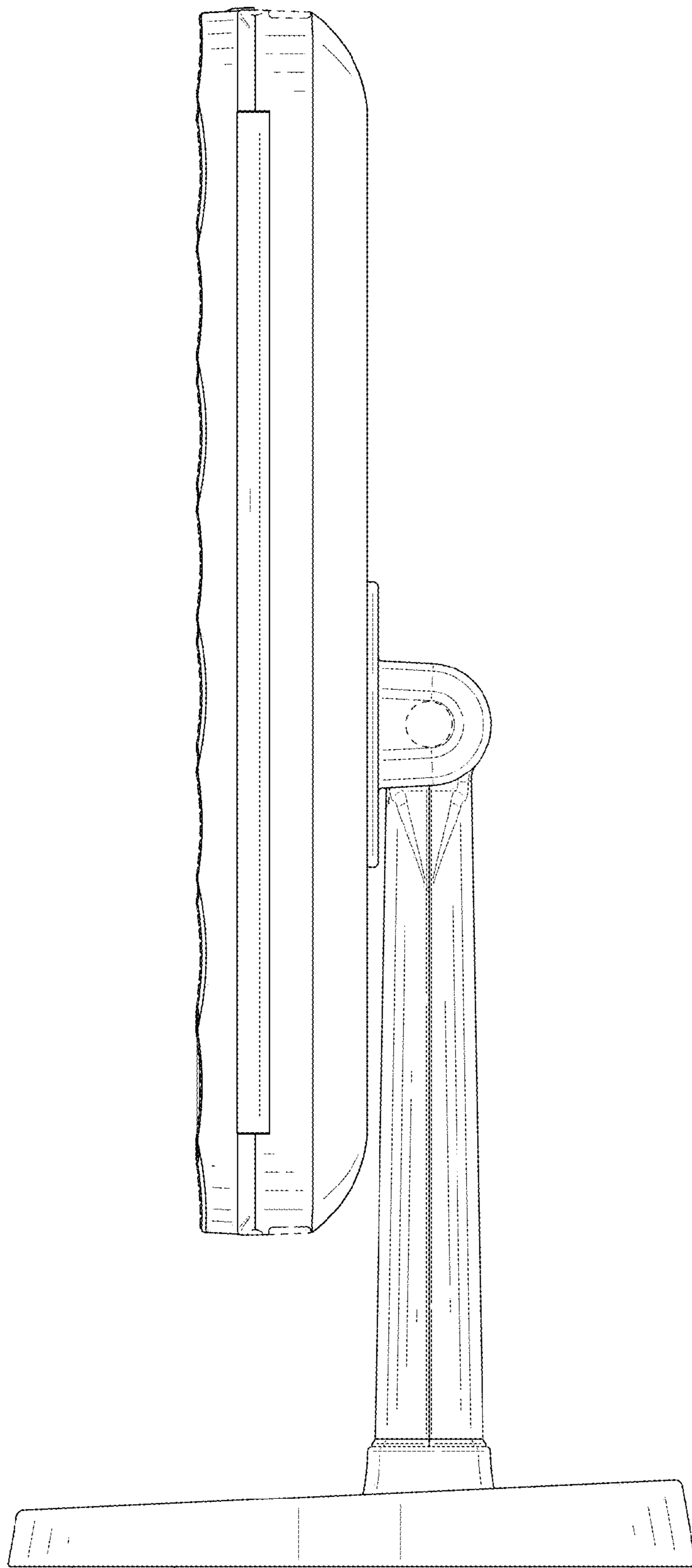


FIG. 6



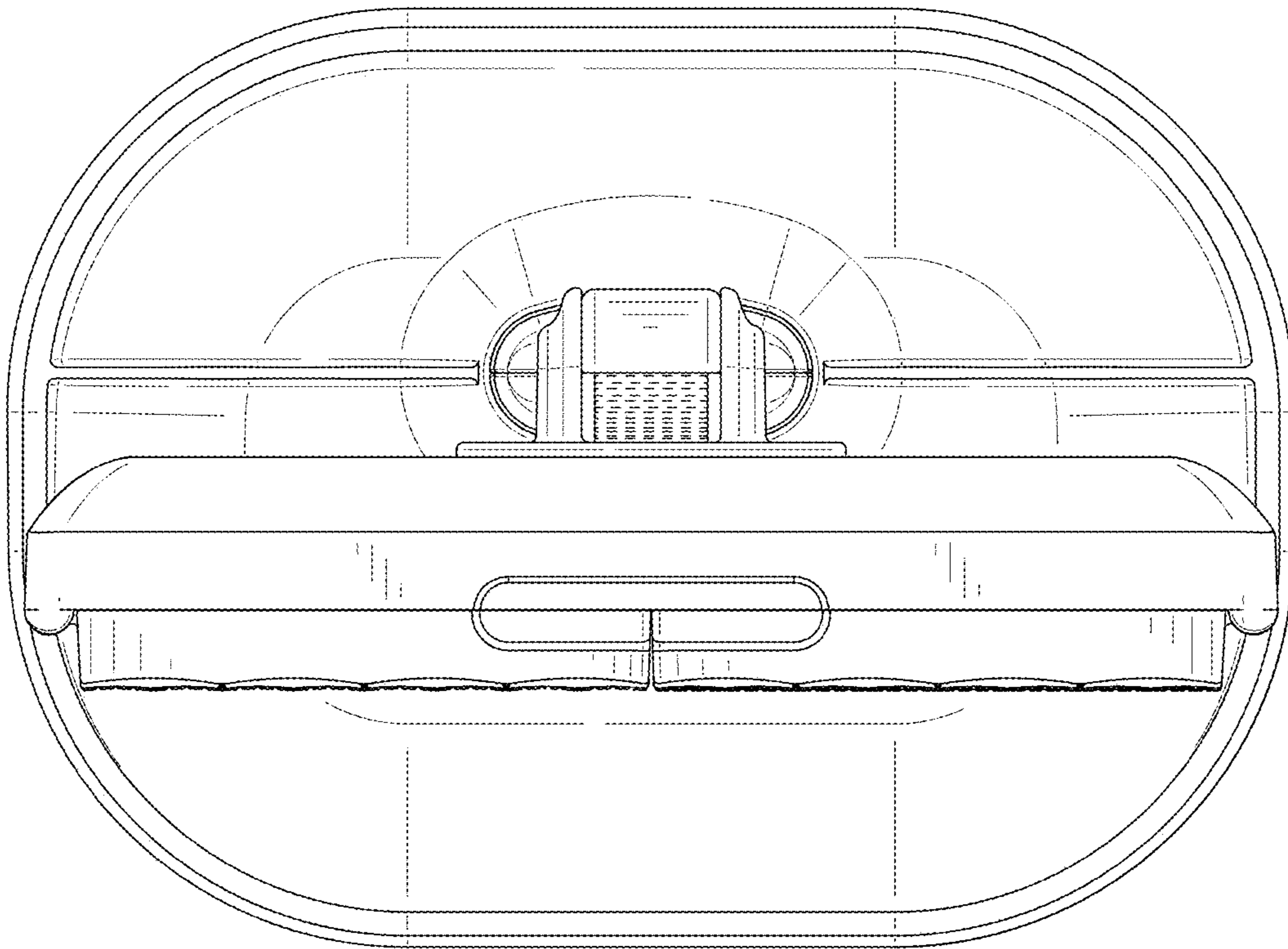


FIG. 7

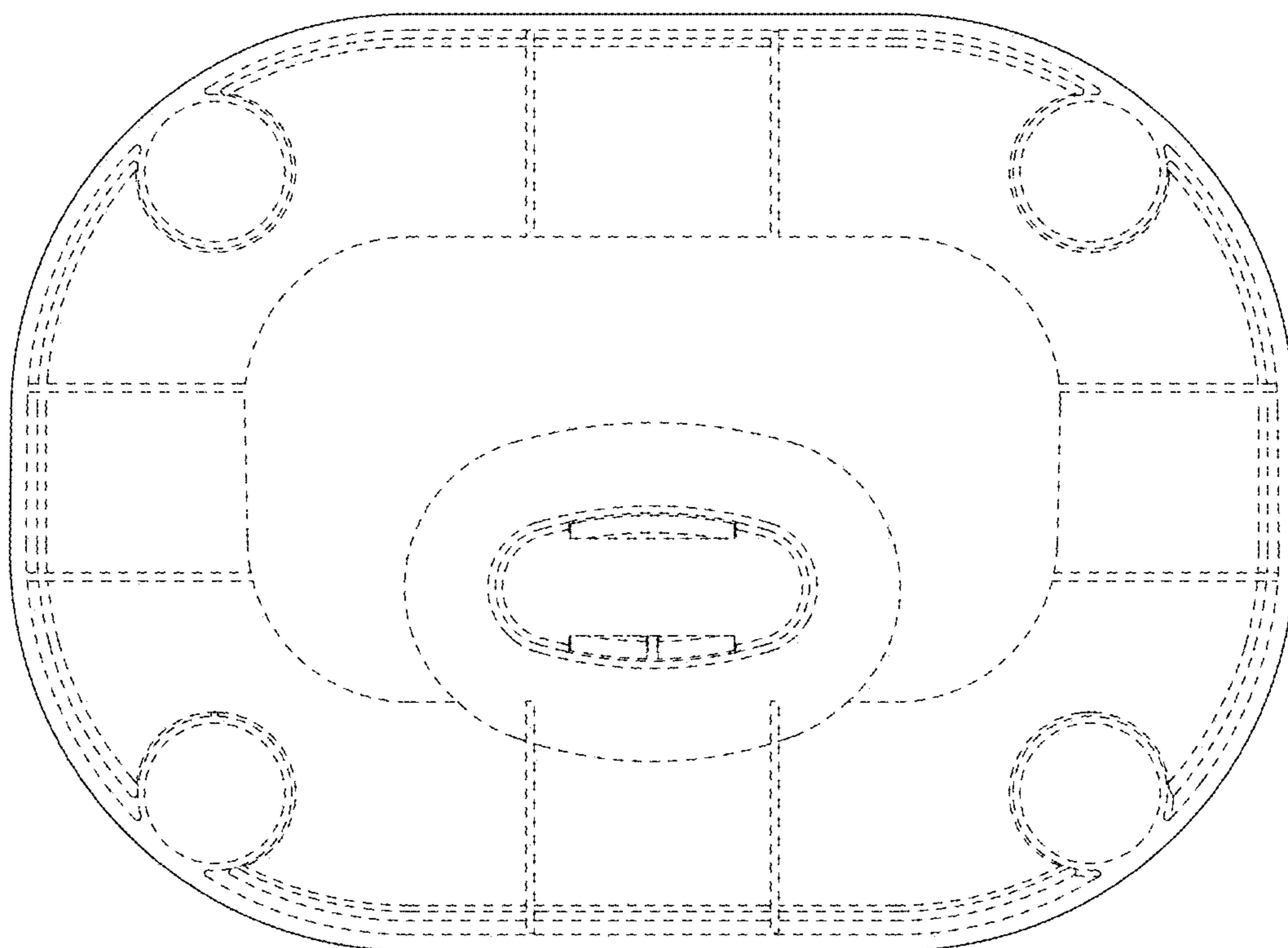


FIG. 8

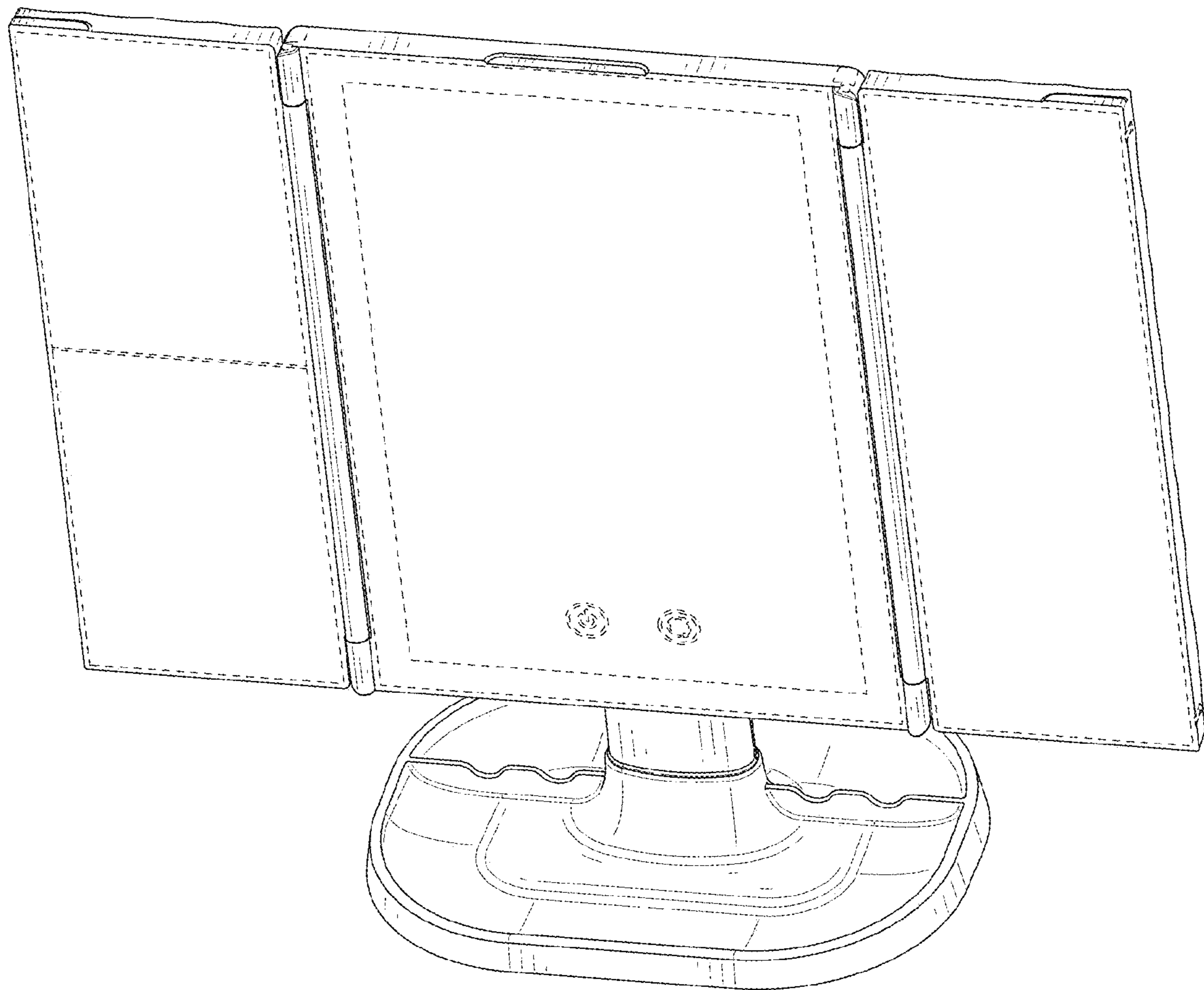


FIG. 9

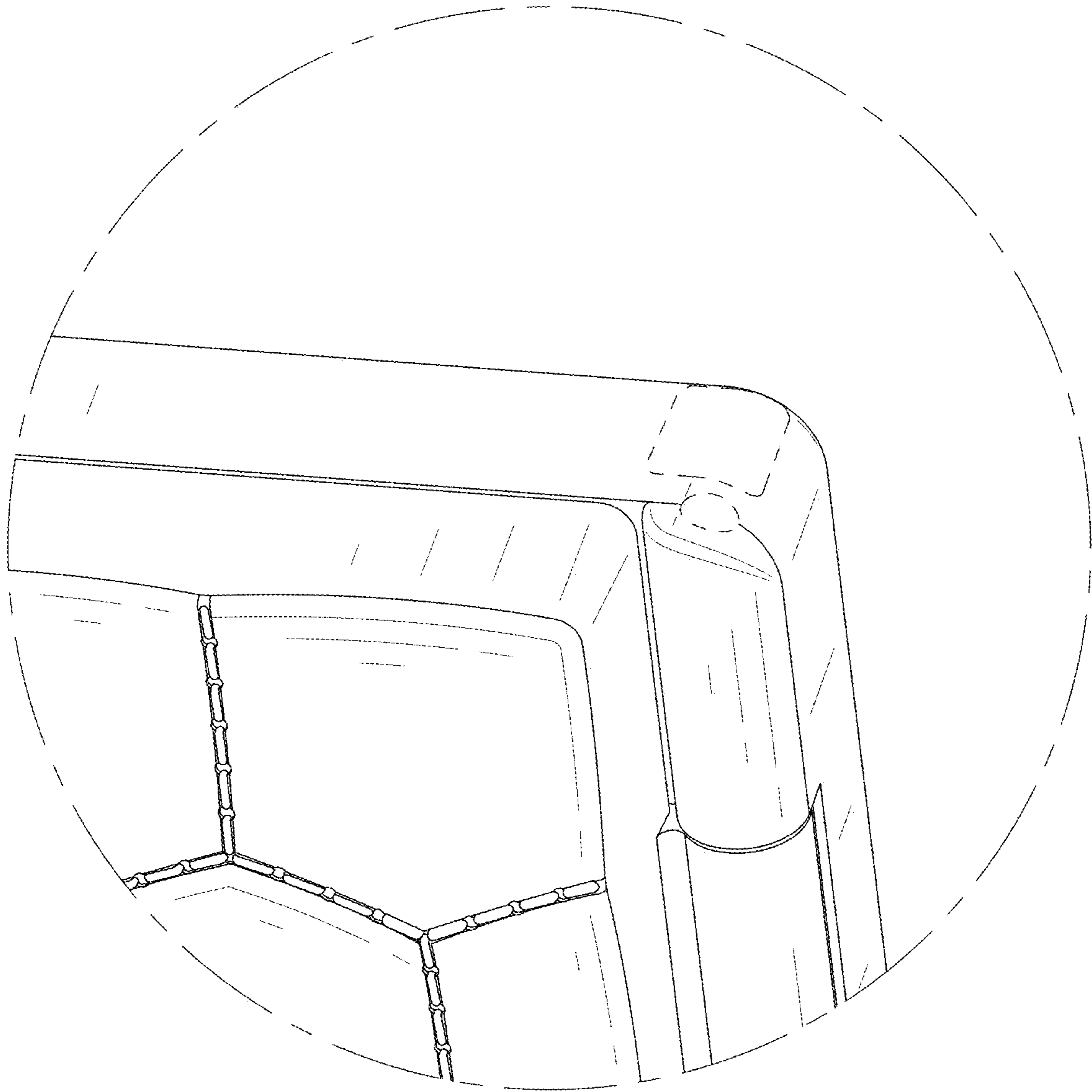


FIG. 10