

US00D897696S

(12) **United States Design Patent** (10) **Patent No.:** **US D897,696 S**  
**Zhou** (45) **Date of Patent:** **\*\* Oct. 6, 2020**

(54) **FOLDABLE BEAUTY MIRROR**

A47G 2001/148; A47G 1/00; A47G 1/02;  
G06F 1/1654

See application file for complete search history.

(71) Applicant: **TOUCHBEAUTY BEAUTY & HEALTH (SHENZHEN) CO., LTD,**  
Shenzhen (CN)

(56)

**References Cited**

U.S. PATENT DOCUMENTS

D785,345 S \* 5/2017 Yang ..... D6/310  
D825,205 S \* 8/2018 Liu ..... D6/310  
10,076,176 B2 \* 9/2018 Yang ..... A45D 42/10

(Continued)

FOREIGN PATENT DOCUMENTS

EM 004737997-0001 \* 3/2018  
EM 007762802-0001 \* 3/2020

(72) Inventor: **Elin Zhou,** Shenzhen (CN)

(73) Assignee: **TOUCHBEAUTY BEAUTY AND HEALTH (SHENZHEN) CO., LTD,**  
Shenzhen (CN)

(\*\*) Term: **15 Years**

(21) Appl. No.: **29/703,814**

OTHER PUBLICATIONS

(22) Filed: **Aug. 29, 2019**

Beautyworks Backlit Makeup Mirror [online], [site visited Jul. 14, 2020]. Available from internet, URL:<[https://www.amazon.com/Beautyworks-Touch-Screen-Magnification-High-Definition-Magnifying/dp/B07B8VRLH5/ref=sr\\_1\\_1?dchild=1&keywords=beauty+works+backlit+makeup+vanity+mirror&qid=1594769158&sr=8-1](https://www.amazon.com/Beautyworks-Touch-Screen-Magnification-High-Definition-Magnifying/dp/B07B8VRLH5/ref=sr_1_1?dchild=1&keywords=beauty+works+backlit+makeup+vanity+mirror&qid=1594769158&sr=8-1)> (Year: 2018).\*

(Continued)

(30) **Foreign Application Priority Data**

Mar. 12, 2019 (CN) ..... 2019 3 0099945

(51) **LOC (12) Cl.** ..... **06-07**

(52) **U.S. Cl.**  
USPC ..... **D6/310; D6/312**

(58) **Field of Classification Search**  
USPC ..... D6/300, 301, 302, 303, 304, 307, 308,  
D6/309, 310, 311, 312, 313, 314;  
D14/336, 341, 371, 372, 374, 381, 382,  
D14/448, 450

CPC ..... A47G 1/0616; A47G 1/142; A47G  
2001/0694; A47G 1/06; A47G 1/0605;  
A47G 1/0633; A47G 1/0638; A47G  
1/0644; A47G 1/08; A47G 1/10; A47G  
1/14; A47G 1/141; A47G 1/16; A47G  
1/1606; A47G 1/1613; A47G 2001/0661;  
A47G 2001/0672; A47G 2001/0688;

*Primary Examiner* — Cynthia Ramirez  
*Assistant Examiner* — Xavier Marti-Santos  
(74) *Attorney, Agent, or Firm* — Flener IP & Business  
Law; Zareefa B. Flener; Ayhan E. Mertogul

(57) **CLAIM**

The ornamental design for a foldable beauty mirror, as shown and described.

**DESCRIPTION**

FIG. 1 is a front elevation view of the foldable beauty mirror in a closed state showing my new design;  
FIG. 2 is a rear elevation view thereof;  
FIG. 3 is a right side view thereof;  
FIG. 4 is a left side view thereof;  
FIG. 5 is a top plan view thereof;

(Continued)

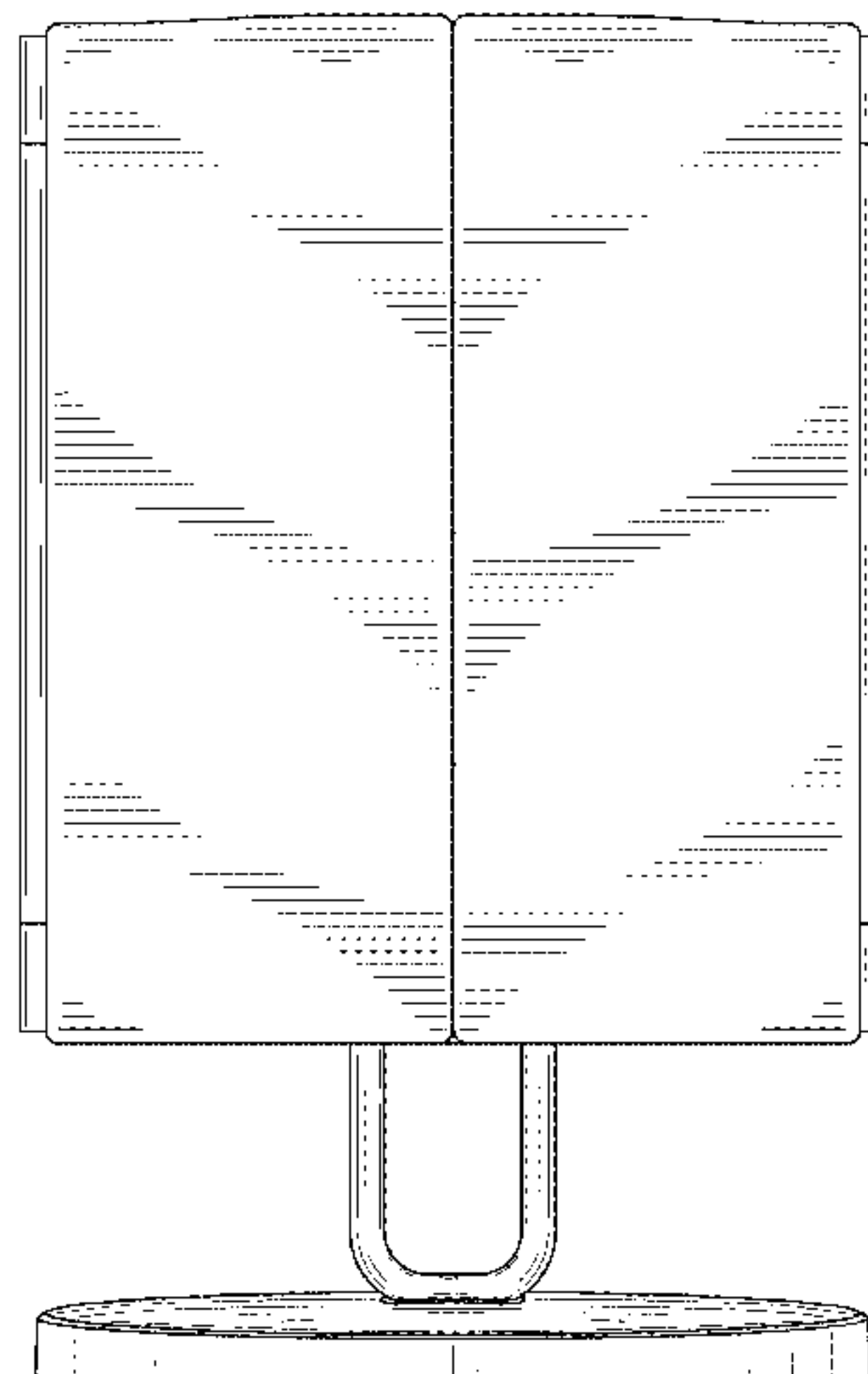


FIG. 6 is a bottom plan view thereof;  
FIG. 7 is a front left perspective view thereof;  
FIG. 8 is a rear left perspective view thereof; and,  
FIG. 9 is a front left perspective view of the foldable beauty mirror of FIG. 1 in an open state.  
The broken lines in the drawings depict portions of the foldable beauty mirror that form no part of the claim.

**1 Claim, 9 Drawing Sheets**

(56)

**References Cited**

U.S. PATENT DOCUMENTS

D833,762 S	*	11/2018	Liu	.....	D6/310
D861,356 S	*	10/2019	Zhu	.....	D6/310
D865,374 S	*	11/2019	Yang	.....	D6/310
D874,836 S	*	2/2020	Li	.....	D6/312
D878,776 S	*	3/2020	Liu	.....	D6/309

D881,588 S	*	4/2020	Zhu	.....	A45D 42/10 D6/310
D882,965 S	*	5/2020	Liu	.....	D6/302
D886,469 S	*	6/2020	Liu	.....	A45D 42/18 D6/310
2016/0255941 A1	*	9/2016	Yang	.....	A45D 42/18

OTHER PUBLICATIONS

TOUCHBeauty Trifold Makeup Mirror [online], [site visited Jul. 14, 2020]. Available from internet, URL:<[https://www.amazon.com/TOUCHBeauty-Trifold-Upgraded-Personal-Magnification/dp/B07XK7MC3X/ref=sr\\_1\\_3?dchild=1&keywords=touchbeauty+trifold+makeup+mirror+with+led+light&qid=1594768922&sr=8-3](https://www.amazon.com/TOUCHBeauty-Trifold-Upgraded-Personal-Magnification/dp/B07XK7MC3X/ref=sr_1_3?dchild=1&keywords=touchbeauty+trifold+makeup+mirror+with+led+light&qid=1594768922&sr=8-3)> (Year: 2019).\*

Halo LED Makeup Mirror [online], [site visited Jul. 14, 2020]. Available from internet, URL:<<https://impressionsvanity.com/collections/makeup-mirrors/products/halo-led-makeup-mirror>> (Year: 2020).\*

\* cited by examiner

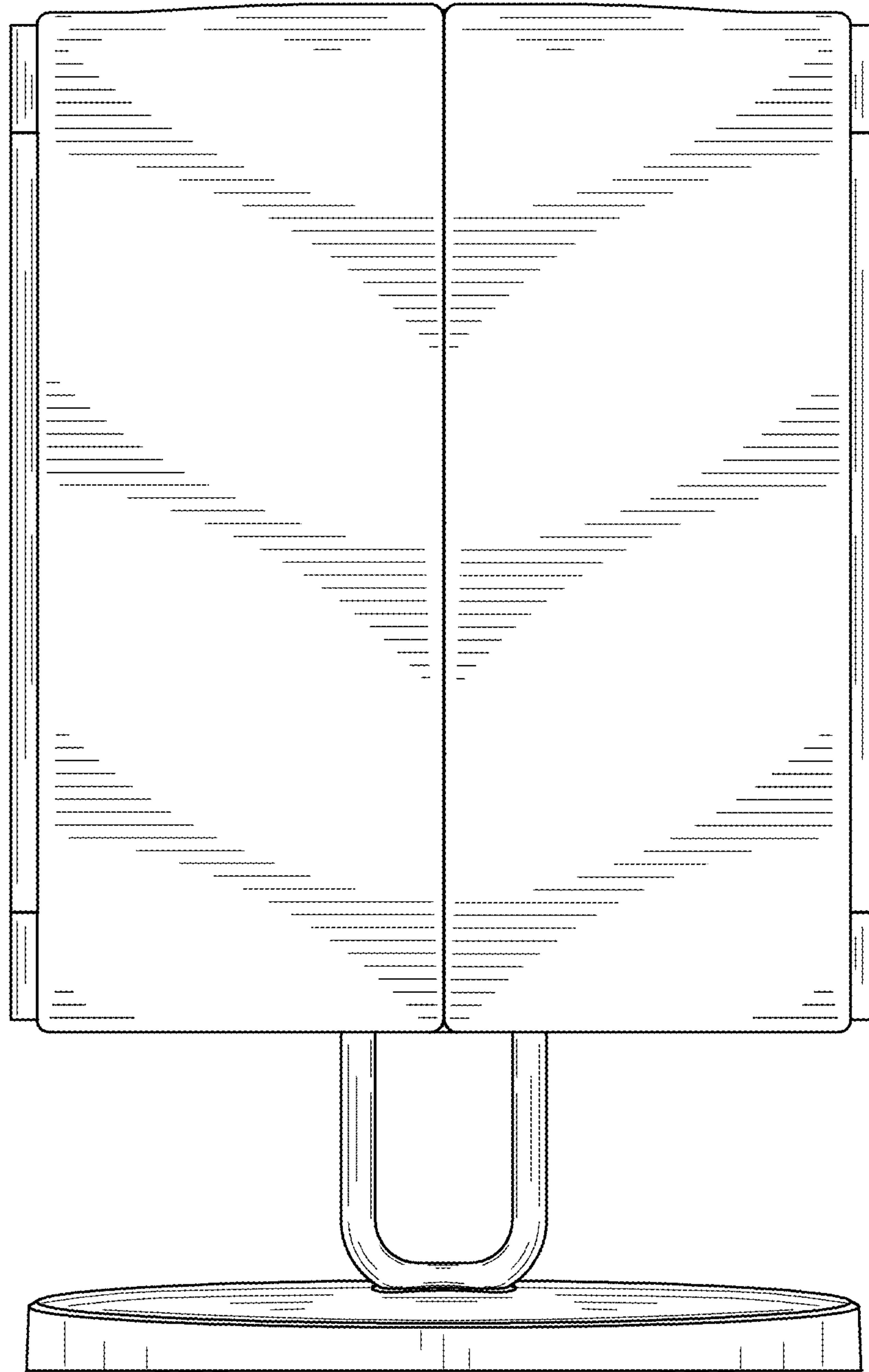


FIG.1

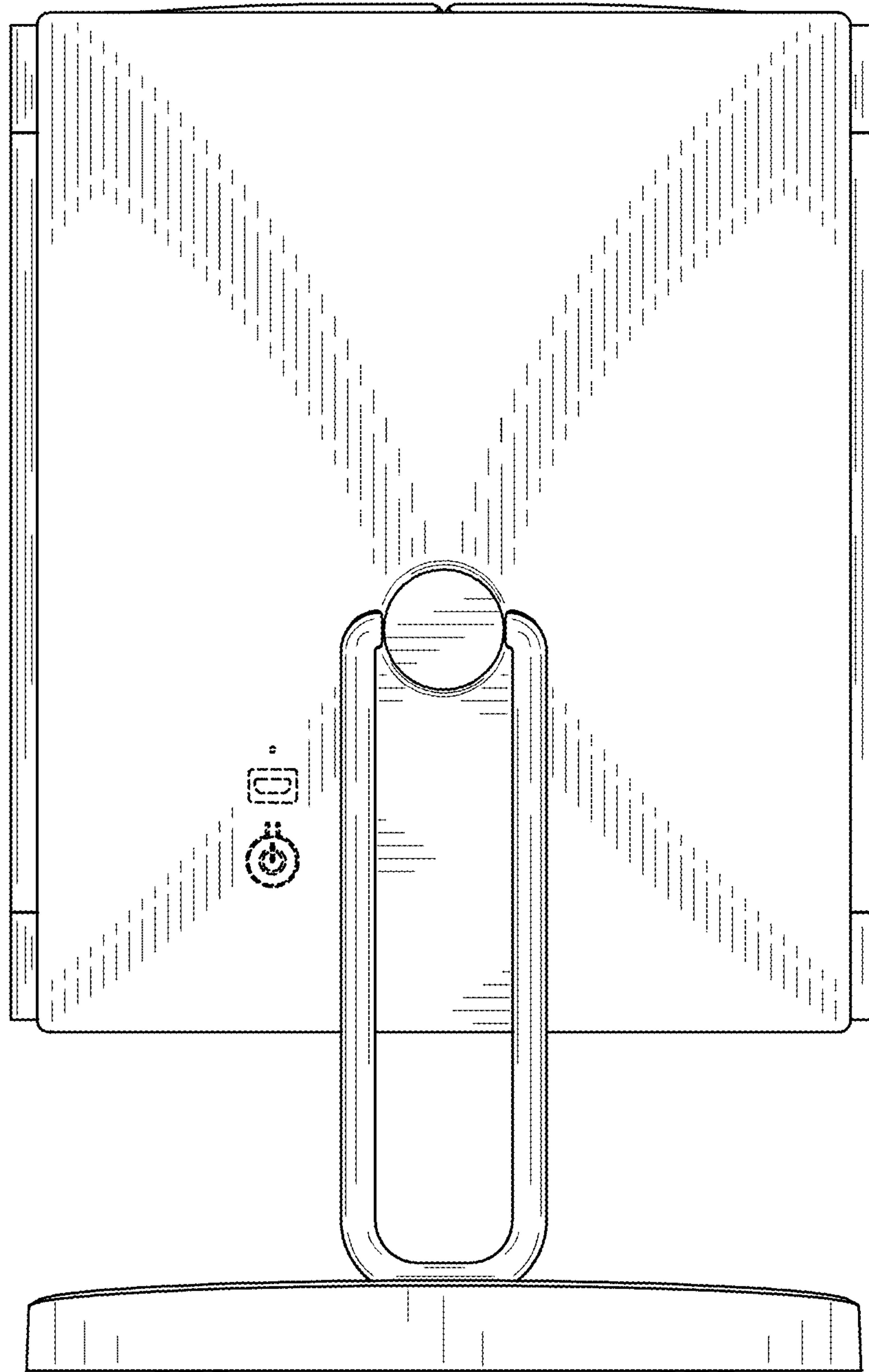
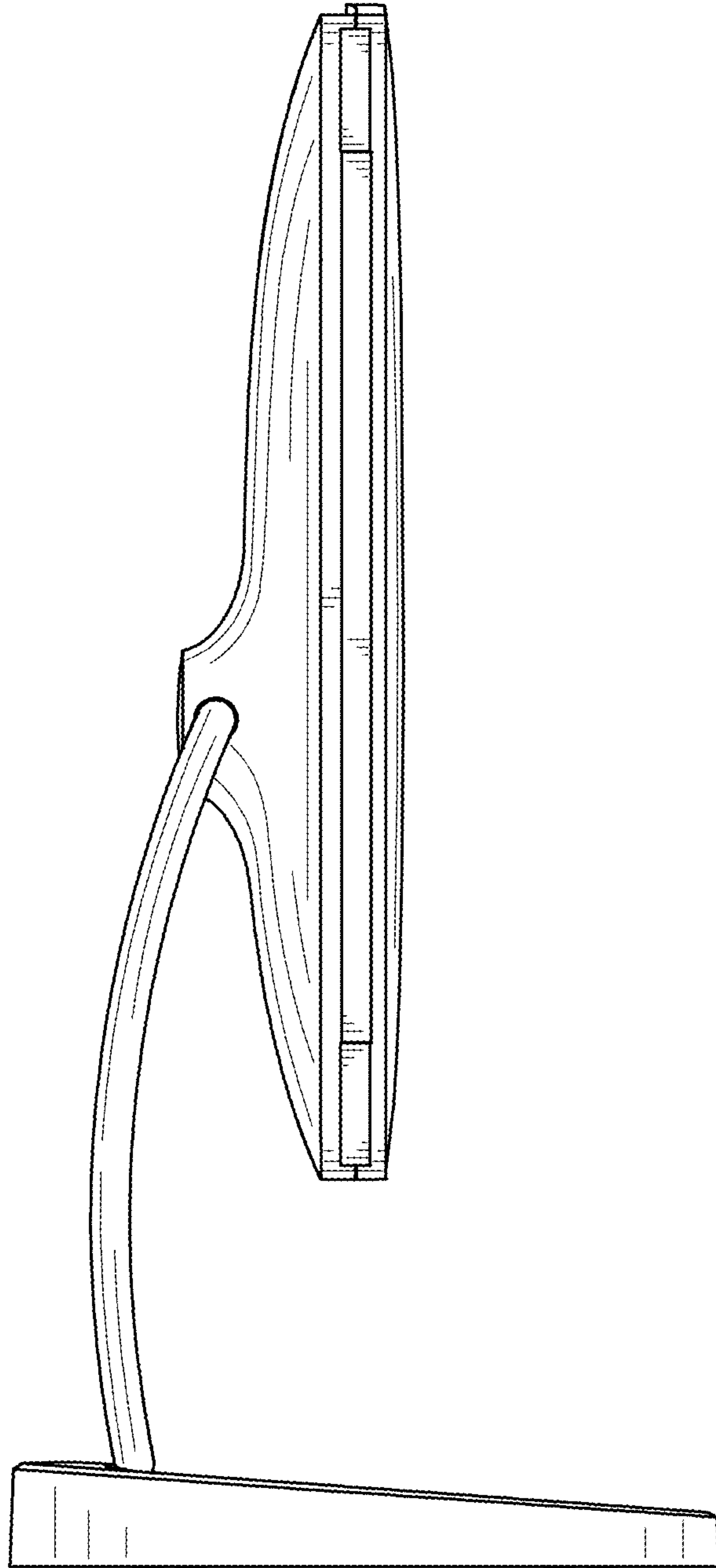
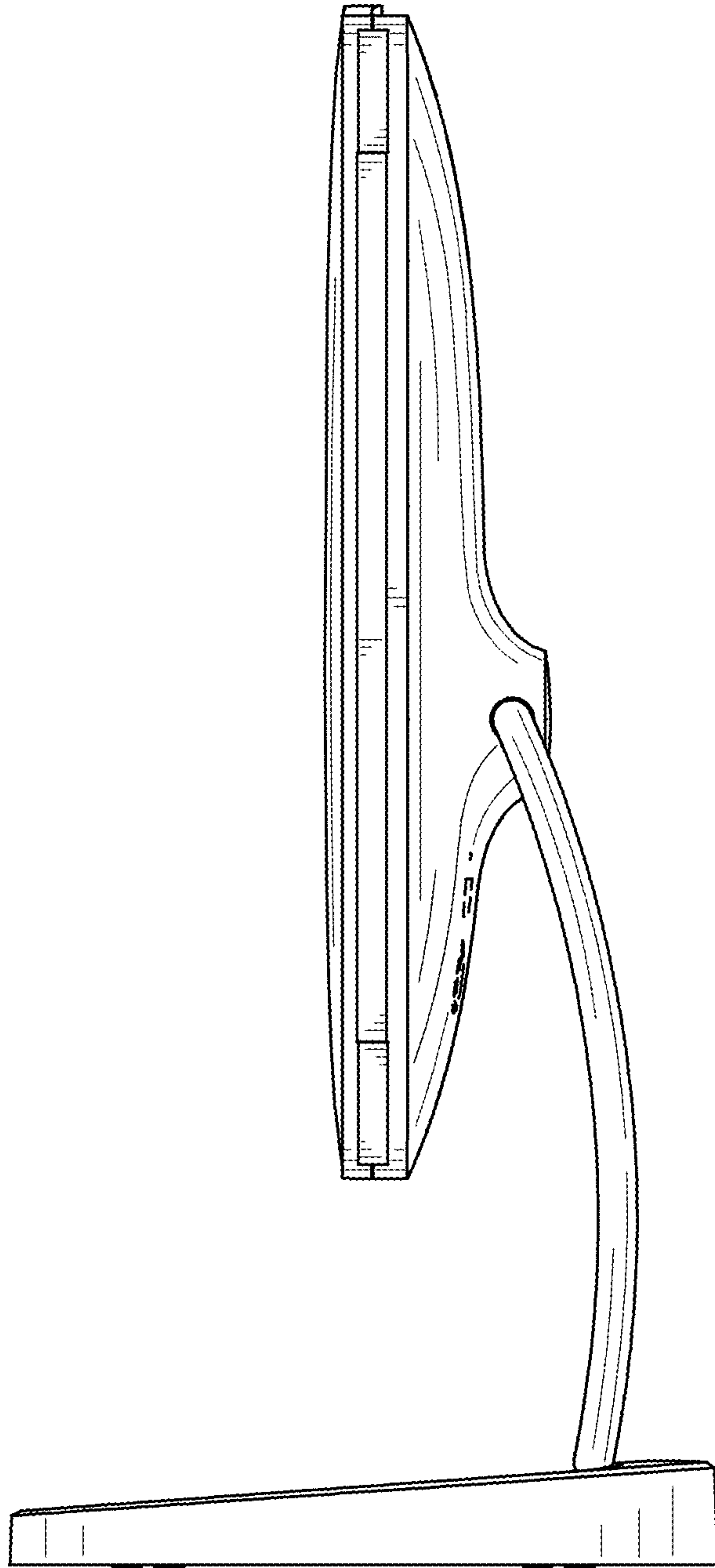


FIG.2



**FIG.3**



**FIG.4**



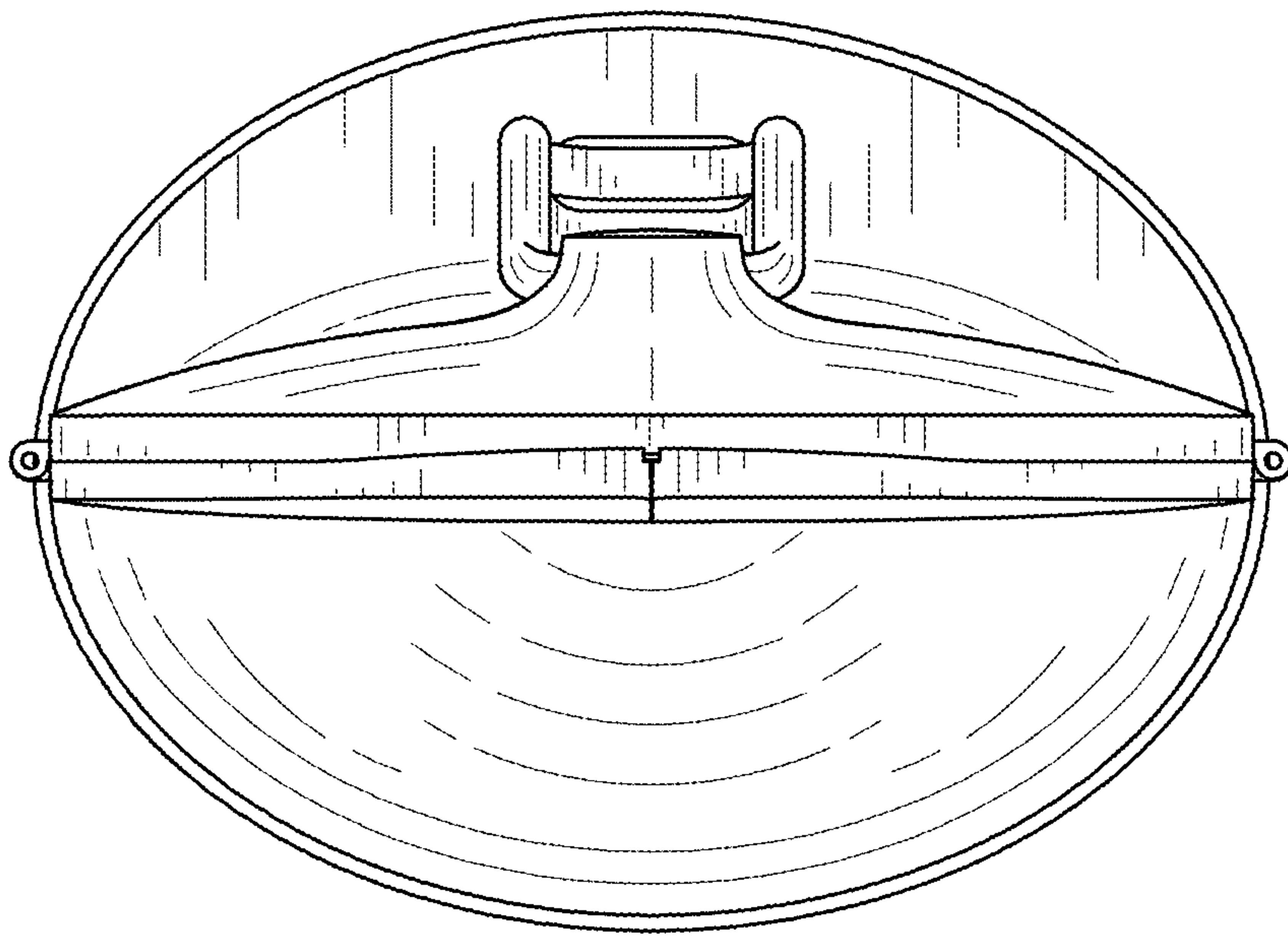
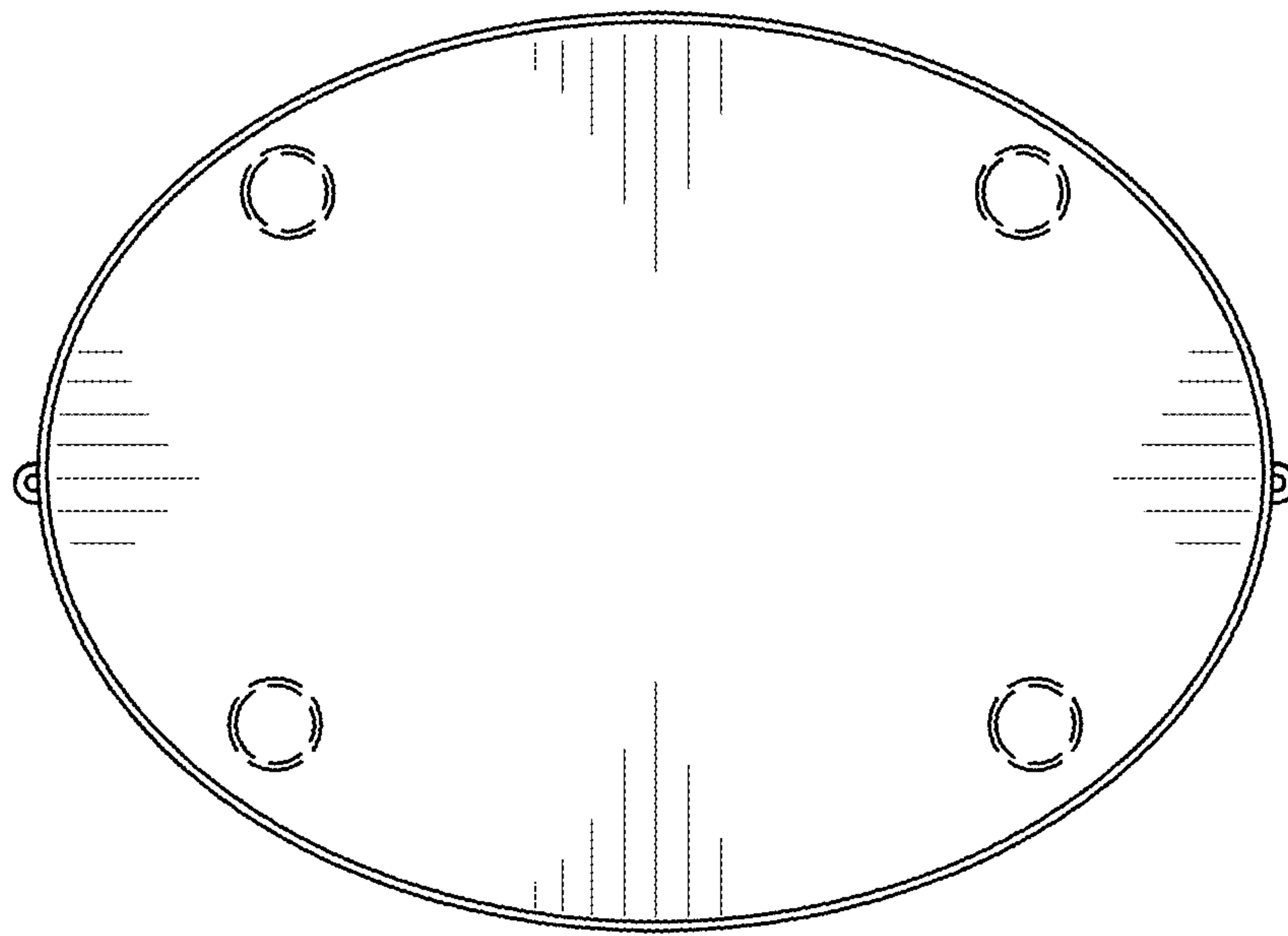
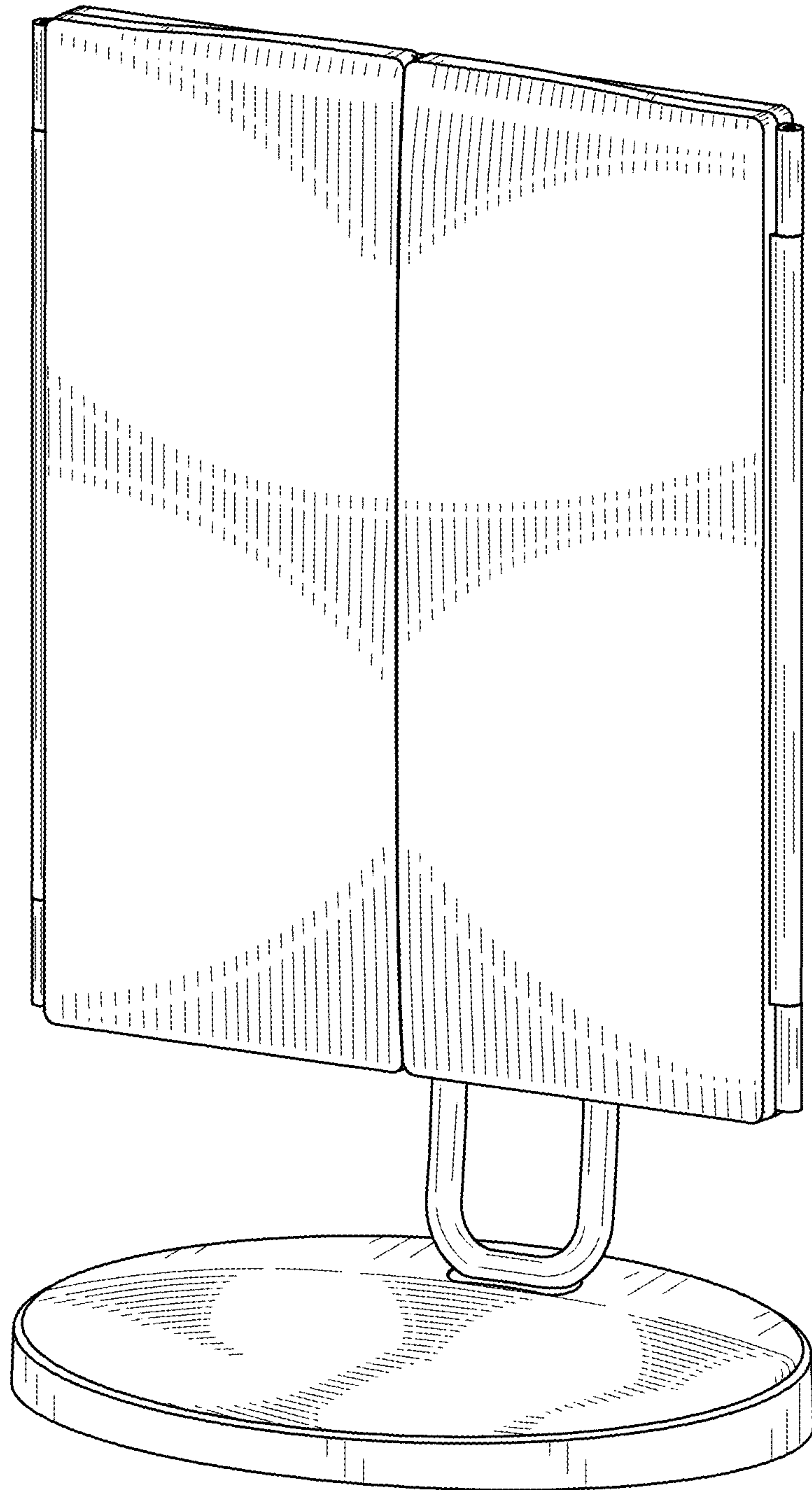


FIG.5



**FIG.6**





**FIG.7**

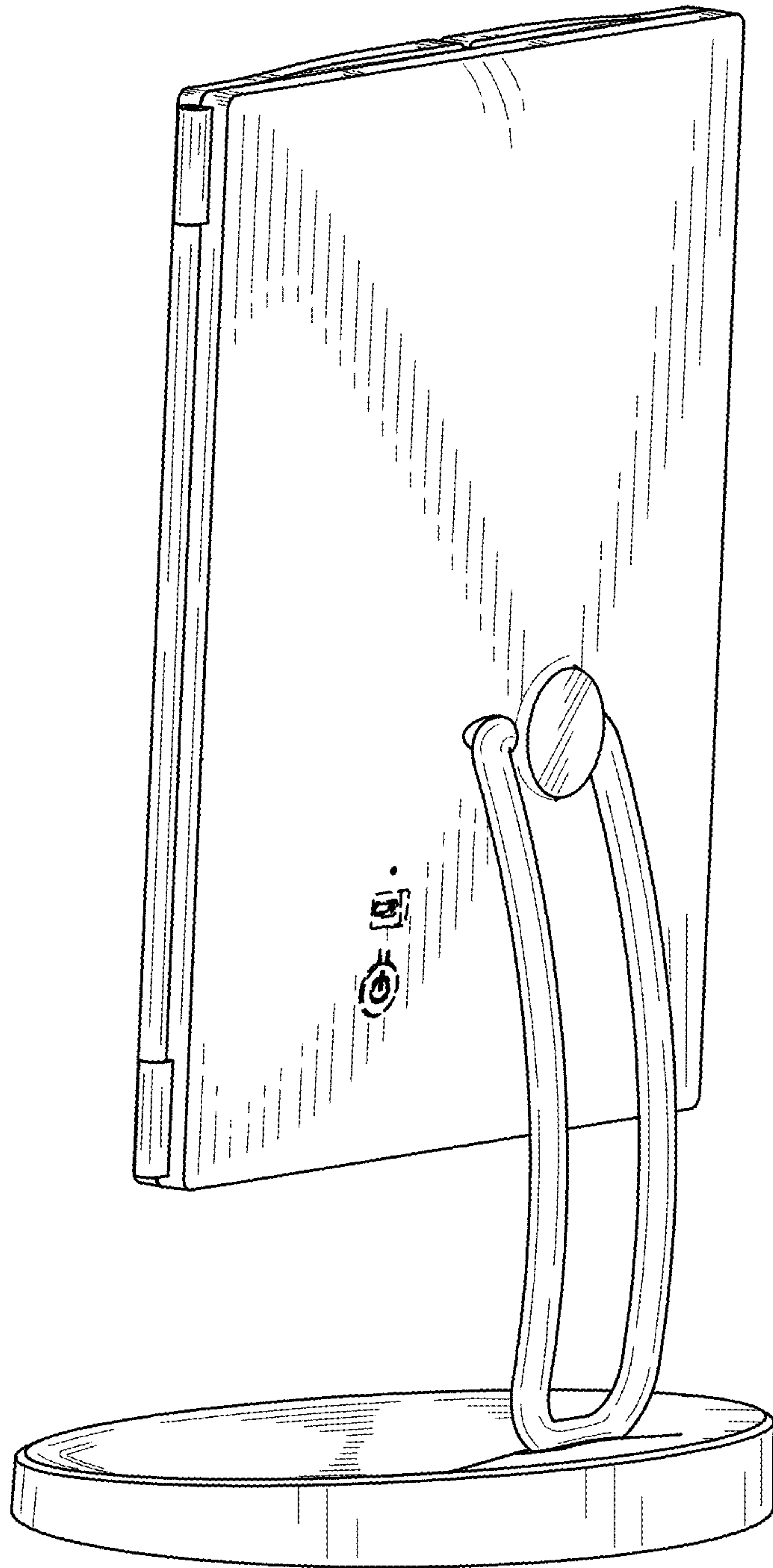
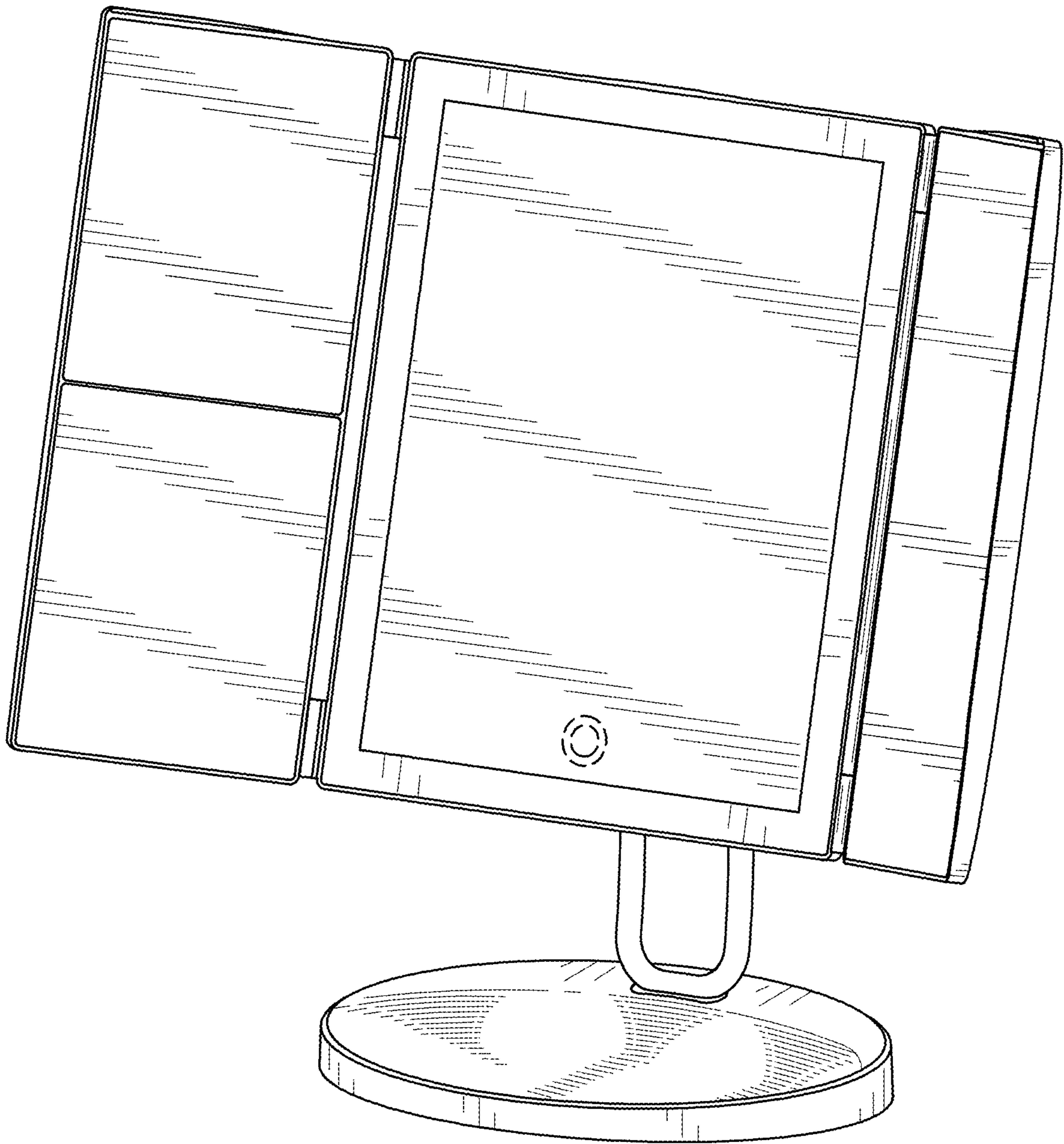


FIG.8



**FIG.9**