



US00D897688S

(12) **United States Design Patent** (10) **Patent No.:** **US D897,688 S**
Li (45) **Date of Patent:** **** Oct. 6, 2020**

(54) **HAIRBRUSH**

(71) Applicant: **Qingmei Li**, Guangdong (CN)

(72) Inventor: **Qingmei Li**, Guangdong (CN)

(**) Term: **15 Years**

(21) Appl. No.: **29/669,775**

(22) Filed: **Nov. 12, 2018**

(51) **LOC (12) Cl.** **04-02**

(52) **U.S. Cl.**

USPC **D4/128; D4/136**

(58) **Field of Classification Search**

USPC D4/100, 116, 121, 130, 132, 134, 136,
D4/138, 199; D28/13, 24, 28, 31, 35, 25,
D28/15

CPC A46B 9/02; A46B 9/023; A46B 9/028;
A46B 15/0059; A46B 2200/104

See application file for complete search history.

(56) **References Cited**

U.S. PATENT DOCUMENTS

D249,893 S *	10/1978	Armbruster	D24/211
D315,038 S *	2/1991	Strickler	D24/211
D321,434 S *	11/1991	Strickler	D30/158
D326,362 S *	5/1992	Bertwell	D30/158
D326,562 S *	6/1992	Bertwell	D30/158
D333,730 S *	3/1993	Martin	D30/158
D356,685 S *	3/1995	Bertwell	D4/125
D533,355 S *	12/2006	Rusk	D4/132
D632,487 S *	2/2011	Watanabe	D28/63
D660,005 S *	5/2012	Prague	D4/114
D724,752 S *	3/2015	Huang	D24/215
D746,062 S *	12/2015	Pan	D4/127
D834,333 S *	11/2018	Krus	D4/199
2006/0102190 A1 *	5/2006	Rusk	A45D 7/02 132/200

FOREIGN PATENT DOCUMENTS

CN	305084200	*	3/2019
CN	305213442	*	6/2019
EM	005944097-0001	*	1/2019
KR	3020080000318	*	3/2008

OTHER PUBLICATIONS

“How to: Maximize hair growth in the shower!!!” video by Sherrese & Nana [on-line]. [Published Nov. 18, 2019.] [Retrieved from the Internet Jun. 19, 2020.] URL: <https://www.youtube.com/watch?v=tFtFI9YSDHE> (Year: 2019).*

Screen captures from video, “How to: Maximize hair growth in the shower!!!” by Sherrese & Nana [on-line]. [Published Nov. 18, 2019.] [Retrieved from the Internet Jun. 19, 2020.] URL: <https://www.youtube.com/watch?v=tFtFI9YSDHE> (Year: 2019).*

* cited by examiner

Primary Examiner — Karen E Eldridge Powers

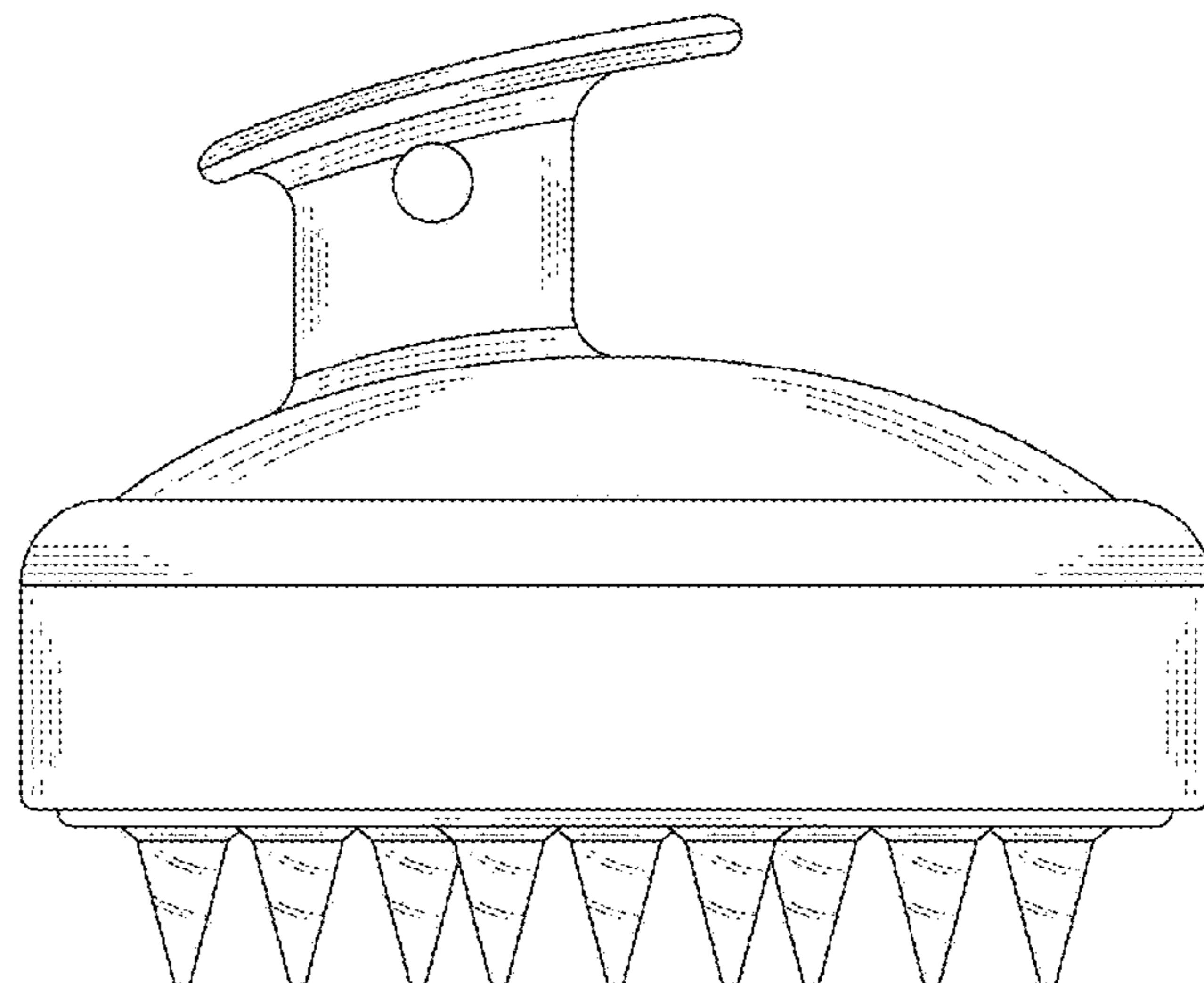
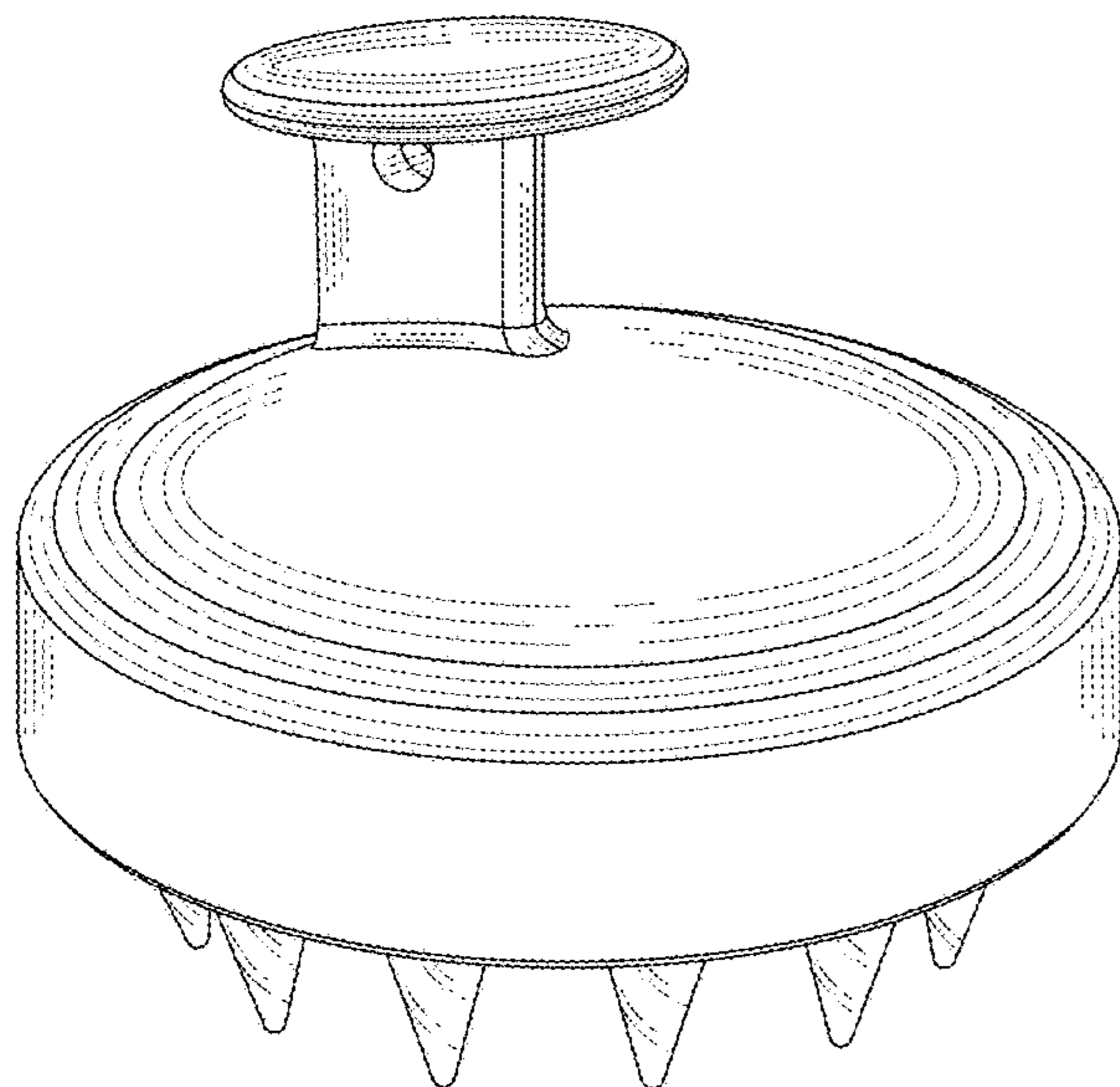
(57) **CLAIM**

I claim the ornamental design for a hairbrush, as shown and described.

DESCRIPTION

FIG. 1 is a perspective view of a hairbrush showing my new design;
FIG. 2 is a front elevational view thereof;
FIG. 3 is a rear elevational view thereof;
FIG. 4 is a left side elevational view thereof;
FIG. 5 is a right side elevational view thereof;
FIG. 6 is a top plan view thereof; and,
FIG. 7 is a bottom plan view thereof.

1 Claim, 7 Drawing Sheets



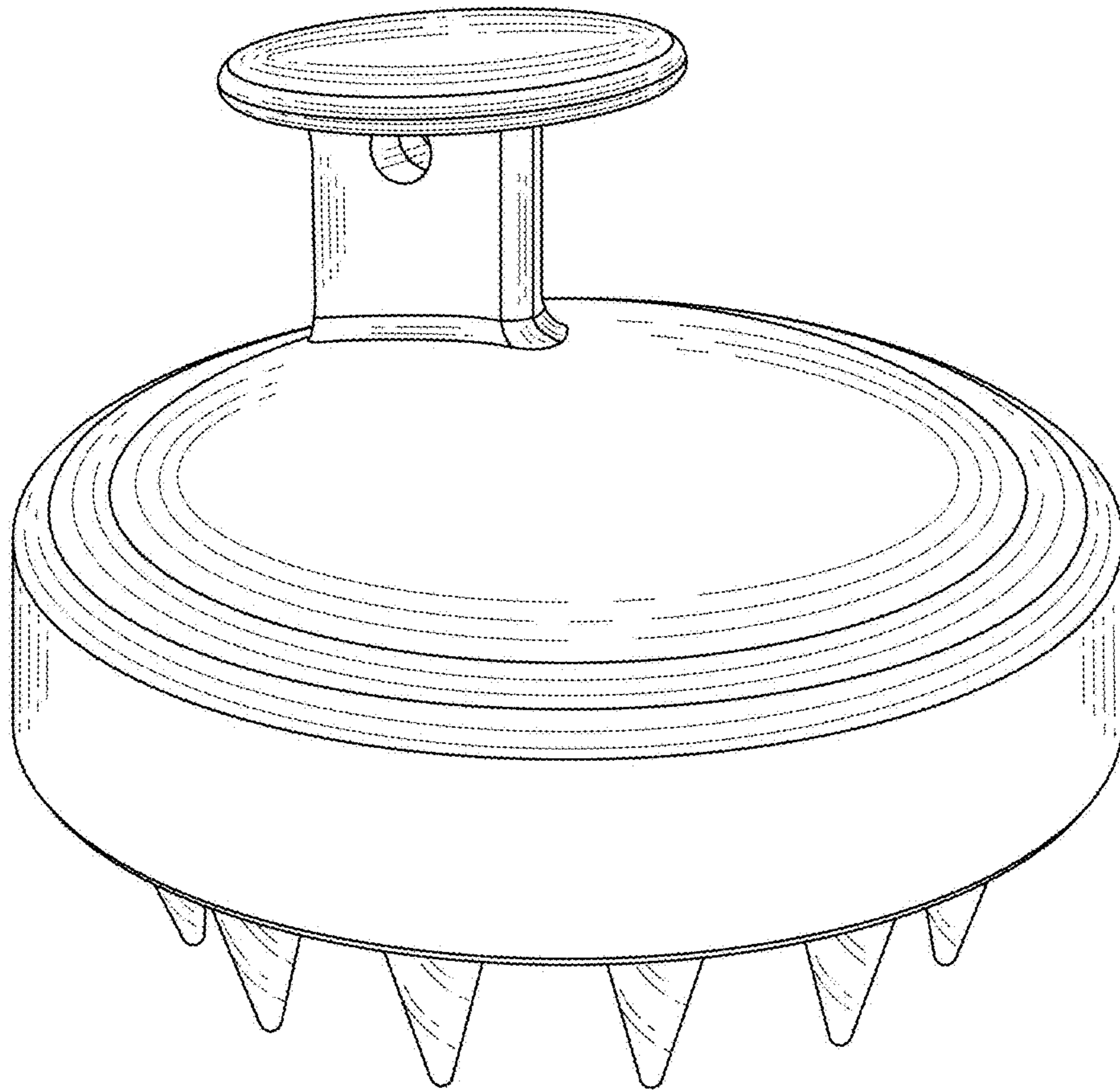


FIG.1

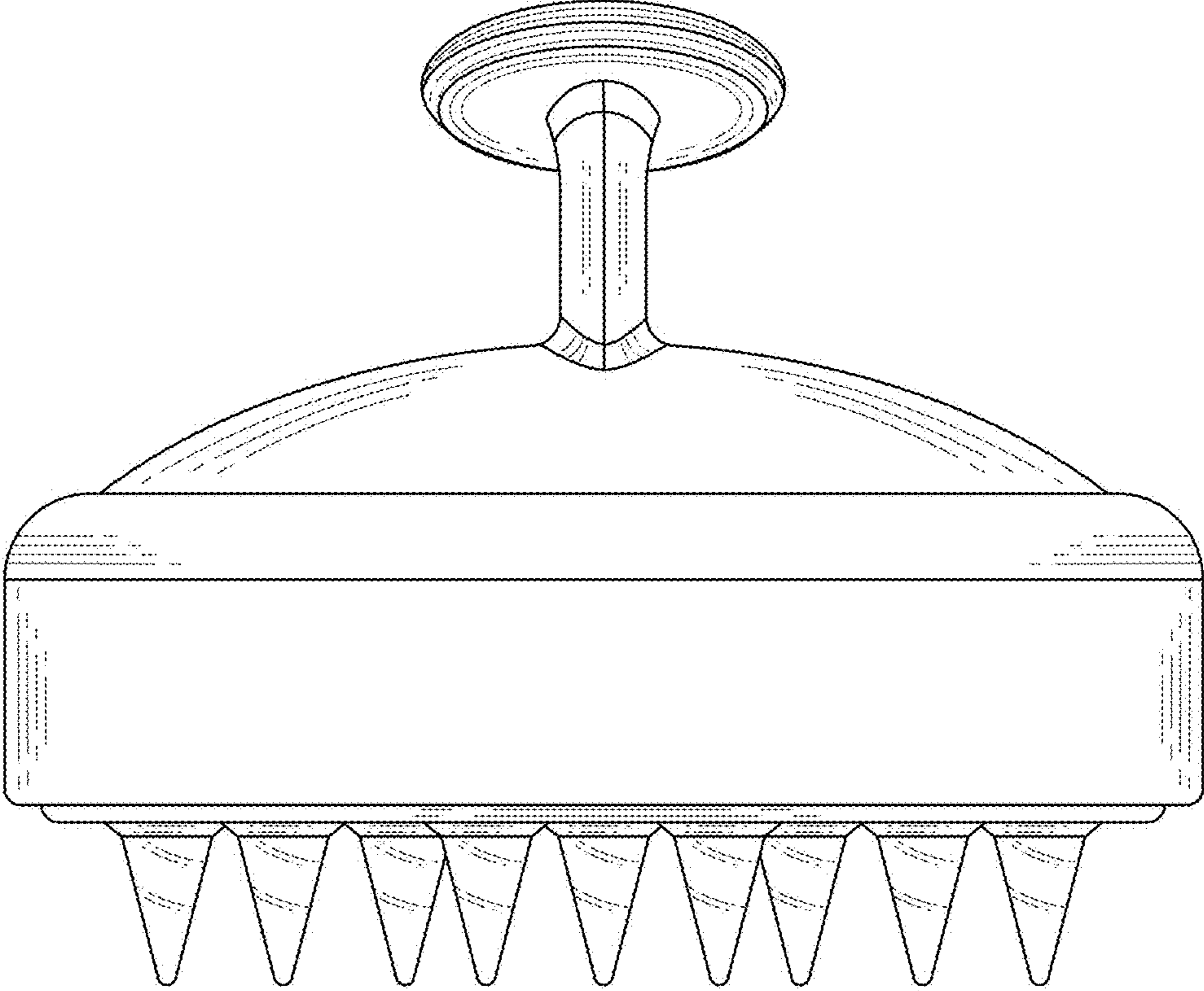


FIG.2

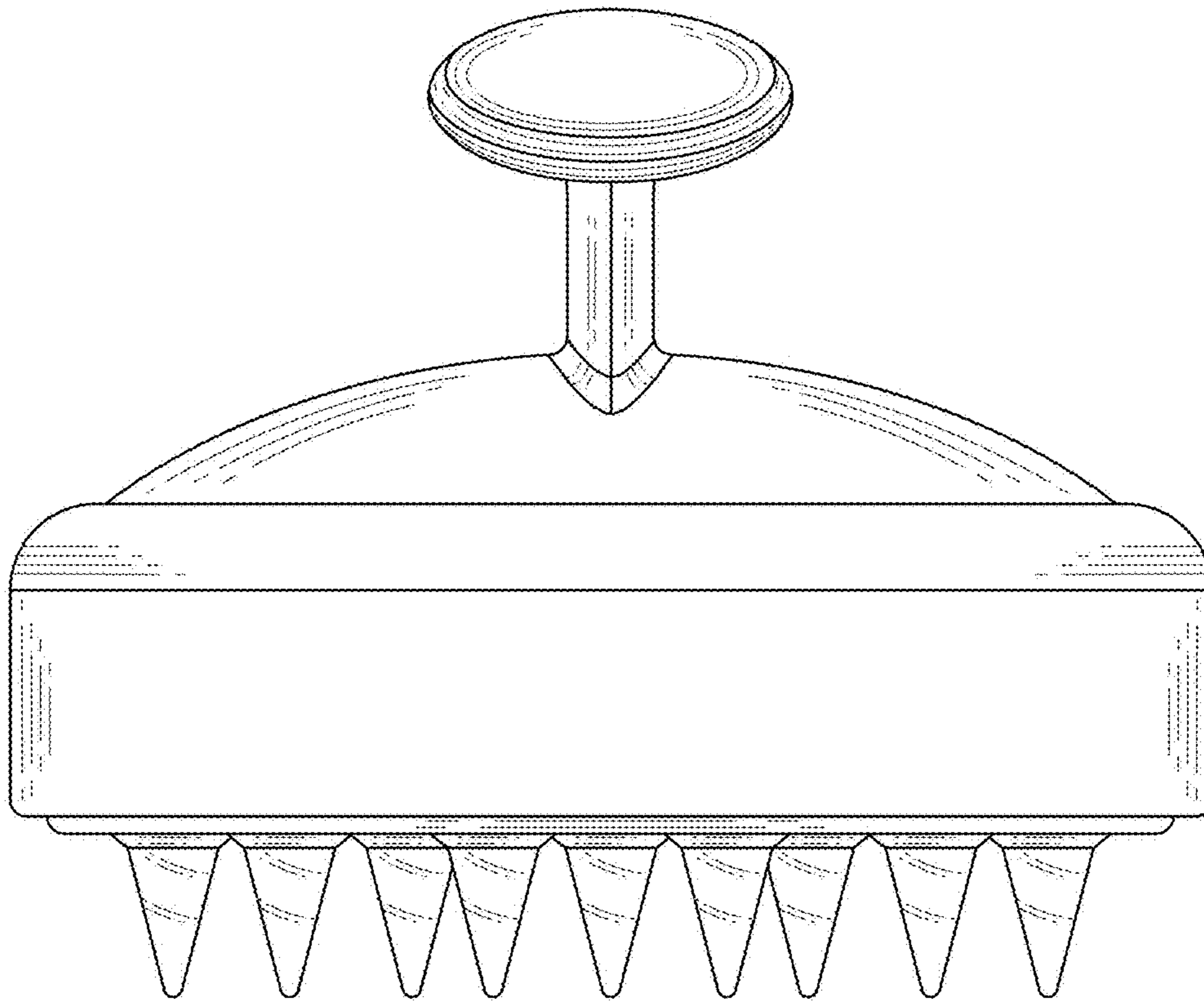


FIG.3

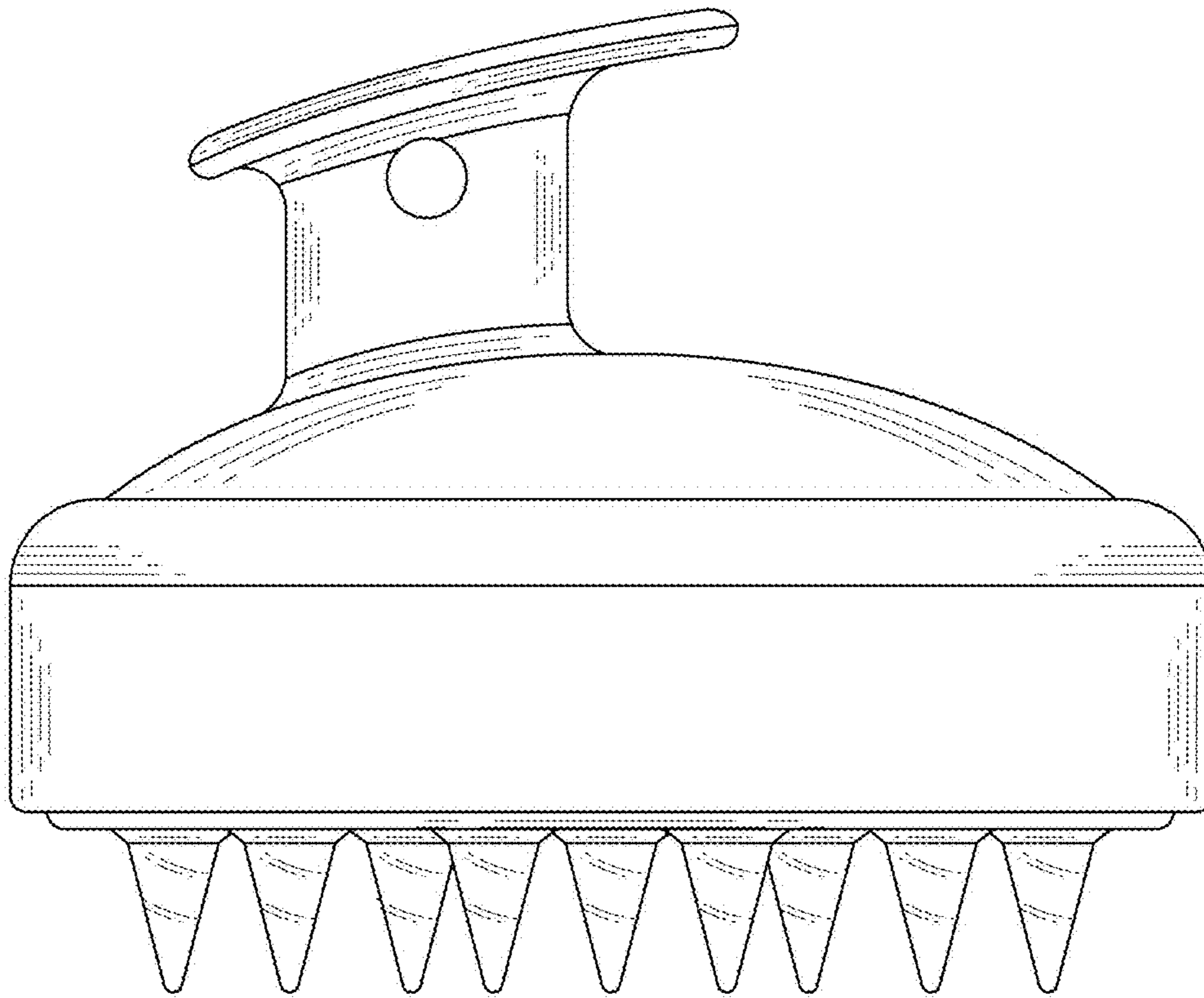


FIG.4

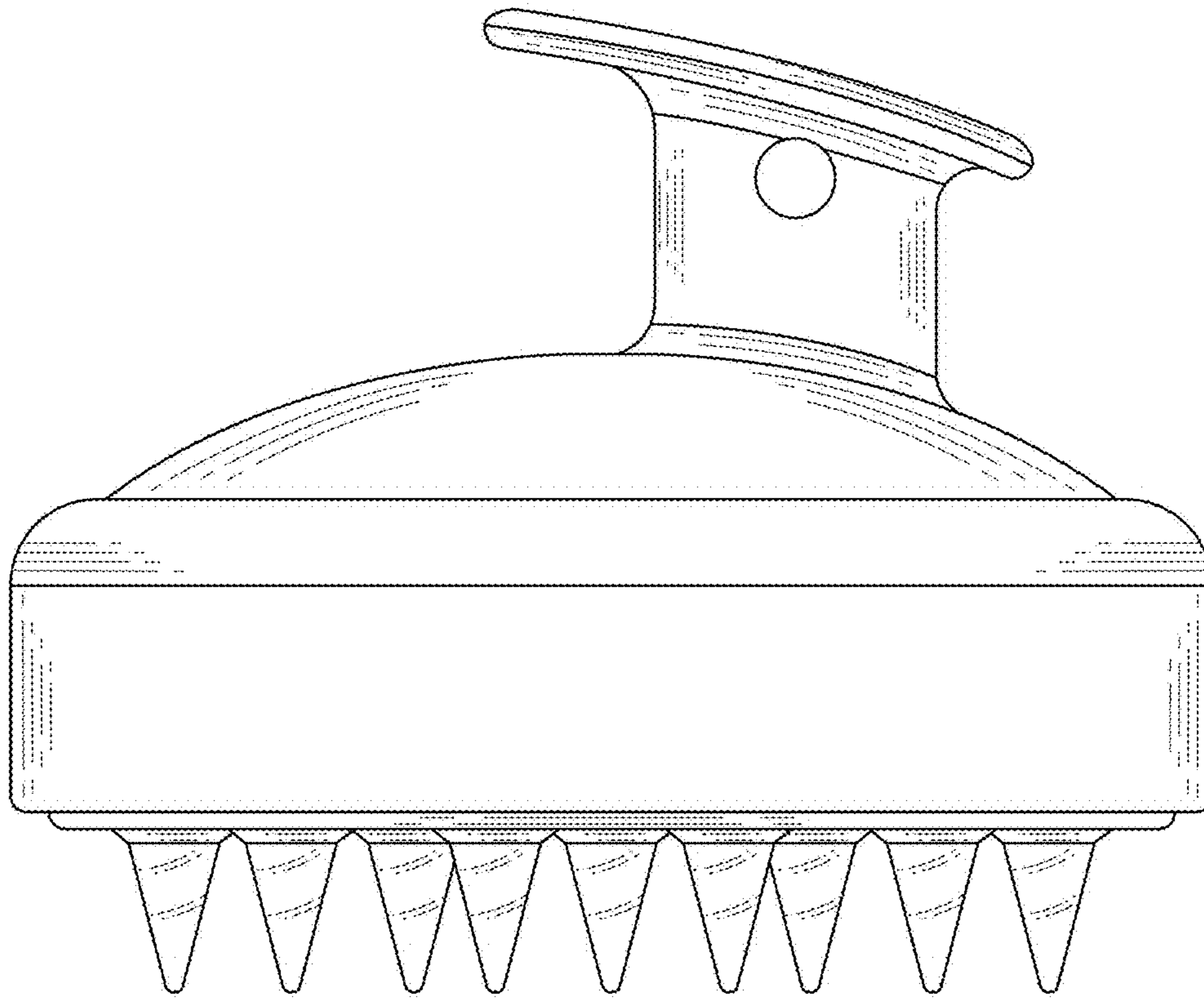


FIG.5

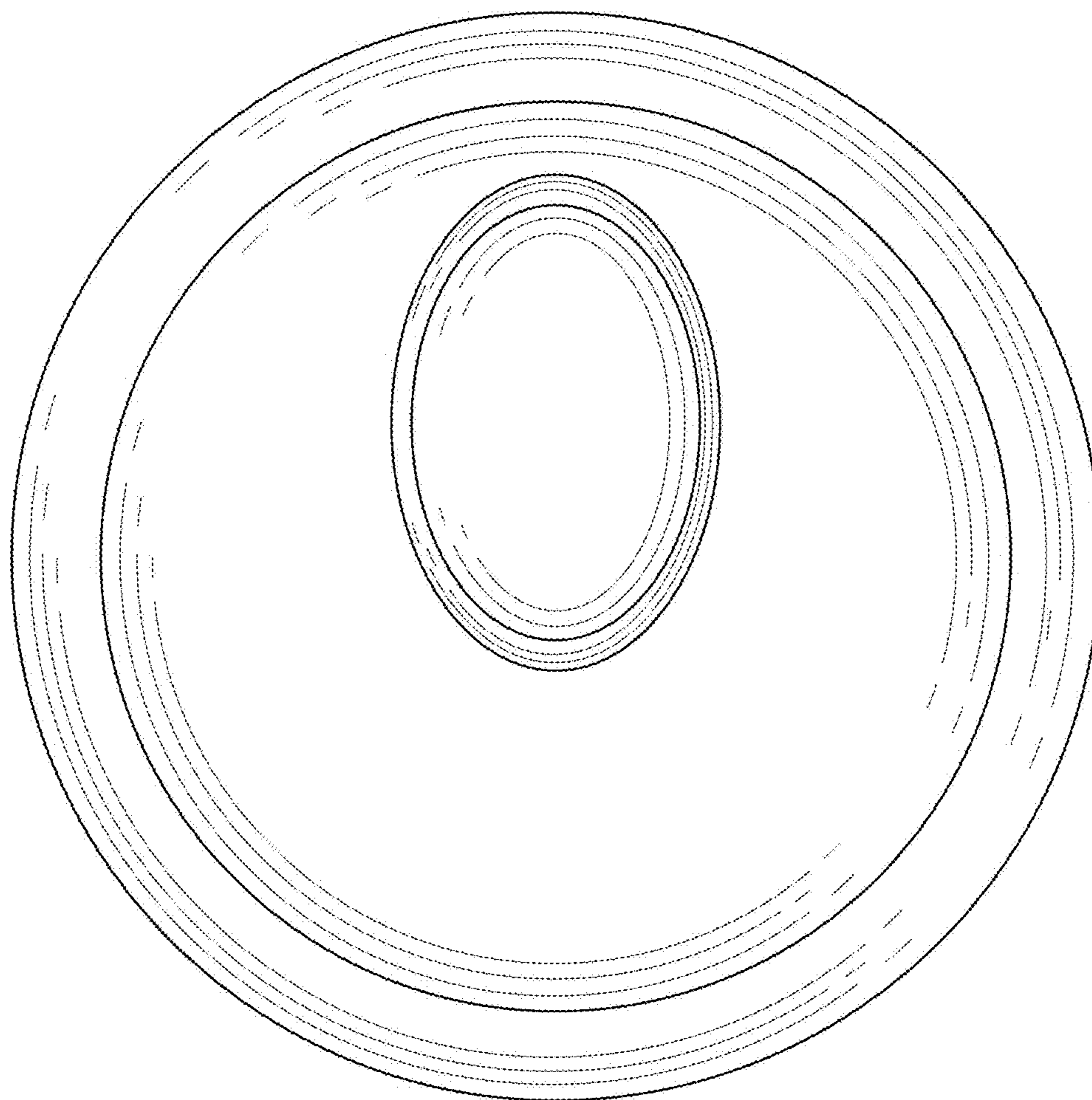


FIG.6

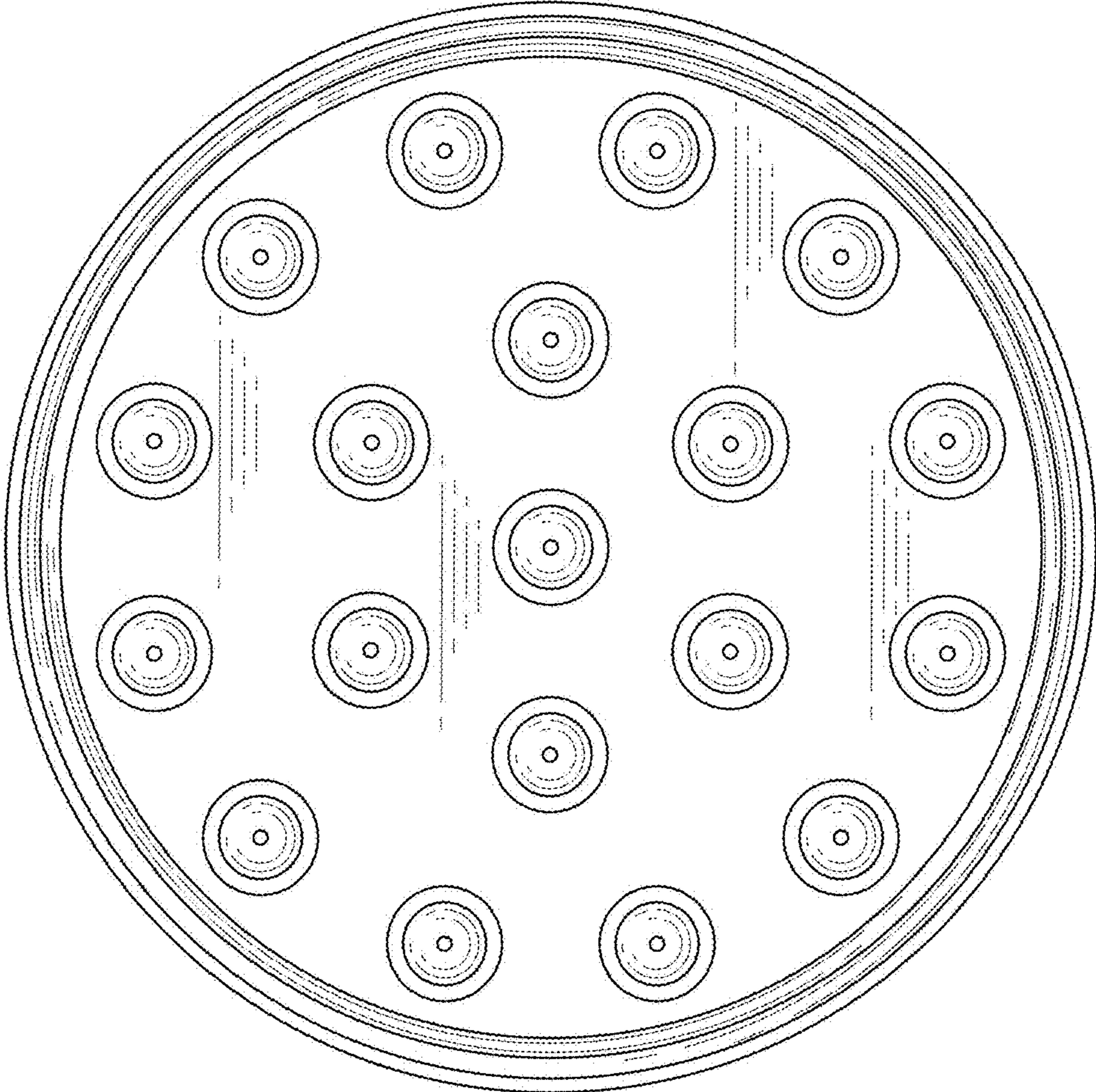


FIG.7