



US00D897683S

(12) **United States Design Patent** (10) **Patent No.:** **US D897,683 S**
Chen (45) **Date of Patent:** **** Oct. 6, 2020**

- (54) **LUGGAGE CASTER**
- (71) Applicant: **Solite International Co., Ltd.**,
Changhua, Changhua County (TW)
- (72) Inventor: **Yu-Chi Chen**, Changhua (TW)
- (73) Assignee: **Solite International Co., Ltd.**,
Changhua (TW)
- (**) Term: **15 Years**
- (21) Appl. No.: **29/653,453**
- (22) Filed: **Jun. 15, 2018**
- (51) **LOC (12) Cl.** **03-01**
- (52) **U.S. Cl.**
USPC **D3/318; D8/375**
- (58) **Field of Classification Search**
USPC D3/271.12, 272-302, 318; D8/375;
D6/366, 716, 716.7, 708.24;
D12/128-133; D34/12-27
CPC .. A45C 1/00; A45C 1/02; A45C 1/024; A45C
1/04; A45C 1/06; A45C 2001/022; A45C
2001/067; A45C 2001/083; A45C
2001/086; A45C 2001/101; A45C
2001/102; A45C 3/00; A45C 3/001; A45C
3/04; A45C 3/045; A45C 3/06; A45C
3/10; A45C 5/00; A45C 5/03; A45C 5/04;
A45C 5/06; A45C 5/08; A45C 5/14;
A45C 5/141; A45C 5/146; A45C 7/00;
A45C 7/0018; A45C 7/005; A45C
7/0045; A45C 7/0054; A45C 7/0059;
A45C 7/0095; A45C 2011/001; A45C
2011/002; A45C 2011/003; A45C 11/20
See application file for complete search history.

(56) **References Cited**
U.S. PATENT DOCUMENTS

- D32,224 S * 2/1900 Clark D8/375
- D185,032 S * 4/1959 Moore D8/375

- D200,462 S * 3/1965 Teague D8/375
- D212,935 S * 12/1968 Appel D8/375
- D218,142 S * 7/1970 Forman D8/375
- D282,439 S * 2/1986 Kotzin D8/375
- 4,689,848 A * 9/1987 Kotzin B60B 33/00
16/31 R
- D343,787 S * 2/1994 Finkeldey D8/375
- D409,900 S * 5/1999 Simons D8/375
- D439,869 S * 4/2001 Kjell D12/128
- D448,278 S * 9/2001 Chi D12/133
- D451,788 S * 12/2001 Grove D8/375
- D457,810 S * 5/2002 Chi D8/375
- D464,872 S * 10/2002 Schultz D8/375
- D469,002 S * 1/2003 McCord D8/374
- D479,164 S * 9/2003 Wu D12/130
- D481,336 S * 10/2003 Wu D12/130
- D486,382 S * 2/2004 Sedgwick D8/375
- D556,552 S * 12/2007 Salway D8/375
- D557,121 S * 12/2007 Screen D8/375
- D557,123 S * 12/2007 Screen D8/375
- D557,596 S * 12/2007 Screen D8/375

(Continued)

Primary Examiner — Cathron C Brooks
Assistant Examiner — Andrew T Nemeth
(74) *Attorney, Agent, or Firm* — Alan D. Kamrath; Mayer
& Williams PC

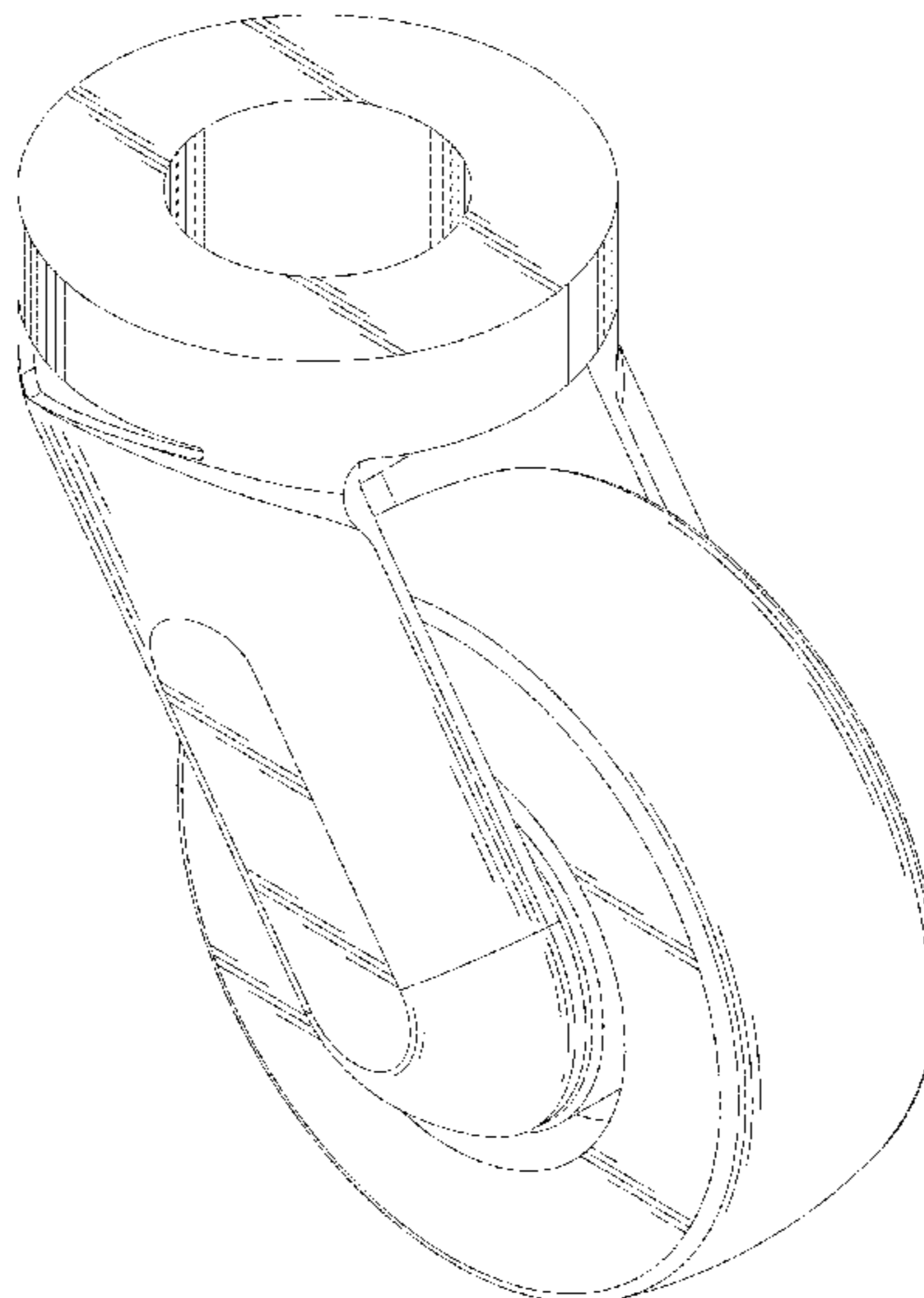
(57) **CLAIM**

The ornamental design for a luggage caster, as shown and described.

DESCRIPTION

FIG. 1 is a perspective view of a luggage caster showing my new design;
FIG. 2 is a front view thereof;
FIG. 3 is a rear view thereof;
FIG. 4 is a left view thereof;
FIG. 5 is a right view thereof;
FIG. 6 is a top view thereof; and,
FIG. 7 is a bottom view thereof.

1 Claim, 7 Drawing Sheets



(56)

References Cited

U.S. PATENT DOCUMENTS

D560,563	S *	1/2008	Fransson	D12/130
D570,200	S *	6/2008	Jen	D8/375
D573,452	S *	7/2008	Graffunder	D8/375
D594,316	S *	6/2009	Rhein	D8/375
D603,690	S *	11/2009	Rhein	D8/375
D637,069	S *	5/2011	Venne	D8/375
D639,638	S *	6/2011	Jorgensen	D3/318
D710,187	S *	8/2014	Gronholm	D8/375
D733,541	S *	7/2015	Fan	D8/375
D744,909	S *	12/2015	Birk	D12/130
D805,711	S *	12/2017	Magnusson	D34/21
D826,794	S *	8/2018	Walker	D12/129
D830,816	S *	10/2018	Chan	D8/375
D856,198	S *	8/2019	Conley	D12/133
D862,026	S *	10/2019	Carzola	D34/14
D873,183	S *	1/2020	Gabriely	D12/131
2007/0119661	A1 *	5/2007	Chang	B60B 33/021
					188/1.12
2010/0306962	A1 *	12/2010	Breyer	B60B 33/001
					16/46

* cited by examiner

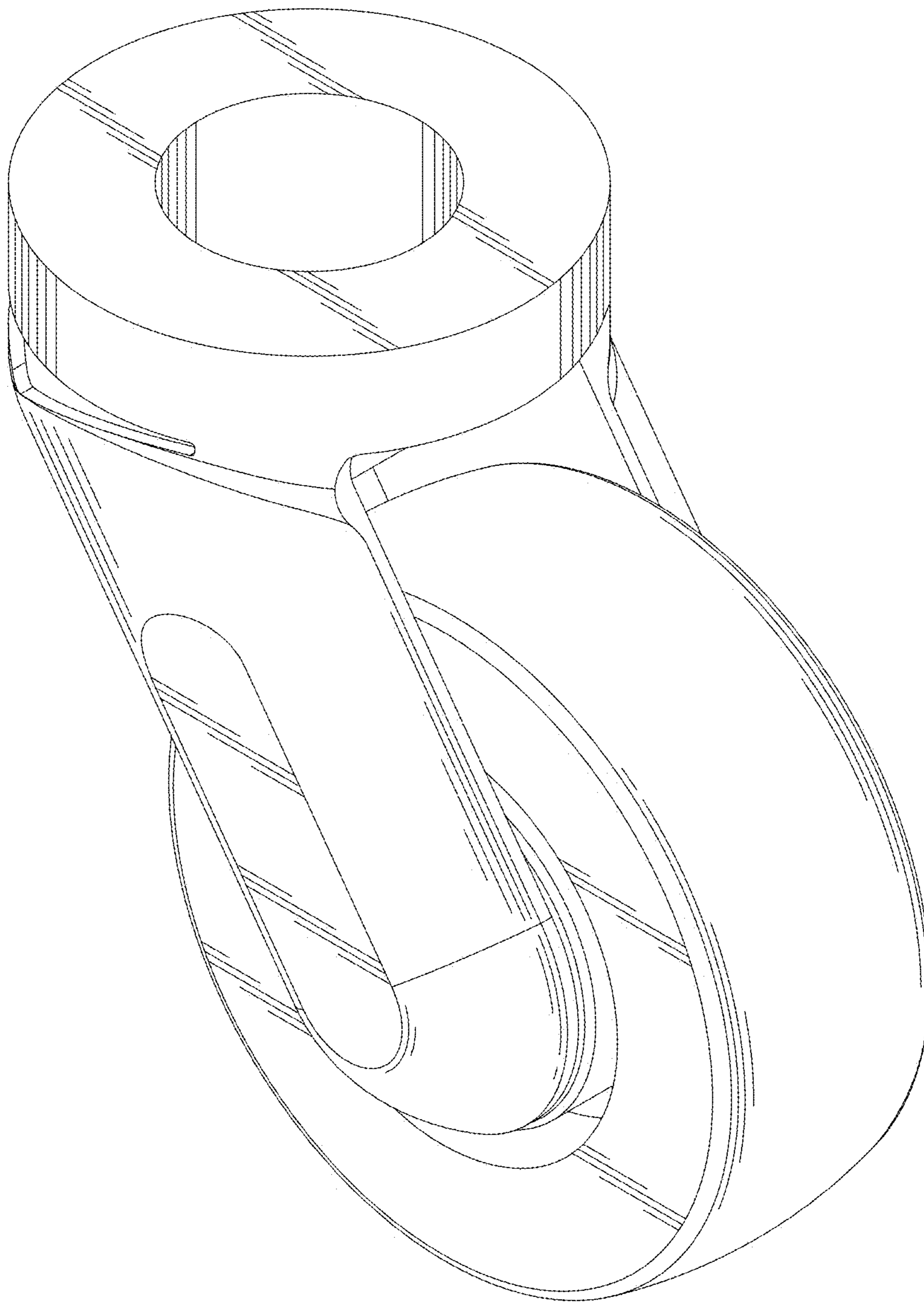


FIG. 1

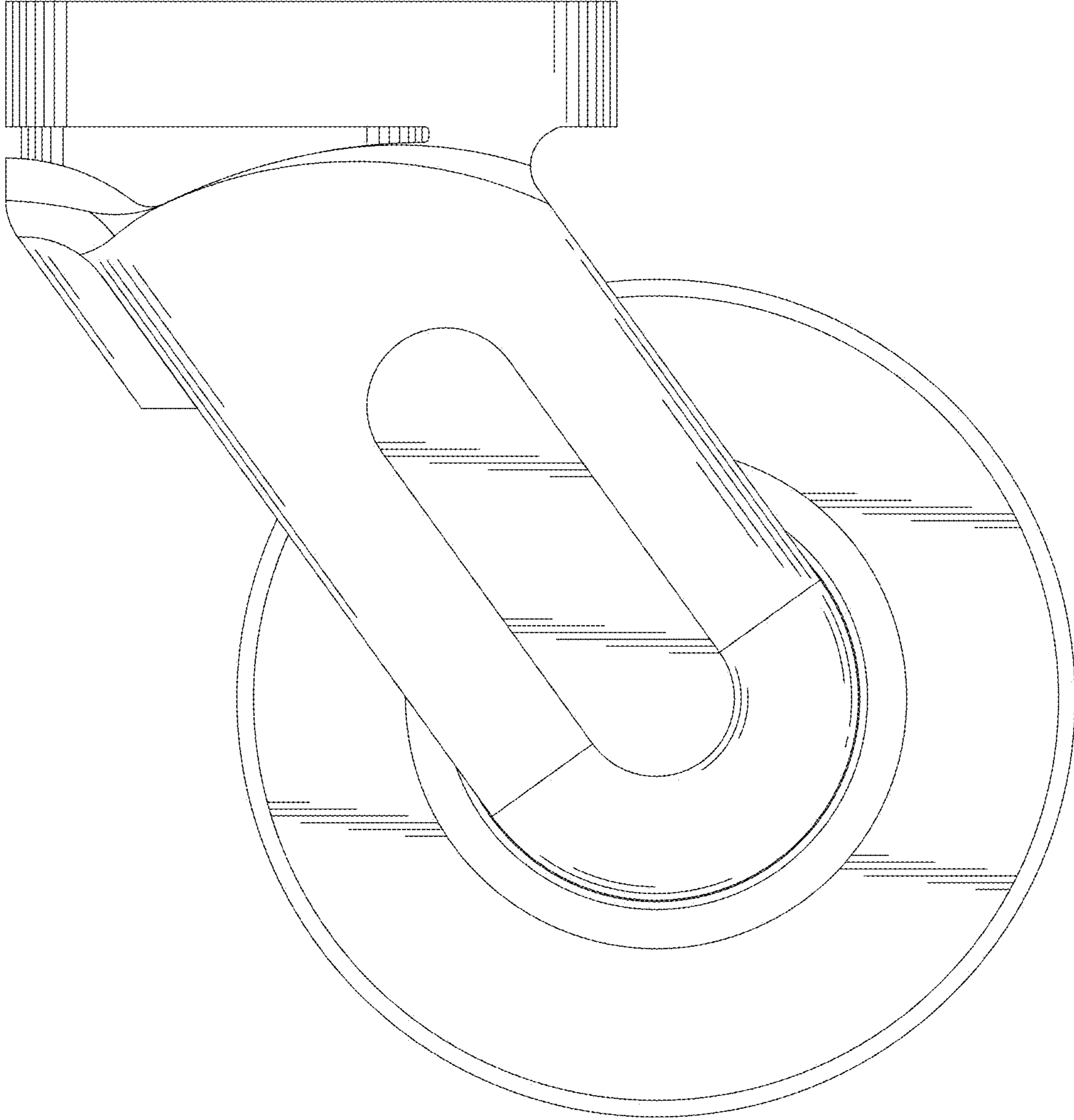


FIG. 2

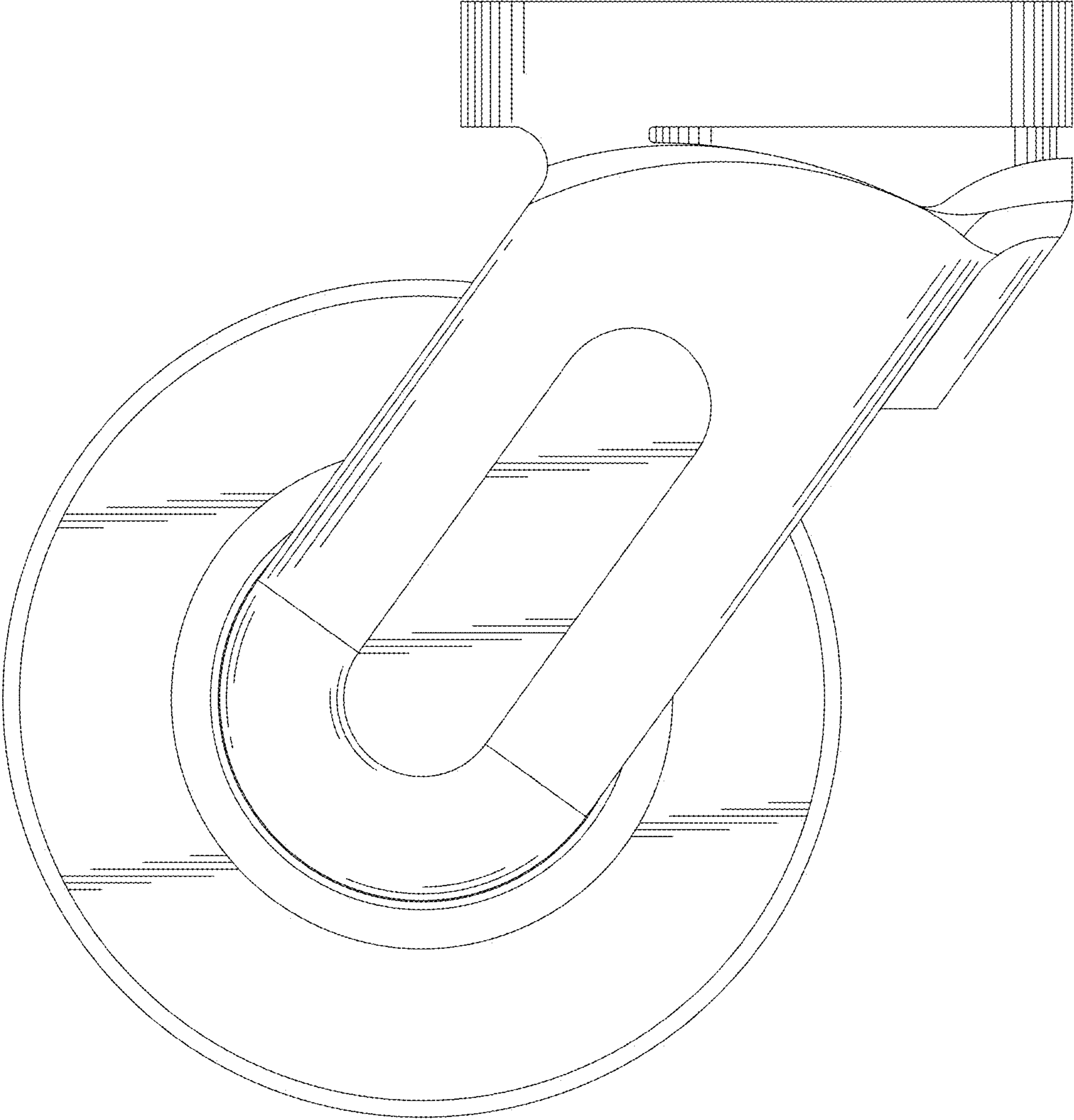


FIG. 3

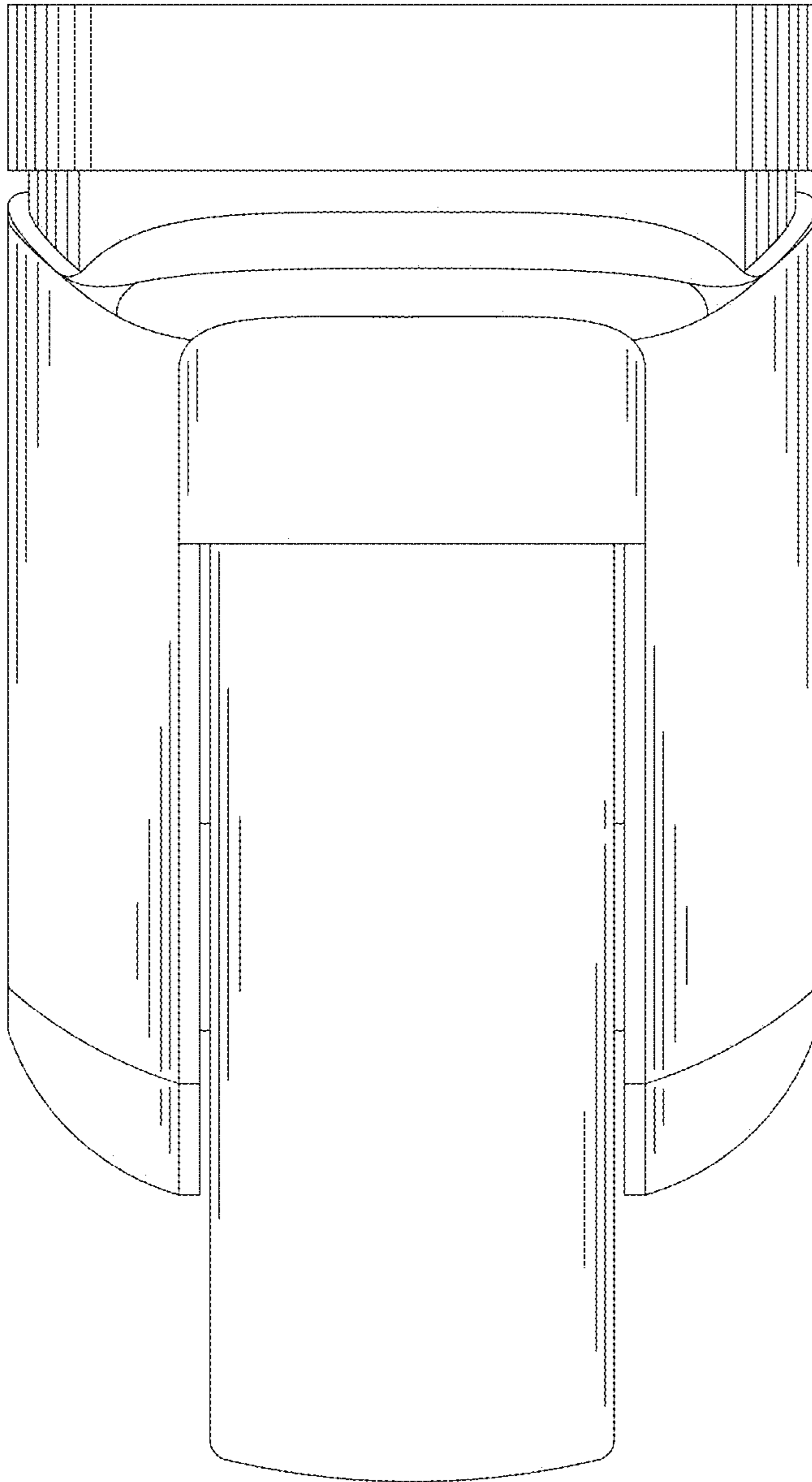


FIG. 4

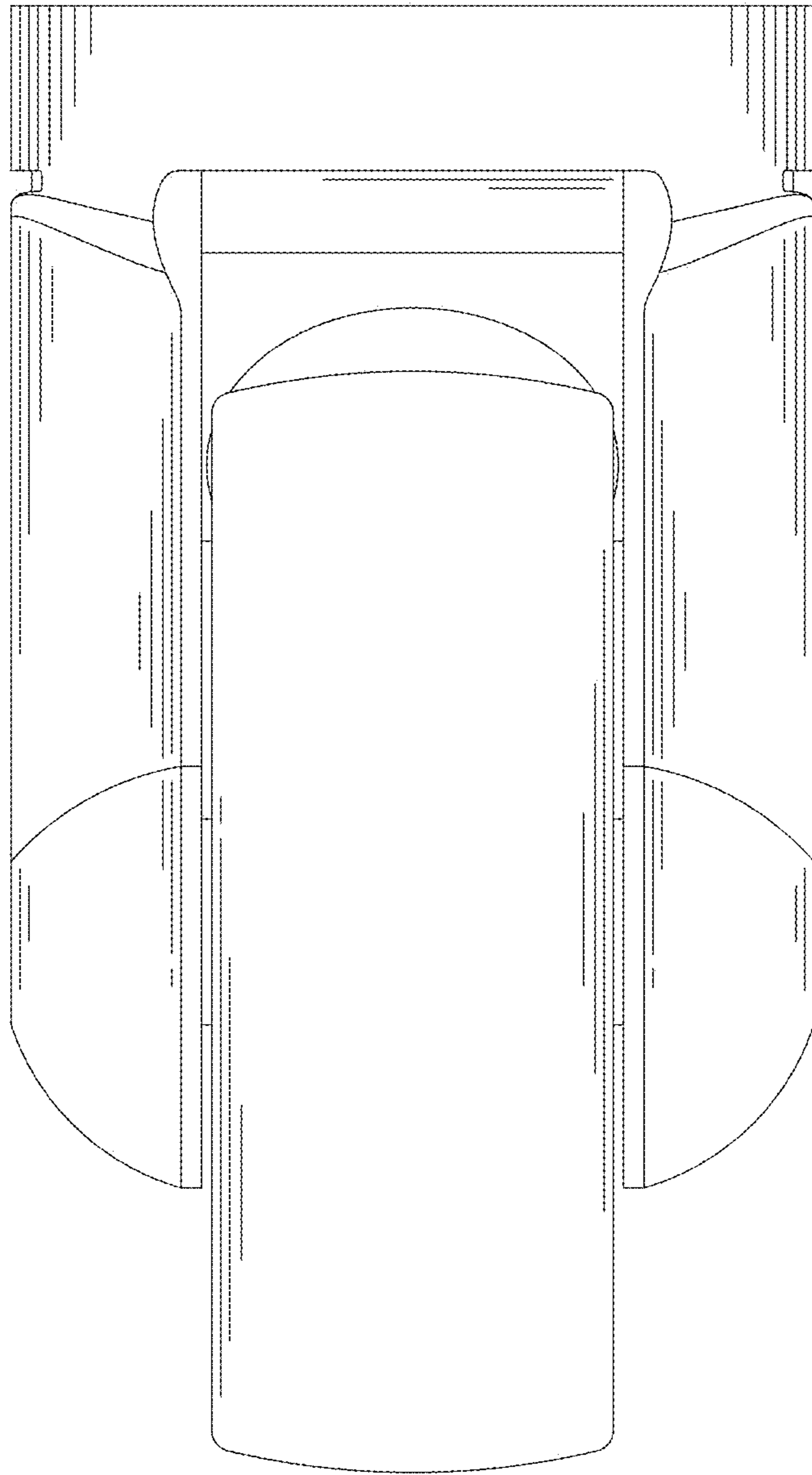


FIG. 5

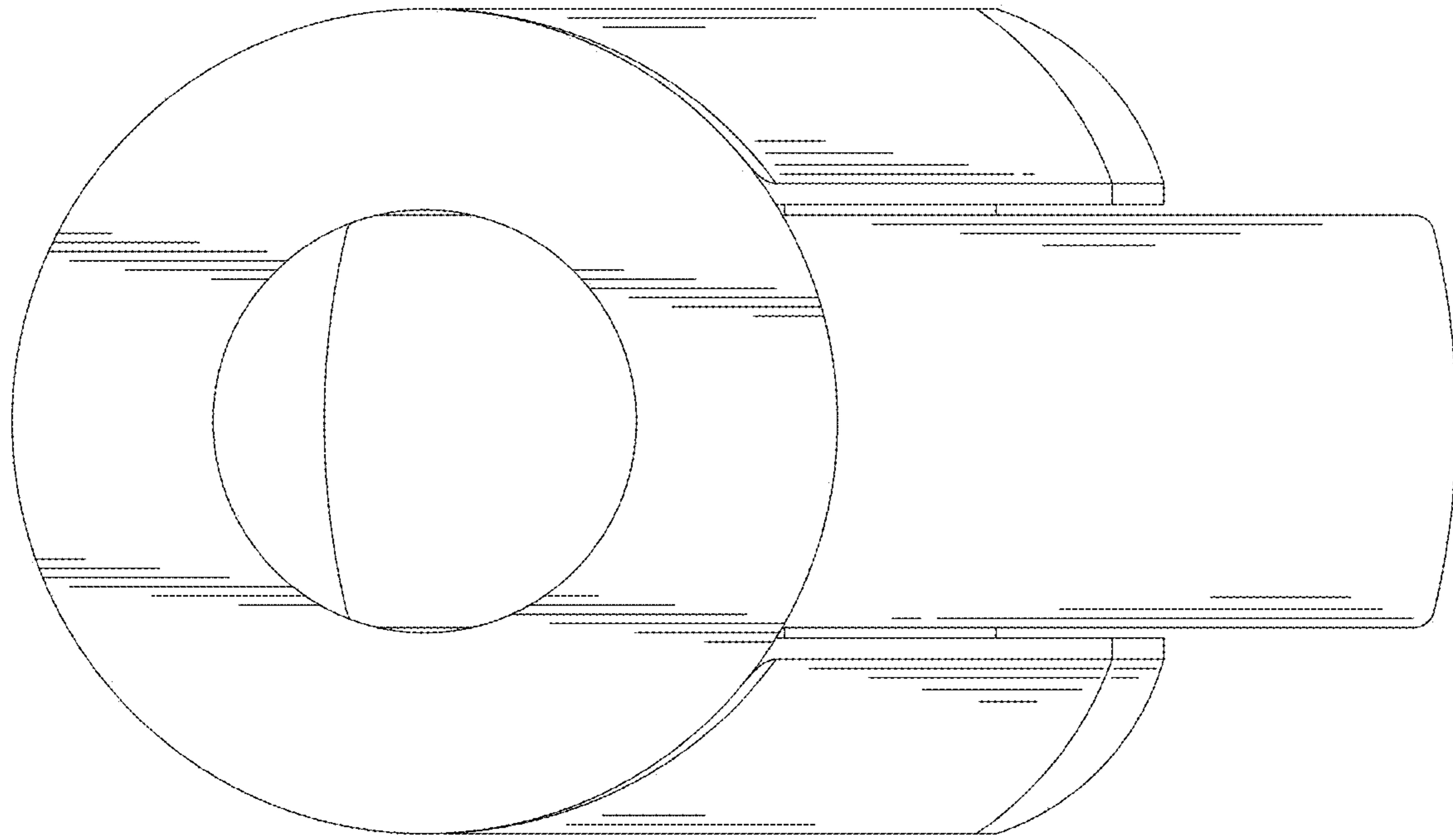


FIG. 6

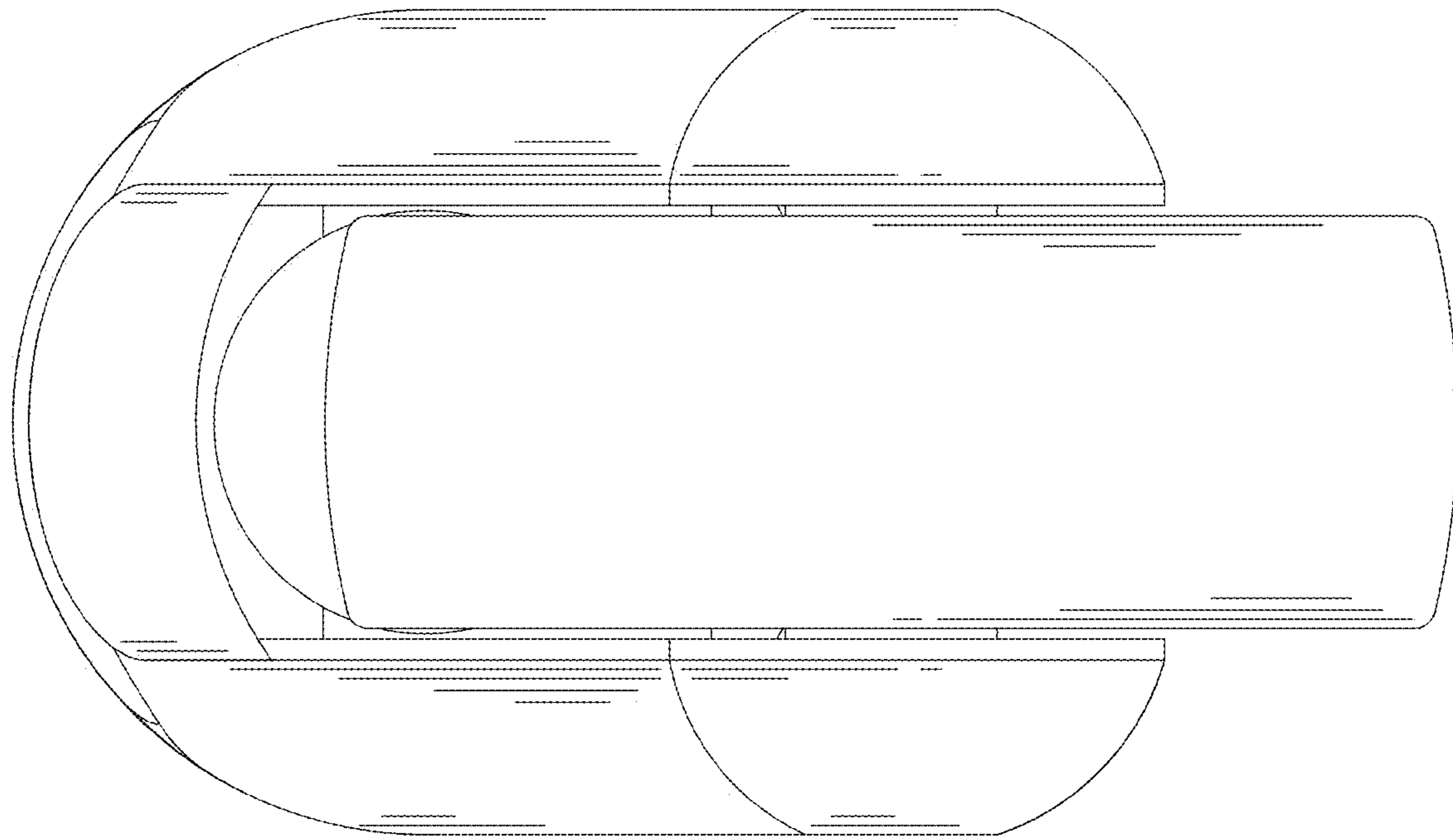


FIG. 7