



US00D897681S

(12) **United States Design Patent**
Wang

(10) **Patent No.:** **US D897,681 S**

(45) **Date of Patent:** **** Oct. 6, 2020**

(54) **STORAGE BASKET**

(71) Applicant: **Wei-Cheng Wang**, Taipei (TW)

(72) Inventor: **Wei-Cheng Wang**, Taipei (TW)

(**) Term: **15 Years**

(21) Appl. No.: **29/700,746**

(22) Filed: **Aug. 5, 2019**

(51) **LOC (12) Cl.** **03-01**

(52) **U.S. Cl.**
USPC **D3/304**

(58) **Field of Classification Search**
USPC D3/304, 314, 315; D7/601-602
CPC . A45C 11/00; B65D 1/00; B65D 1/22; B65D
1/38; B65D 11/02
See application file for complete search history.

(56) **References Cited**

U.S. PATENT DOCUMENTS

D309,059 S *	7/1990	Bledsoe	D12/425
D438,010 S *	2/2001	Drury	D3/307
D473,377 S *	4/2003	Chandaria	D3/304
D486,022 S *	2/2004	Shamoon	D6/553
D486,185 S *	2/2004	Sheldon	D19/86
D577,913 S *	10/2008	Thompson	D6/567
D583,562 S *	12/2008	Ghiorghie	D3/304
D594,229 S *	6/2009	Barkdoll	D3/304
D605,405 S *	12/2009	Bodum	D3/308

D661,919 S *	6/2012	Hester	D6/407
D711,665 S *	8/2014	Mattei	D6/567
D712,477 S *	9/2014	Stravitz	D19/90
D716,553 S *	11/2014	Wang	D3/307
D745,781 S *	12/2015	Hsu	D3/304
D773,217 S *	12/2016	Theisen	D6/683
D818,270 S *	5/2018	Yoshioka	D3/314
D833,865 S *	11/2018	Petty	D9/431
D860,780 S *	9/2019	Requena	D9/420
D880,160 S *	4/2020	Hsu	D3/304

* cited by examiner

Primary Examiner — Kelley A Donnelly

(74) *Attorney, Agent, or Firm* — Leong C. Lei

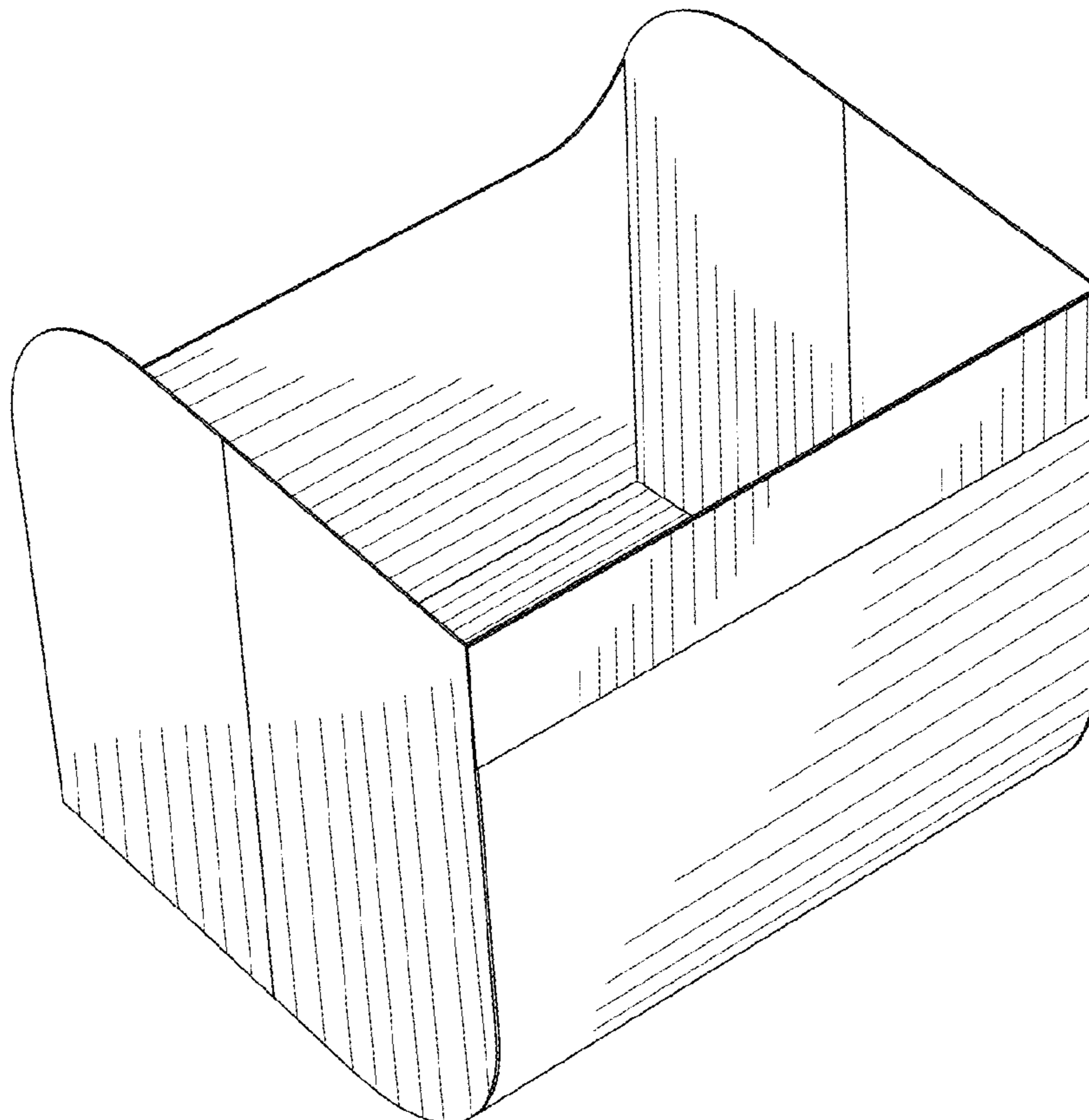
(57) **CLAIM**

The ornamental design for a storage basket, as shown and described.

DESCRIPTION

FIG. 1 is a front perspective view of a storage basket showing my new design; FIG. 2 is a front elevational view thereof; FIG. 3 is a rear elevational view thereof; FIG. 4 is a left elevational view thereof; FIG. 5 is a right elevational view thereof; FIG. 6 is a top plan view thereof; and, FIG. 7 is a bottom plan view thereof.

1 Claim, 7 Drawing Sheets



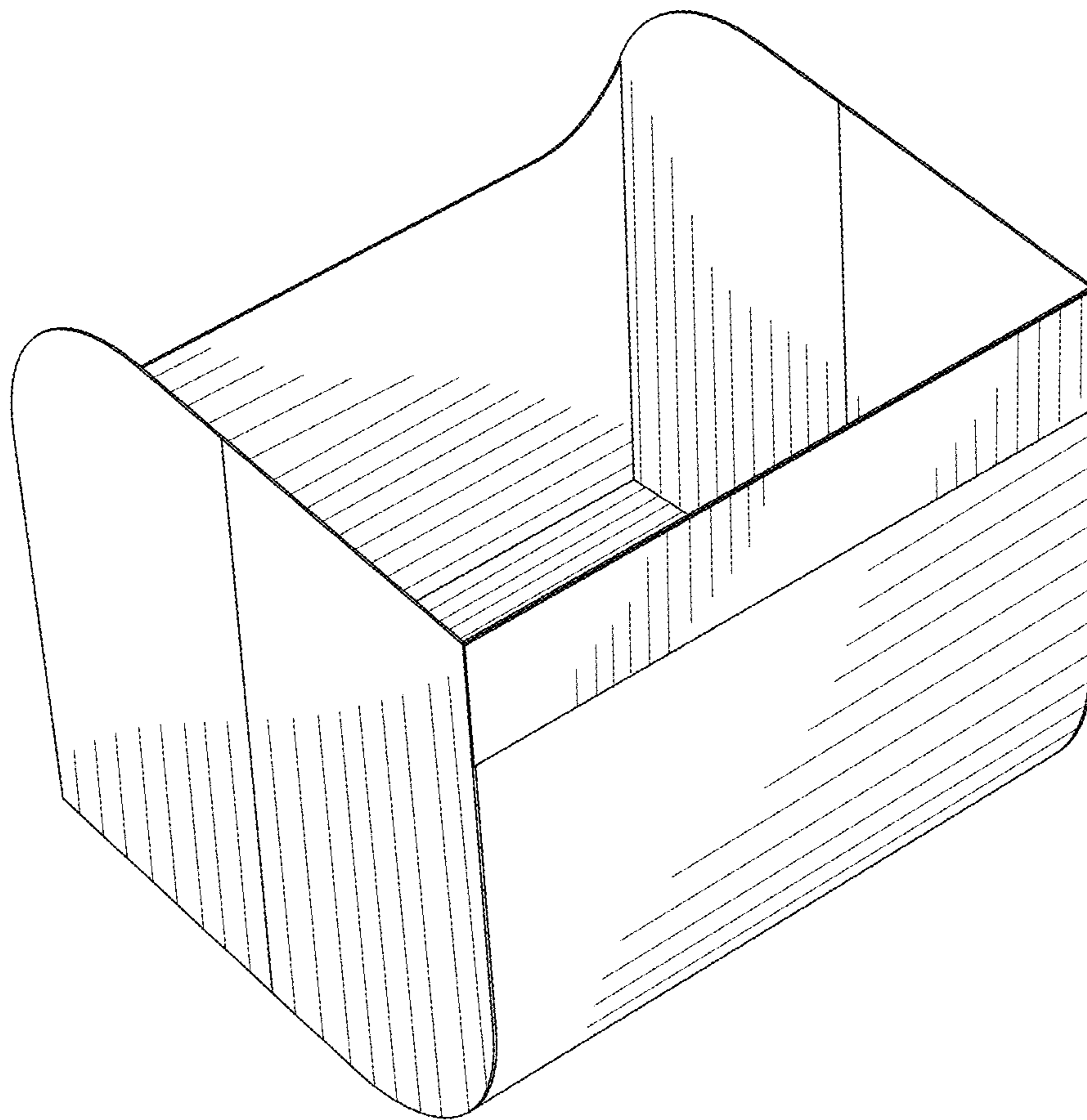


FIG. 1

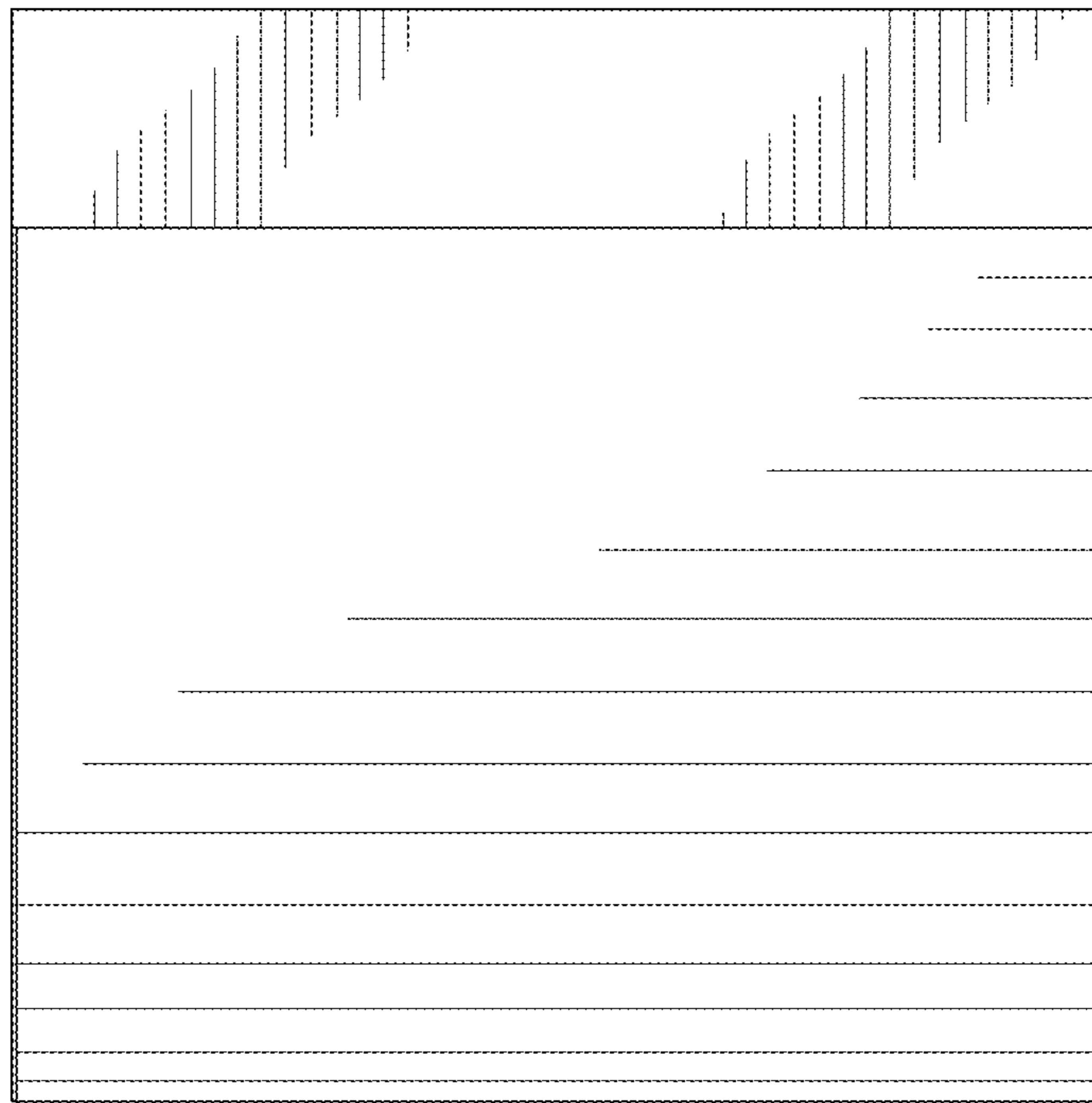


FIG. 2

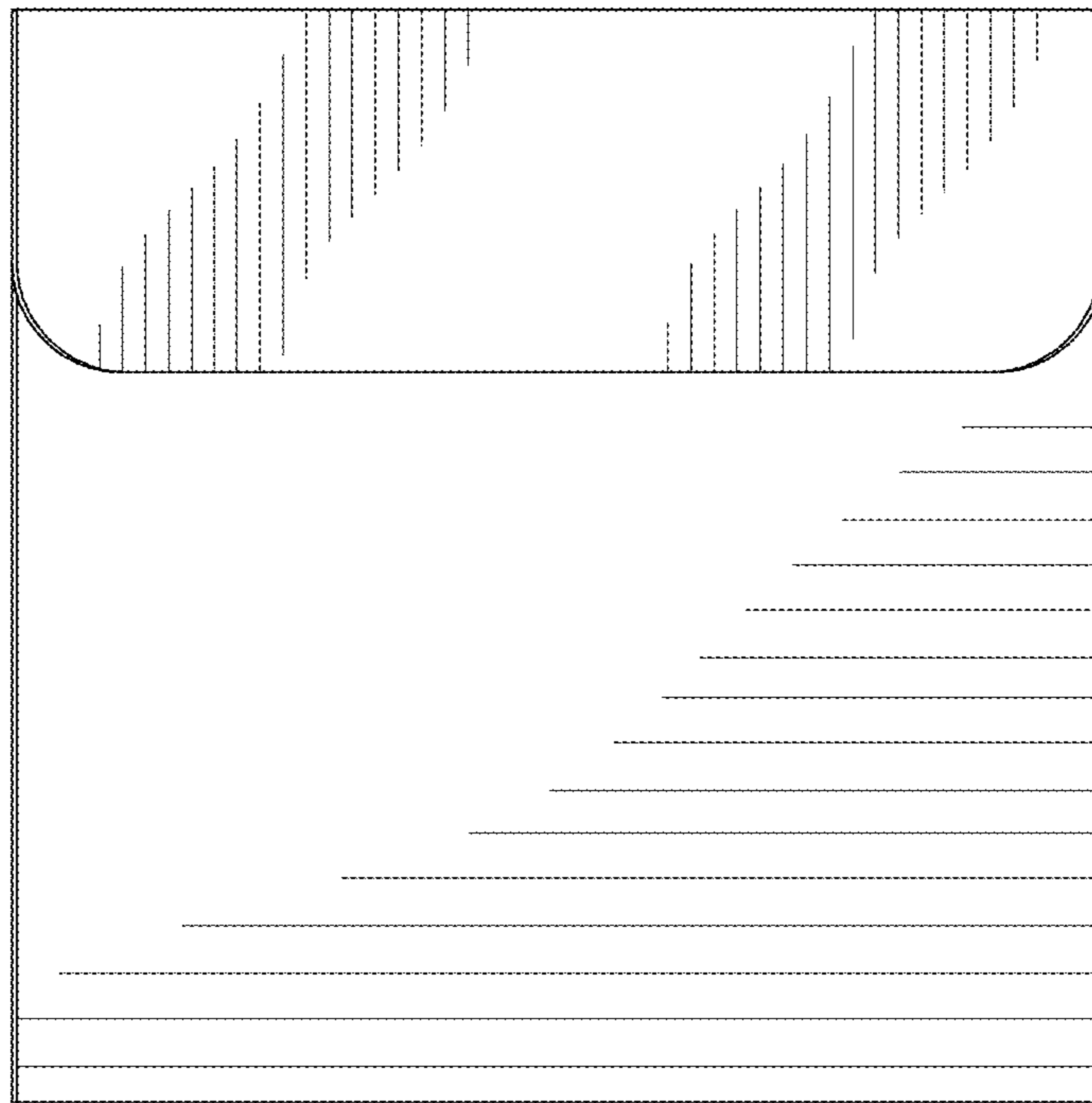


FIG. 3

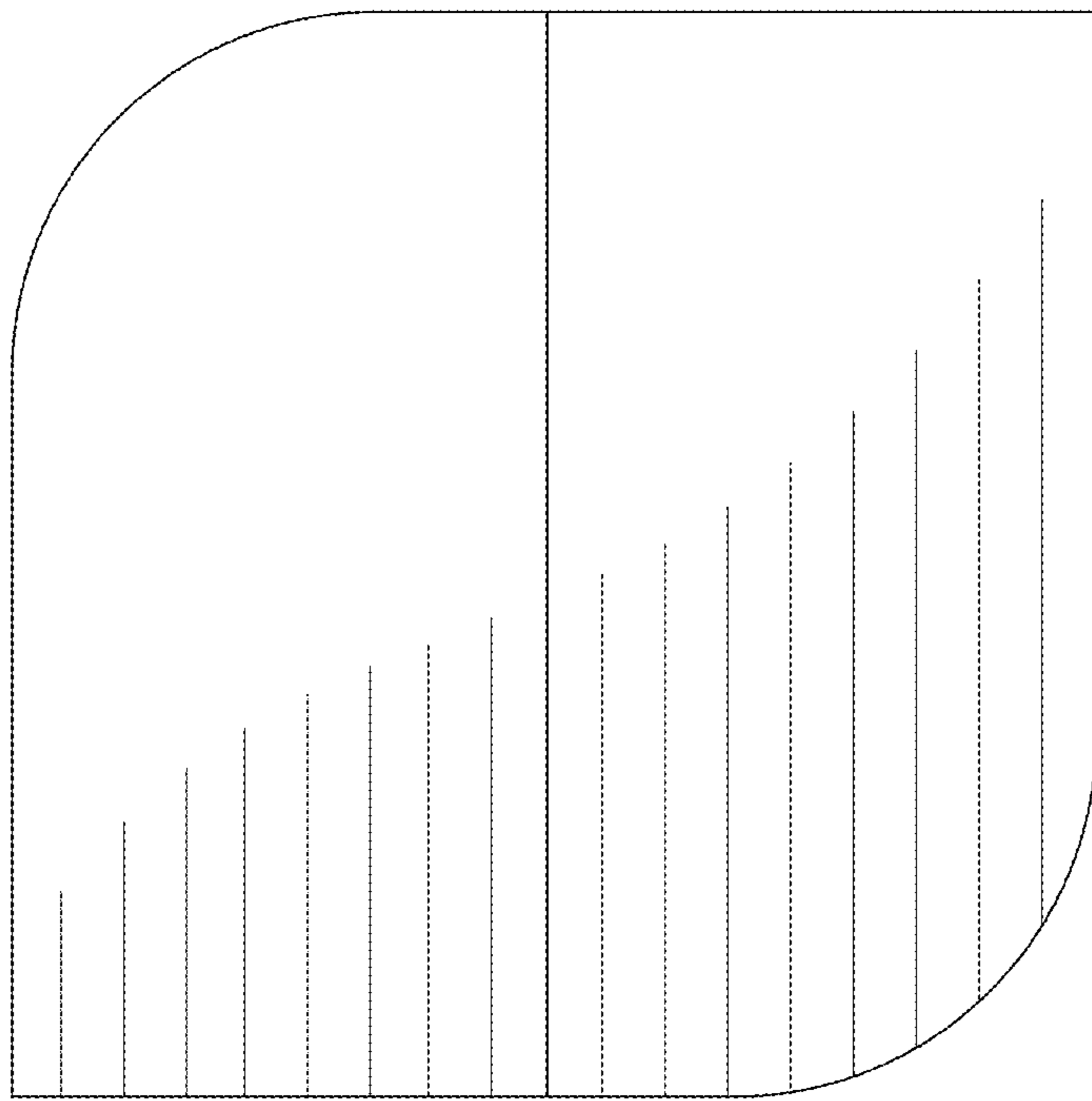


FIG. 4

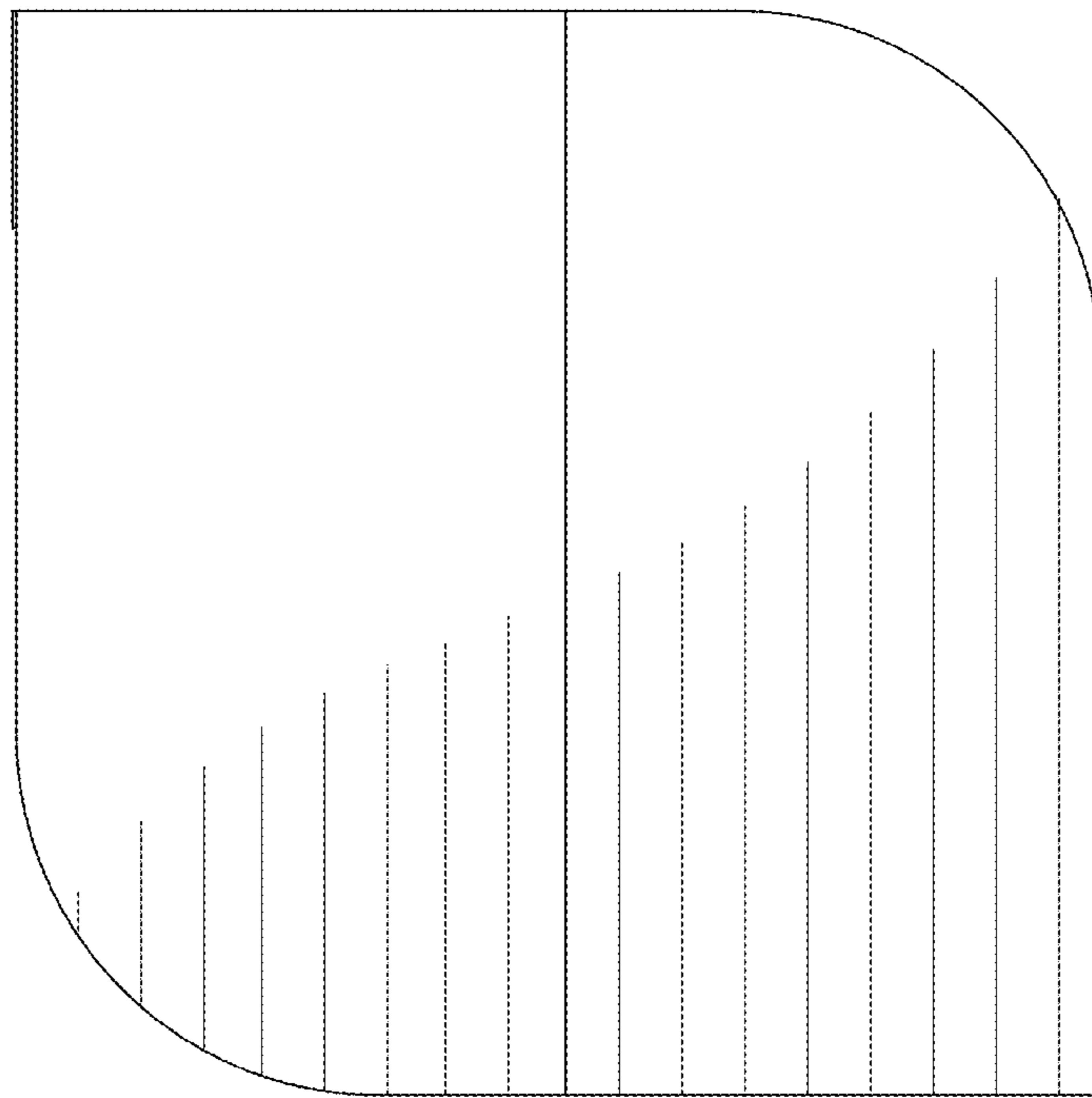


FIG. 5

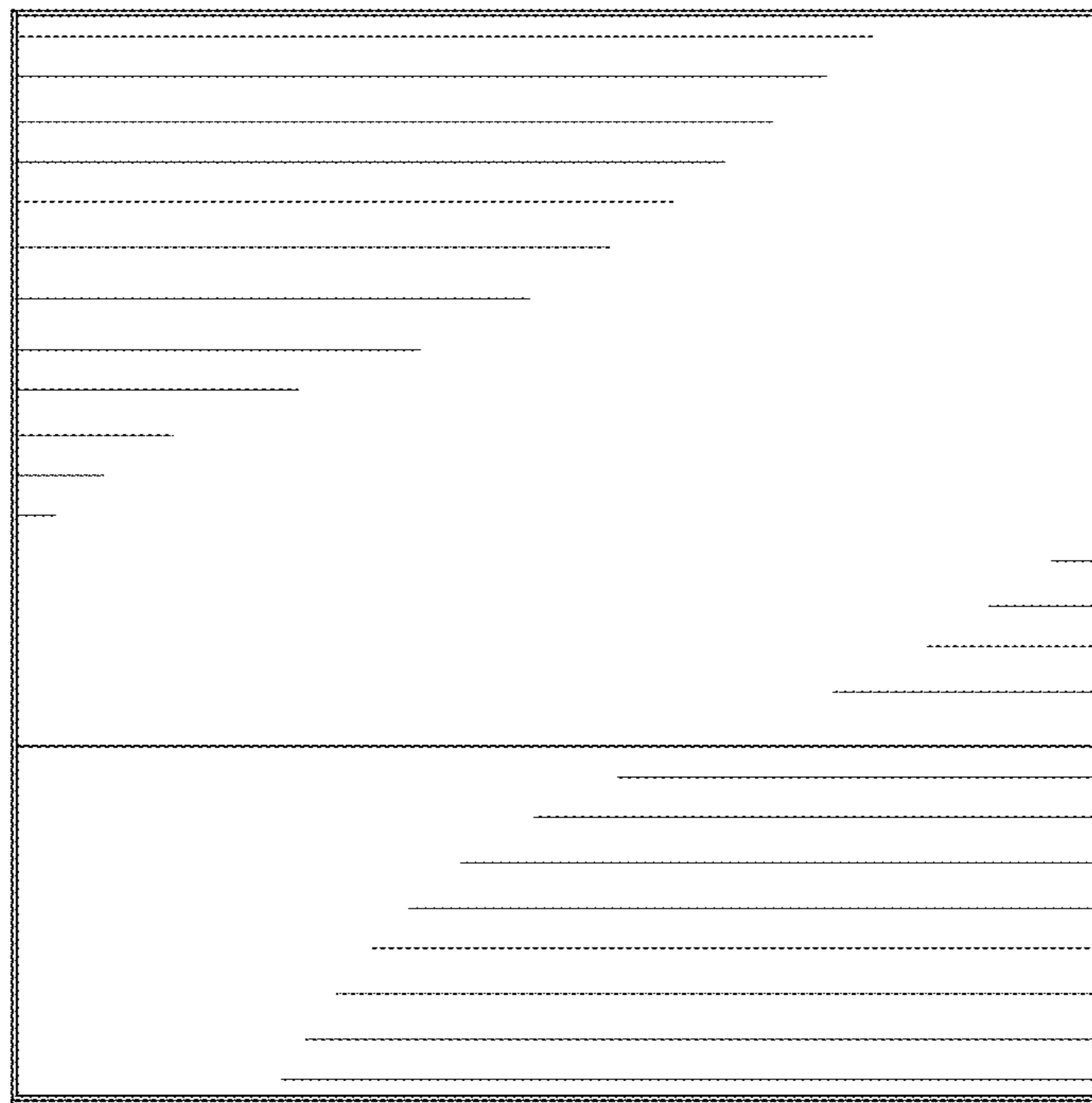


FIG. 6

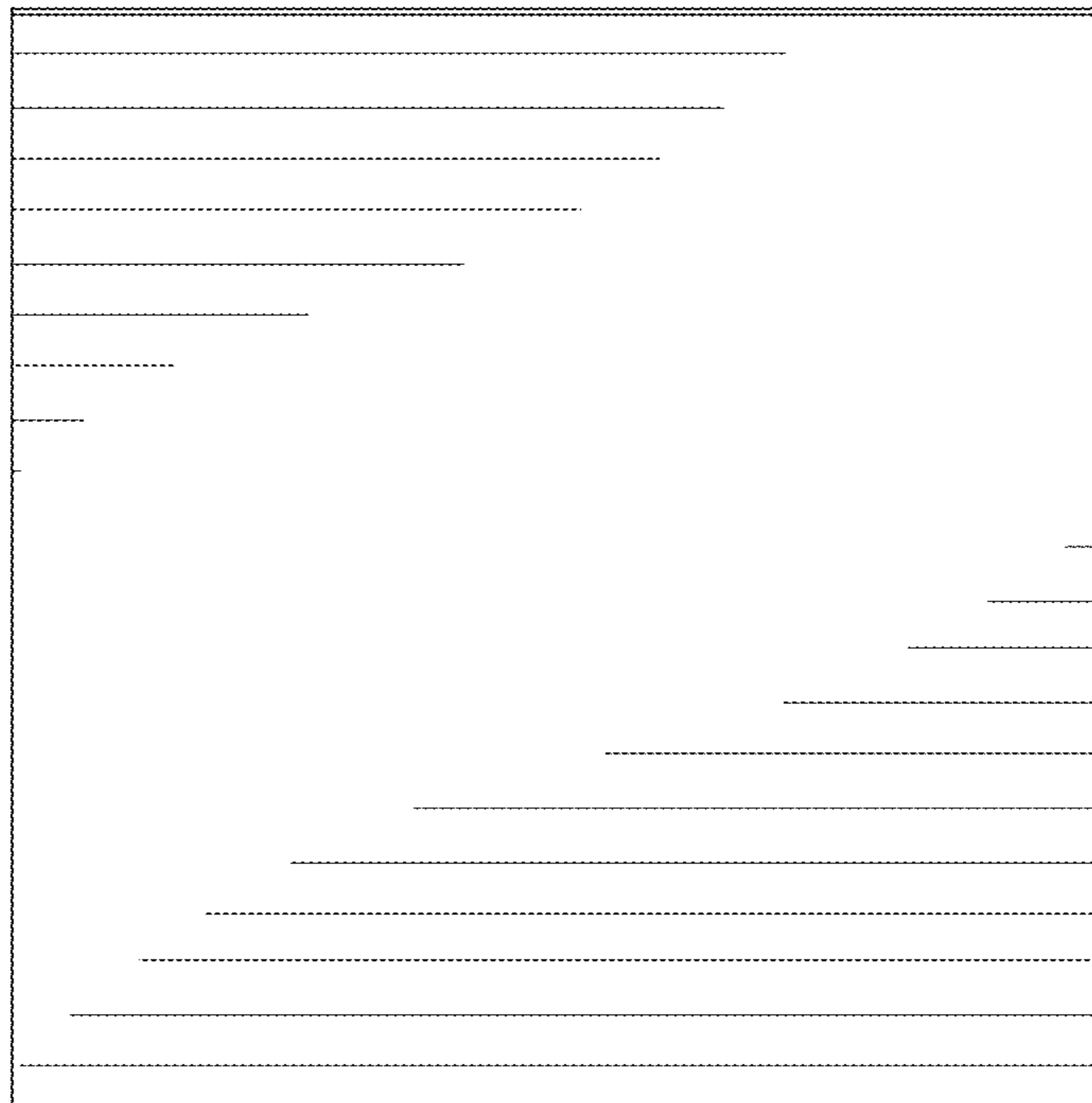


FIG. 7