

US00D897680S

(12) **United States Design Patent** (10) **Patent No.:** **US D897,680 S**
Foley et al. (45) **Date of Patent:** **** Oct. 6, 2020**

(54) **CART TUB**
(71) Applicant: **Tricam Industries, Inc.**, Eden Prairie, MN (US)
(72) Inventors: **Joseph P. Foley**, St. Paul, MN (US); **Benjamin P. Williams**, Chaska, MN (US); **Benjamin M. Wernberg**, Savage, MN (US); **Dennis D. Simpson**, Plymouth, MN (US)

7,175,205 B2 2/2007 Simpson
D544,173 S * 6/2007 Mullen D34/16
7,390,065 B2 6/2008 Pieschel et al.
D574,121 S * 7/2008 Song D34/16
7,441,792 B2 10/2008 Simpson
D606,565 S * 12/2009 Hickenbottom D15/17
7,818,865 B2 10/2010 Pieschel et al.
7,887,141 B2 2/2011 Pieschel et al.
D687,614 S 8/2013 Simpson et al.
D752,834 S * 3/2016 Wyse D34/12
D752,836 S * 3/2016 Wyse D34/16
D754,414 S * 4/2016 Lear D34/16

(73) Assignee: **Tricam Industries, Inc.**, Eden Prairie, MN (US)

(Continued)

(**) Term: **15 Years**

FOREIGN PATENT DOCUMENTS

(21) Appl. No.: **29/683,430**

CA 2 503 869 A1 10/2006
CA 2 590 949 A1 5/2007
CN 101208232 A 6/2008

(22) Filed: **Mar. 13, 2019**

Primary Examiner — Kevin K Rudzinski

(51) **LOC (12) Cl.** **09-04**

Assistant Examiner — Amber J Rabie

(52) **U.S. Cl.**
USPC **D3/304**

(74) *Attorney, Agent, or Firm* — Patterson Thuent Pedersen, P.A.

(58) **Field of Classification Search**
USPC D3/208, 226, 304–315, 905; D6/512, D6/525, 672, 675; D8/71; D32/37; D34/16
CPC ... B65D 5/46072; B65D 81/3813; B65D 1/00
See application file for complete search history.

(57) **CLAIM**

We claim the ornamental design for a cart tub, as shown and described.

DESCRIPTION

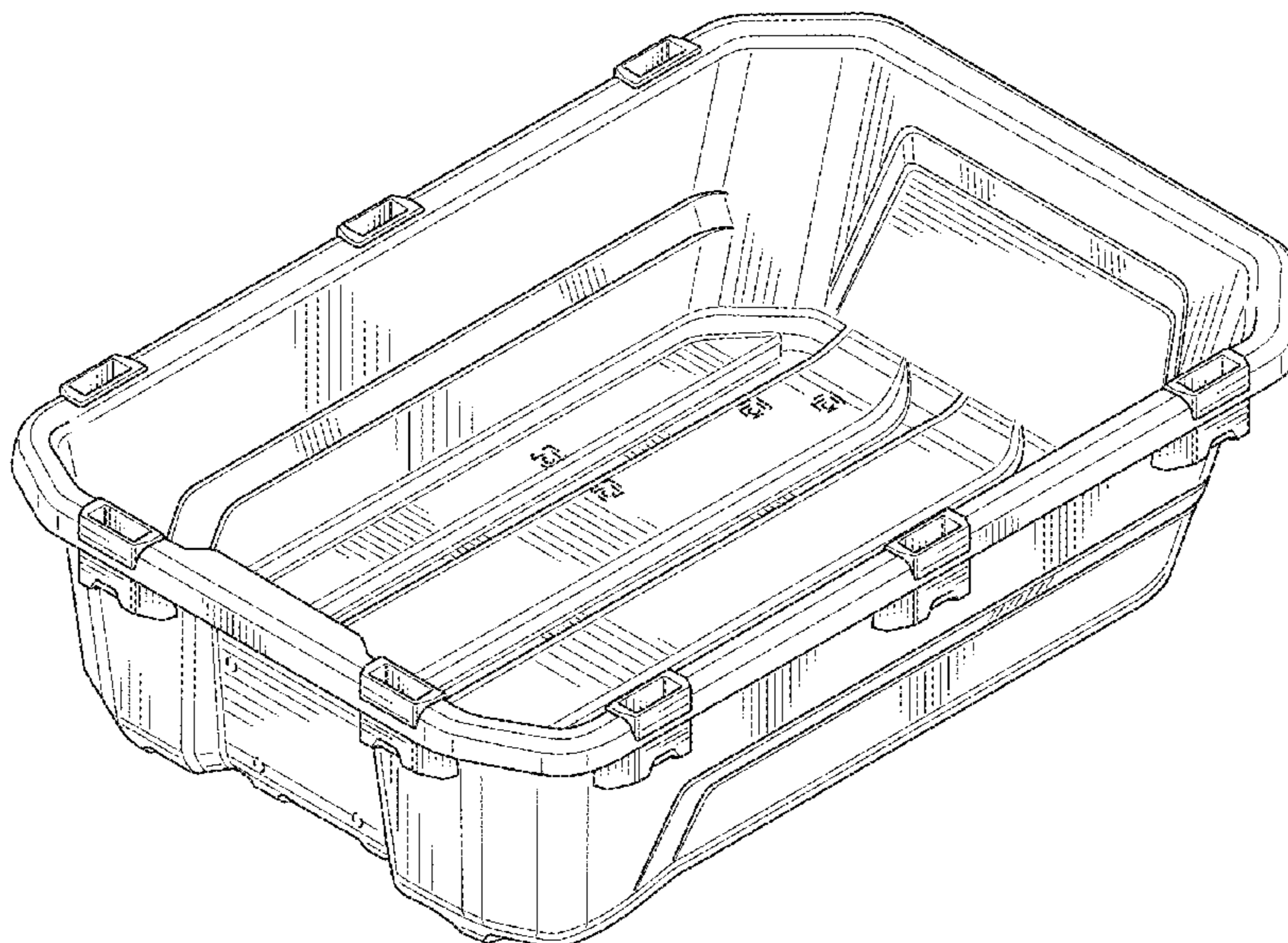
(56) **References Cited**

U.S. PATENT DOCUMENTS

D258,721 S * 3/1981 Steeg D3/307
4,457,546 A * 7/1984 Wiant B62D 63/062
280/47.12
D277,797 S * 2/1985 Chabot D3/307
5,395,163 A * 3/1995 Mandell B60P 1/283
298/2
D465,631 S * 11/2002 Brant D34/16
D487,325 S * 3/2004 Nelsen D34/16
6,851,756 B2 2/2005 Pieschel
6,962,370 B2 11/2005 Simpson

FIG. 1 is a perspective view of a cart tub showing our new design;
FIG. 2 is a top view thereof;
FIG. 3 is bottom view thereof;
FIG. 4 is a right side elevational view thereof;
FIG. 5 is a left side elevational view thereof;
FIG. 6 is a rear elevational view thereof; and,
FIG. 7 is a front elevational view thereof.
The broken lines shown in the figures define the bounds of the claimed design and form no part of the claimed design.

1 Claim, 5 Drawing Sheets



(56)

References Cited

U.S. PATENT DOCUMENTS

D819,917 S	6/2018	Simpson et al.	
D826,507 S	8/2018	Wernberg et al.	
D876,744 S *	2/2020	Wernberg	B60P 1/283 D34/16

* cited by examiner

FIG. 1

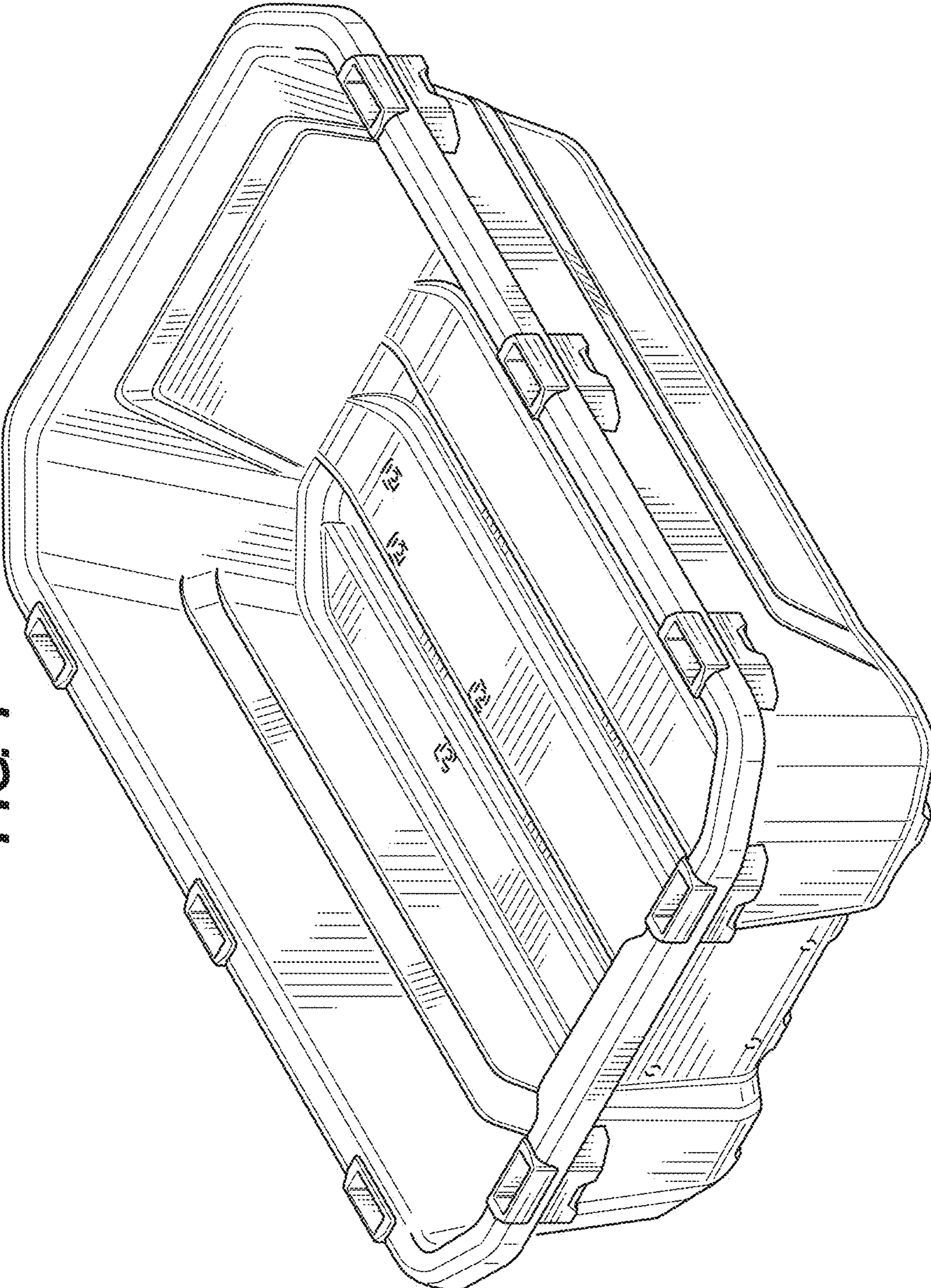


FIG. 2

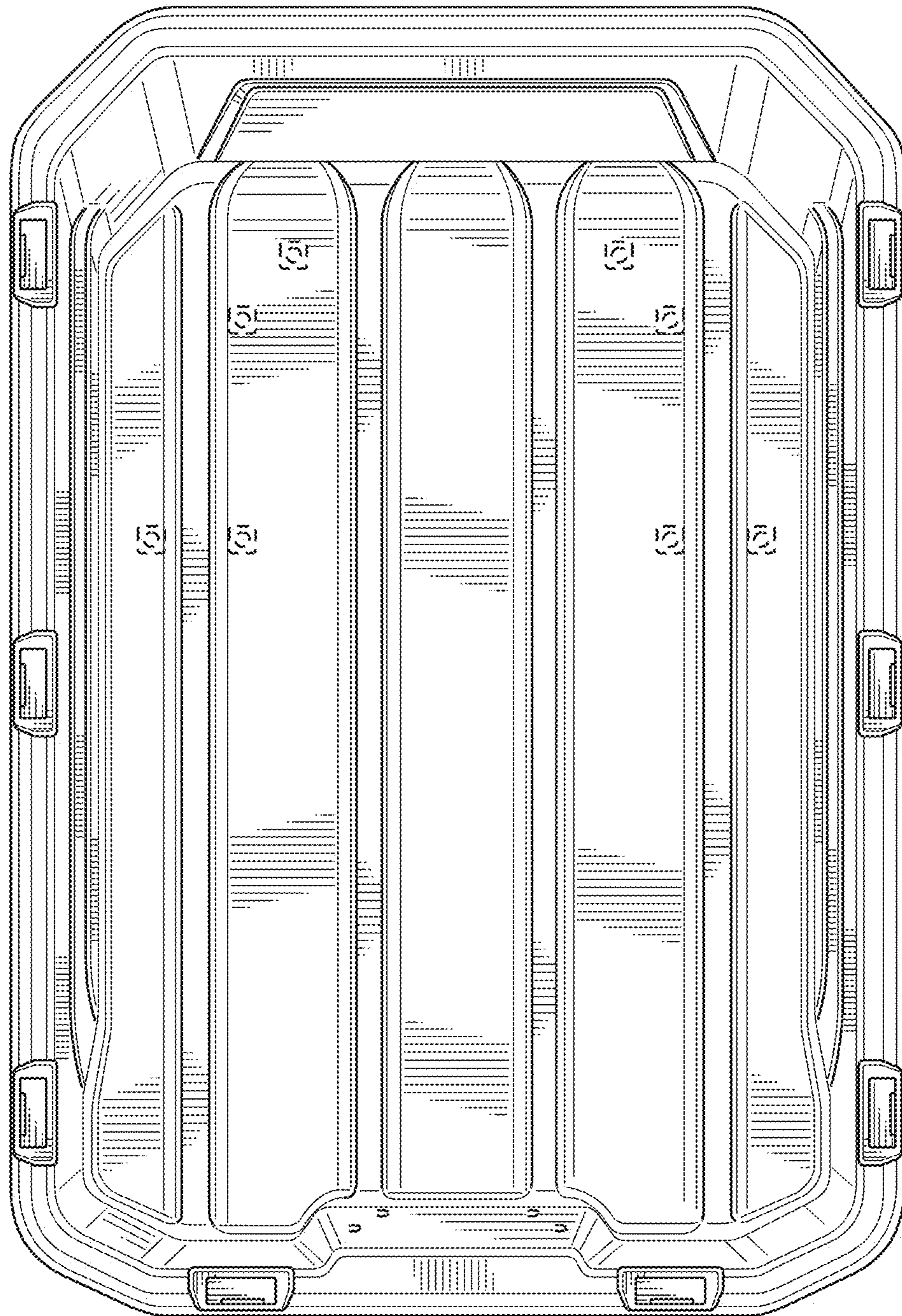


FIG. 3

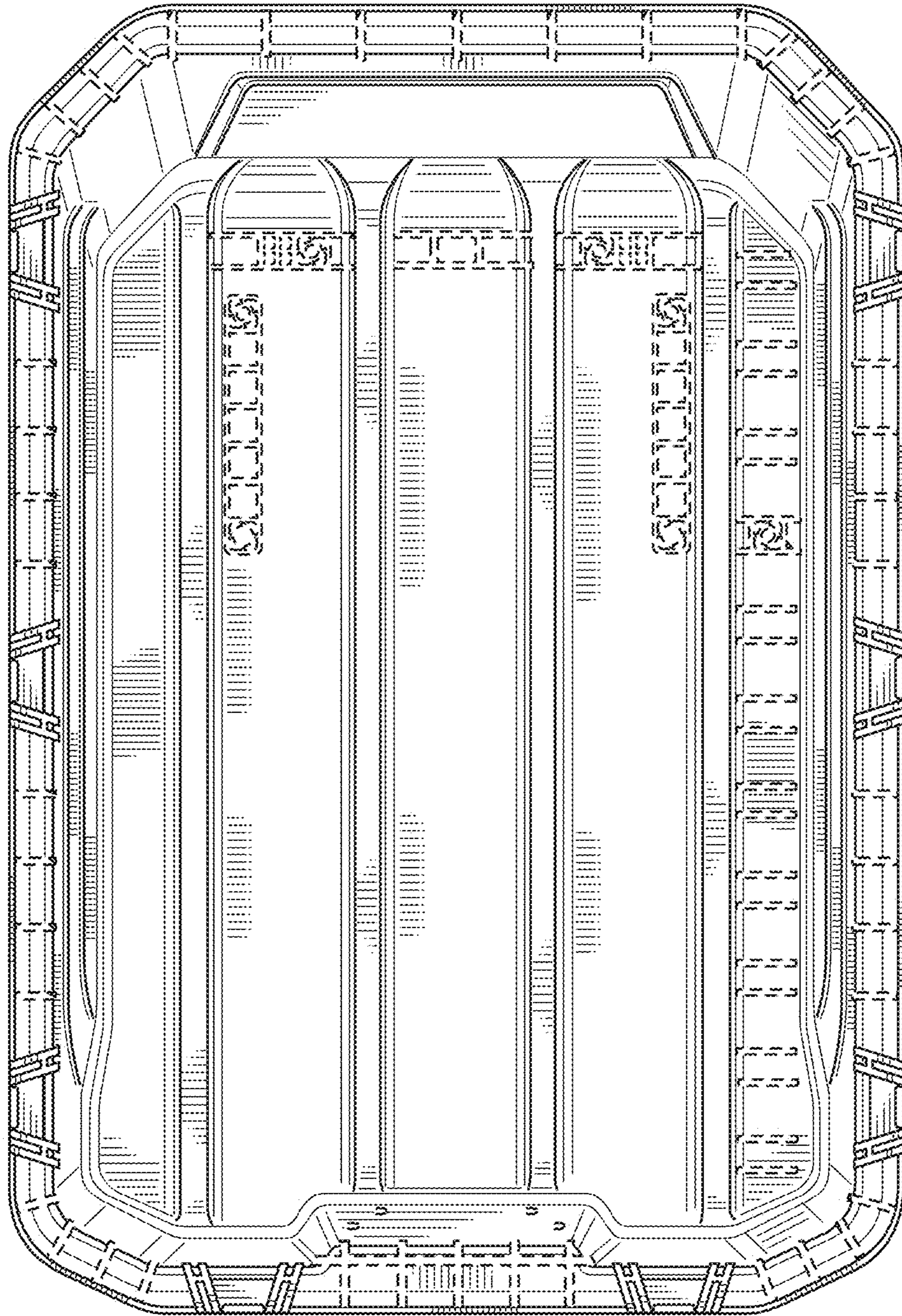


FIG. 4

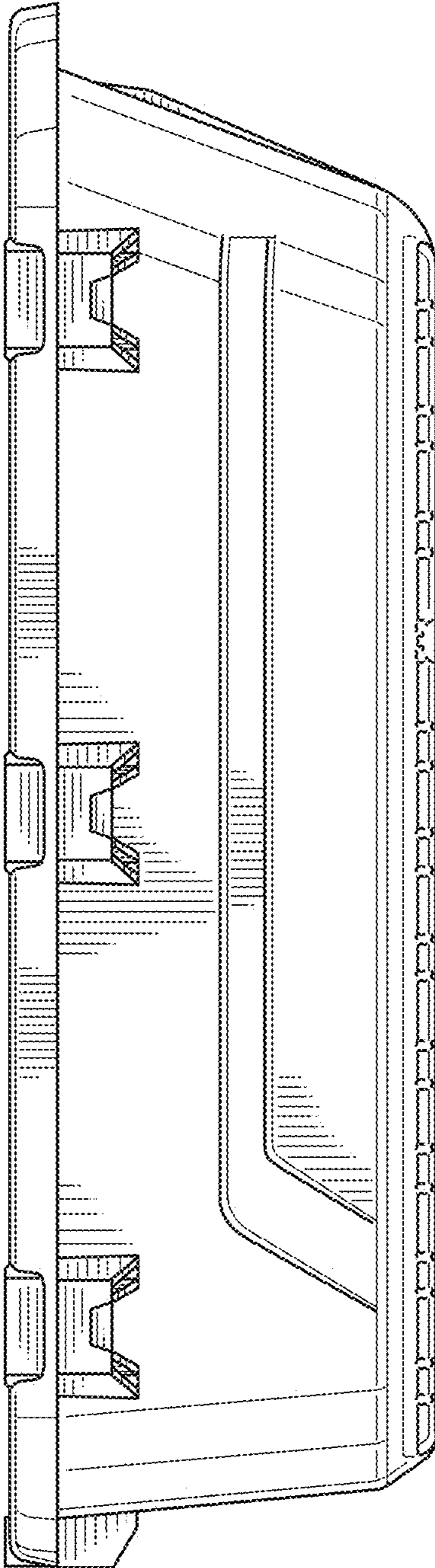


FIG. 5

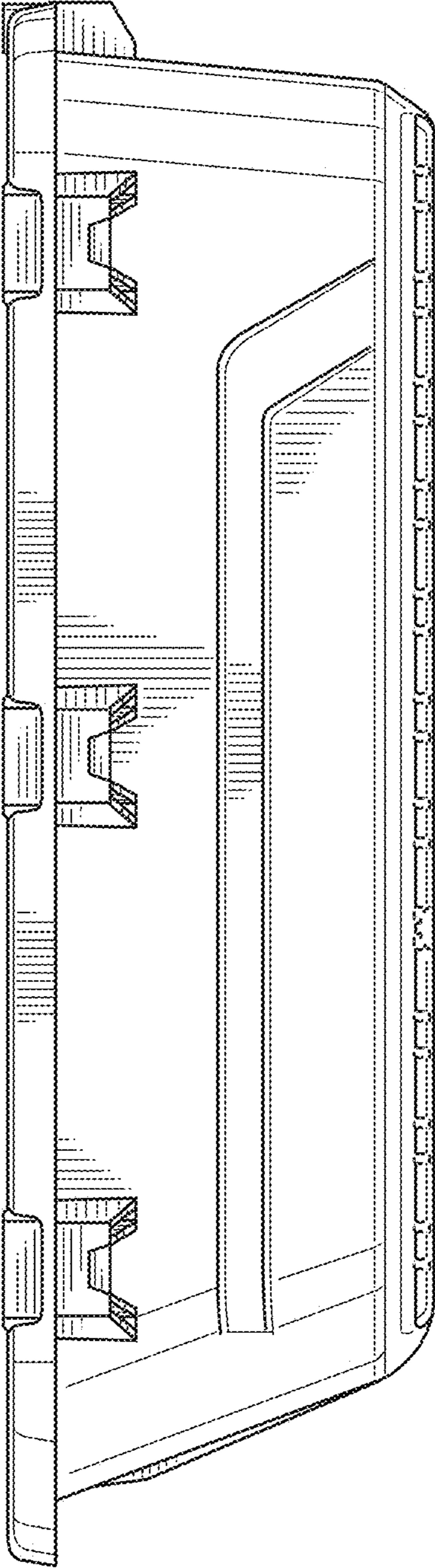


FIG. 6

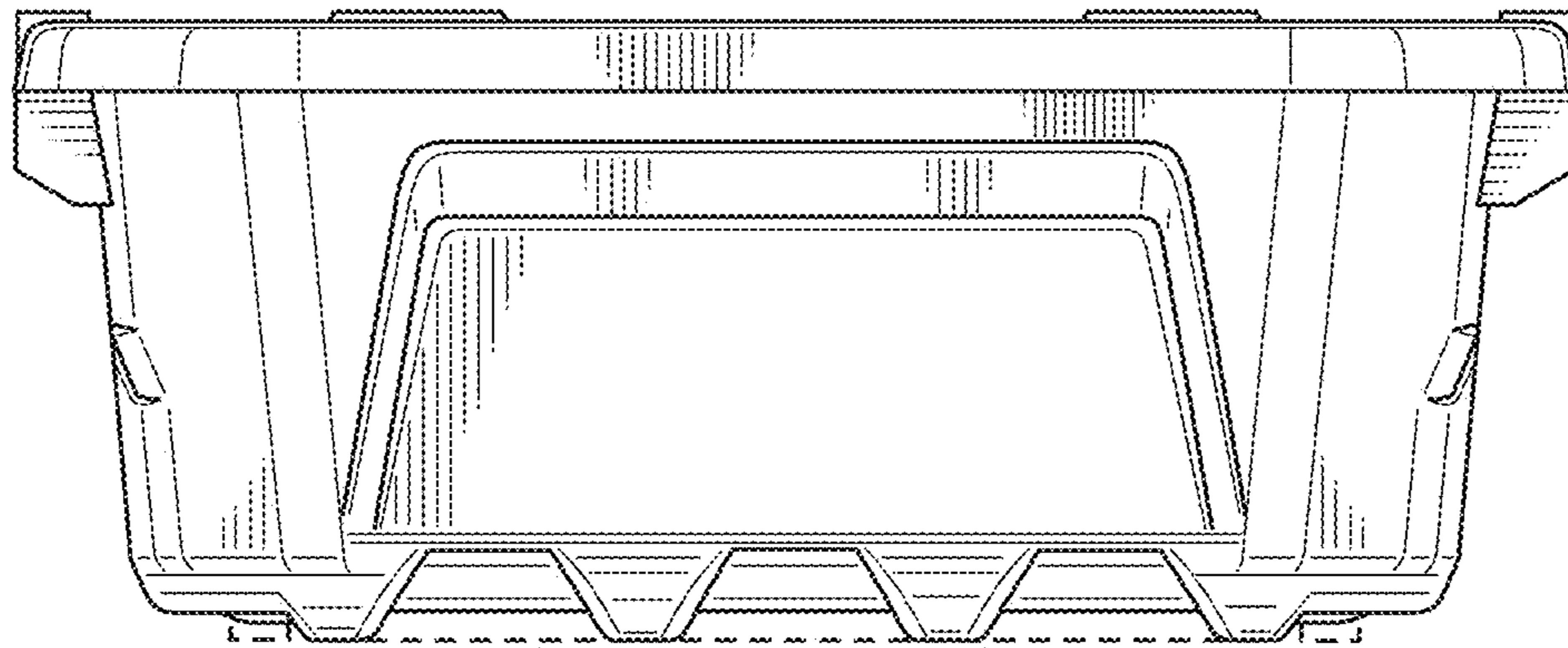


FIG. 7

