



US00D897678S

(12) **United States Design Patent** (10) **Patent No.:** **US D897,678 S**  
**Koh** (45) **Date of Patent:** **\*\* Oct. 6, 2020**

(54) **EARPHONE CASE**

(71) Applicants: **NAVER Corporation**, Seongnam-si, Gyeonggi-do (KR); **LINE Corporation**, Shinjuku-Ku, Tokyo (JP)

(72) Inventor: **Young In Koh**, Seongnam-si (KR)

(73) Assignees: **LINE Corporation**, Tokyo (JP); **NAVER Corporation**, Gyeonggi-do (KR)

(\*\*) Term: **15 Years**

(21) Appl. No.: **29/679,446**

(22) Filed: **Feb. 6, 2019**

(30) **Foreign Application Priority Data**

Aug. 9, 2018 (KR) ..... 30-2018-0037005

(51) **LOC (12) Cl.** ..... **03-01**

(52) **U.S. Cl.**  
USPC ..... **D3/294**

(58) **Field of Classification Search**  
USPC ..... D3/201, 203.1, 203.2, 273, 274, 284, D3/285, 291, 289, 302, 276, 294, 295,  
(Continued)

(56) **References Cited**

**U.S. PATENT DOCUMENTS**

D548,970 S \* 8/2007 Huang ..... D3/294  
D553,077 S \* 10/2007 Kim ..... D13/108  
(Continued)

**FOREIGN PATENT DOCUMENTS**

JP 1608115 S 7/2018

**OTHER PUBLICATIONS**

A Geek's Perspective Blog, "The Winner of the 2018 CES and it ain't a Robotic Dog", Posted Jan. 14, 2018. (<http://thecaffeinatedgeek.com/?p=1369>) (Year: 2018).\*

(Continued)

*Primary Examiner* — April Rivas

(74) *Attorney, Agent, or Firm* — Harness, Dickey & Pierce, P.L.C.

(57) **CLAIM**

The ornamental design for an earphone case, as shown and described.

**DESCRIPTION**

FIG. 1 is a top front perspective view of an earphone case in a closed position.

FIG. 2 is a front side view of the earphone case shown in FIG. 1.

FIG. 3 is a rear side view of the earphone case shown in FIG. 1.

FIG. 4 is a left side view of the earphone case shown in FIG. 1.

FIG. 5 is a right side view of the earphone case shown in FIG. 1.

FIG. 6 is a top plan view of the earphone case shown in FIG. 1.

FIG. 7 is a bottom plan view of the earphone case shown in FIG. 1.

FIG. 8 is a top front perspective view of an earphone case in an open position.

FIG. 9 is a front side view of the earphone case shown in FIG. 8.

FIG. 10 is a rear side view of the earphone case shown in FIG. 8.

FIG. 11 is a left side view of the earphone case shown in FIG. 8.

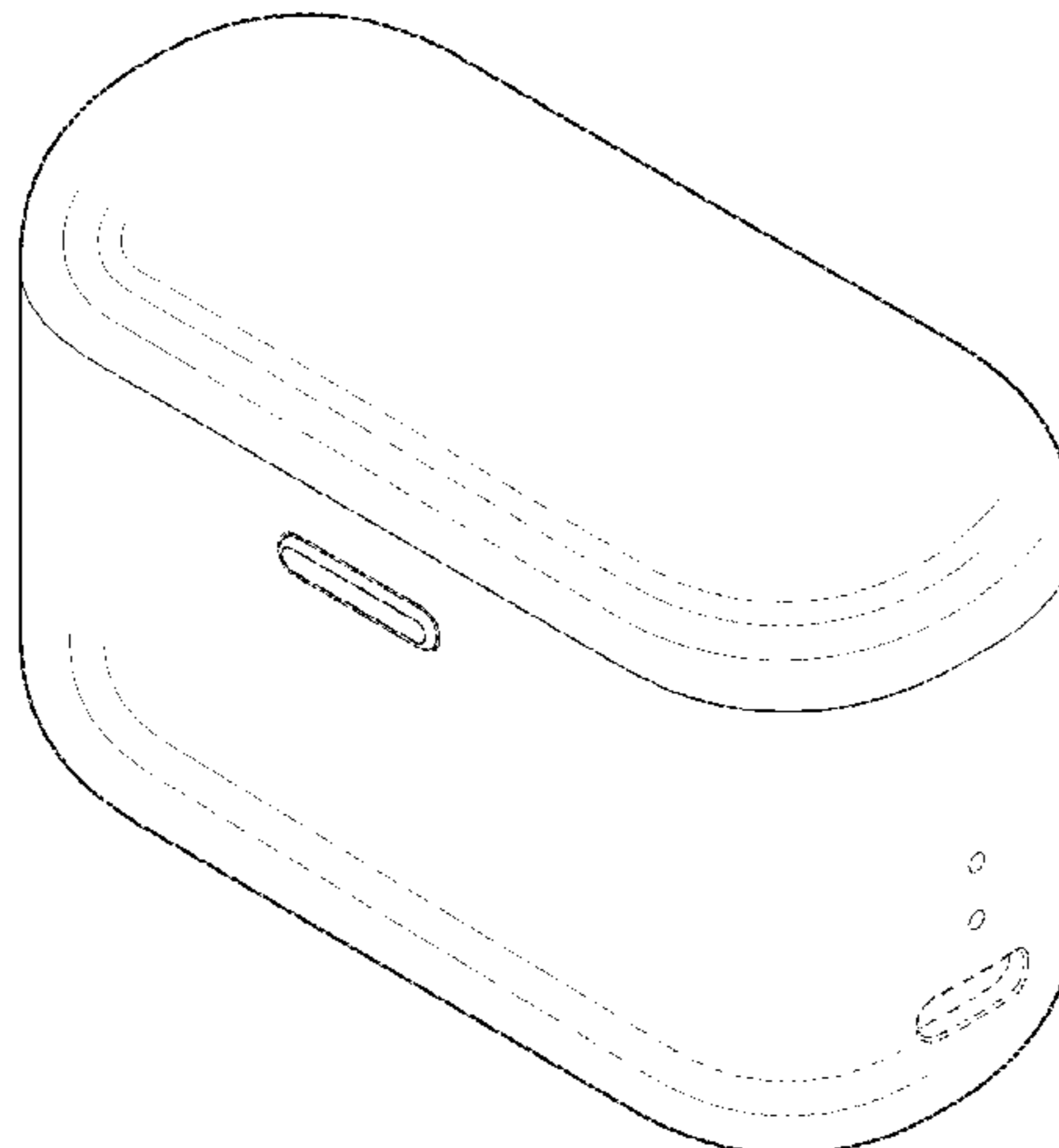
FIG. 12 is a right side view of the earphone case shown in FIG. 8.

FIG. 13 is a top plan view of the earphone case shown in FIG. 8.

FIG. 14 is a bottom plan view of the earphone case shown in FIG. 8; and,

FIG. 15 is a top front perspective view thereof taken in an environment in which the earphone case may be used.

(Continued)



The broken line earbuds in FIG. 15 illustrate environment. The remaining broken lines illustrate portions of the ear-phone case. None of the broken lines form part of the claimed design.

**1 Claim, 11 Drawing Sheets**

(58) **Field of Classification Search**

USPC ..... D3/298, 318, 901, 902, 903, 270;  
D27/189, 190, 191; D28/82, 7; D13/108

CPC ... A45C 5/00; A45C 2011/001; A45C 13/002;  
A45C 5/08; A45C 11/00; H04R 1/1025;  
H04R 1/1033

See application file for complete search history.

(56) **References Cited**

U.S. PATENT DOCUMENTS

D772,572 S \* 11/2016 Palmberg et al. .... D3/201  
D817,640 S \* 5/2018 Dang ..... D3/294

D818,268 S \* 5/2018 Akana ..... D3/294  
D823,246 S \* 7/2018 Lin ..... D13/108  
D826,152 S \* 8/2018 Christiansen ..... D13/108  
D838,480 S \* 1/2019 Son ..... D3/294  
D841,580 S \* 2/2019 Bao ..... D13/108  
D843,937 S \* 3/2019 Xiao ..... D13/108  
D846,264 S \* 4/2019 Wu ..... D3/201  
D864,110 S \* 10/2019 Yoshimura ..... D13/108  
D870,451 S \* 12/2019 Birger ..... D3/201  
D873,217 S \* 1/2020 Zhang ..... D13/108

OTHER PUBLICATIONS

Amazon, "ELECDER D10 True Wireless Earbuds Bluetooth 5.0 . . .", First on sale May 31, 2019. (<https://www.amazon.com/ELECDER-D10-Headphones-Microphone-Waterproof/dp/B07XKXZNZX/>) (Year: 2019).\*

Notice of Allowance dated Jul. 2, 2010, issued in corresponding Japanese Application No. 2019-002245.

\* cited by examiner

FIG. 1

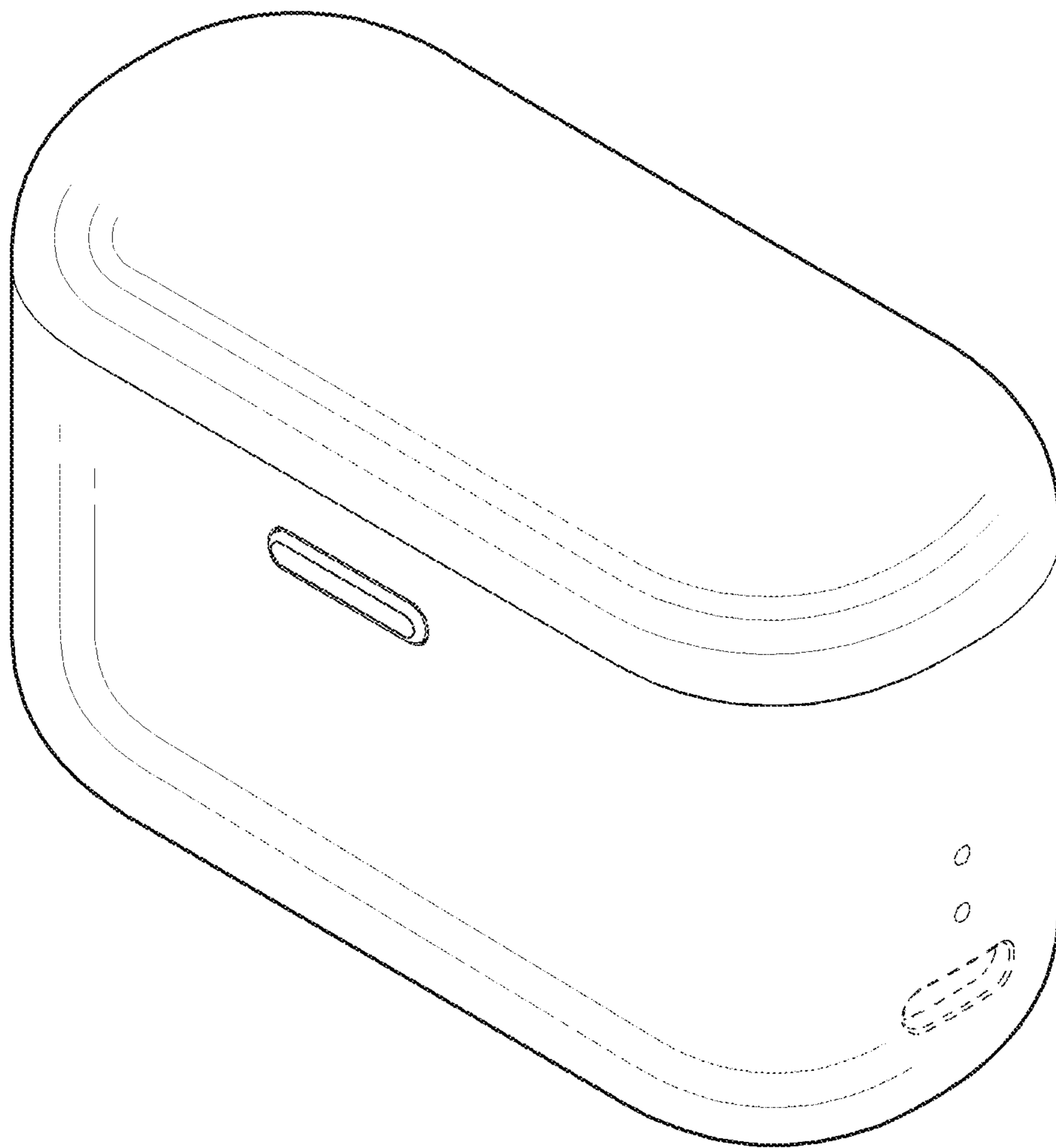


FIG. 2



FIG. 3

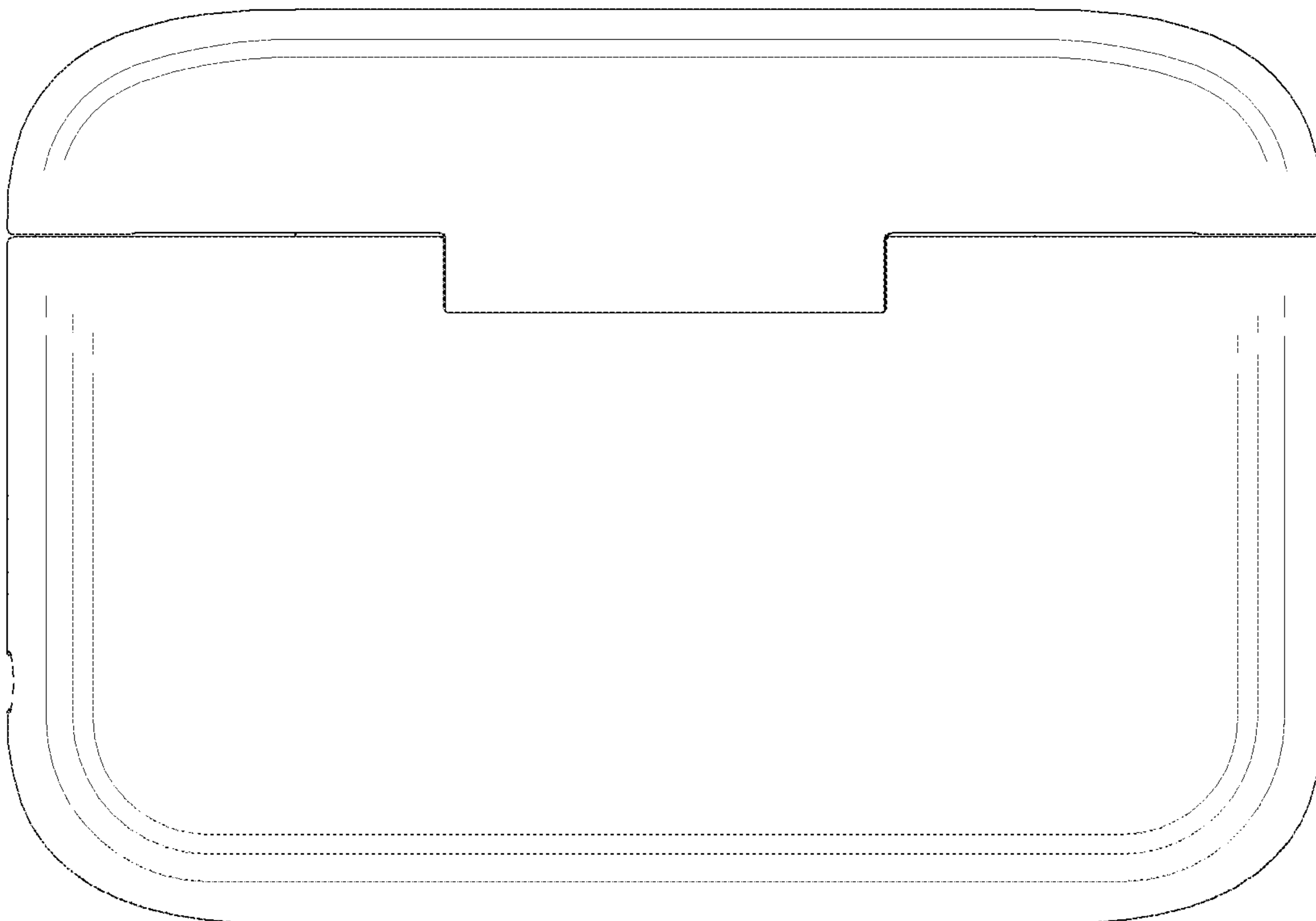


FIG. 4

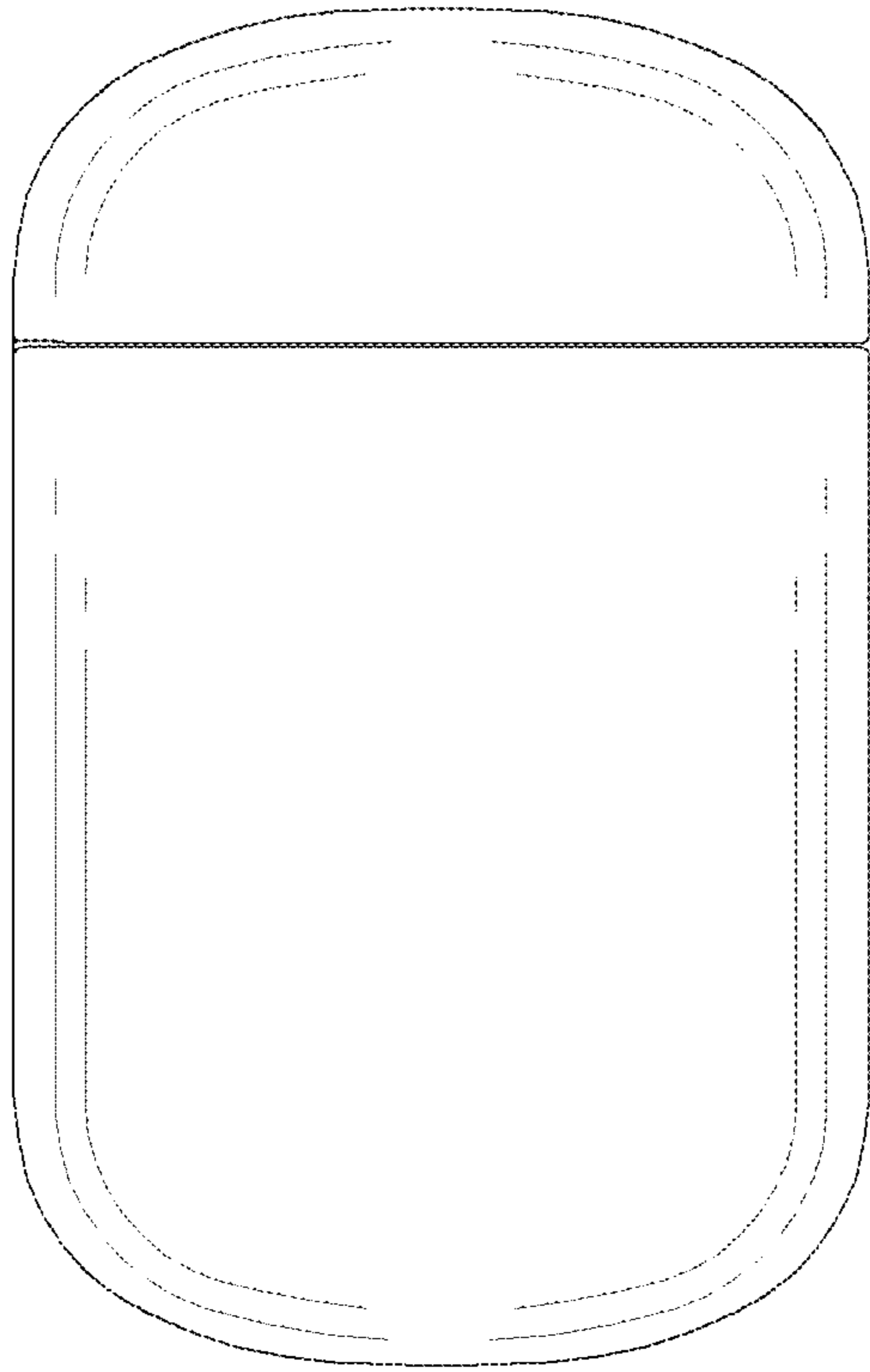


FIG. 5

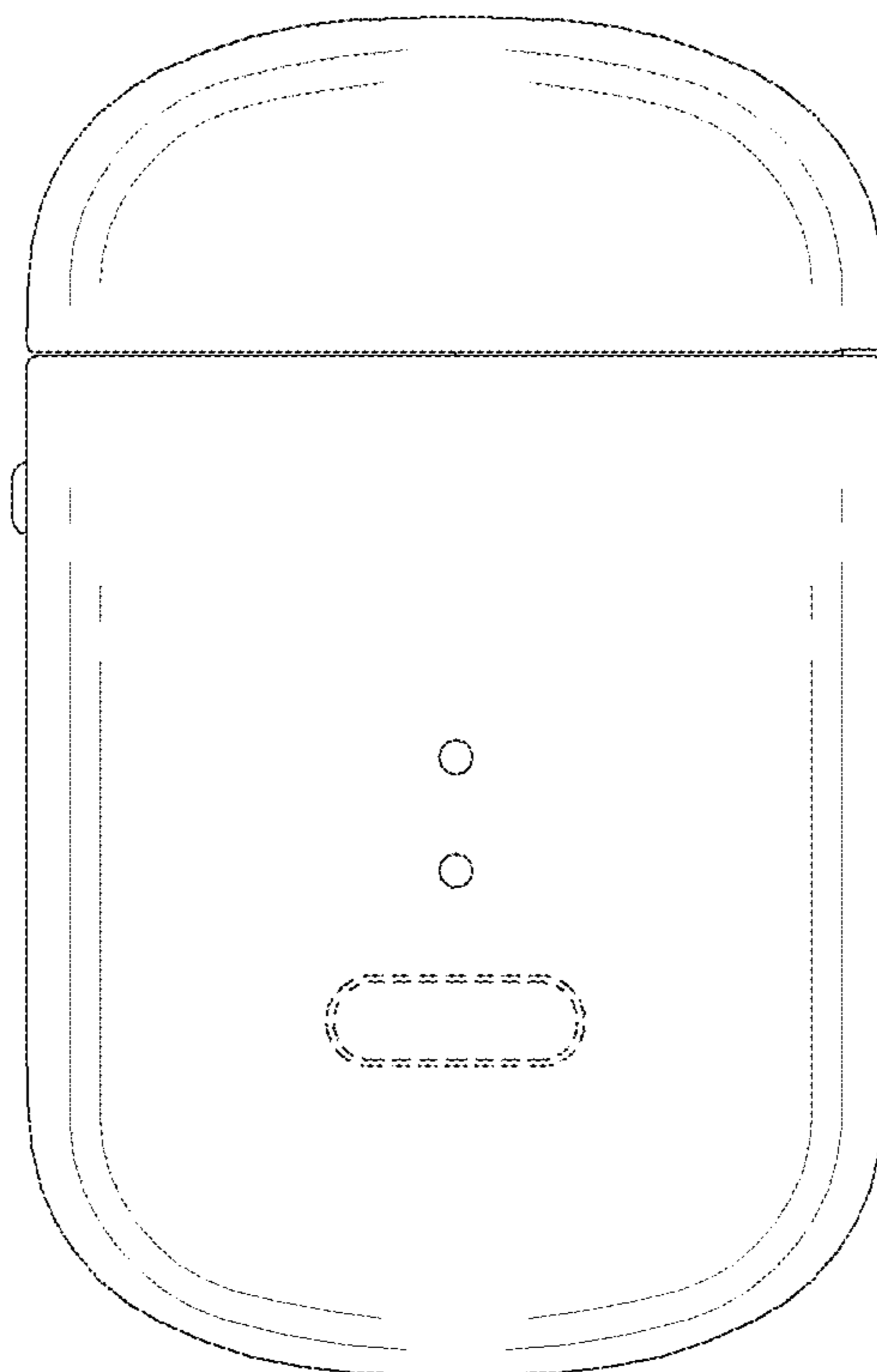


FIG. 6

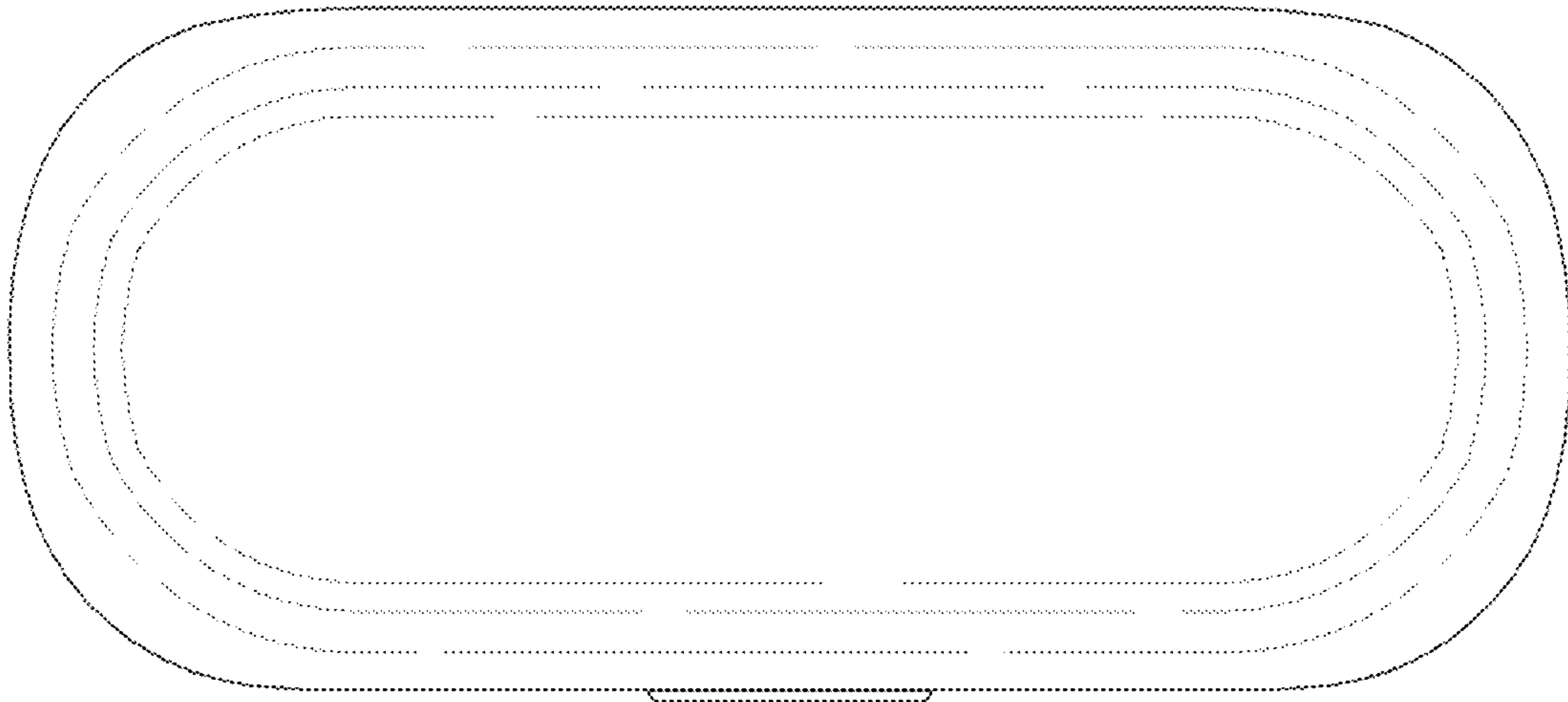


FIG. 7

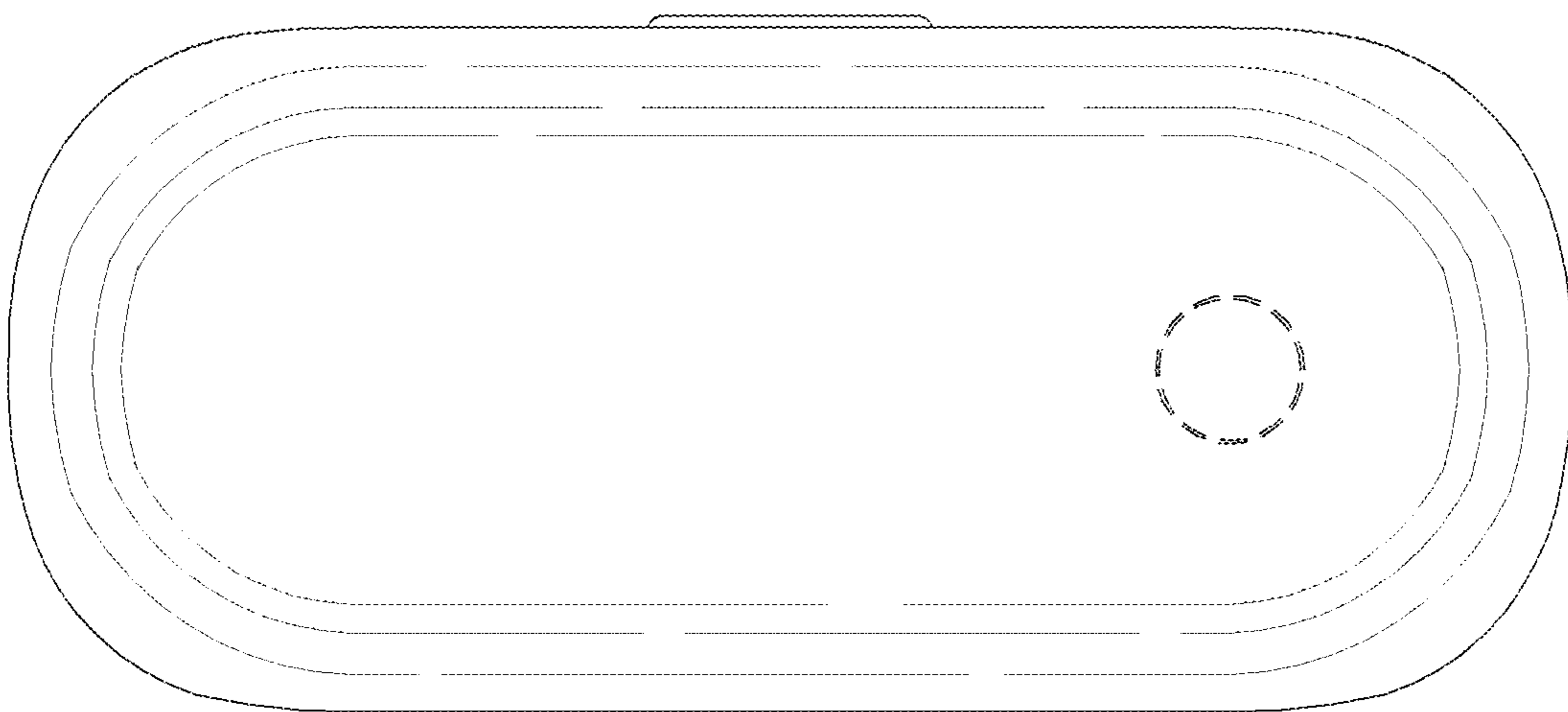


FIG. 8

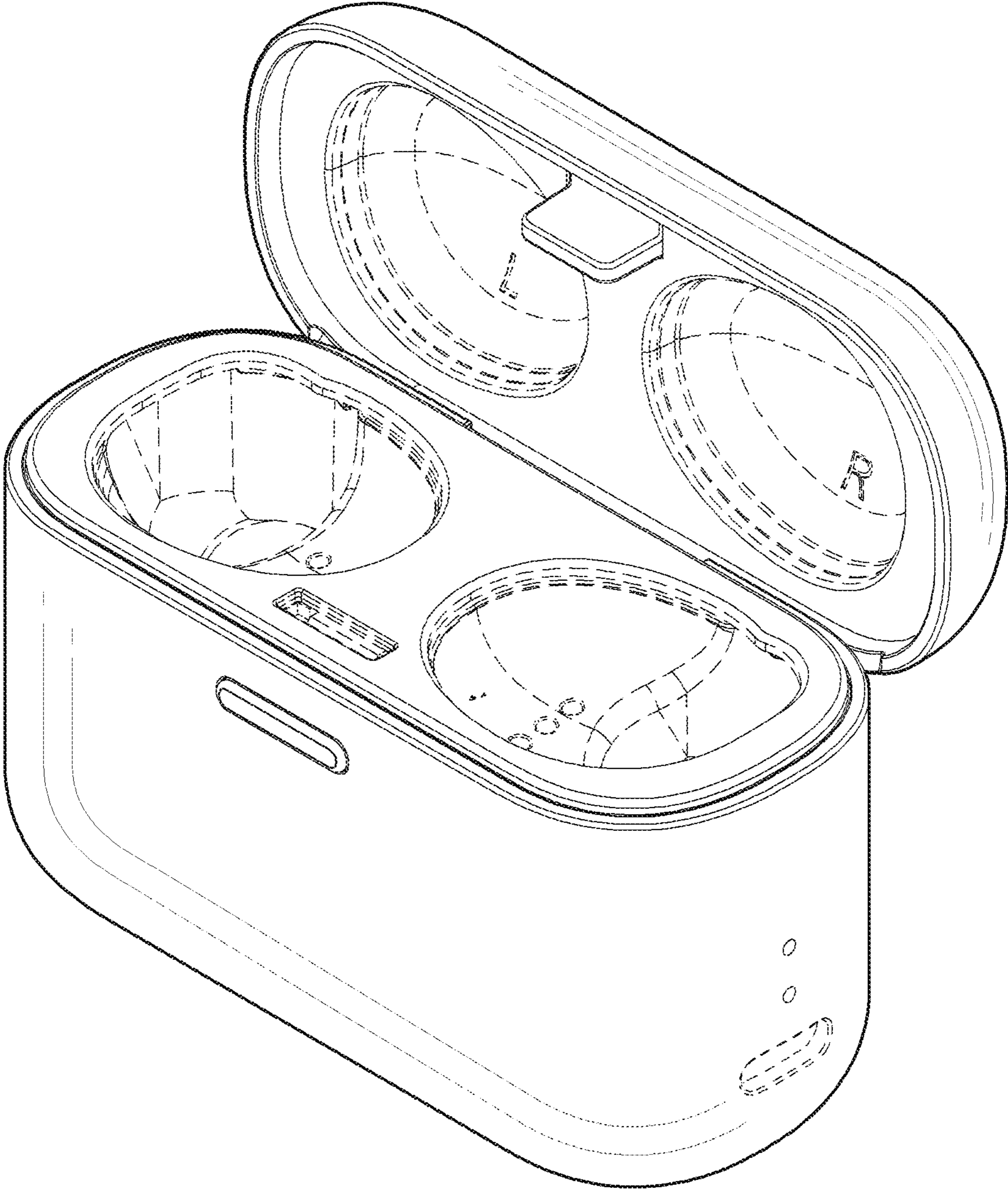


FIG. 9

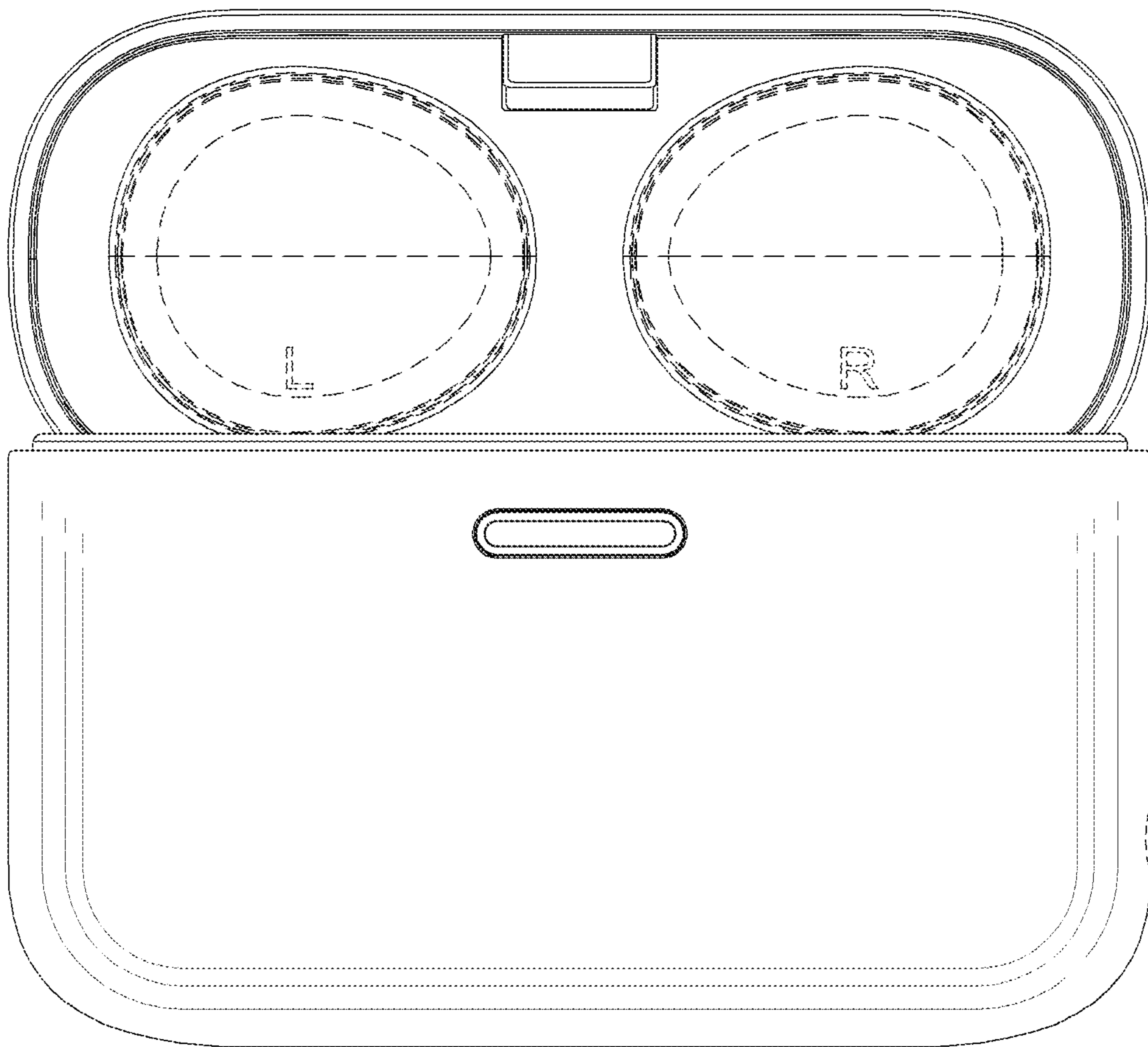




FIG. 10

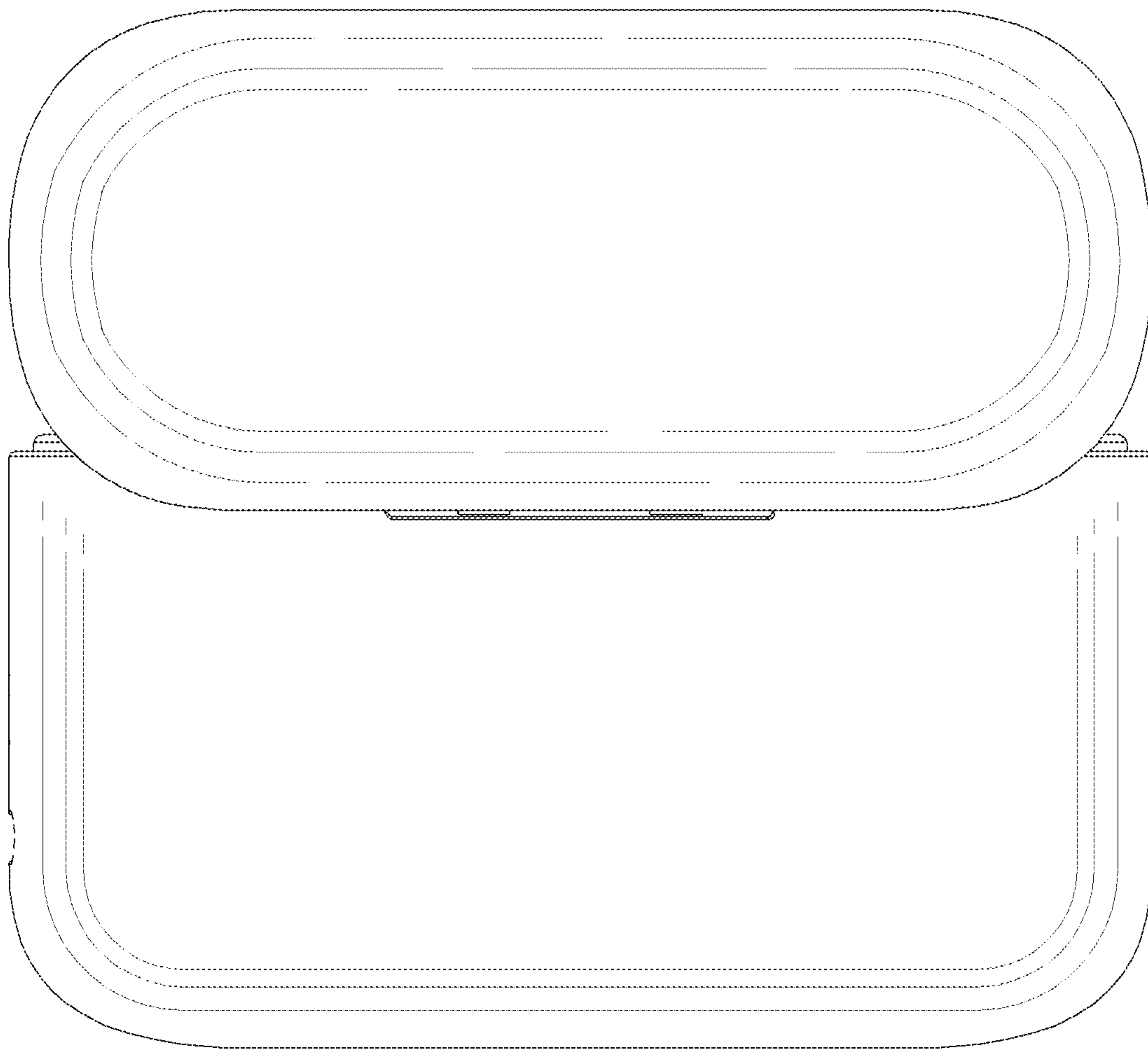


FIG. 11

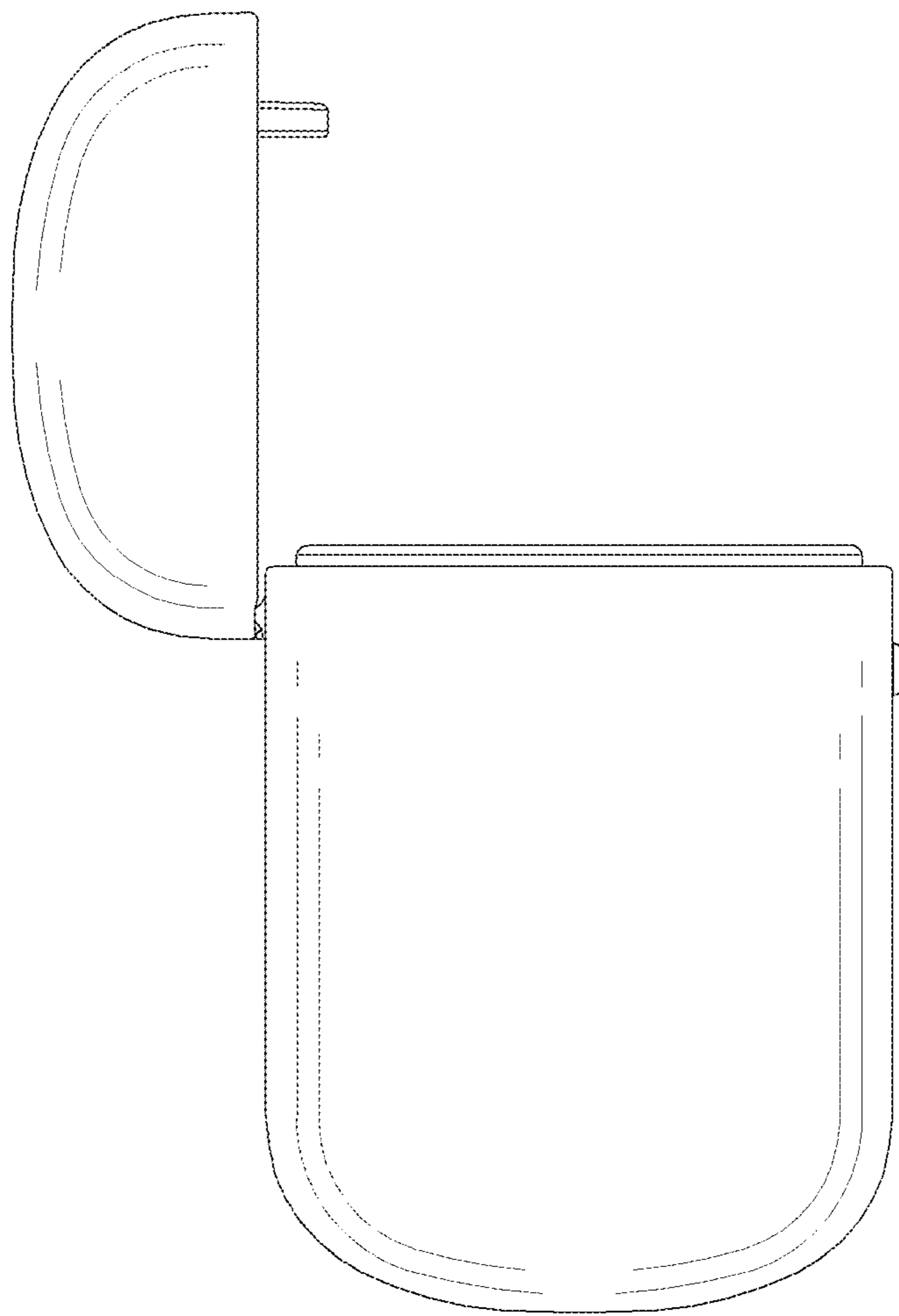


FIG. 12

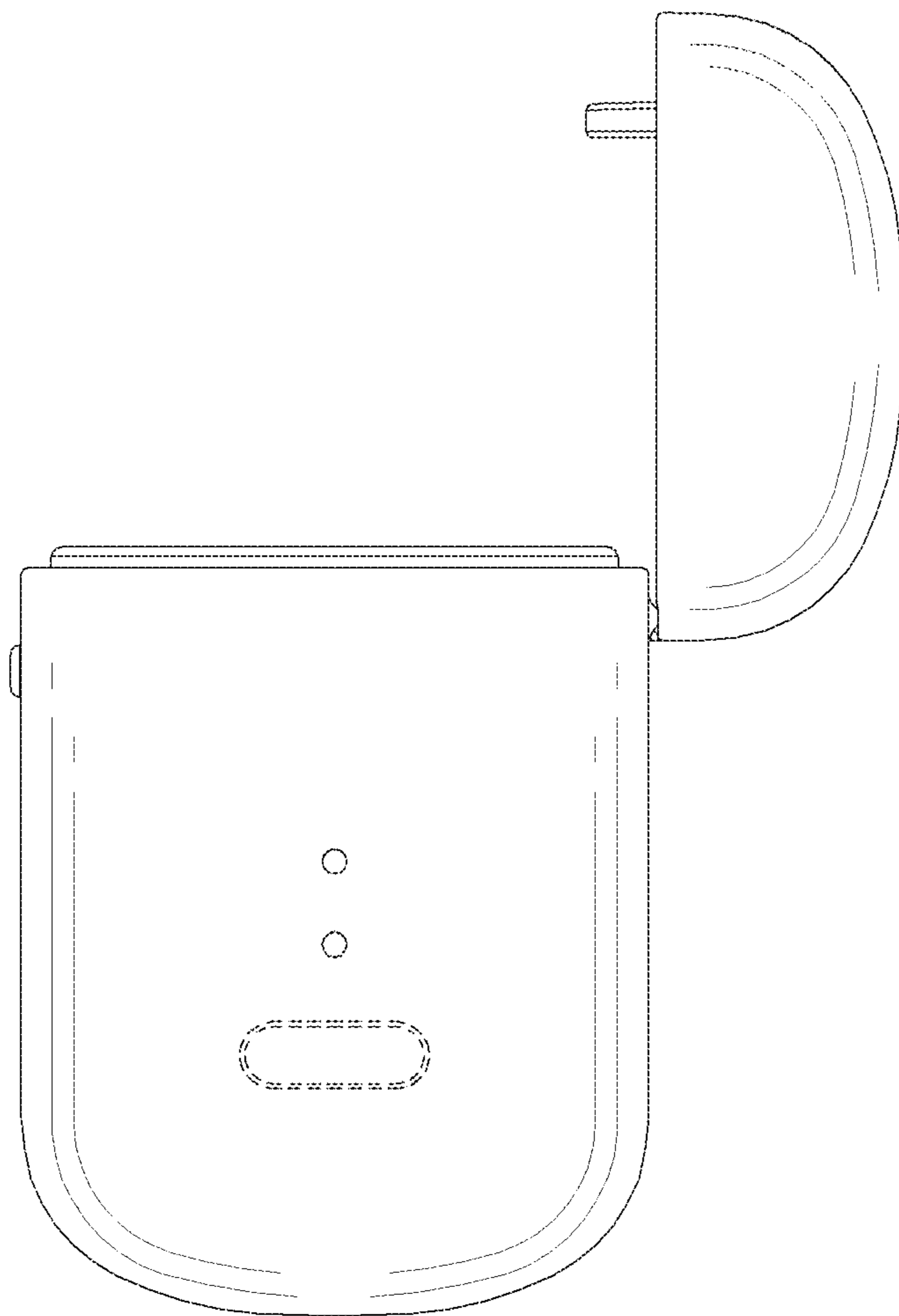


FIG. 13

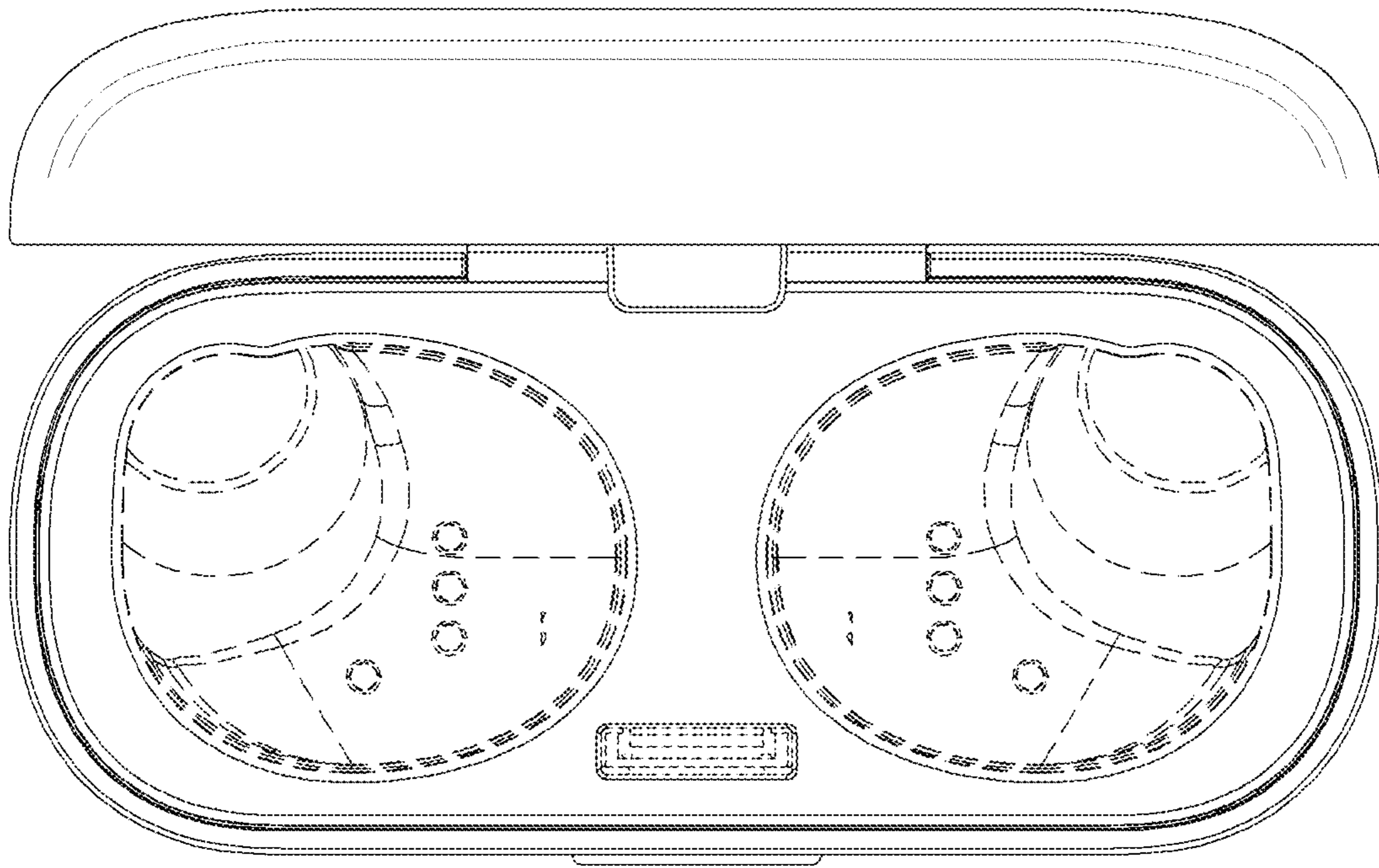


FIG. 14

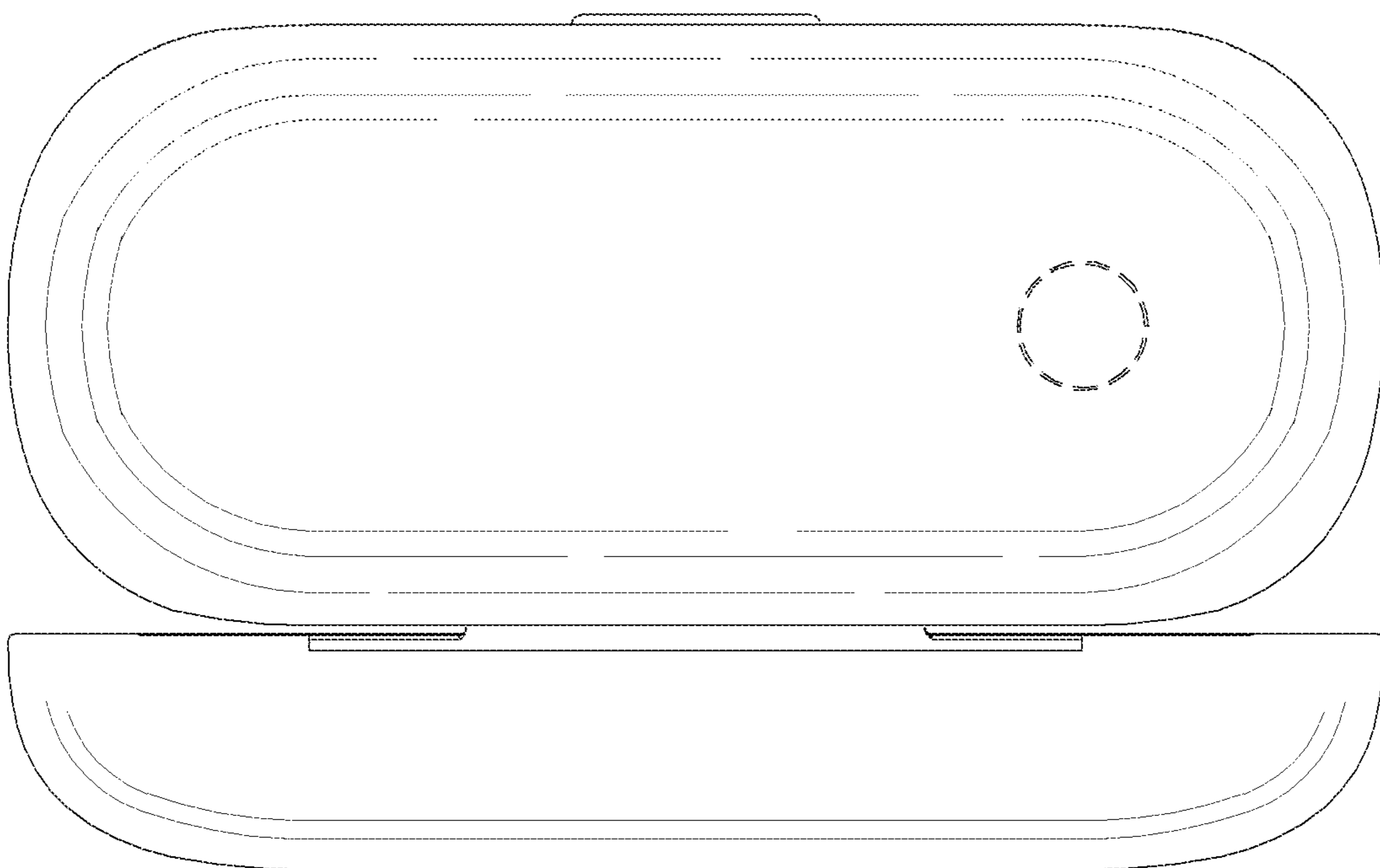


FIG. 15

