



US00D897676S

(12) **United States Design Patent**
McDonough

(10) **Patent No.:** **US D897,676 S**

(45) **Date of Patent:** **** Oct. 6, 2020**

(54) **TRAVEL CONTAINER**

(71) Applicant: **Gail McDonough**, Boston, MA (US)

(72) Inventor: **Gail McDonough**, Boston, MA (US)

(**) Term: **15 Years**

(21) Appl. No.: **29/670,955**

(22) Filed: **Nov. 21, 2018**

(51) **LOC (12) Cl.** **03-01**

(52) **U.S. Cl.**
USPC **D3/264**

(58) **Field of Classification Search**

USPC D3/207, 215, 219, 229, 263–266, 299,
D3/211; D12/417; D16/330, 339;
24/3.3, 3.7, 3.8, 563; 206/5, 5.1, 6;
248/902; 351/112, 155

CPC A45C 11/04; A45C 11/005; A47F 7/02;
A47F 7/021

See application file for complete search history.

(56) **References Cited**

U.S. PATENT DOCUMENTS

D117,705 S *	11/1939	Abrams	D9/746
2,948,387 A *	8/1960	Fishman	A45C 11/005 206/5
D202,321 S *	9/1965	Conner et al.	D3/263
3,326,358 A *	6/1967	Singleton	A45C 11/005 206/5
D208,166 S *	7/1967	Hueber et al.	D3/264
3,643,672 A *	2/1972	Brown	A45C 11/005 134/143
D227,744 S *	7/1973	Mitchko	D3/203.2
4,295,345 A *	10/1981	Atkinson	A45C 11/20 206/427

(Continued)

Primary Examiner — T Chase Nelson

(74) *Attorney, Agent, or Firm* — Lando & Anastasi, LLP

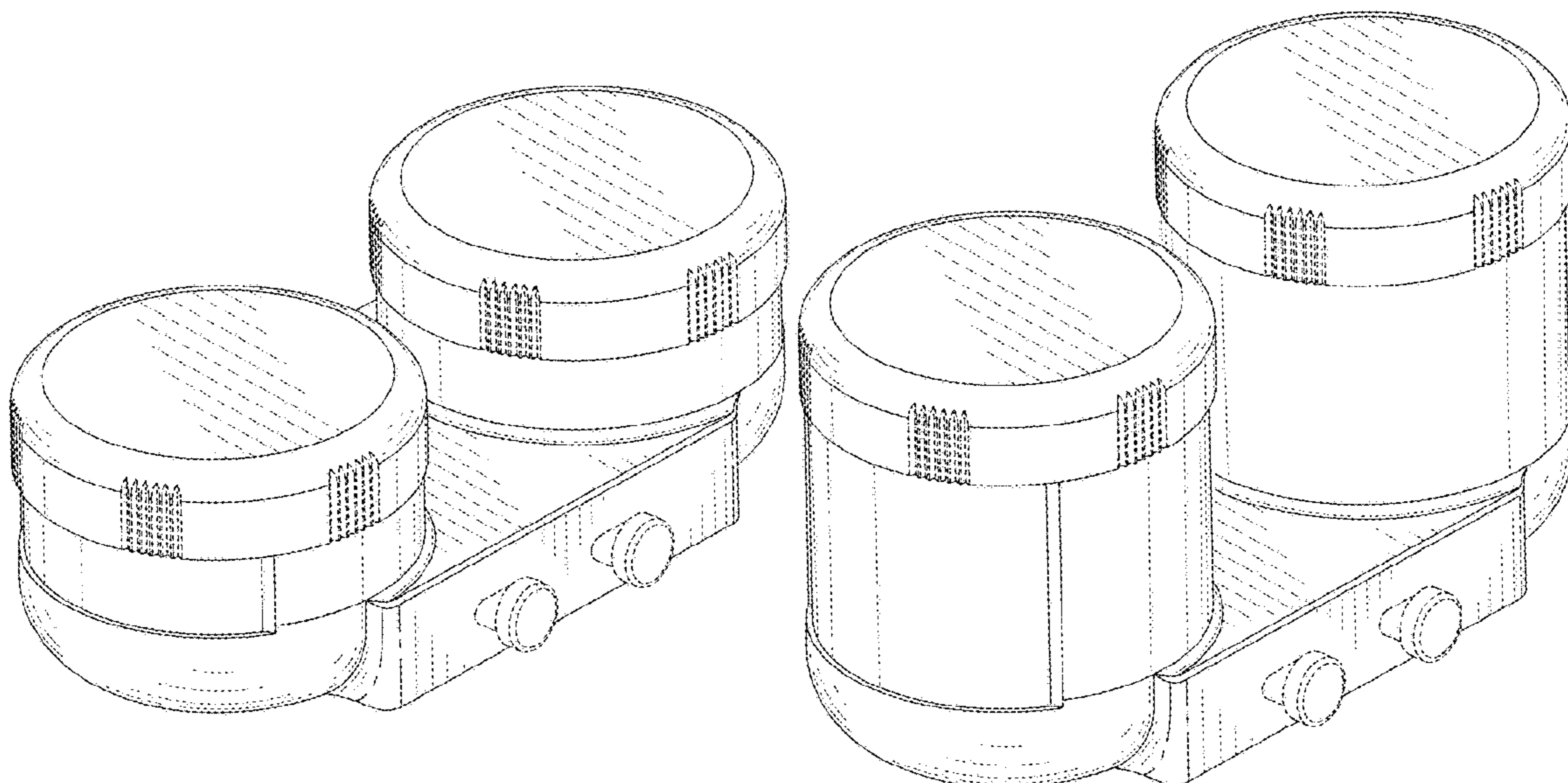
(57) **CLAIM**

The ornamental design for a travel container, as shown and described.

DESCRIPTION

FIG. 1 is a perspective view of a travel container design of an embodiment of the present disclosure;
 FIG. 2 is another perspective view thereof;
 FIG. 3 is a front view thereof;
 FIG. 4 is a back view thereof;
 FIG. 5 is a top view thereof;
 FIG. 6 is a bottom view thereof;
 FIG. 7 is a right side view thereof;
 FIG. 8 is a left side view thereof;
 FIG. 9 is a perspective view similar to FIG. 1 showing caps removed;
 FIG. 10 is a perspective view of the travel container of FIGS. 1-9 shown coupled to an identical container, the duplicate container forming no part of the claimed design;
 FIG. 11 is a perspective view of a travel container design of an embodiment of the present disclosure;
 FIG. 12 is another perspective view thereof;
 FIG. 13 is a front view thereof;
 FIG. 14 is a back view thereof;
 FIG. 15 is a top view thereof;
 FIG. 16 is a bottom view thereof;
 FIG. 17 is a right side view thereof;
 FIG. 18 is a left side view thereof;
 FIG. 19 is a perspective view similar to FIG. 11 showing caps removed; and,
 FIG. 20 is a perspective view of the travel container of FIGS. 11-19 shown coupled to an identical container, the duplicate container forming no part of the claimed design.
 The broken lines showing duplicate travel containers in FIGS. 10 and 20, as well as the broken lines showing portions of the travel container throughout the views of the claimed design are for illustrative purposes only and form no part of the claimed design.

1 Claim, 20 Drawing Sheets



(56)

References Cited

U.S. PATENT DOCUMENTS

4,392,569 A * 7/1983 Shoup A45C 11/005
206/205
4,545,479 A * 10/1985 Figari A45C 11/005
132/286
D285,744 S * 9/1986 Vinot D3/264
D289,923 S * 5/1987 Hoogesteger D24/218
4,784,258 A * 11/1988 Figari A45C 11/005
134/901
D317,228 S * 6/1991 Stufflebeam D3/224
5,224,593 A * 7/1993 Bennett A45C 11/005
206/210
5,280,834 A * 1/1994 Berkley A45C 11/005
116/309
D368,368 S * 4/1996 Merritt A45C 11/20
D3/263
D403,505 S * 1/1999 Clark D3/265
6,420,455 B1 * 7/2002 Landgrebe A45C 11/005
523/122
6,435,339 B1 * 8/2002 Kroupa A45C 11/005
206/38
D498,590 S * 11/2004 Borovsky D3/263
D512,565 S * 12/2005 Sasso A45C 11/005
D3/263
D566,388 S * 4/2008 Nevins A45C 11/005
D3/263
D571,555 S * 6/2008 Maraia A45C 11/005
D3/263
7,397,347 B1 * 7/2008 Joyce A45C 11/005
206/5.1
D714,052 S * 9/2014 Priebe A61L 2/26
D3/264
D720,532 S * 1/2015 Priebe A45C 11/005
D3/264
D747,553 S * 1/2016 Osweiler A45C 11/005
D28/38
D756,117 S * 5/2016 Harris A45C 11/005
D3/264
D768,934 S * 10/2016 Osweiler A45C 11/005
D28/38
D784,694 S * 4/2017 Priebe A45C 11/005
D3/264

D806,387 S * 1/2018 Tillmann A45C 11/005
D3/264
2003/0176530 A1 * 9/2003 Lindley A61L 2/26
523/106
2004/0140229 A1 * 7/2004 Borovsky A45C 11/005
206/5.1
2005/0045495 A1 * 3/2005 Dalsing A45C 11/005
206/5.1
2006/0102496 A1 * 5/2006 Christy A45C 11/005
206/5.1
2007/0000792 A1 * 1/2007 Newman A45C 11/005
206/5.1
2007/0206377 A1 * 9/2007 Borup A45C 11/005
362/156
2007/0261970 A1 * 11/2007 Stull A45C 11/005
206/5.1
2007/0267302 A1 * 11/2007 McGhie F17C 13/123
206/6
2008/0179200 A1 * 7/2008 O'Hara A45C 11/005
206/5.1
2008/0272009 A1 * 11/2008 Coon A45C 11/005
206/5.1
2010/0122917 A1 * 5/2010 Azera A45C 11/046
206/5.1
2011/0017243 A1 * 1/2011 Voss A45C 11/005
134/42
2011/0024649 A1 * 2/2011 Merkle A45C 11/005
250/492.1
2011/0303562 A1 * 12/2011 Franklin A45C 15/04
206/223
2011/0315893 A1 * 12/2011 Pugh G02C 7/04
250/455.1
2012/0000798 A1 * 1/2012 Thompson A45C 13/00
206/5.1
2012/0193245 A1 * 8/2012 Wright A45C 11/005
206/5.1
2013/0220840 A1 * 8/2013 Priebe A45C 11/005
206/5.1
2014/0034085 A1 * 2/2014 Josephson A45C 11/005
134/18
2016/0316873 A1 * 11/2016 Lynch A45C 11/005
2017/0006984 A1 * 1/2017 Sheardown A45C 11/005

* cited by examiner

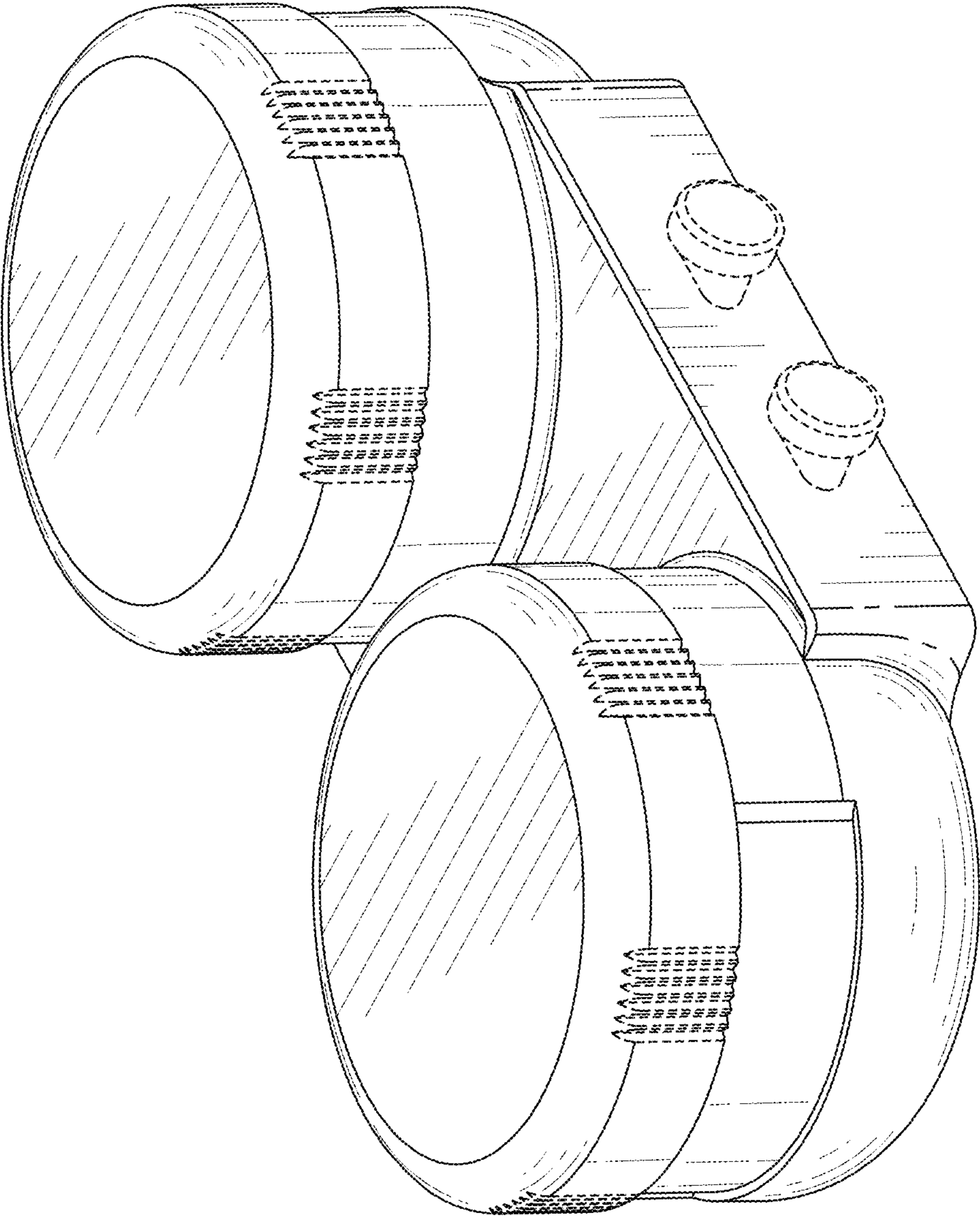


FIG. 1

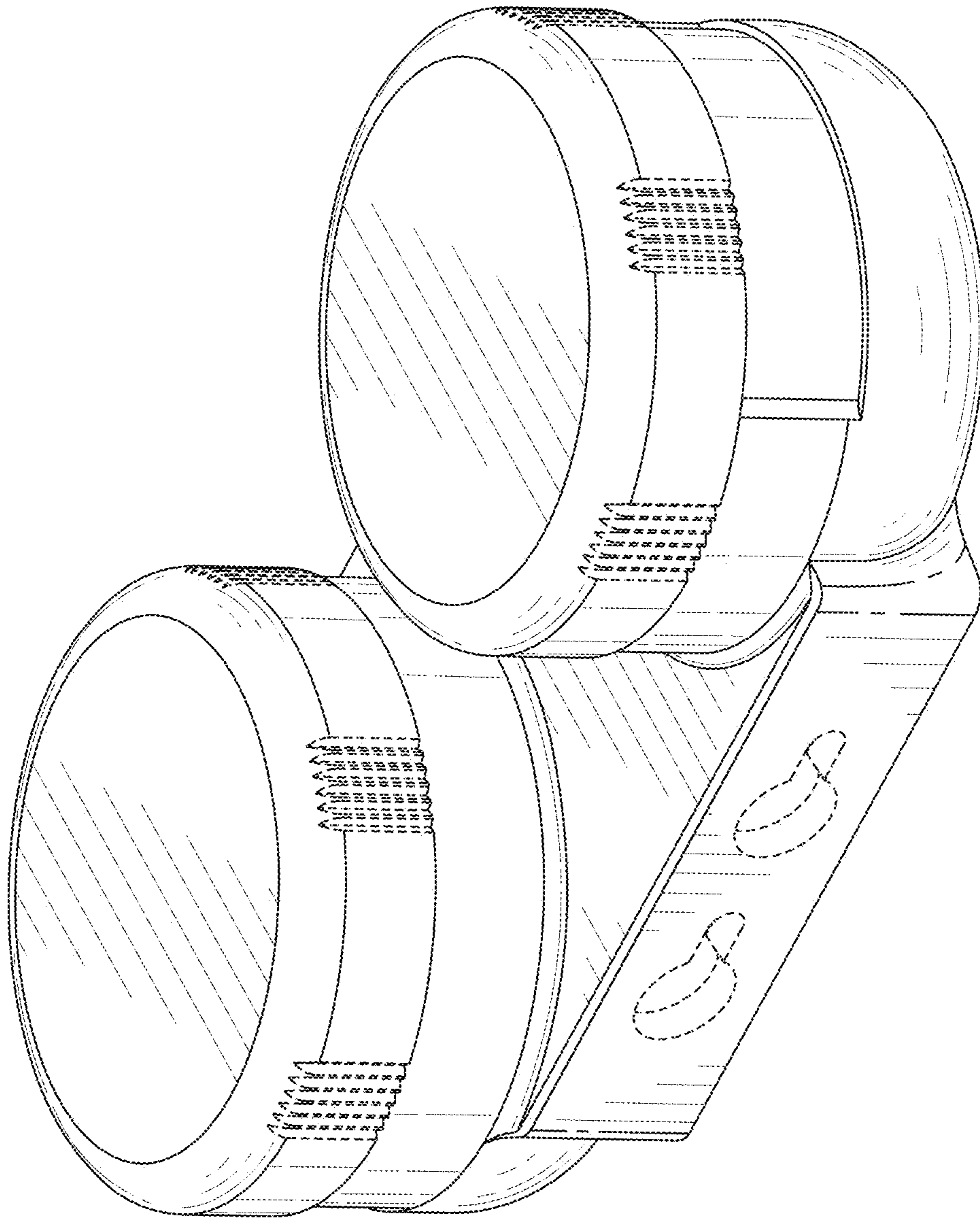


FIG. 2

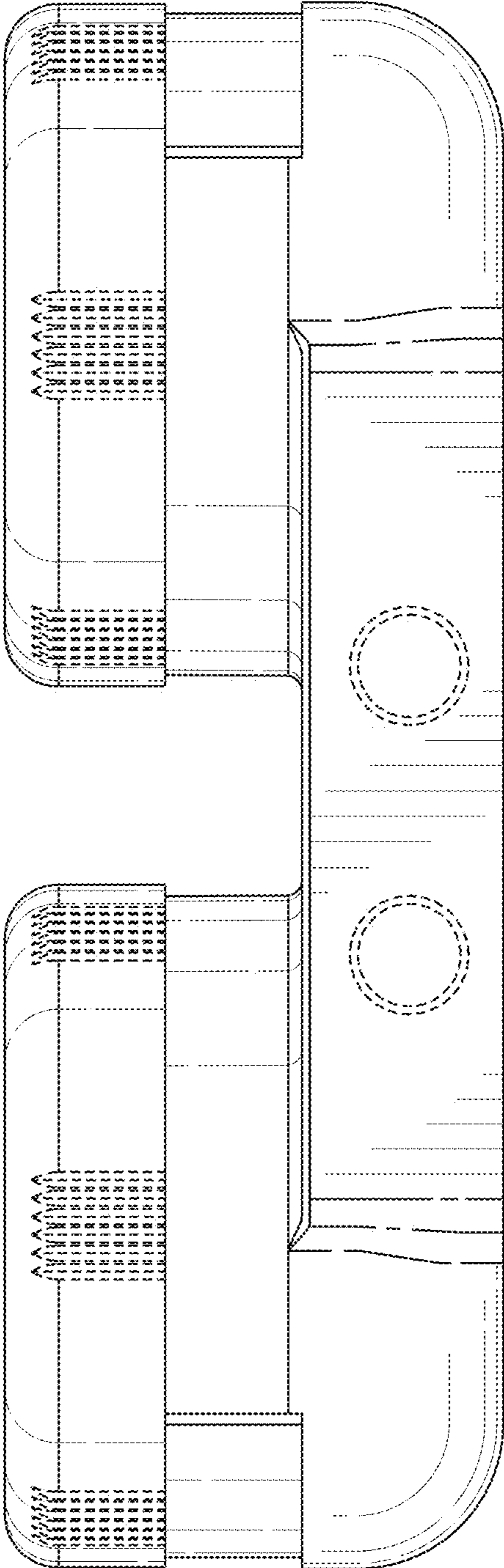


FIG. 3

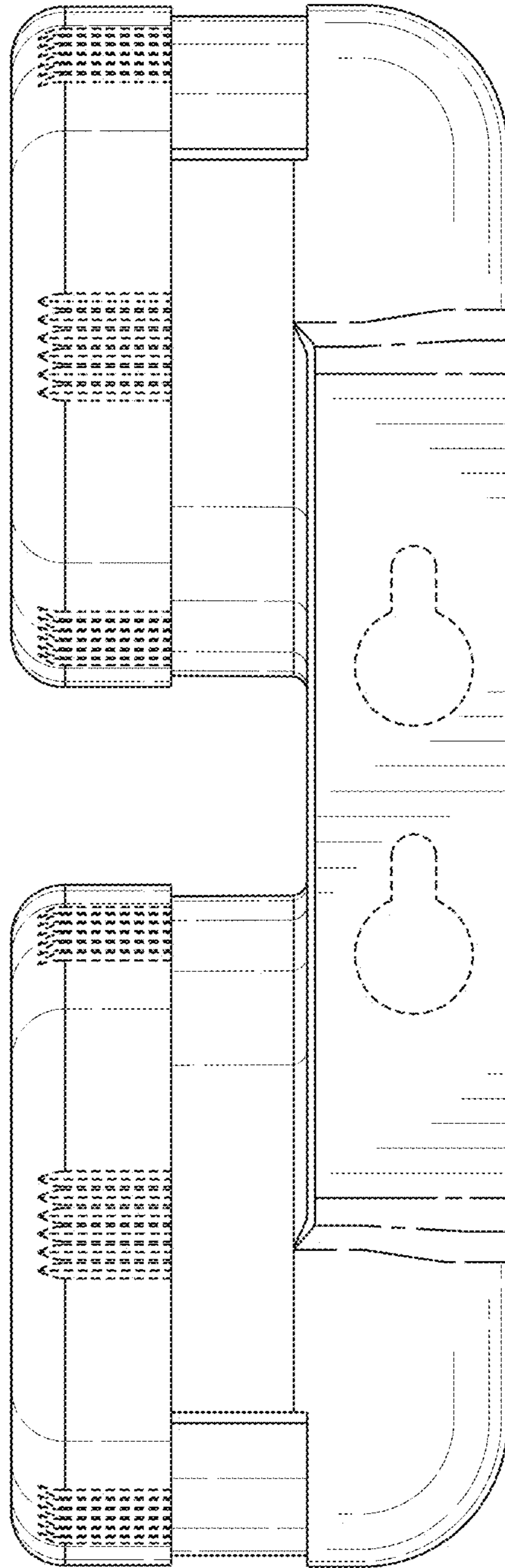


FIG. 4

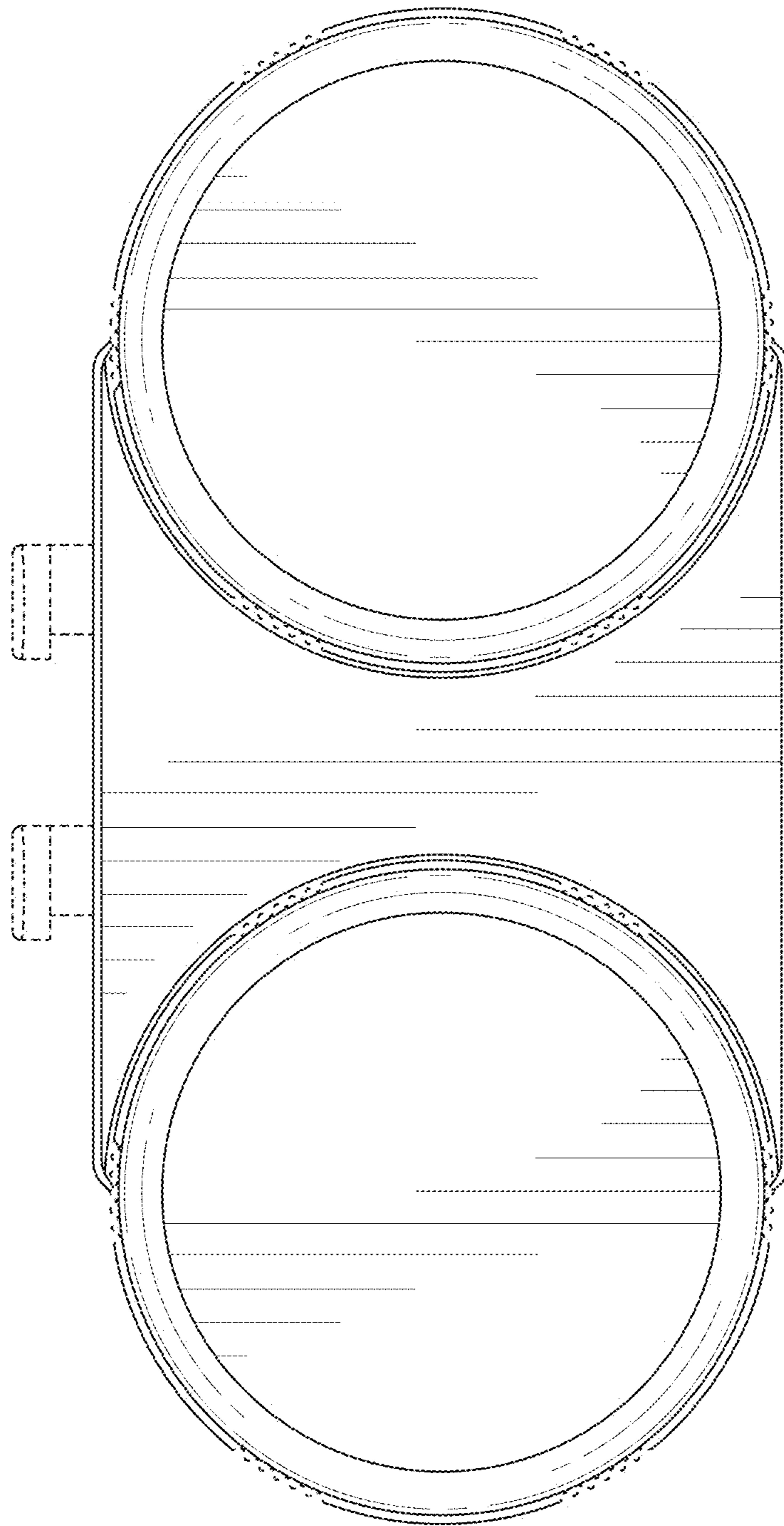


FIG. 5

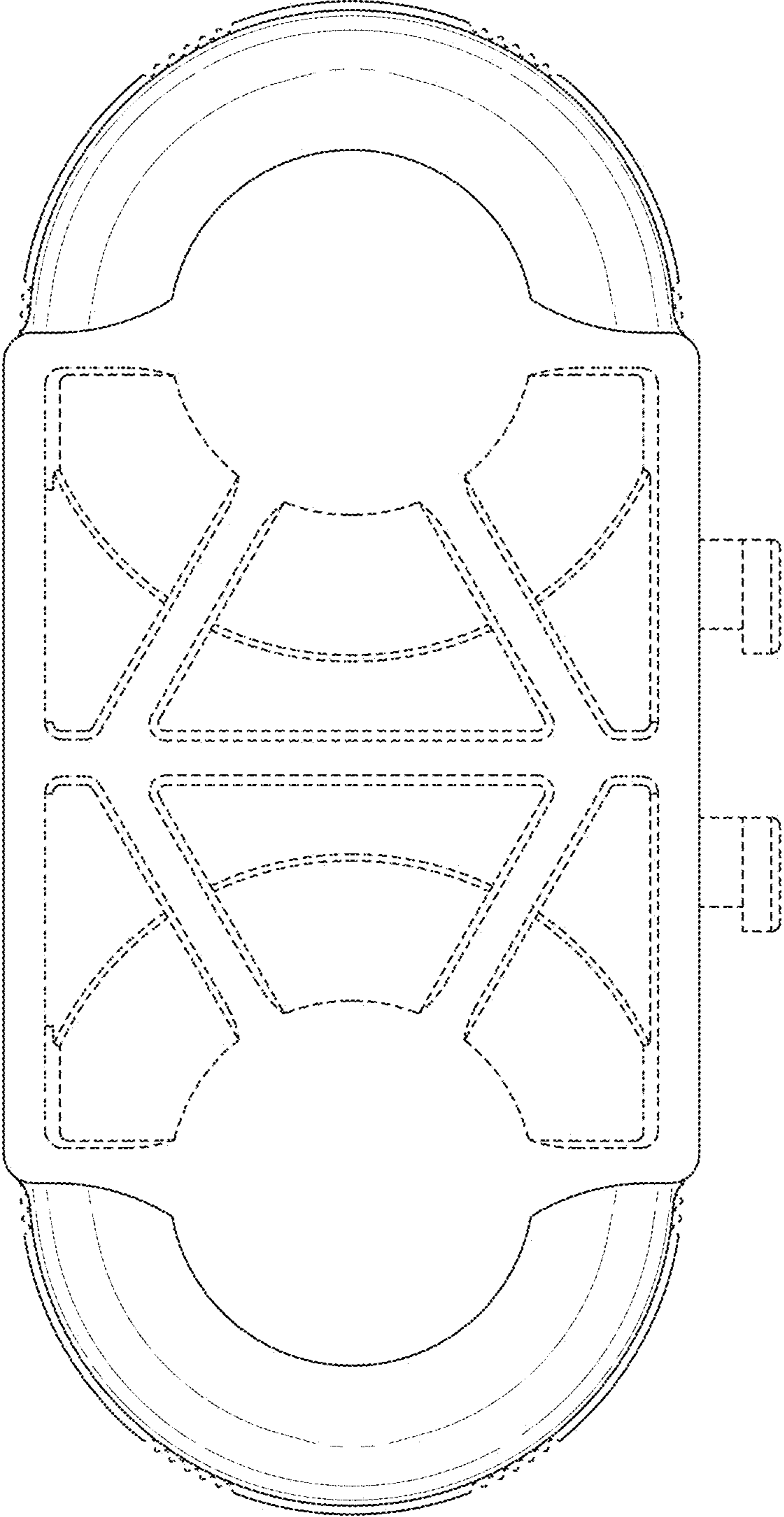


FIG. 6

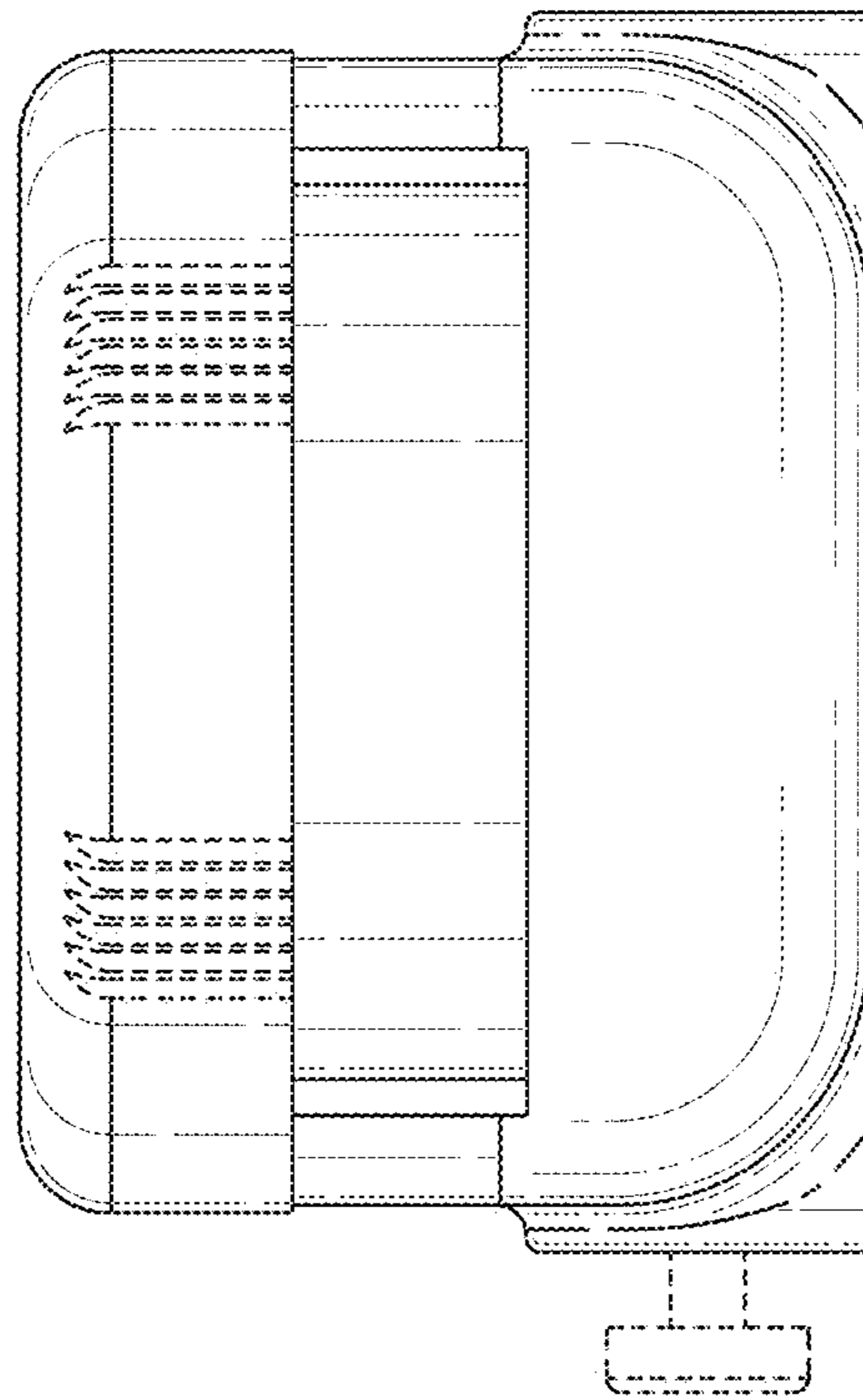


FIG. 7

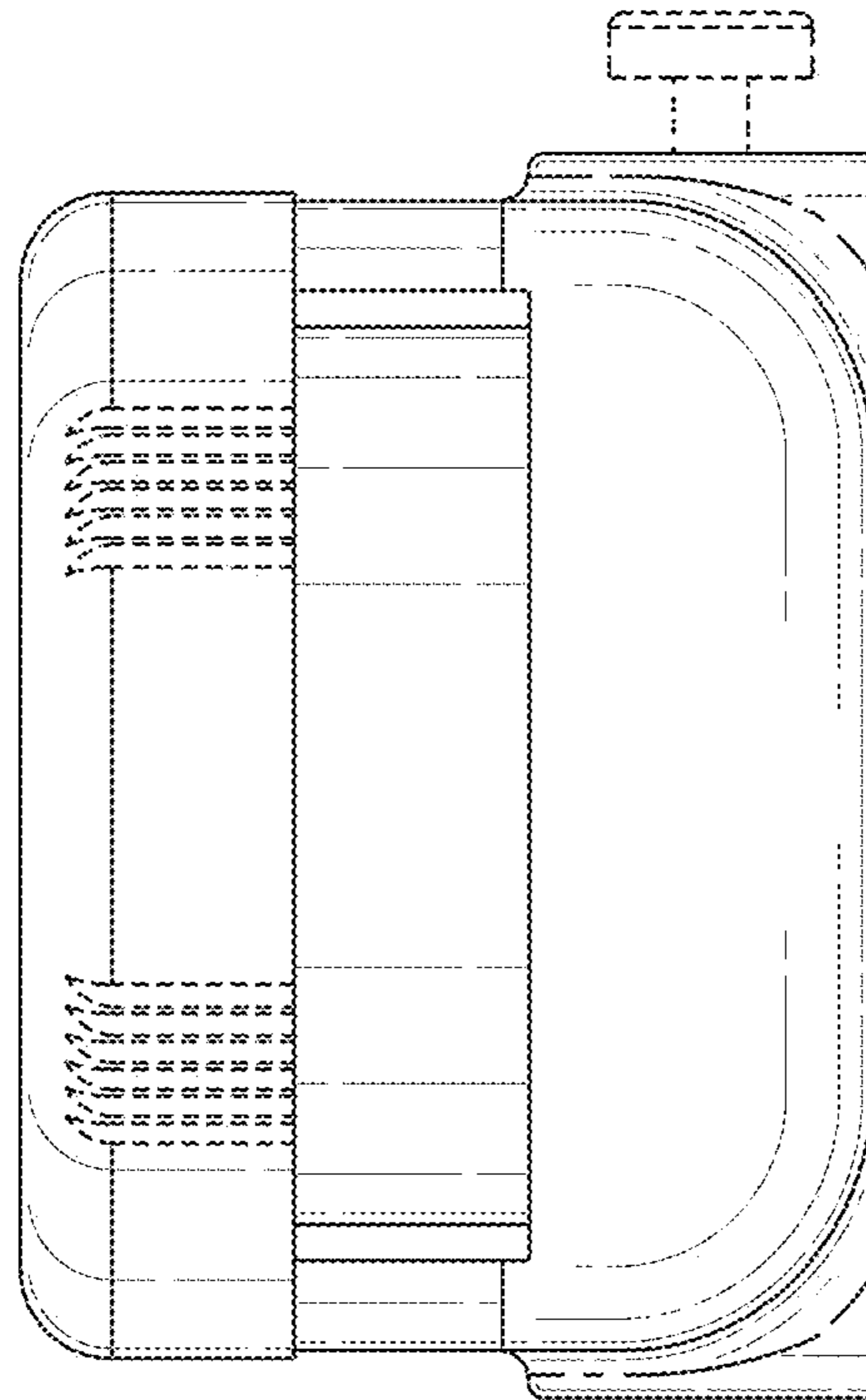
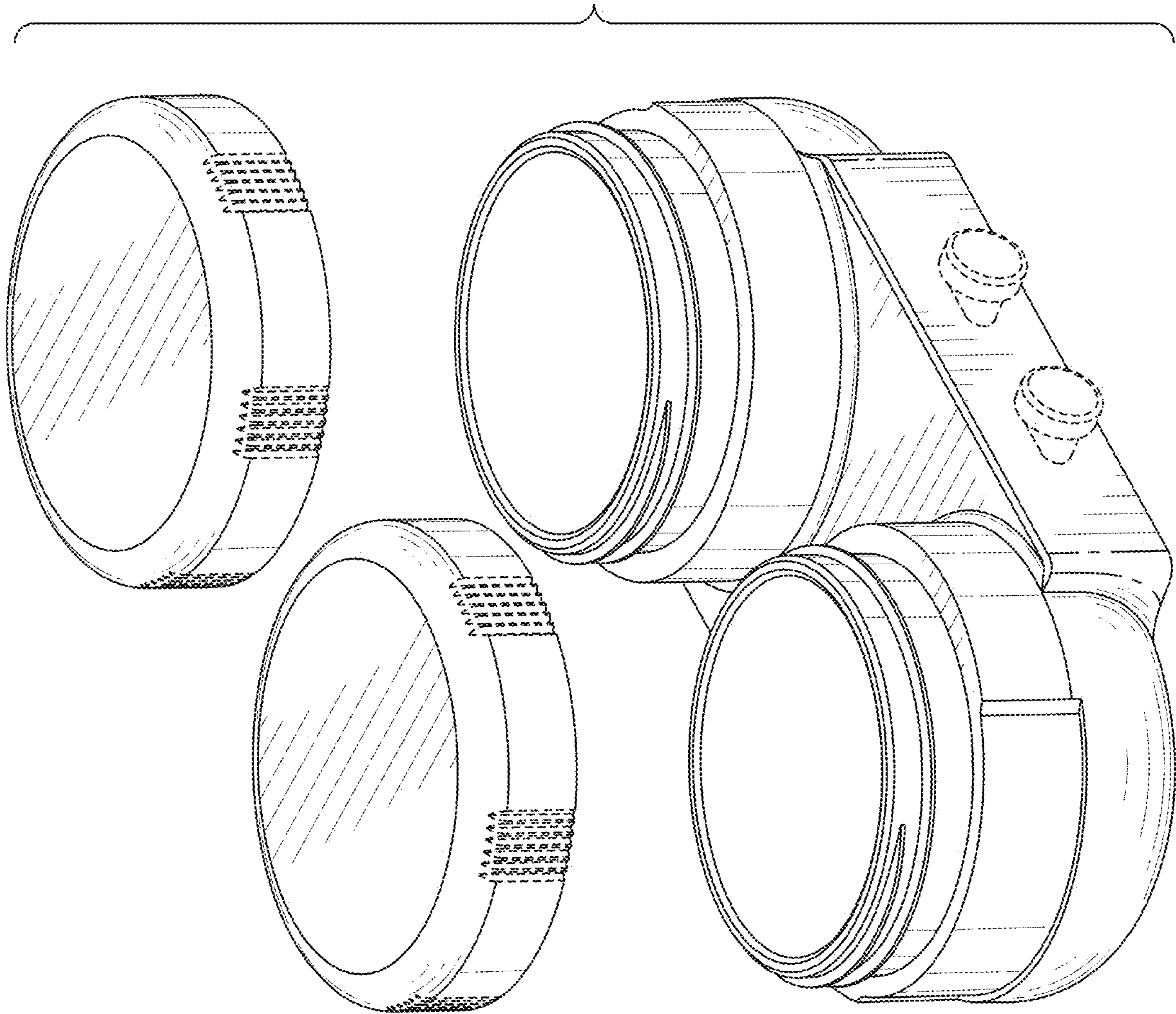


FIG. 8

FIG. 9



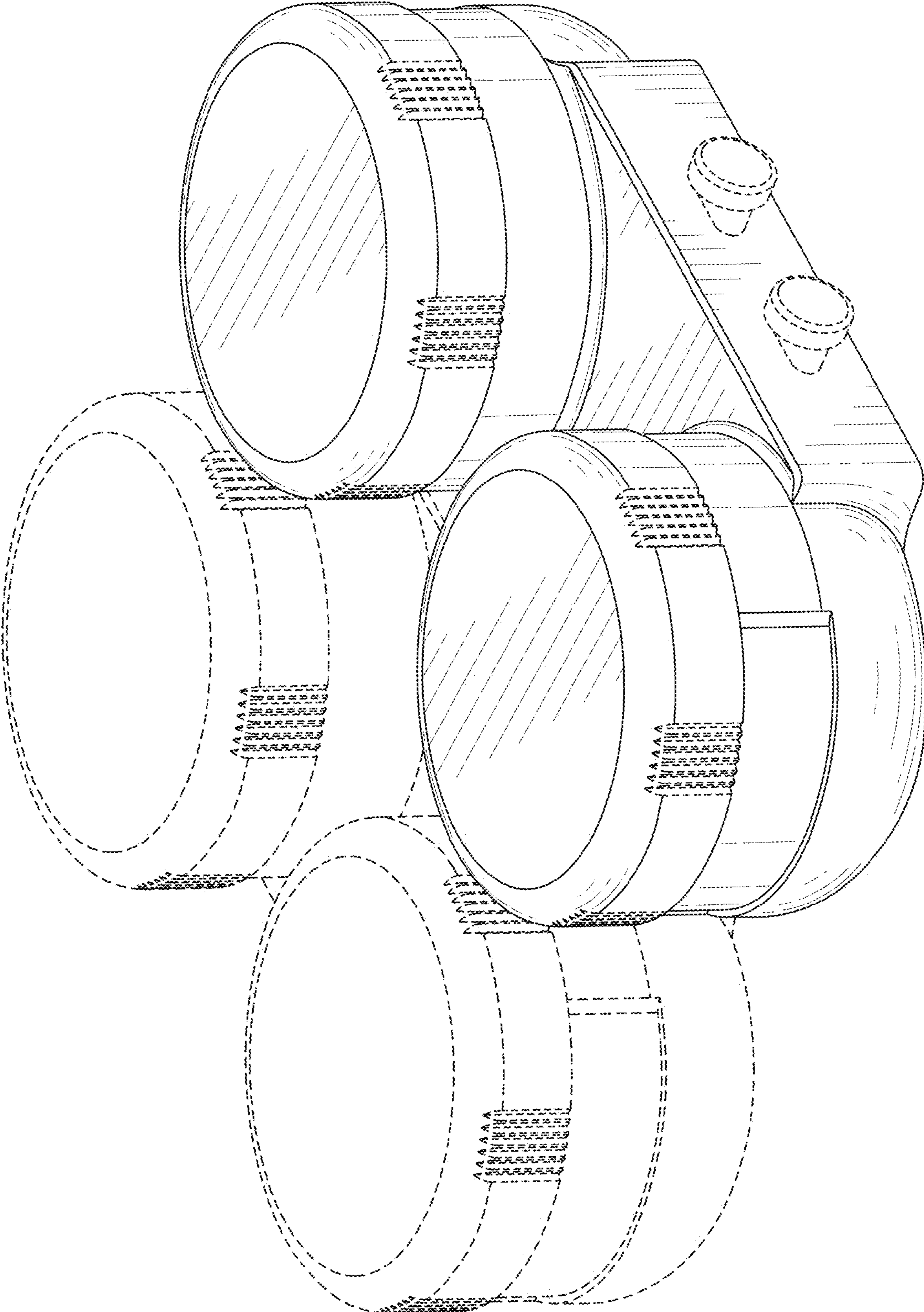


FIG. 10

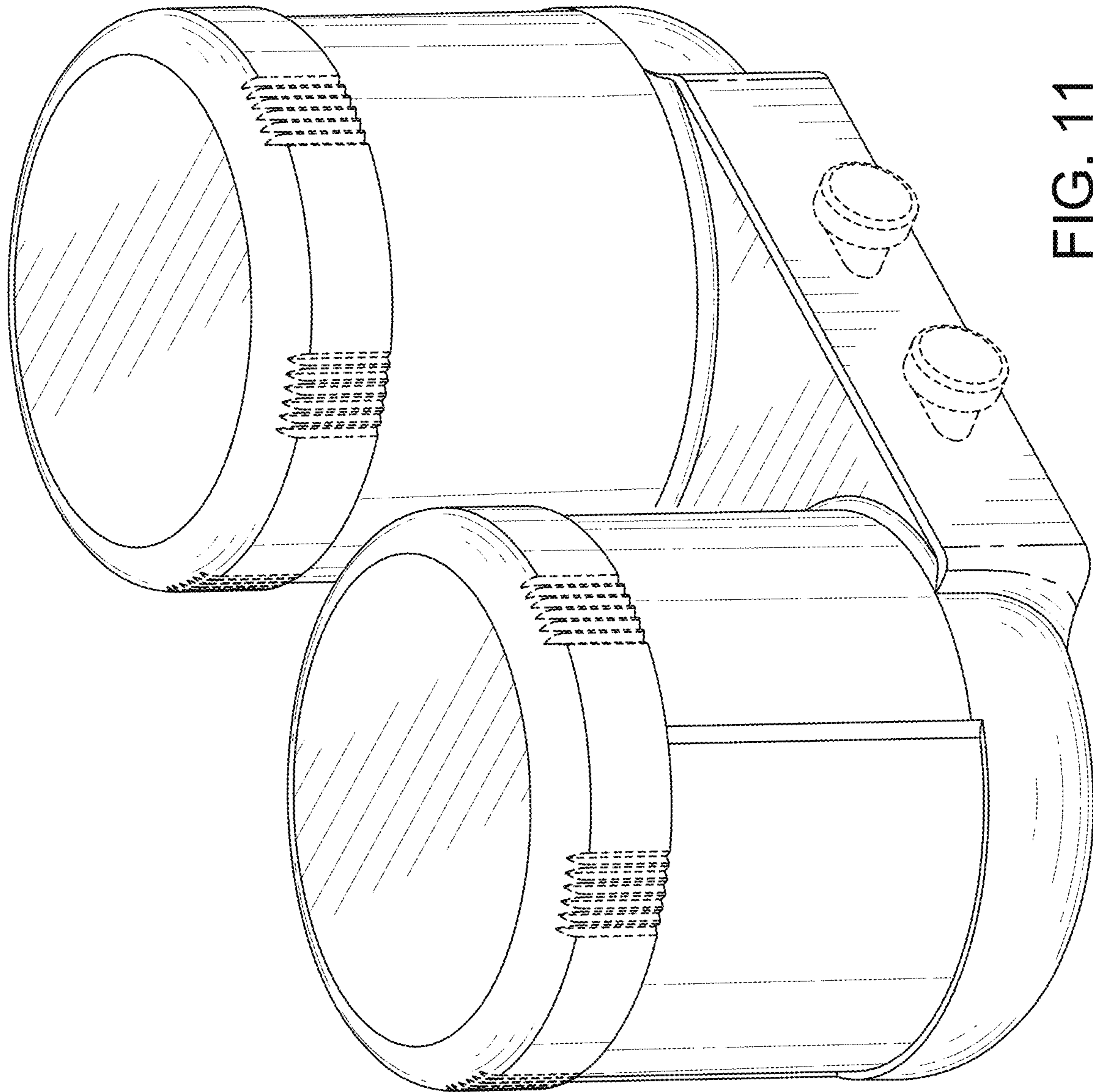


FIG. 11

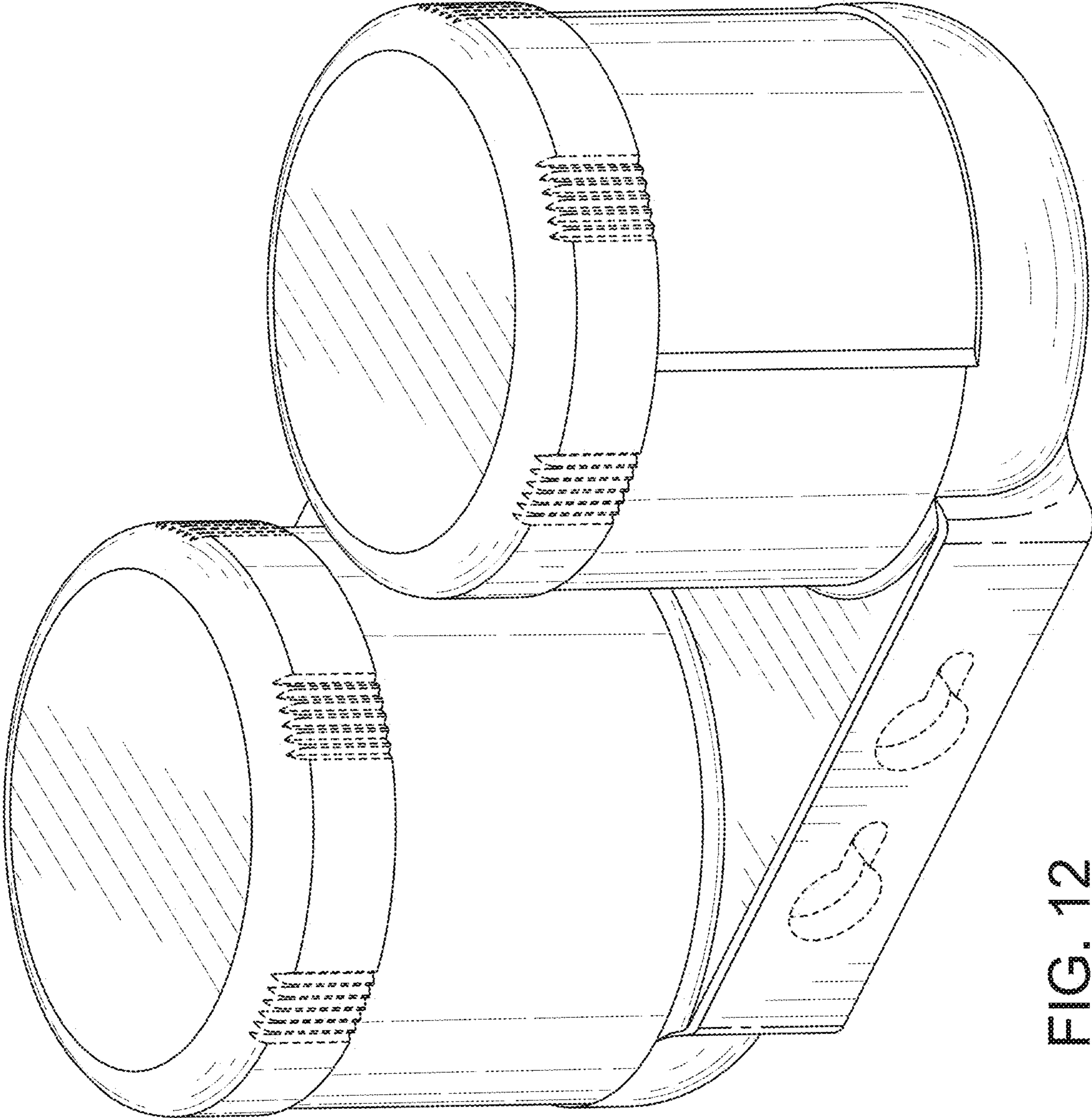


FIG. 12

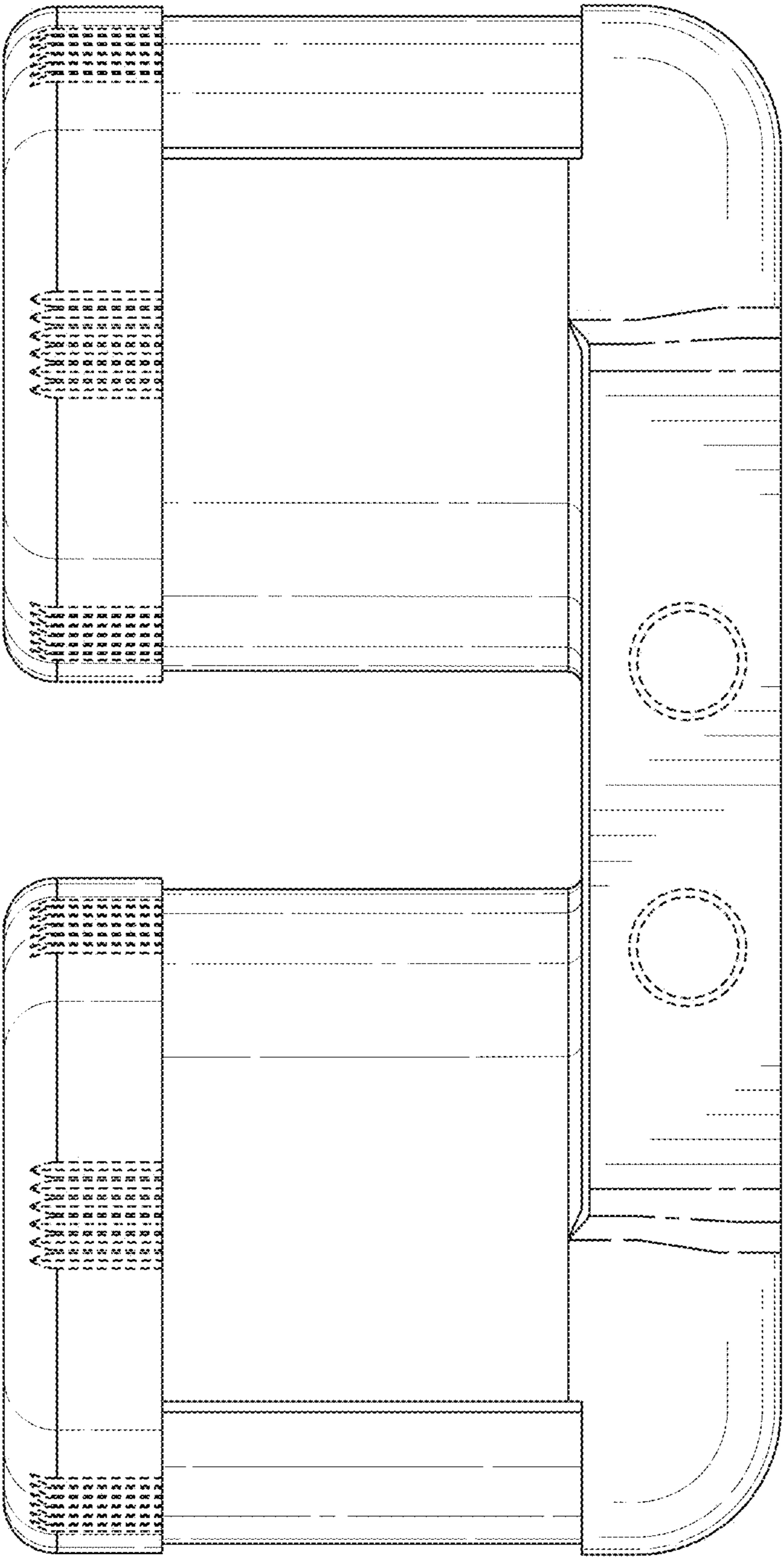


FIG. 13

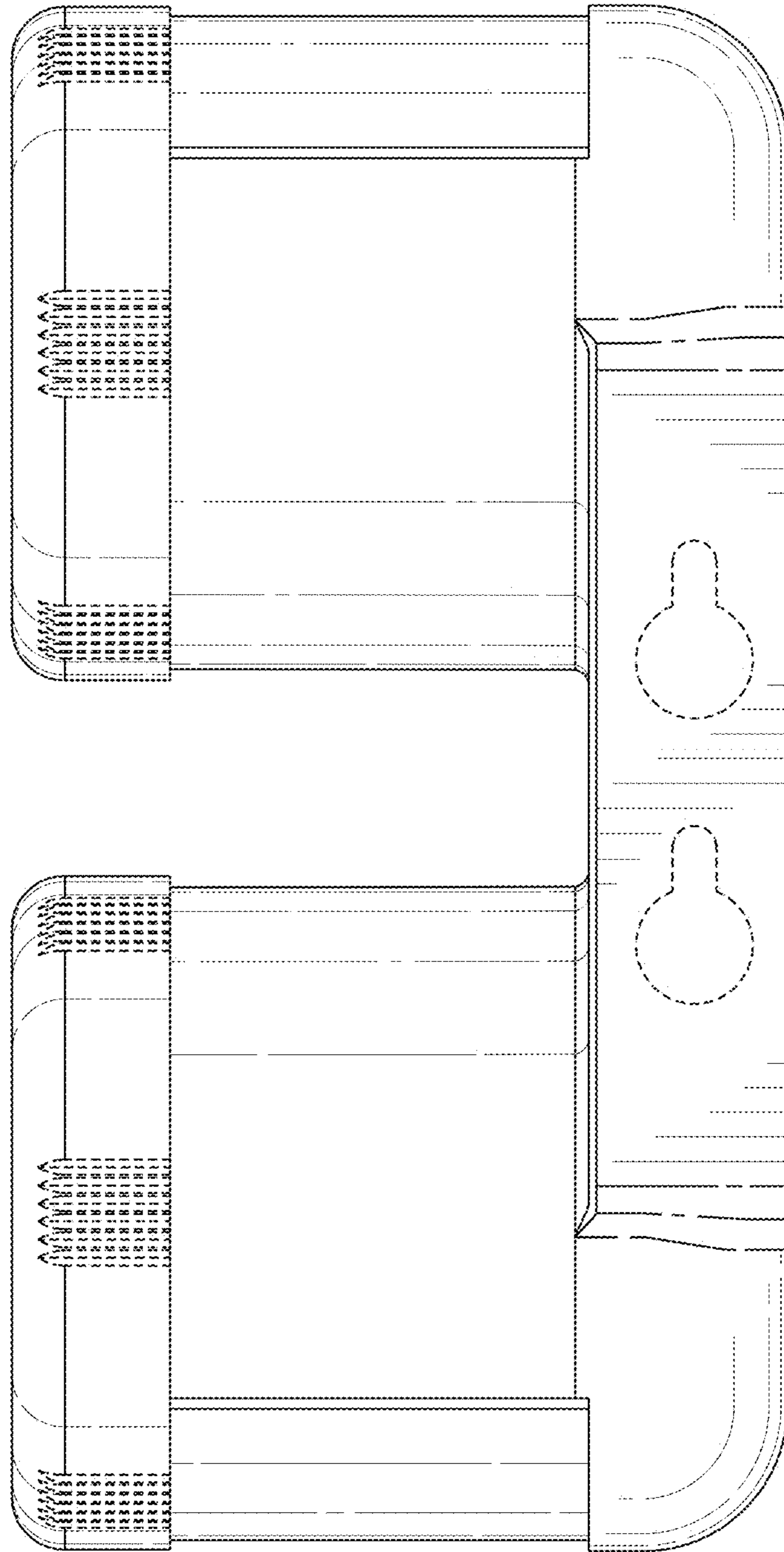


FIG. 14

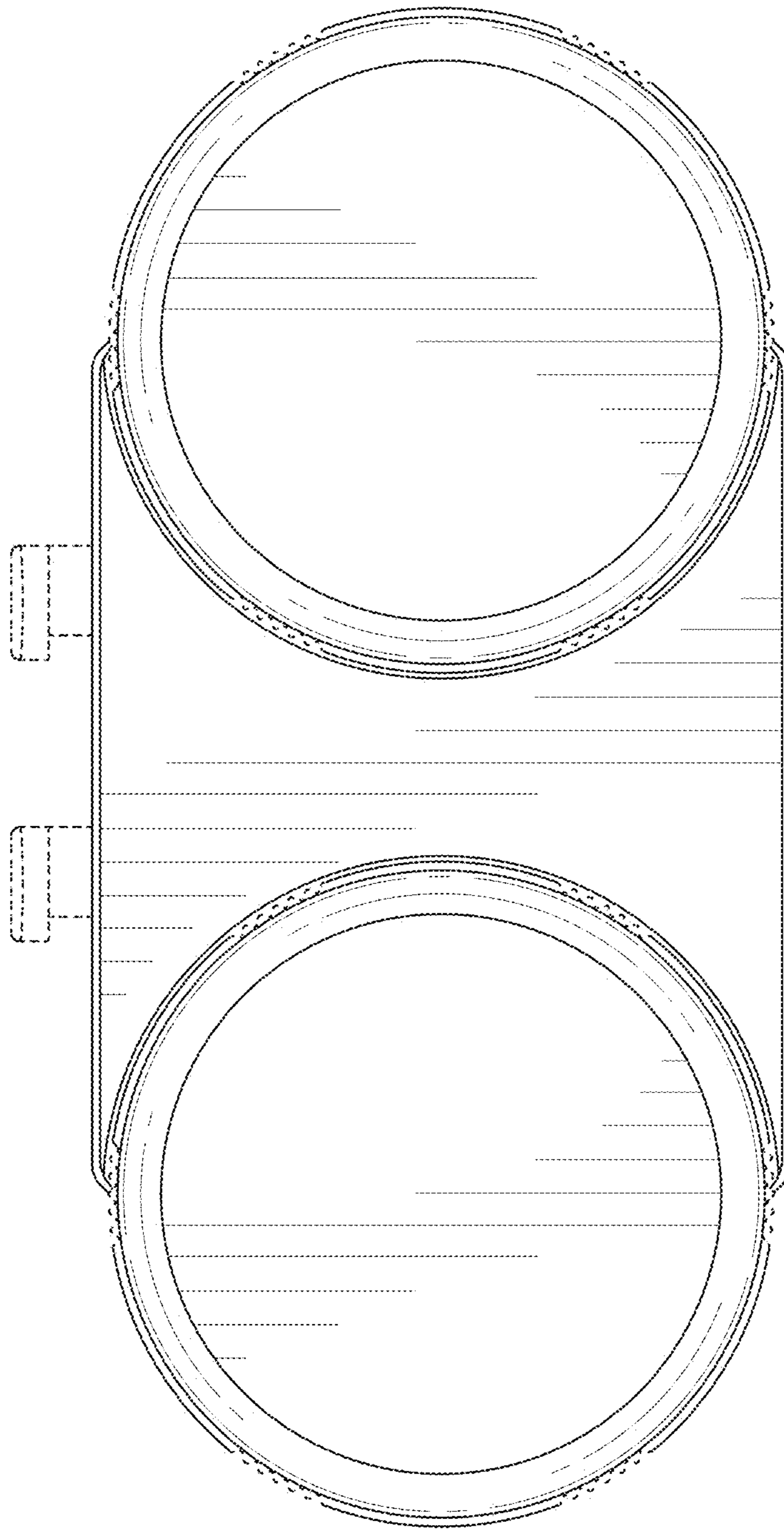


FIG. 15

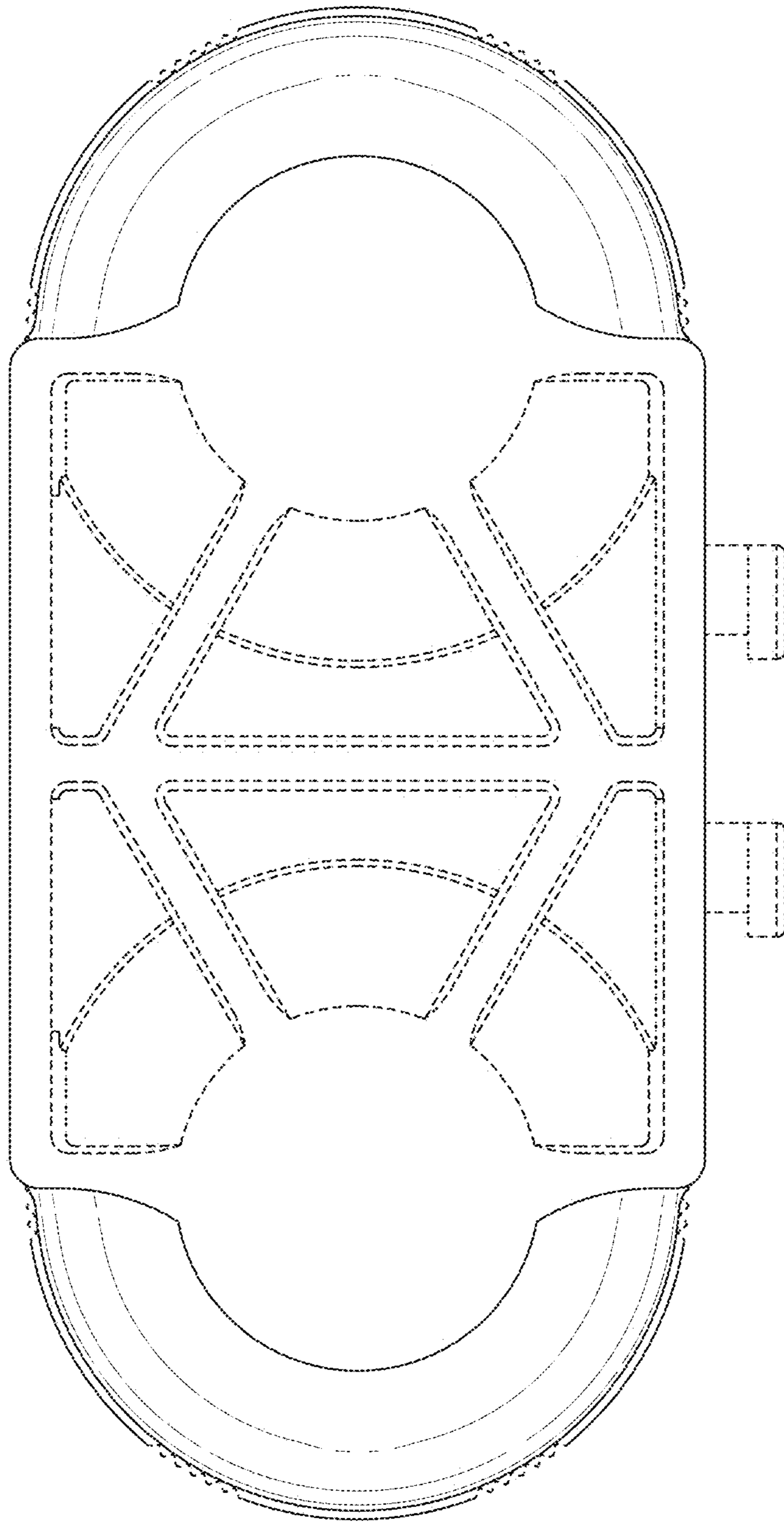


FIG. 16

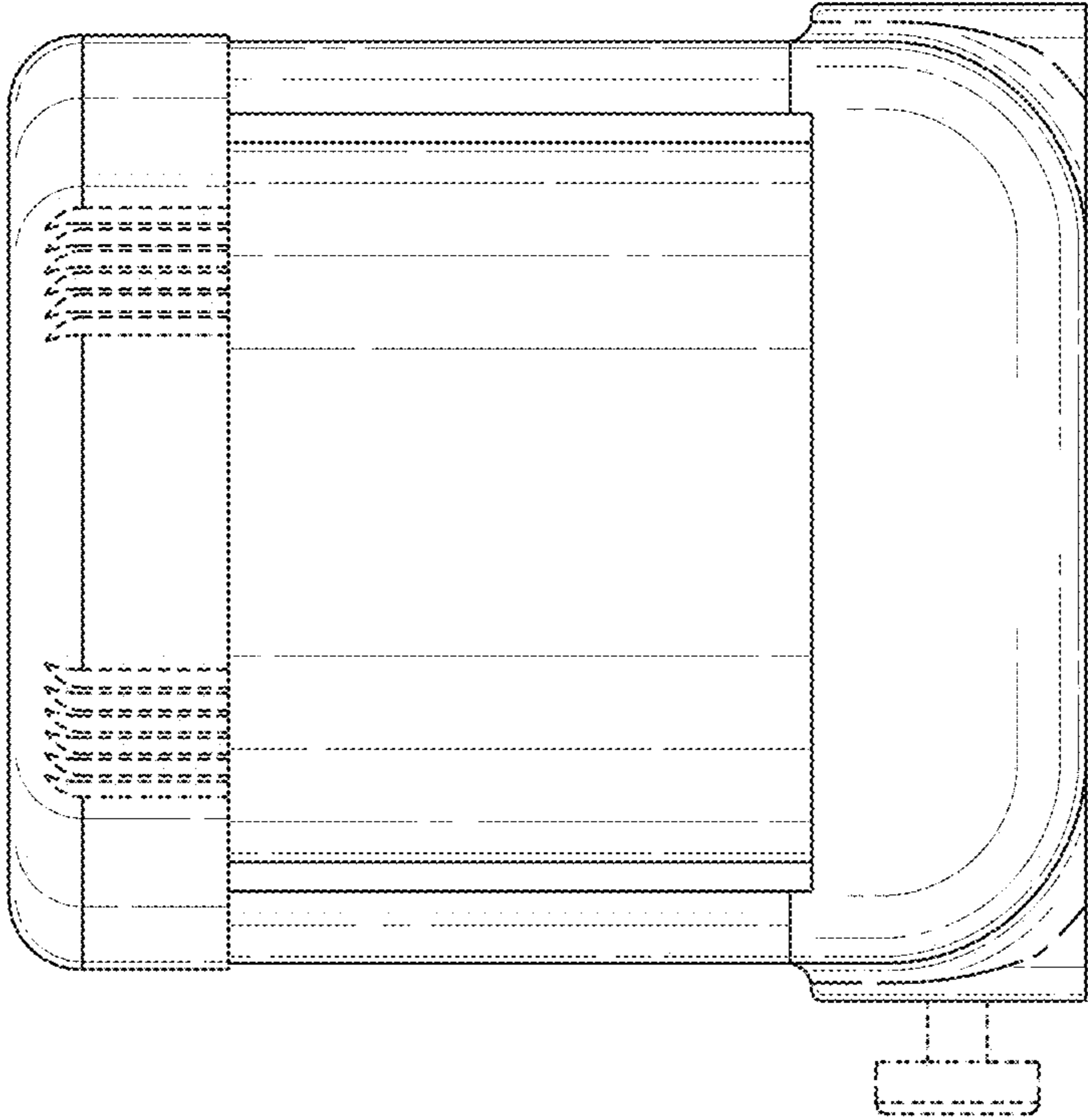


FIG. 17

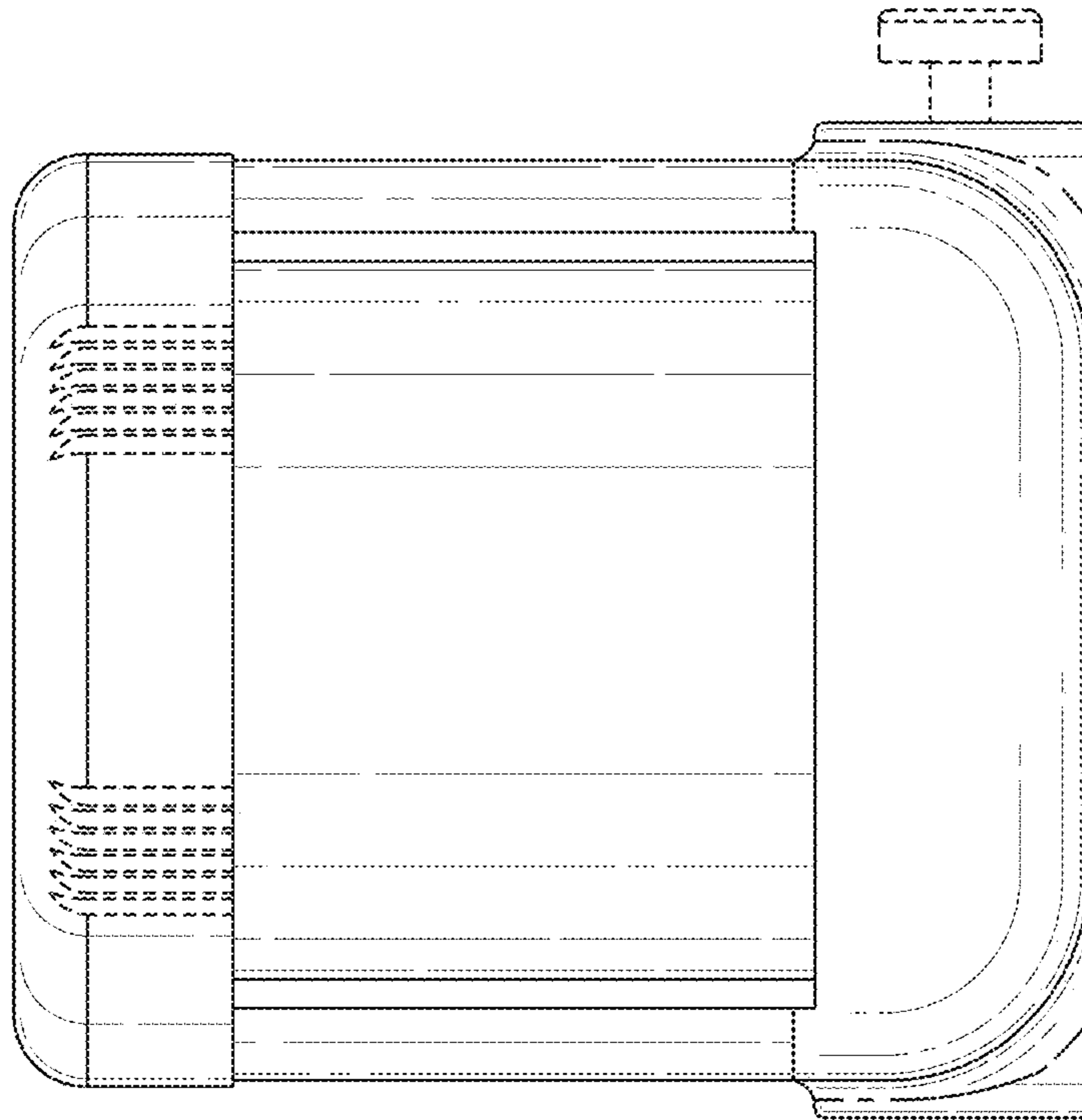
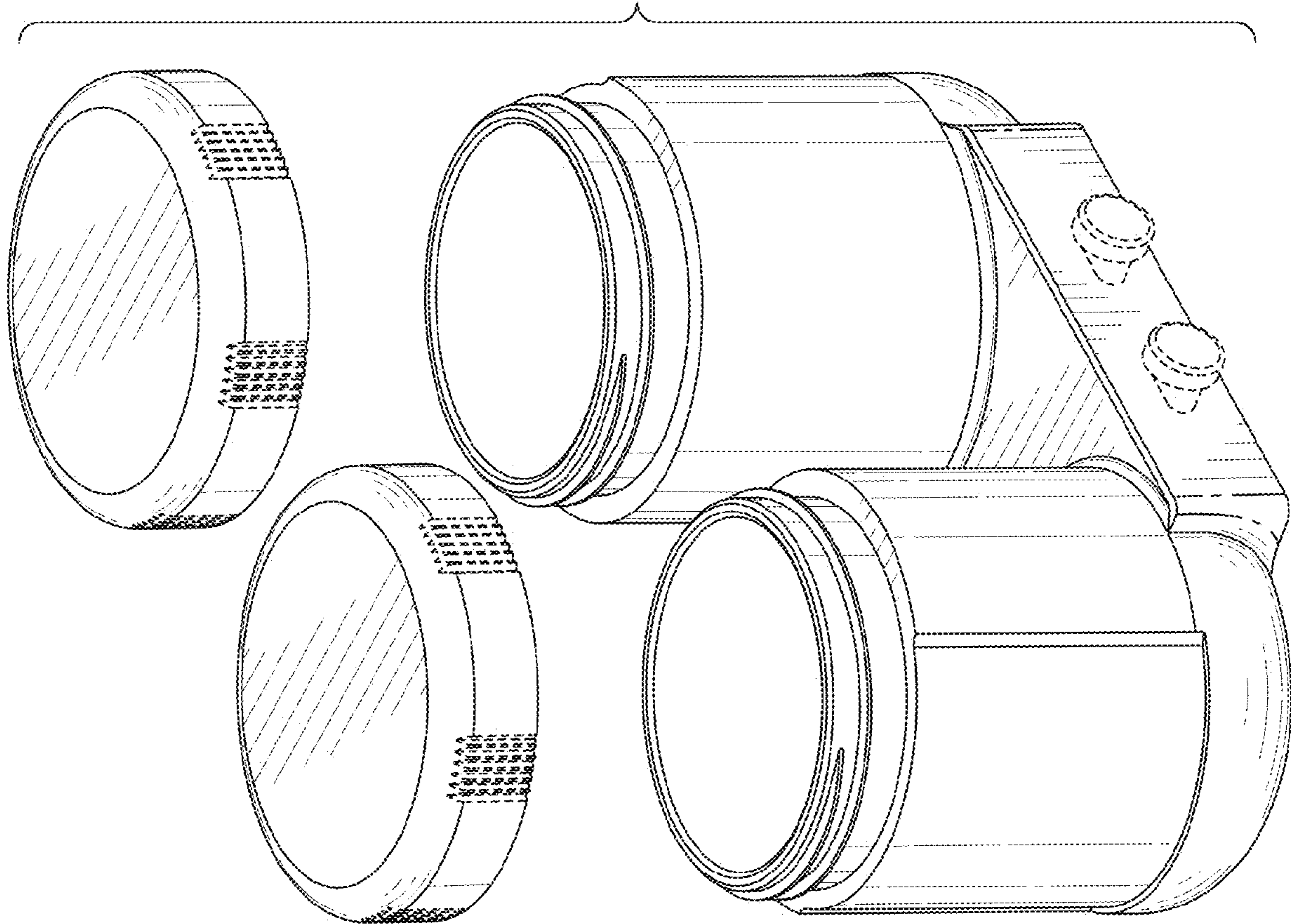


FIG. 18

FIG. 19



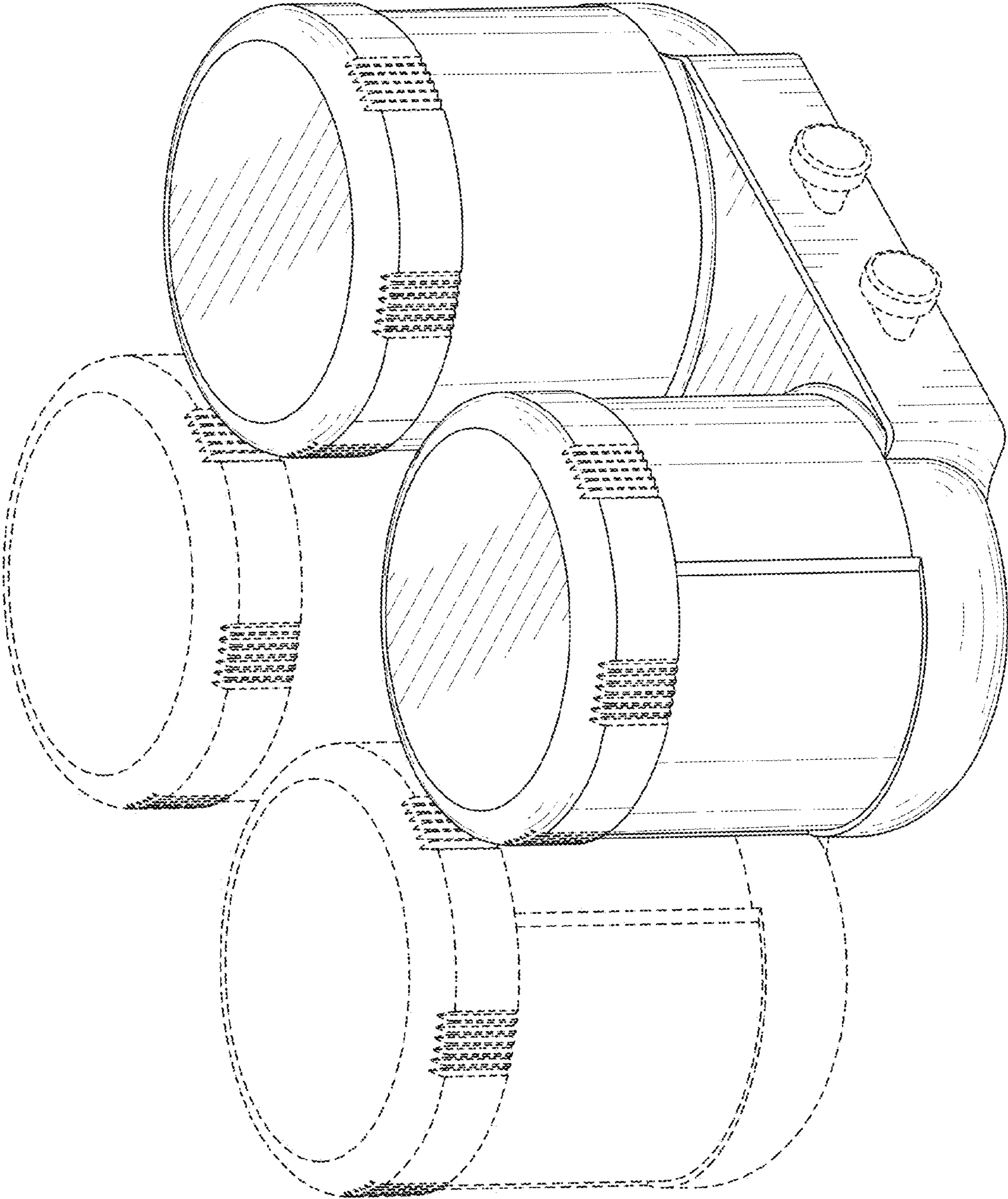


FIG. 20