



US00D897675S

(12) **United States Design Patent**
Chen

(10) **Patent No.:** **US D897,675 S**

(45) **Date of Patent:** **** Oct. 6, 2020**

(54) **GUN CLEANING KIT CASE**

(71) Applicant: **Sheng Chen**, Ningbo (CN)

(72) Inventor: **Sheng Chen**, Ningbo (CN)

(**) Term: **15 Years**

(21) Appl. No.: **29/730,189**

(22) Filed: **Apr. 2, 2020**

(30) **Foreign Application Priority Data**

Mar. 7, 2020 (CN) 2020 3 0074435

(51) **LOC (12) Cl.** **03-01**

(52) **U.S. Cl.**
USPC **D3/262**

(58) **Field of Classification Search**
USPC D3/262, 254, 221-225, 273, 276, 282,
D3/294, 297, 201
CPC A45C 13/02; F41A 29/00; F41A 29/02-04;
B65D 85/00; B25H 3/02
See application file for complete search history.

(56) **References Cited**

U.S. PATENT DOCUMENTS

4,901,464	A *	2/1990	Banoun	F41A 29/00
					206/315.11
D339,470	S *	9/1993	Marks	D3/205
5,394,966	A *	3/1995	Chow	A45C 13/1084
					190/119
D440,043	S *	4/2001	Miller	D3/282
D478,209	S *	8/2003	Chen	D3/282
7,165,673	B2 *	1/2007	Marks	A45C 13/02
					206/373
7,987,626	B2 *	8/2011	Williams	F41A 29/02
					206/223
D667,217	S *	9/2012	Buie, II	D3/262
D672,143	S *	12/2012	Buie, II	D3/262
D672,144	S *	12/2012	Buie, II	D3/262

D672,145	S *	12/2012	Buie, II	D3/262
8,707,607	B2 *	4/2014	Williams	F41A 29/02
					206/362
D716,547	S *	11/2014	Pennington	D3/262
D754,436	S *	4/2016	Ou	D3/282
9,476,664	B2 *	10/2016	Williams	B65D 77/22
D785,938	S *	5/2017	Ou	D3/282
D789,085	S *	6/2017	Jacobson	D3/262
D841,981	S *	3/2019	Kogel	D3/282
10,429,148	B2 *	10/2019	Jacobson	F41A 29/00
D873,011	S *	1/2020	Kao	D3/282
10,612,879	B2 *	4/2020	Jacobson	F41A 29/00
2010/0175296	A1	7/2010	Williams		
2012/0090215	A1 *	4/2012	Buie, II	B25H 3/023
					42/95
2012/0152944	A1 *	6/2012	Vilkomirski	B25H 3/022
					220/4.28
2015/0165617	A1 *	6/2015	Chern	B25H 3/02
					206/374

* cited by examiner

Primary Examiner — Mitchell I. Siegel

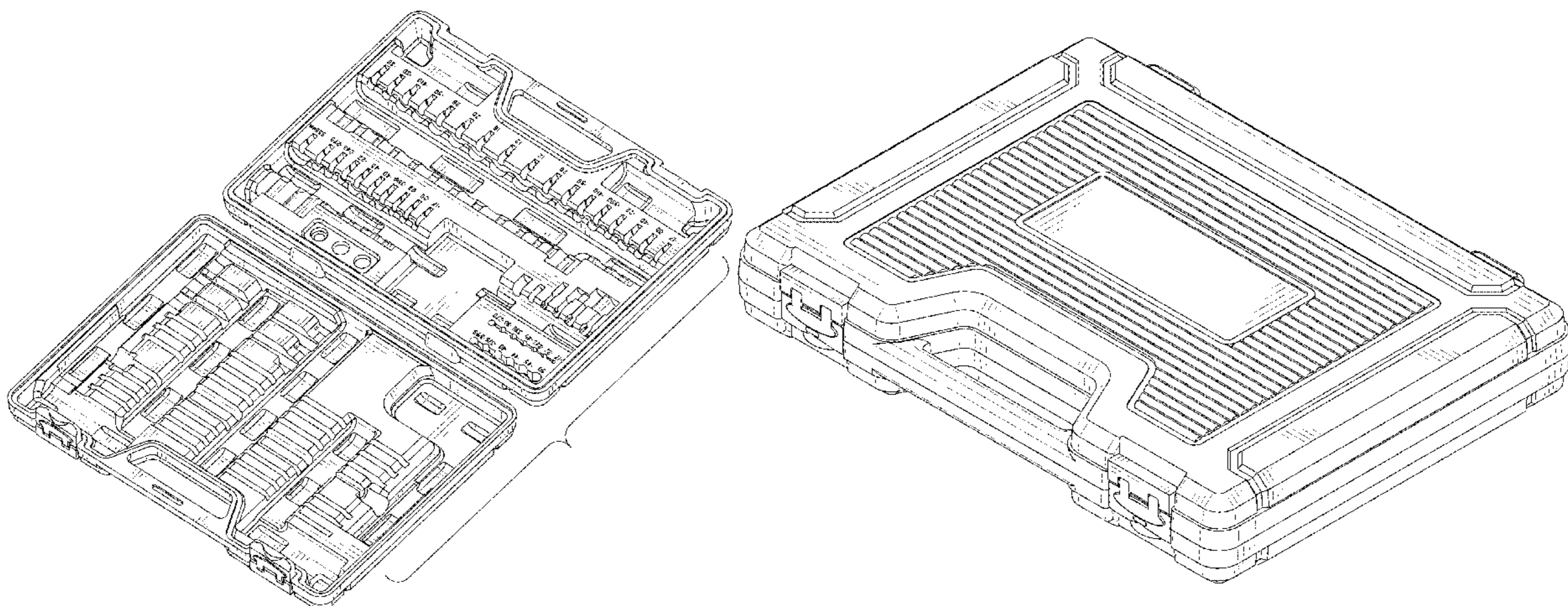
(57) **CLAIM**

The ornamental design for a gun cleaning kit case, as shown and described.

DESCRIPTION

FIG. 1 is a perspective view of a gun cleaning kit case showing my new design;
 FIG. 2 is another perspective view thereof;
 FIG. 3 is a front elevational view thereof;
 FIG. 4 is a rear elevational view thereof;
 FIG. 5 is a left side elevational view thereof;
 FIG. 6 is a right side elevational view thereof;
 FIG. 7 is a top plan view thereof;
 FIG. 8 is a bottom plan view thereof;
 FIG. 9 is a perspective view of the gun cleaning kit case where the gun cleaning kit case is in a closed state; and,
 FIG. 10 is an enlarged view of portion 10 shown in FIG. 2.

1 Claim, 10 Drawing Sheets



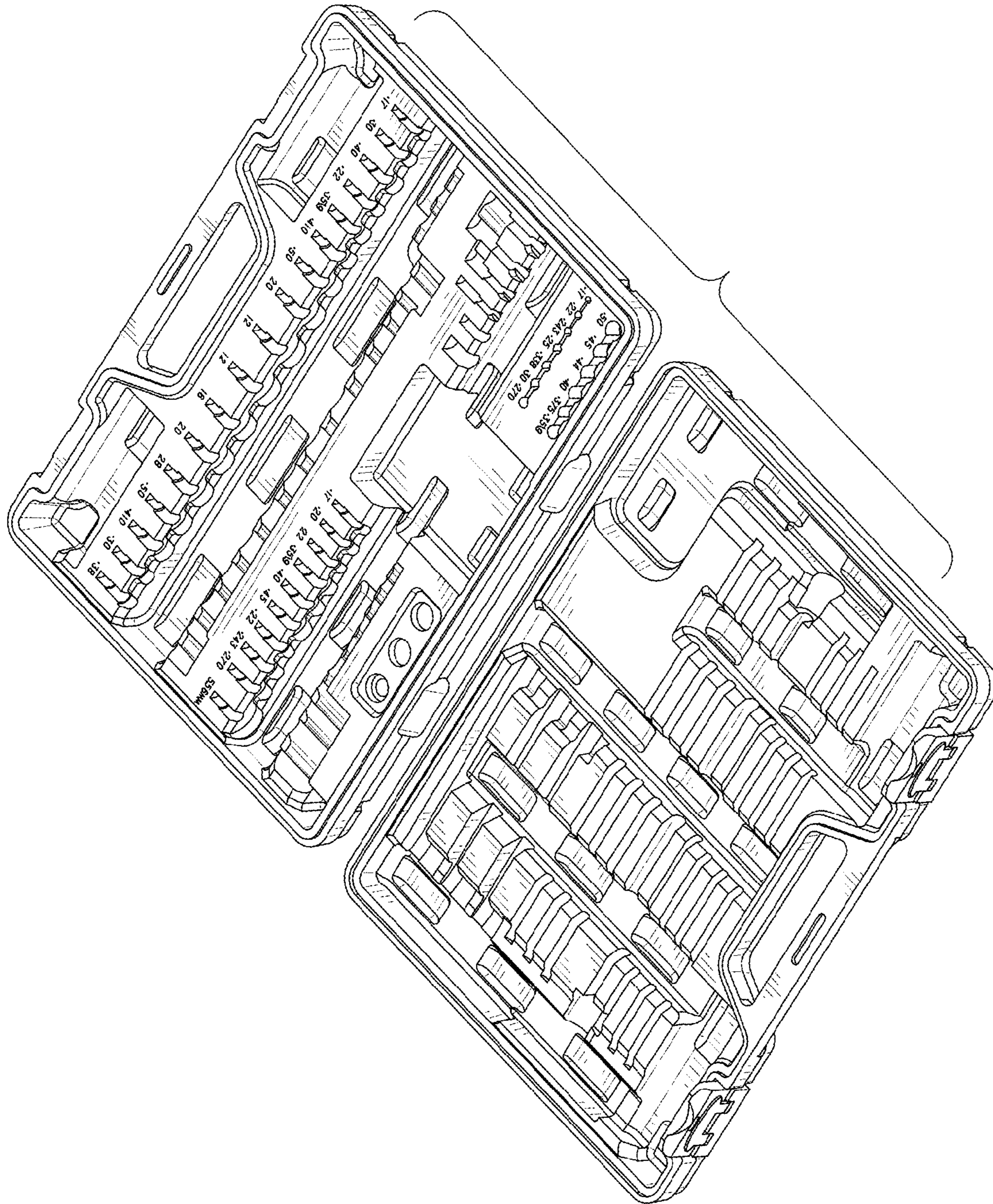


FIG. 1

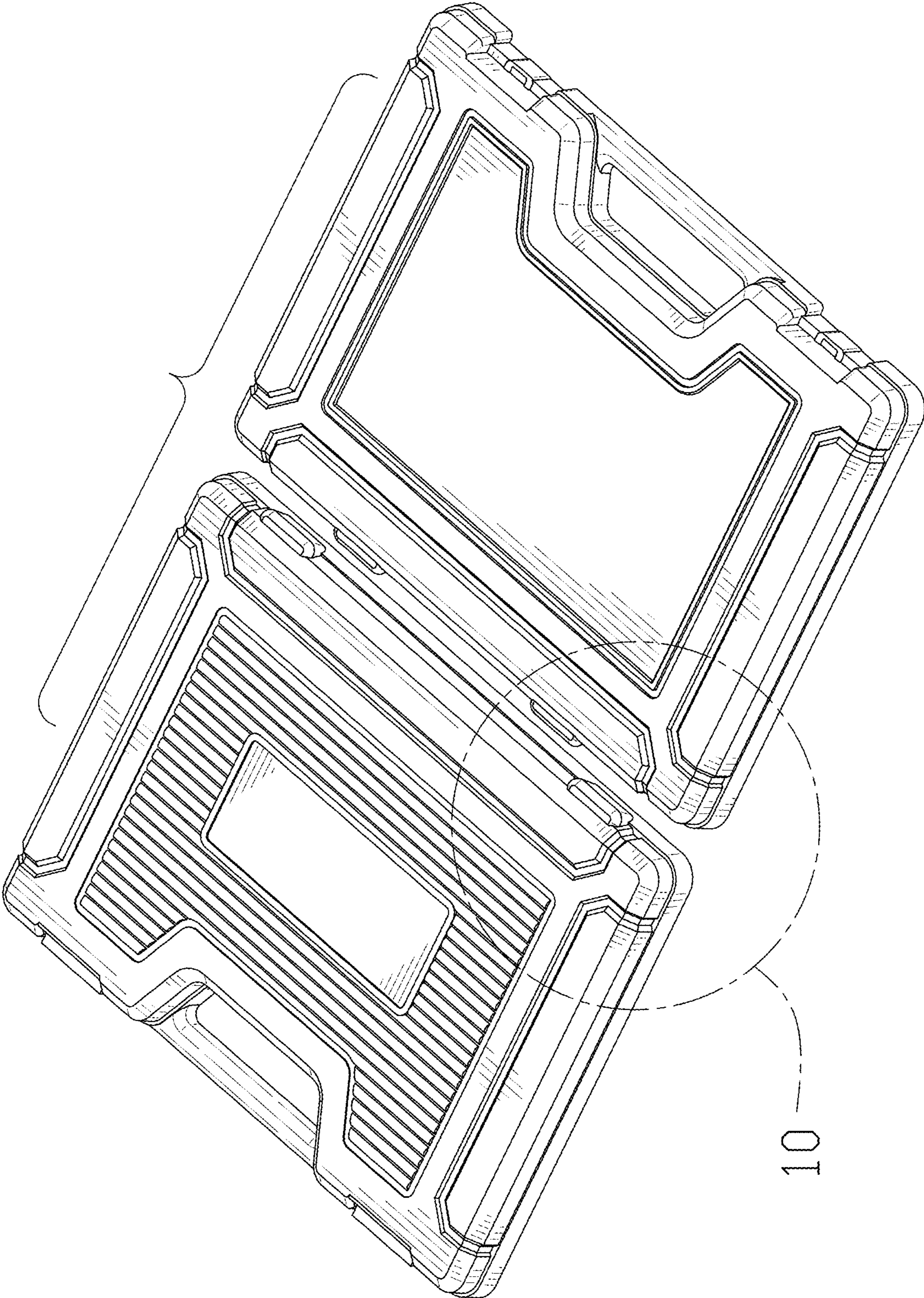


FIG. 2

10

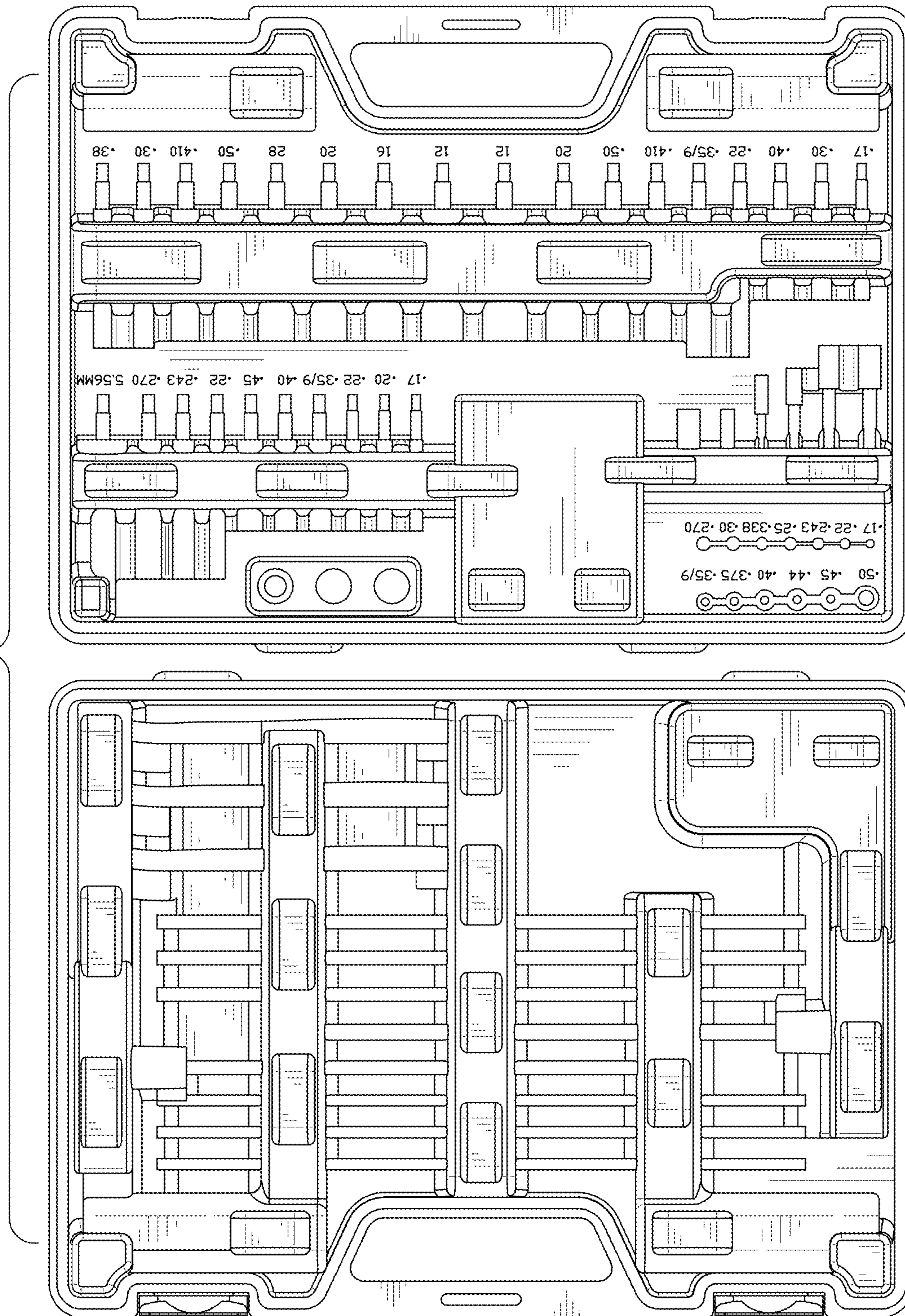


FIG. 3

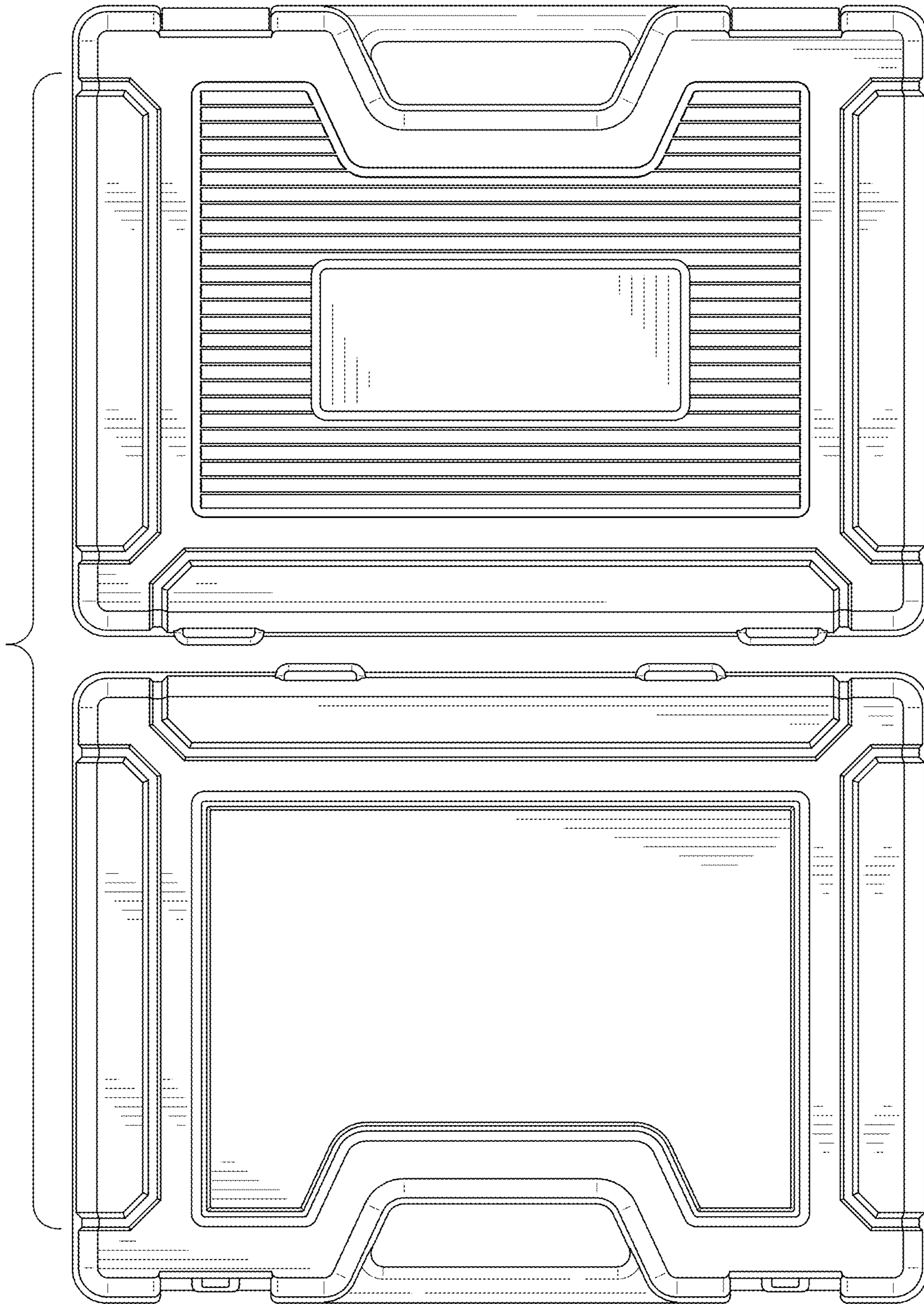


FIG. 4

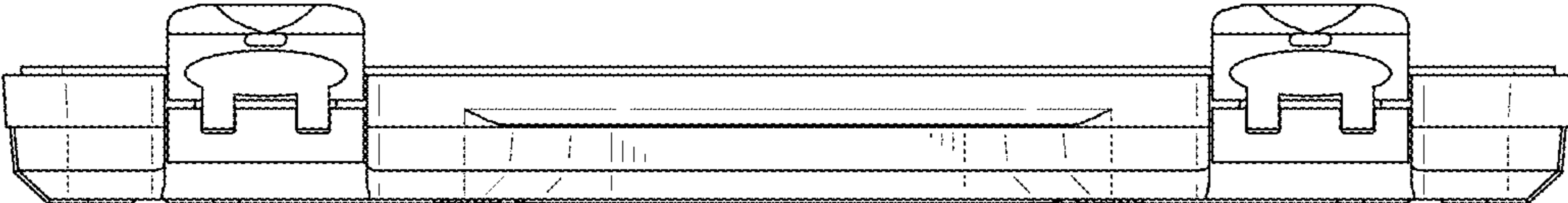


FIG. 5

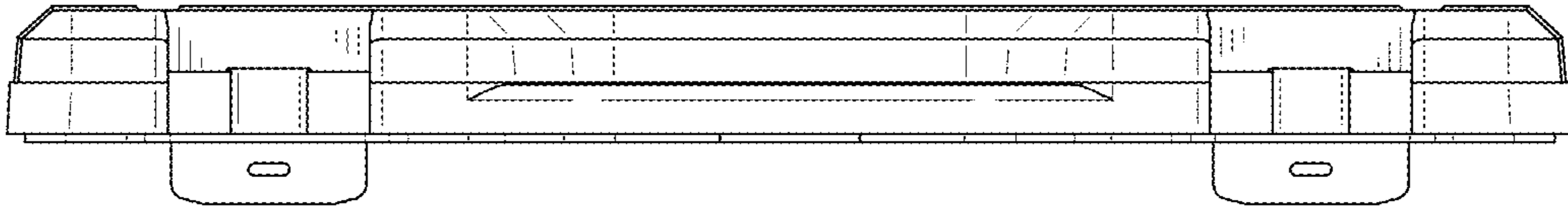


FIG. 6

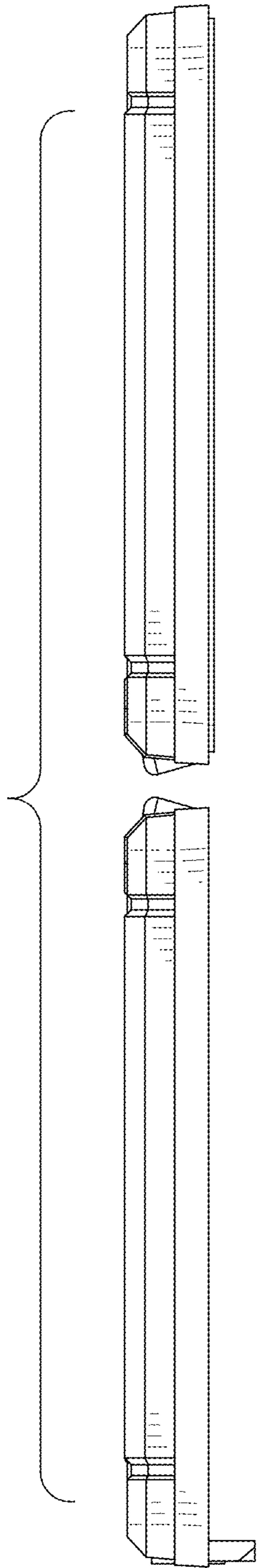


FIG. 7

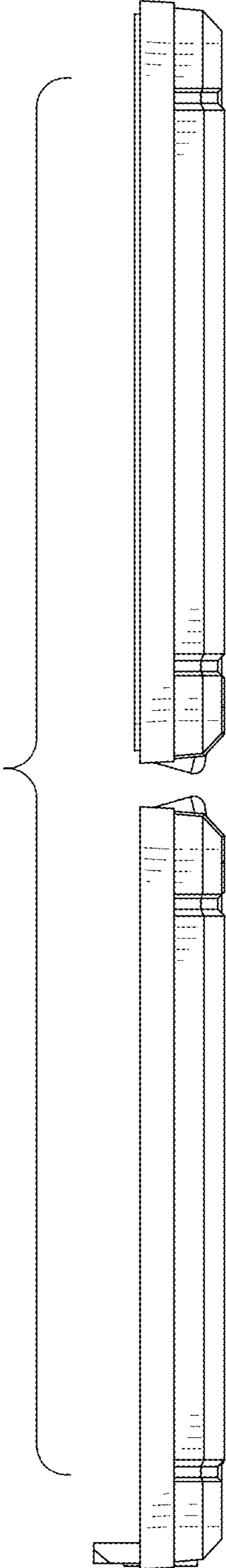


FIG. 8

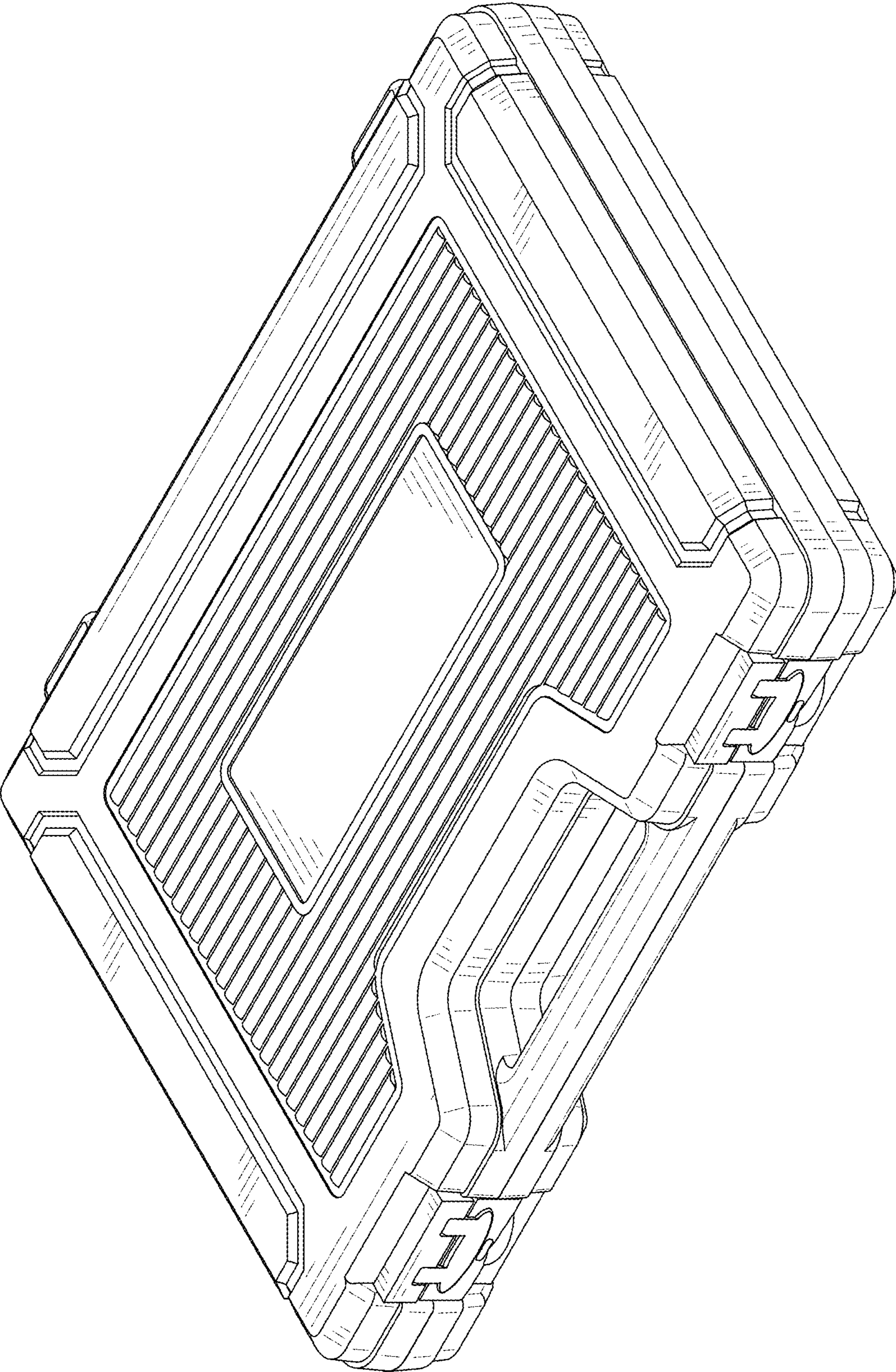


FIG. 9

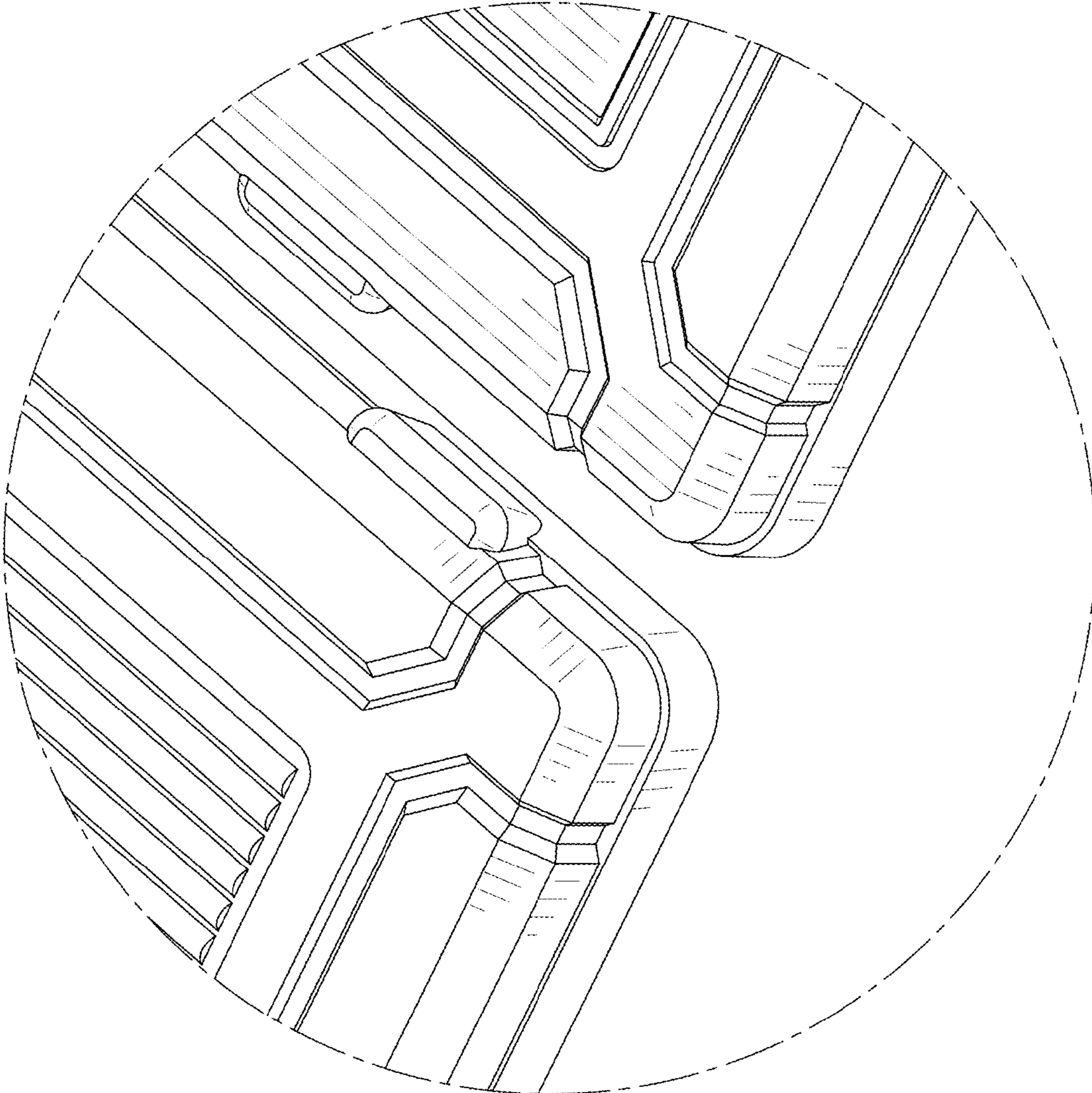


FIG. 10