



US00D897674S

(12) **United States Design Patent** (10) **Patent No.:** **US D897,674 S**
Su (45) **Date of Patent:** **** Oct. 6, 2020**

(54) **TOY GOLF CLUB CADDY**
(71) Applicant: **TAIWAN JOCA CORP.**, Taipei (TW)
(72) Inventor: **Tsang-Sheng Su**, Taipei (TW)
(73) Assignee: **TAIWAN JOCA CORP.**, Taipei (TW)
(**) Term: **15 Years**
(21) Appl. No.: **29/677,863**

(22) Filed: **Jan. 24, 2019**
(51) **LOC (12) Cl.** **03-01**
(52) **U.S. Cl.**
USPC **D3/255**; D21/483
(58) **Field of Classification Search**
USPC D21/398, 483, 789, 796, 419, 421-427;
D3/255, 271.9, 279, 315, 320, 328.1;
D9/668; D7/515, 301, 604, 666;
D34/13, 15, 24; 446/75, 76, 78, 431,
446/450-452
CPC A63H 33/007; A63H 33/30; A63H 33/42;
B62B 2202/404; A63B 55/00; A63B
55/30; A63B 55/40; A63B 55/60
See application file for complete search history.

(56) **References Cited**

U.S. PATENT DOCUMENTS

D217,565 S * 5/1970 Renshaw D3/327
5,029,883 A * 7/1991 Derito B62B 1/14
280/35
5,074,577 A * 12/1991 Kim B62B 1/045
280/646
D394,950 S * 6/1998 Kite D3/255
D468,098 S * 1/2003 Lu D3/255
D641,977 S * 7/2011 Udwin D3/254
D646,055 S * 10/2011 Dylina D3/255

D727,021 S * 4/2015 Chanlynn D3/255
D754,435 S * 4/2016 Maguire D3/255
D764,794 S * 8/2016 Su D3/255
D764,795 S * 8/2016 Su D3/255
D765,396 S * 9/2016 Su D3/255
2007/0252353 A1 * 11/2007 Sokol A63B 55/60
280/47.26
2010/0176012 A1 * 7/2010 Carter A63B 55/00
206/315.7
2018/0022411 A1 * 1/2018 Kistemaker B62K 21/00
180/208

FOREIGN PATENT DOCUMENTS

EP 1078657 A1 * 2/2001 B26B 1/047

* cited by examiner

Primary Examiner — Catherine A Tuttle

(74) *Attorney, Agent, or Firm* — Kirton McConkie; Evan R. Witt

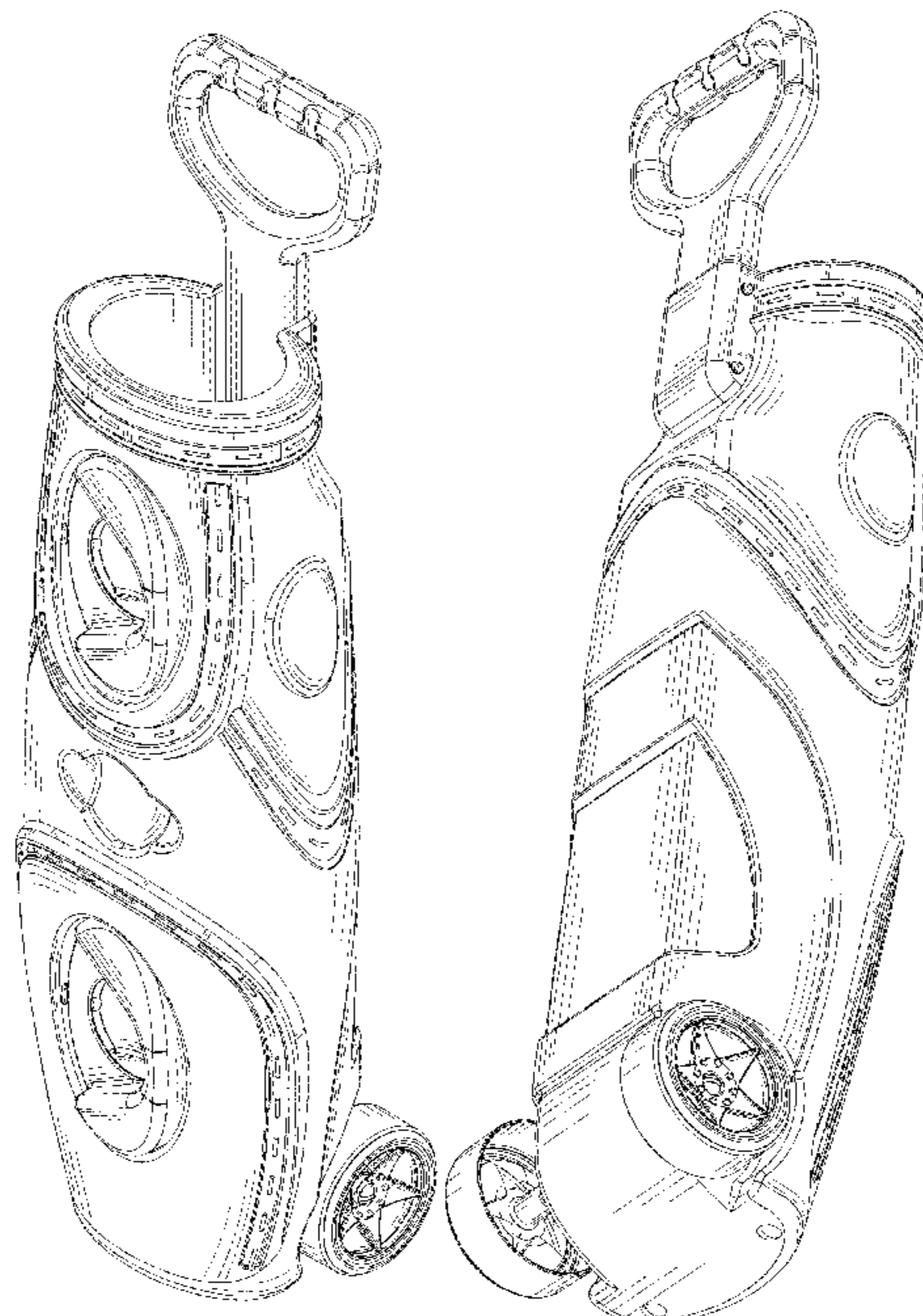
(57) **CLAIM**

The ornamental design for a toy golf club caddy, as shown.

DESCRIPTION

FIG. 1 is a front perspective view of a toy golf club caddy showing my new design;
FIG. 2 is a rear perspective view thereof;
FIG. 3 is a front elevational view thereof;
FIG. 4 is a rear elevational view thereof;
FIG. 5 is a left side elevational view thereof;
FIG. 6 is a right side elevational view thereof;
FIG. 7 is a top plan view thereof; and,
FIG. 8 is a bottom plan view thereof.
The appearance within the unshaded central region of FIG. 7 forms no part of the claimed design.

1 Claim, 7 Drawing Sheets



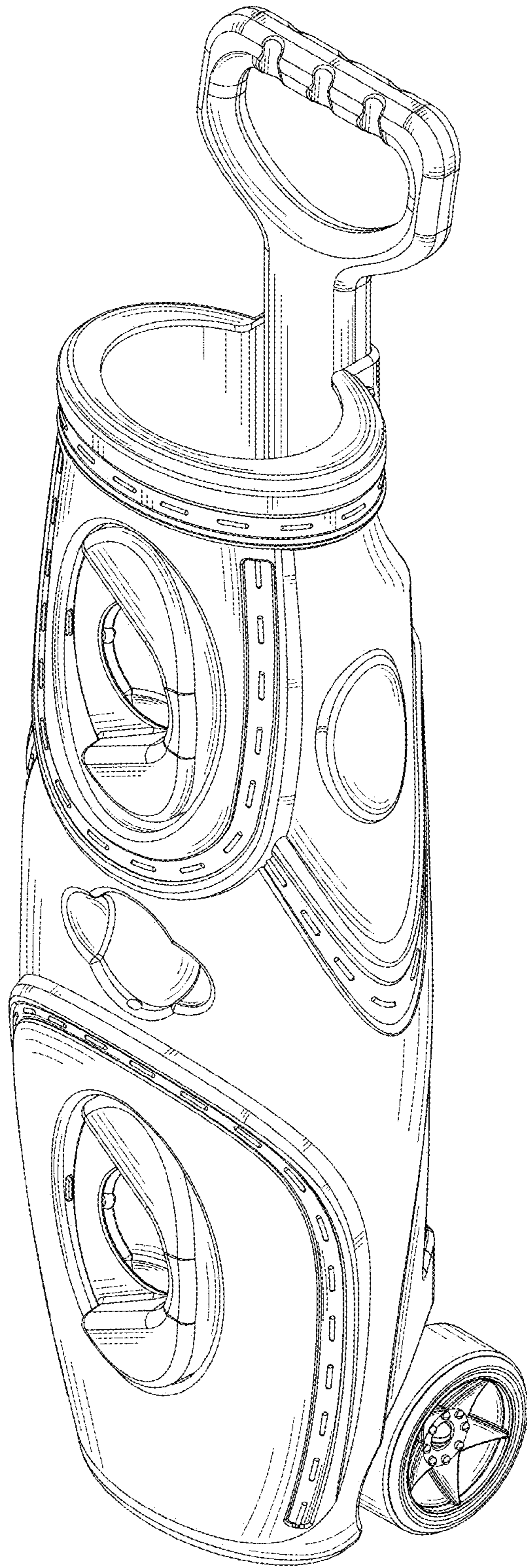


FIG. 1

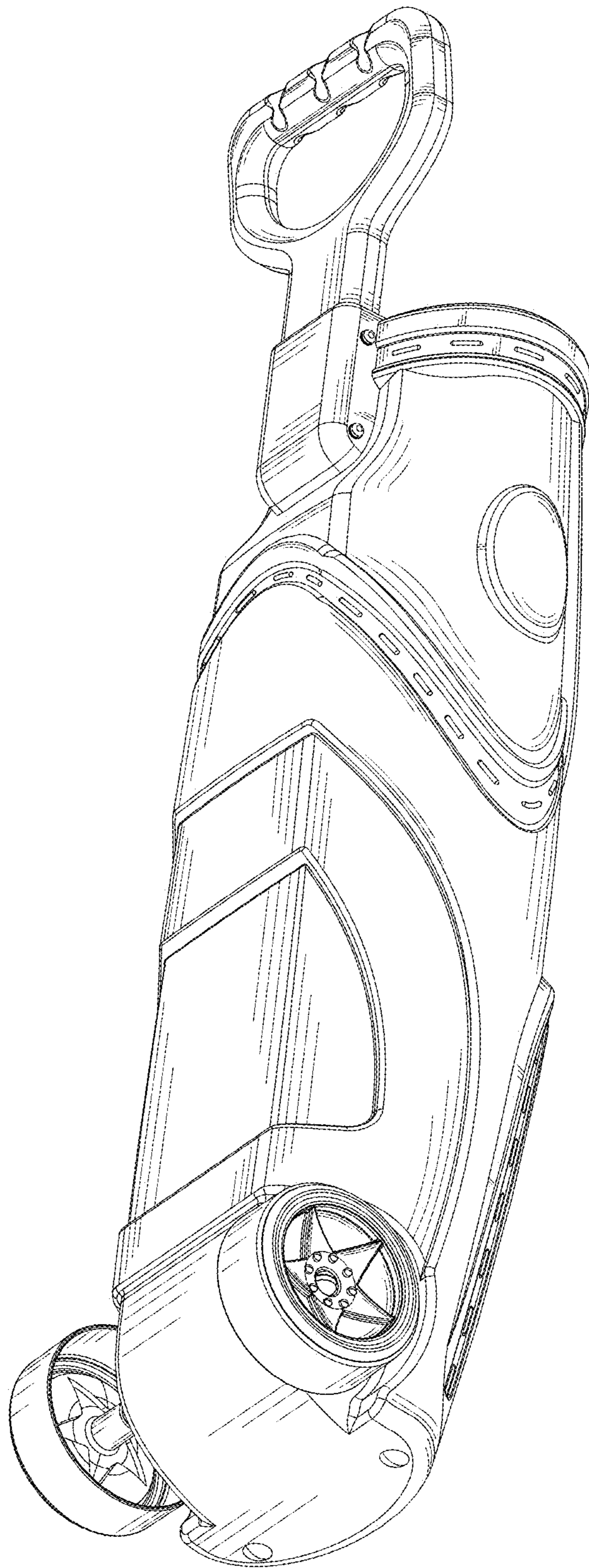


FIG. 2

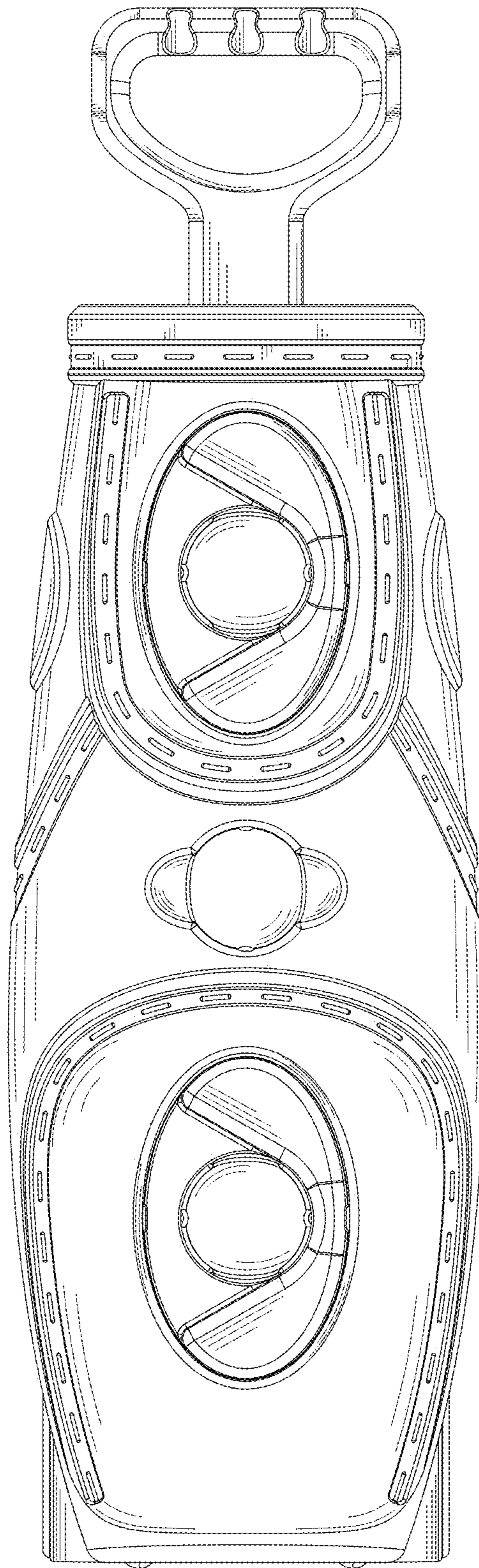


FIG. 3

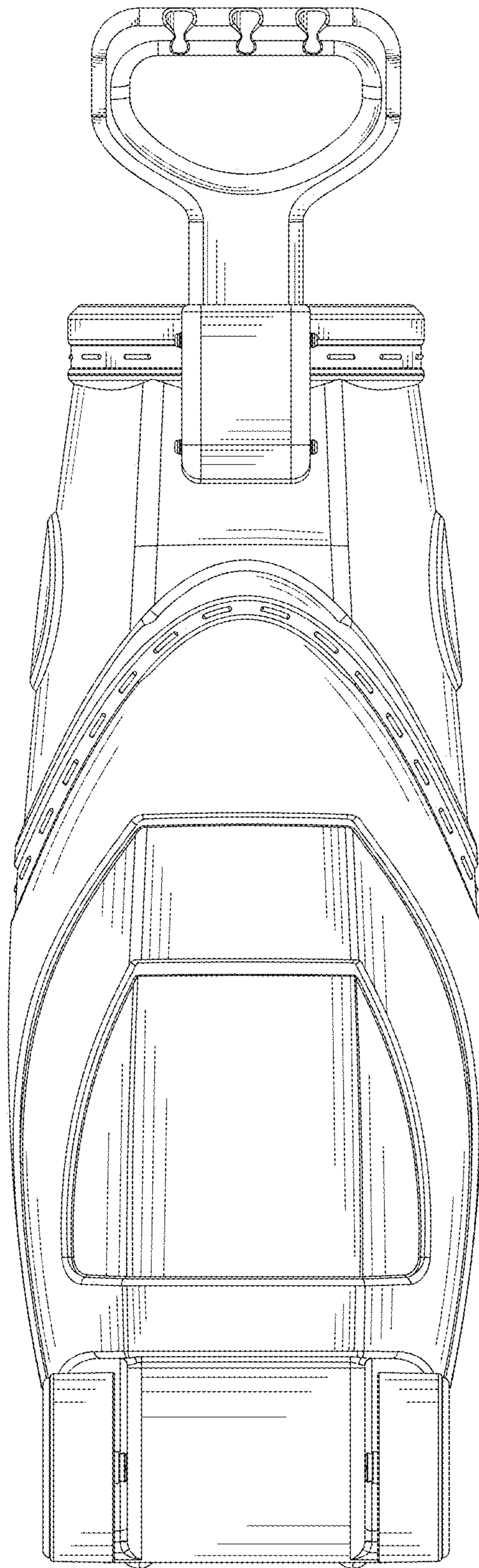


FIG. 4

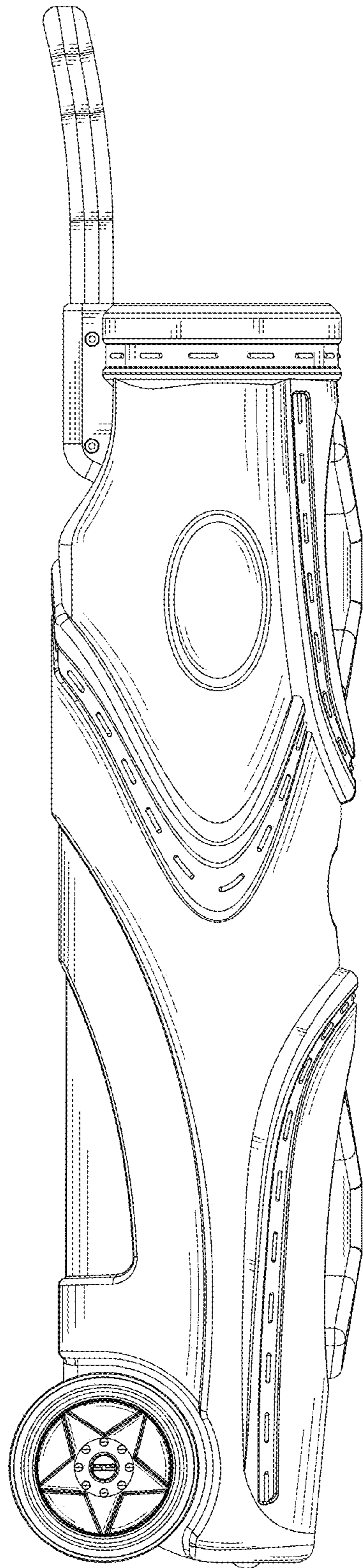


FIG. 5

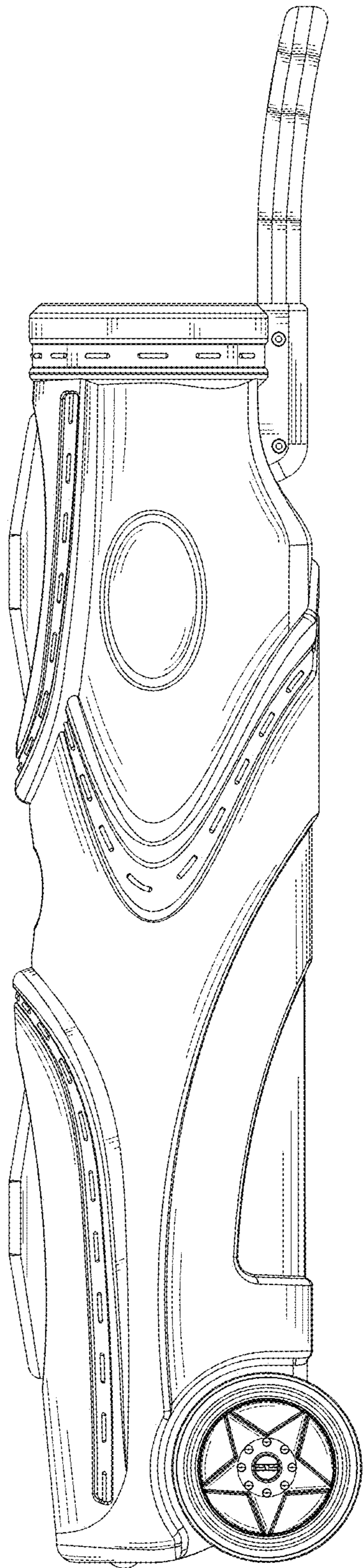


FIG. 6

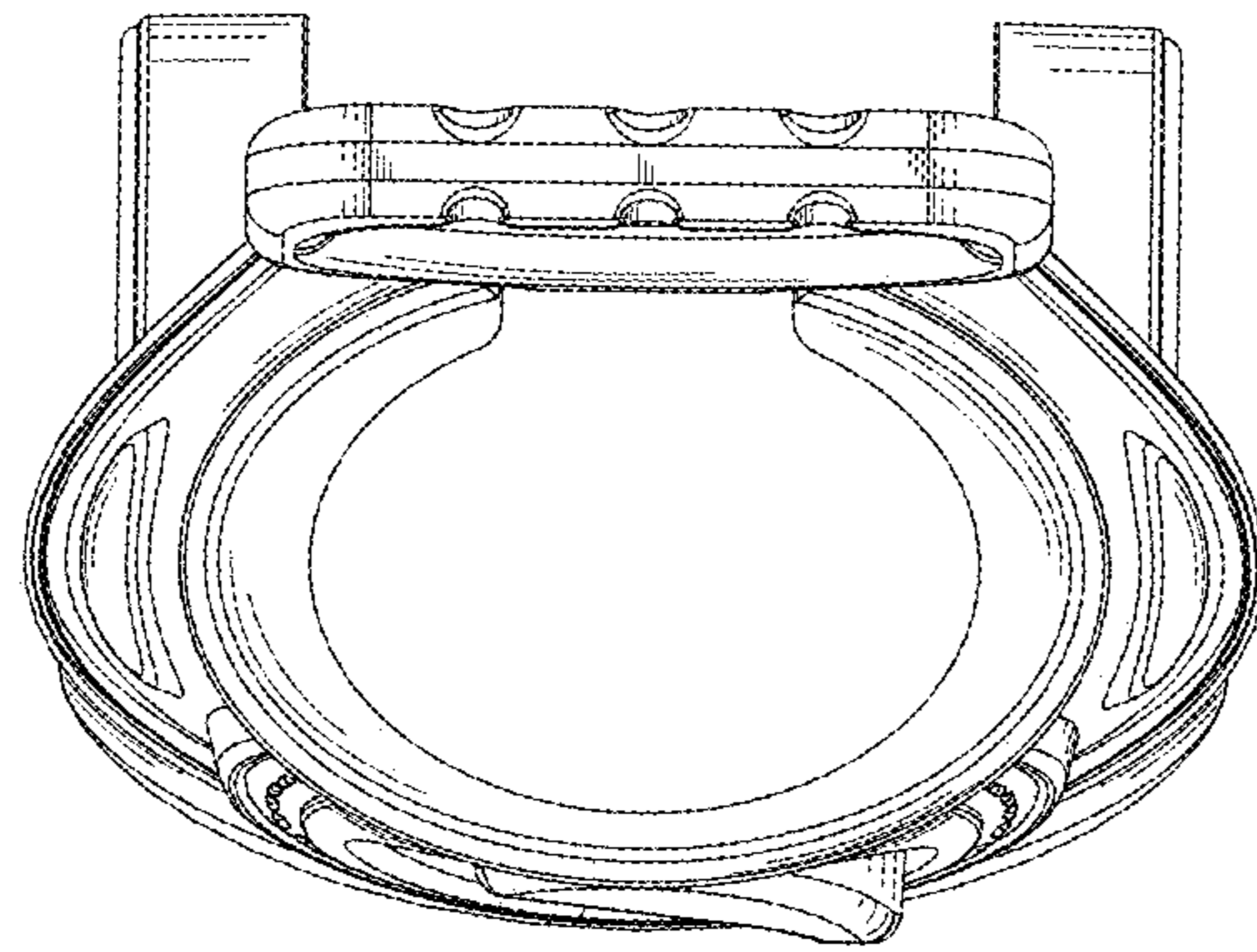


FIG. 7

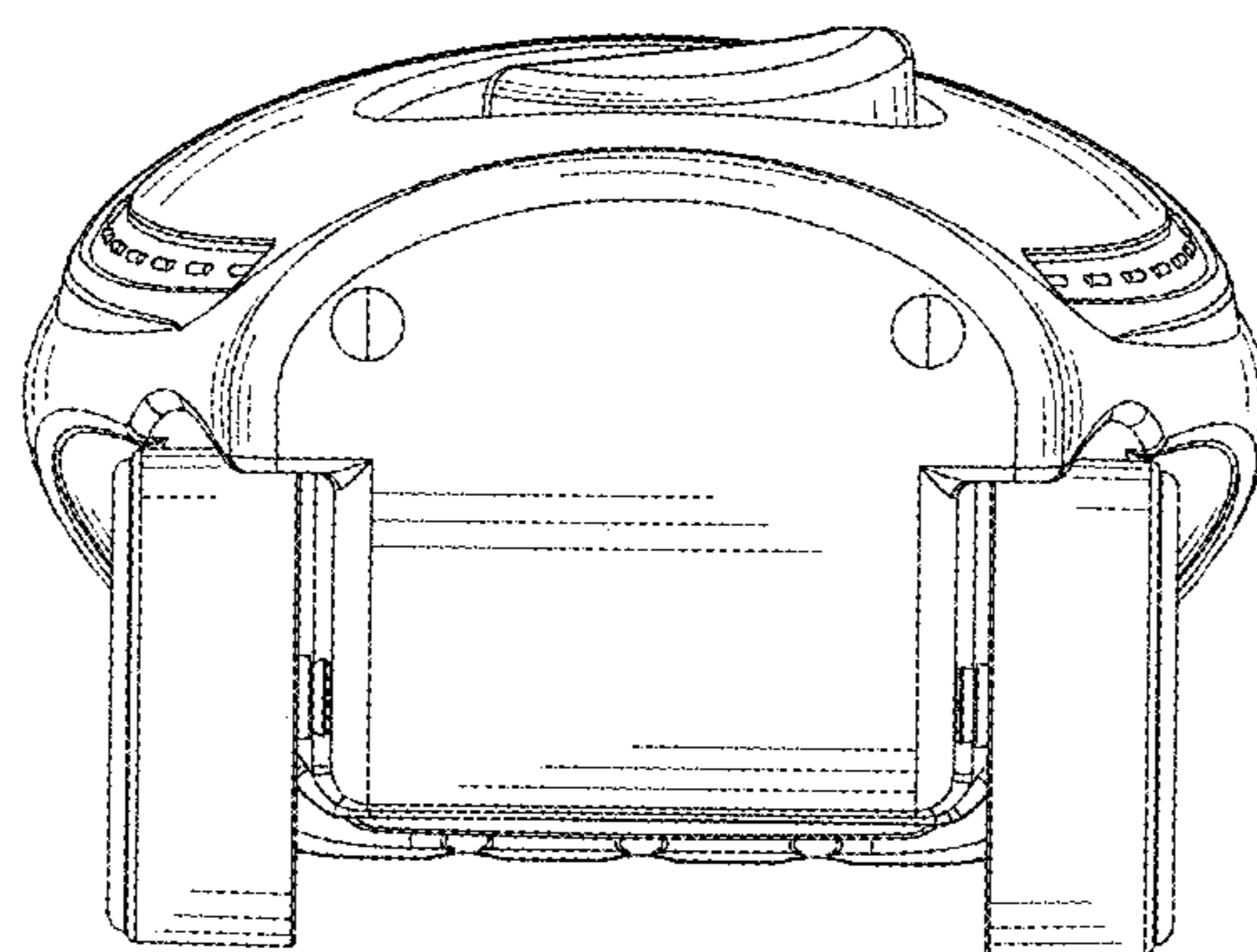


FIG. 8