



US00D897673S

(12) **United States Design Patent**
O’Connell

(10) **Patent No.:** **US D897,673 S**

(45) **Date of Patent:** **** Oct. 6, 2020**

- (54) **POOL CUE CASE**
- (71) Applicant: **Eugene Francis O’Connell**, Palmdale, CA (US)
- (72) Inventor: **Eugene Francis O’Connell**, Palmdale, CA (US)
- (**) Term: **15 Years**
- (21) Appl. No.: **29/674,525**
- (22) Filed: **Dec. 21, 2018**
- (51) **LOC (12) Cl.** **03-01**
- (52) **U.S. Cl.**
USPC **D3/254**
- (58) **Field of Classification Search**
USPC D3/201, 204, 254, 272, 273, 276, 283, D3/284, 294
CPC A63D 15/10; G10G 7/005; A63C 11/023; A63C 11/00
See application file for complete search history.

D575,057	S	*	8/2008	Lucas	D3/254
D575,058	S	*	8/2008	Lucas	D3/254
D575,507	S	*	8/2008	Lucas	D3/254
7,637,376	B2	*	12/2009	Silva	A63D 15/10 206/315.1
D727,020	S	*	4/2015	Kliot	D3/254
D729,516	S	*	5/2015	Kliot	D3/254
D758,725	S	*	6/2016	Lin	D3/254
2003/0111369	A1	*	6/2003	Markowitz, Jr.	A63D 15/10 206/315.1
2006/0196791	A1	*	9/2006	Evans	A63D 15/10 206/315.1
2006/0289319	A1	*	12/2006	Lin	A45C 13/02 206/315.1
2007/0158509	A1	*	7/2007	Hubbell	A63D 15/10 248/171

* cited by examiner

Primary Examiner — Mitchell I. Siegel
(74) *Attorney, Agent, or Firm* — Plager Schack LLP;
Mark H. Plager; Michael J. O’Brien

(57) **CLAIM**

An ornamental design for a pool cue case, as shown and described.

DESCRIPTION

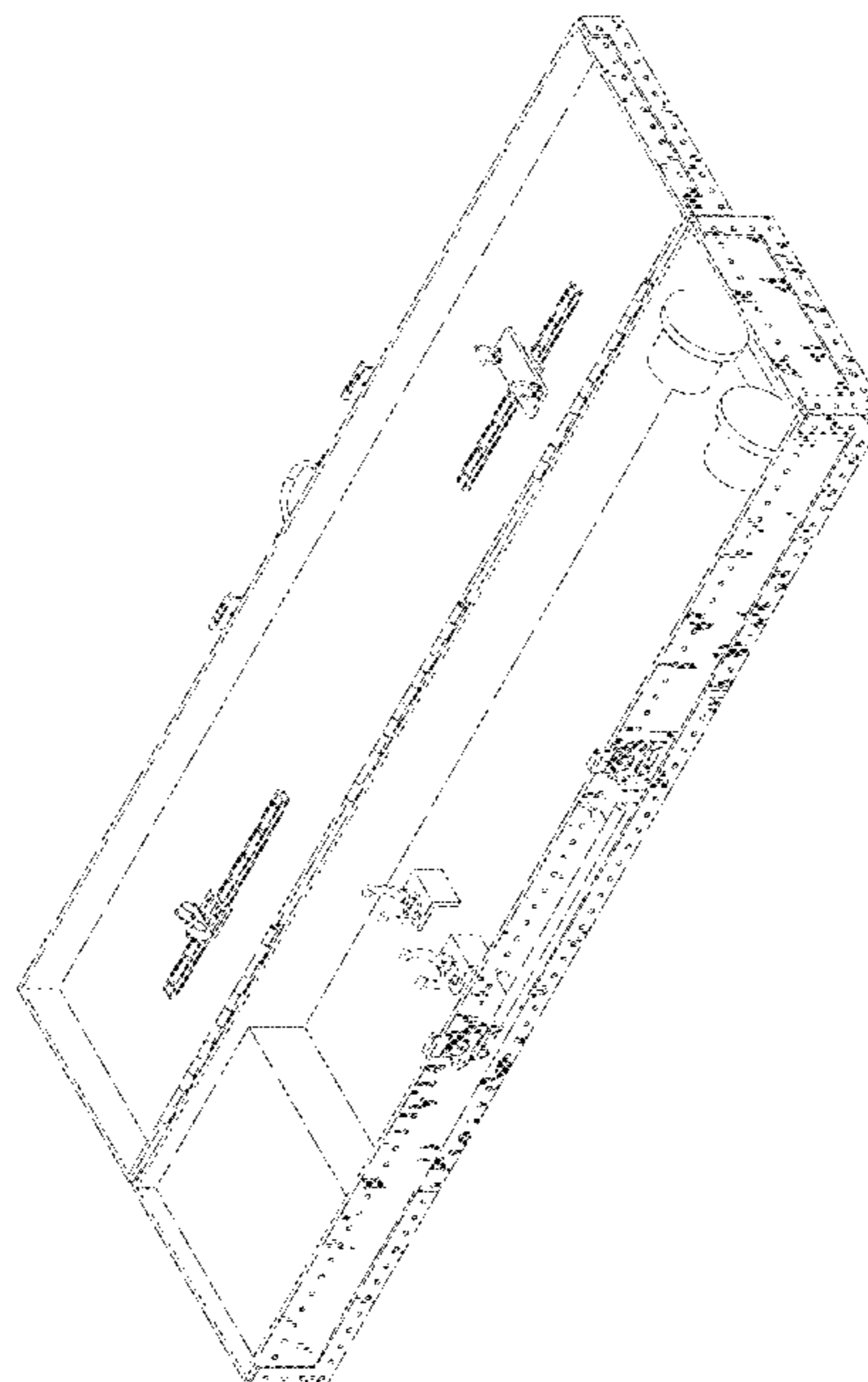
FIG. 1 is a front perspective view of a new design for a pool cue case;
FIG. 2 is a top view thereof;
FIG. 3 is a front view thereof;
FIG. 4 is a rear view thereof;
FIG. 5 is a bottom view thereof;
FIG. 6 is a left thereof; and,
FIG. 7 is a right view thereof.
The broken lines shown in the drawings are included for the purpose of illustrating unclaimed subject matter and forms no part of the claimed design.

1 Claim, 7 Drawing Sheets

(56) **References Cited**

U.S. PATENT DOCUMENTS

1,879,029	A	*	9/1932	Baumgard	B65D 5/5206 206/45.21
D271,162	S	*	11/1983	Evans	D3/254
4,915,332	A	*	4/1990	Ouellette	A63D 15/10 211/172
5,248,030	A	*	9/1993	Tarozzi	A45C 11/24 206/1.7
6,364,100	B1	*	4/2002	Leibeck	A45C 11/24 206/443
D465,325	S	*	11/2002	Lin	D3/254
D509,956	S	*	9/2005	Lin	D3/254
7,044,297	B2	*	5/2006	Terrell	A01K 97/08 190/102
D530,085	S	*	10/2006	Quinnan	D3/260



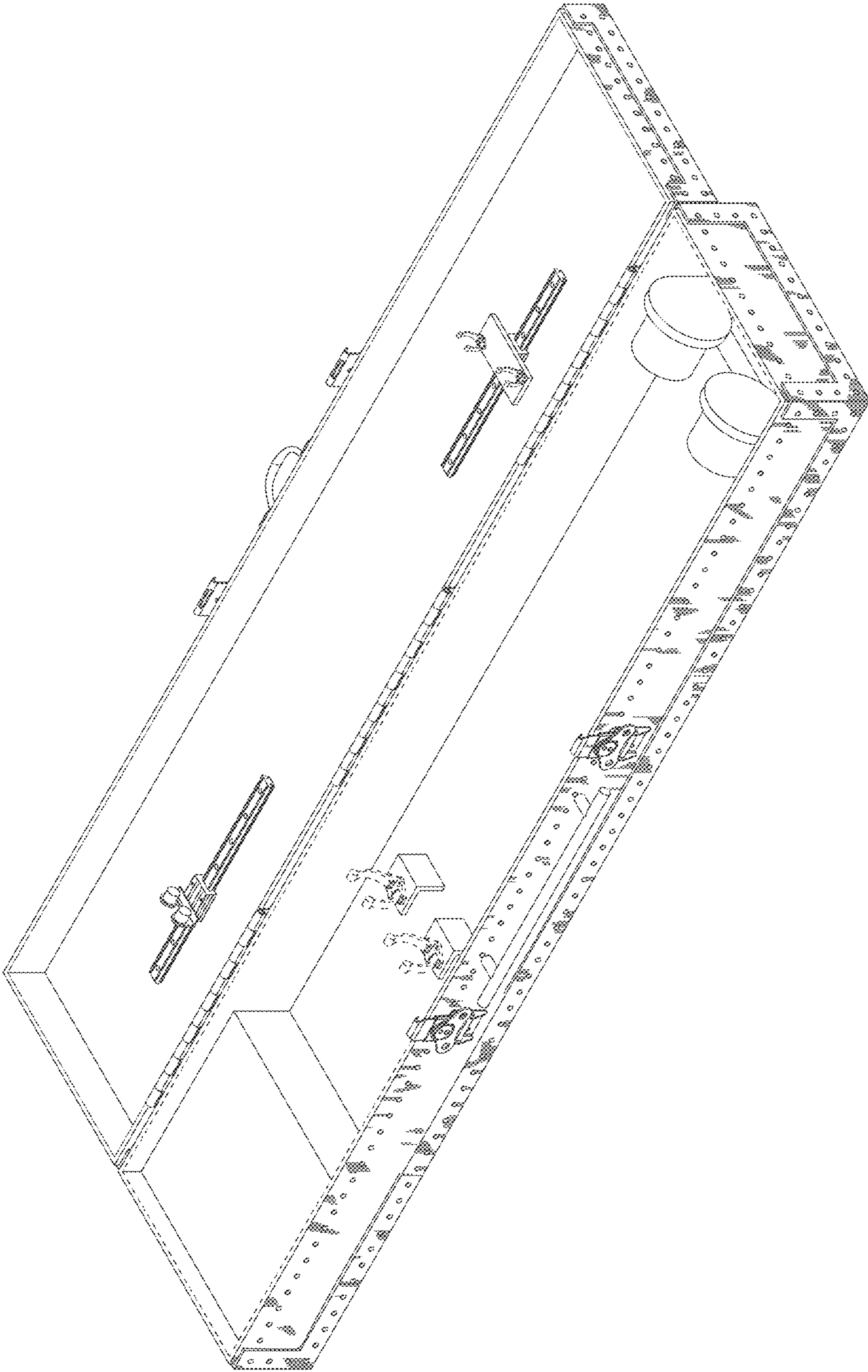


FIG 1.

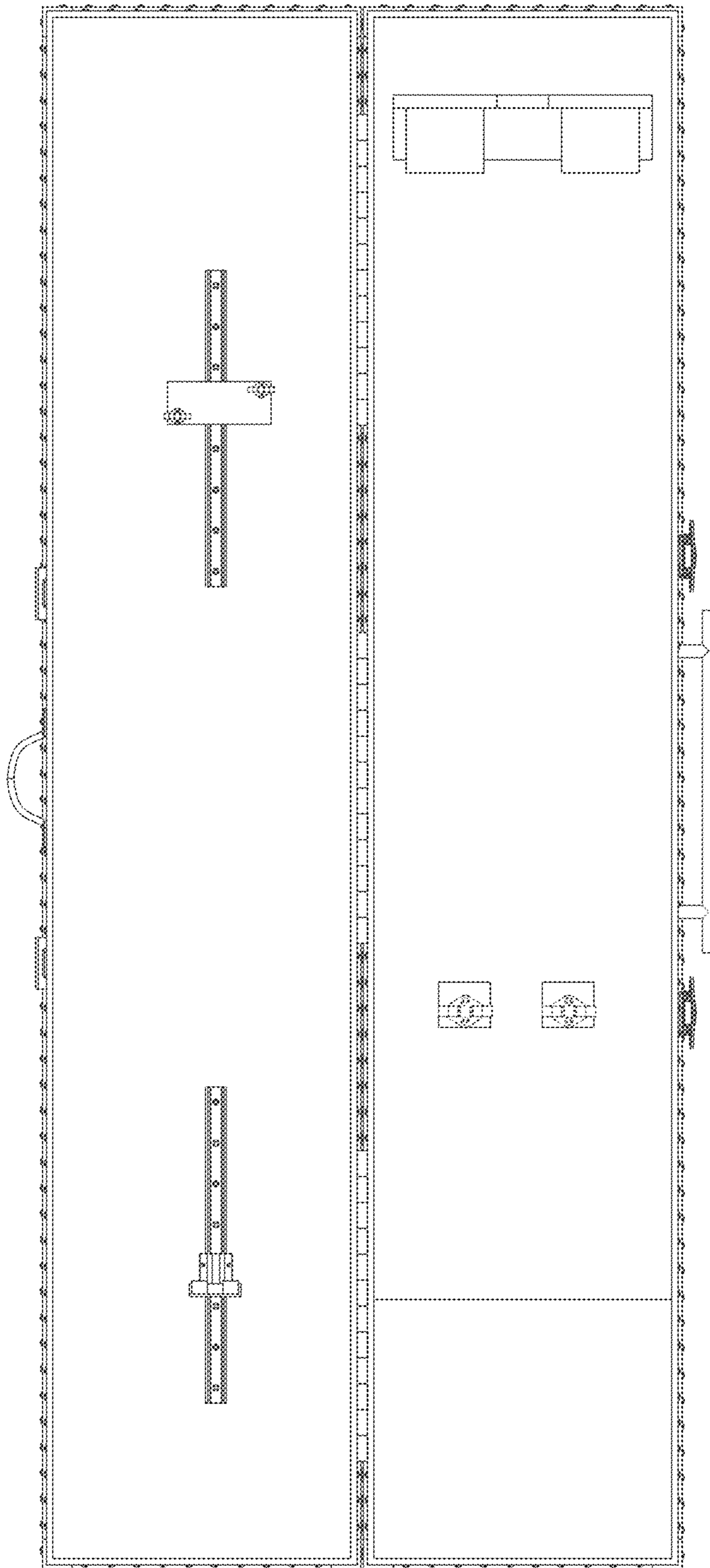


FIG 2.

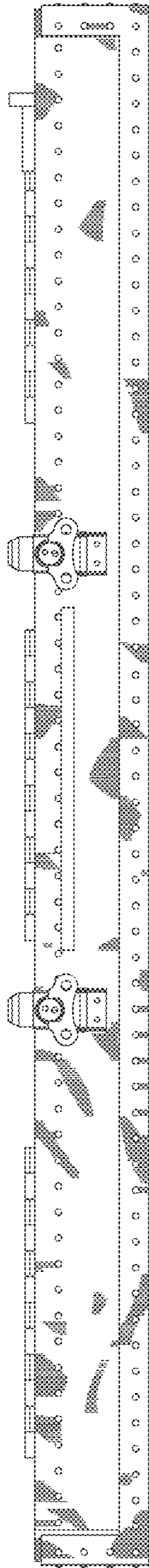


FIG 3.

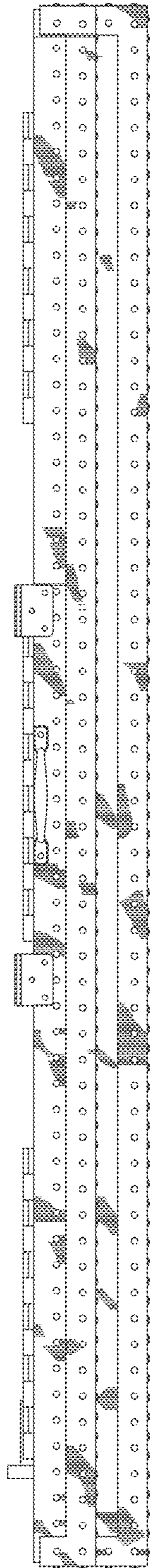


FIG 4.

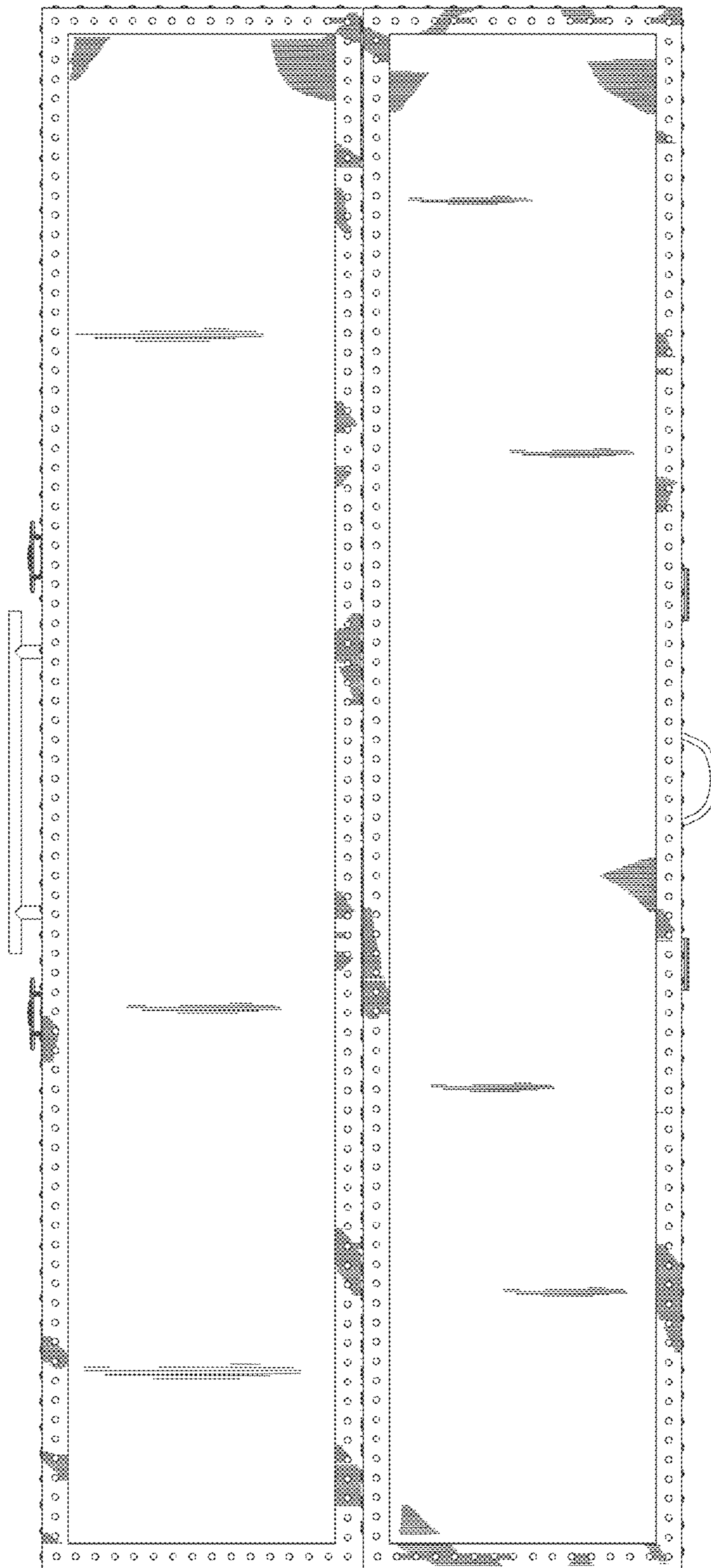


FIG 5.

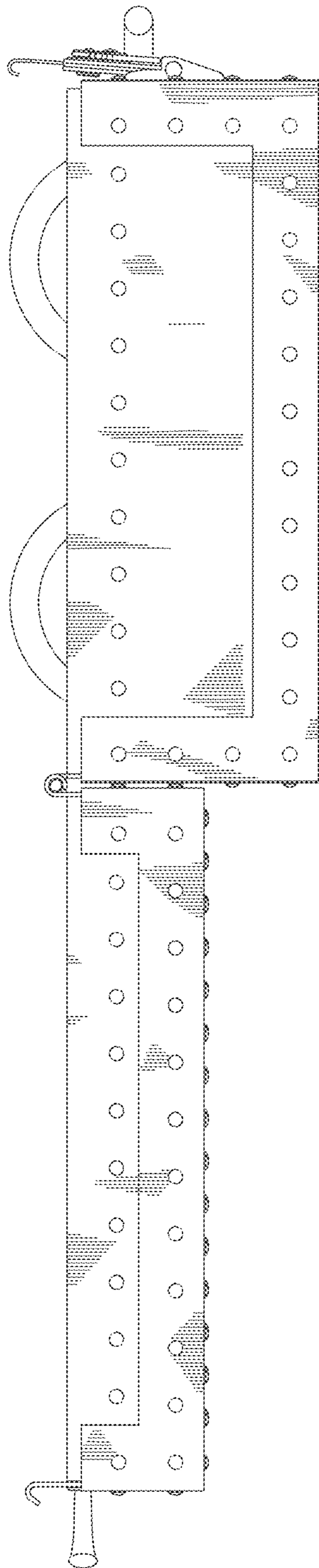


FIG 6.

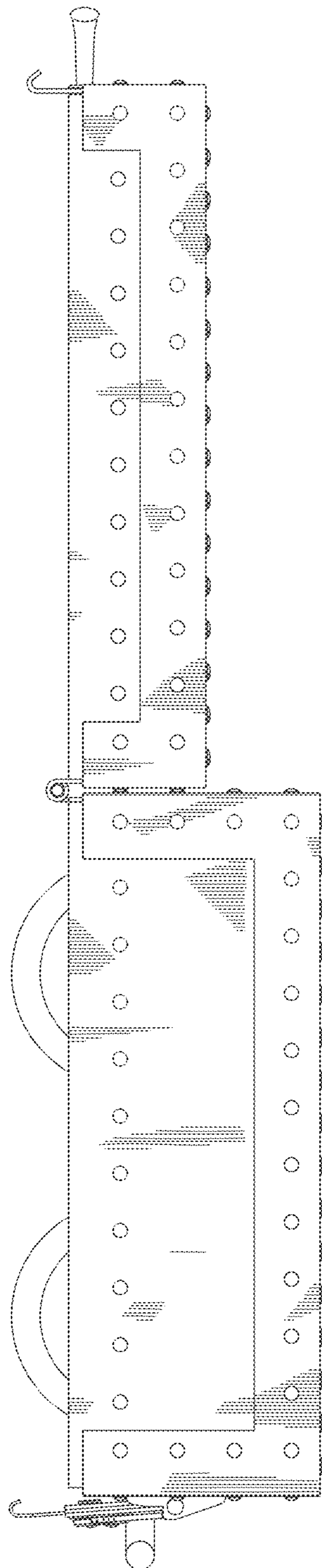


FIG 7.