



US00D897671S

(12) **United States Design Patent** (10) **Patent No.:** **US D897,671 S**
Hanley (45) **Date of Patent:** **** *Oct. 6, 2020**

- (54) **HANDBAG**
- (71) Applicant: **RedStone Haute Couture Co., Ltd.**,
Shenzhen (CN)
- (72) Inventor: **Raphaëlle Hanley**, Bocré (FR)
- (73) Assignee: **REDSTONE HAUTE COUTURE CO., LTD.**, Shenzhen (CN)
- (*) Notice: This patent is subject to a terminal disclaimer.
- (**) Term: **15 Years**
- (21) Appl. No.: **29/693,056**
- (22) Filed: **May 30, 2019**
- (30) **Foreign Application Priority Data**
Dec. 24, 2018 (EM) 005943594-0004
- (51) **LOC (12) Cl.** **03-01**
- (52) **U.S. Cl.**
USPC **D3/243**
- (58) **Field of Classification Search**
USPC D3/232-233, 240-243, 245-246
CPC A45C 1/024; A45C 3/06; A45C 3/08
See application file for complete search history.

- D792,093 S * 7/2017 Venturini Fendi D3/243
- D799,818 S * 10/2017 Nair D3/243
- D811,738 S * 3/2018 Dumas D3/243
- D855,314 S * 8/2019 Rahardjo D3/243
- D856,668 S * 8/2019 Rahardjo D3/243
- D856,669 S * 8/2019 Rahardjo D3/243
- D856,670 S * 8/2019 Rahardjo D3/243

* cited by examiner

Primary Examiner — Holly H Baynham
(74) *Attorney, Agent, or Firm* — Alston & Bird LLP

(57) **CLAIM**

I claim the ornamental design for a handbag, as shown and described.

DESCRIPTION

FIG. 1 is a perspective view of a handbag showing my new design, shown with a strap;
 FIG. 2 is a front elevation view thereof;
 FIG. 3 is a rear elevation view thereof;
 FIG. 4 is a right side elevation view thereof;
 FIG. 5 is a left side elevation view thereof;
 FIG. 6 is a top plan view thereof;
 FIG. 7 is a bottom plan view thereof;
 FIG. 8 is a perspective view thereof, shown without the strap;
 FIG. 9 is a front elevation view thereof;
 FIG. 10 is a rear elevation view thereof;
 FIG. 11 is a right side elevation view thereof;
 FIG. 12 is a left side elevation view thereof;
 FIG. 13 is a top plan view thereof; and,
 FIG. 14 is a bottom plan view thereof.
 The broken lines of the stitching in FIGS. 1-14 form no part of the claimed design. The broken lines of the strap in FIGS. 1-7 form no part of the claimed design.

1 Claim, 12 Drawing Sheets

- (56) **References Cited**
U.S. PATENT DOCUMENTS
2,068,507 A * 1/1937 Nagel A45C 3/06
150/103
D688,450 S * 8/2013 Philo D3/243
D695,517 S * 12/2013 Sassi D3/243





FIG. 1

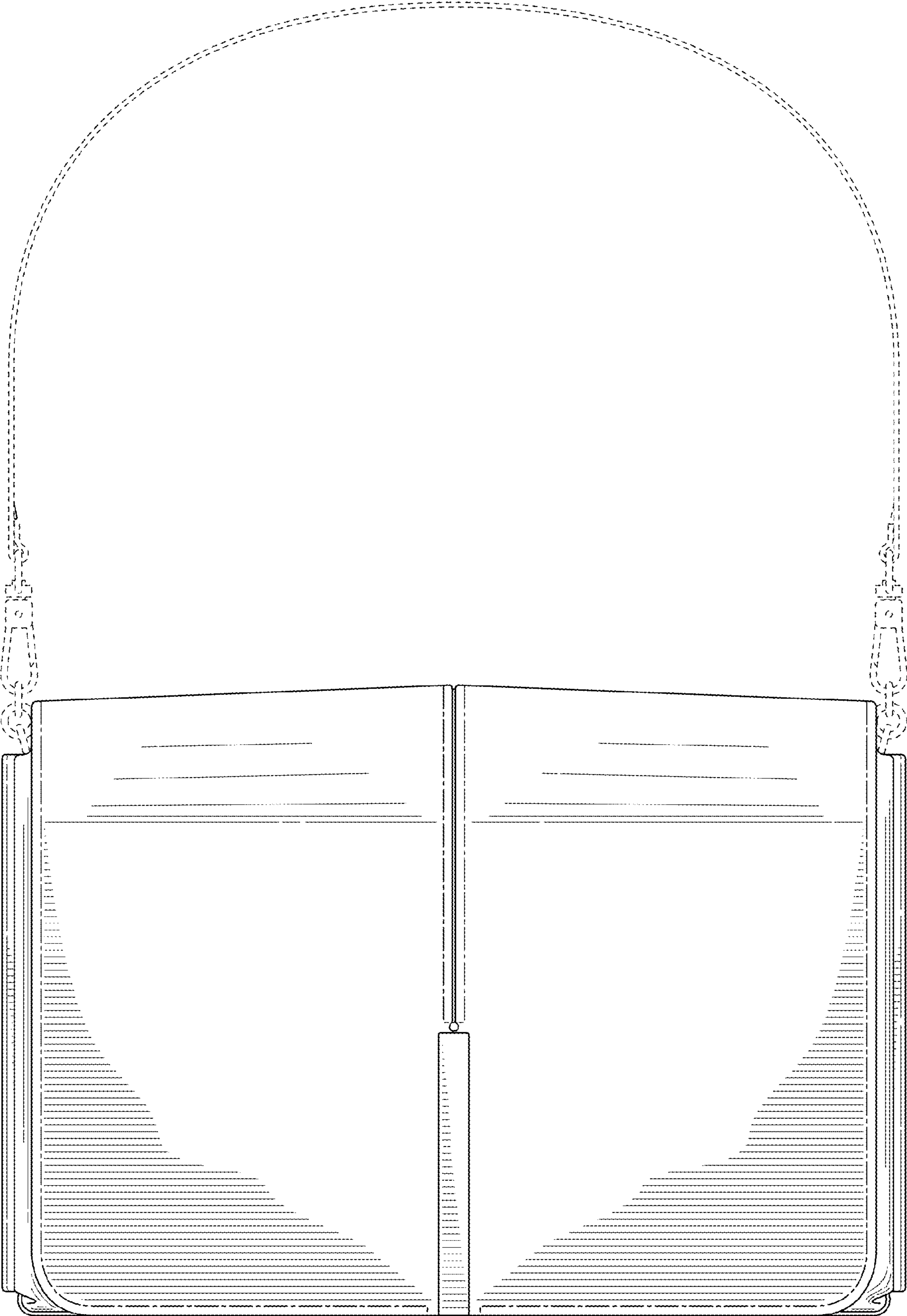


FIG. 2

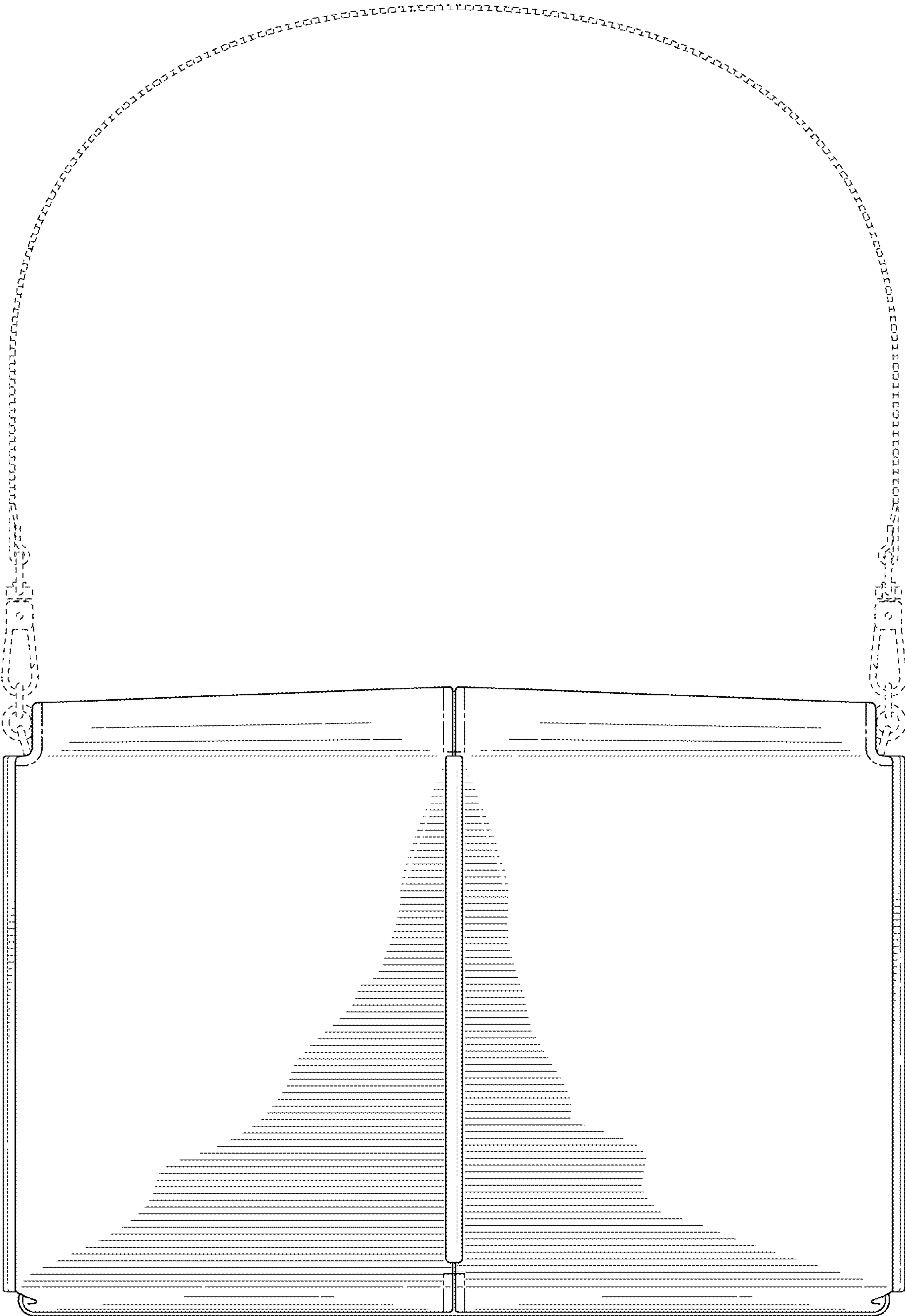


FIG. 3

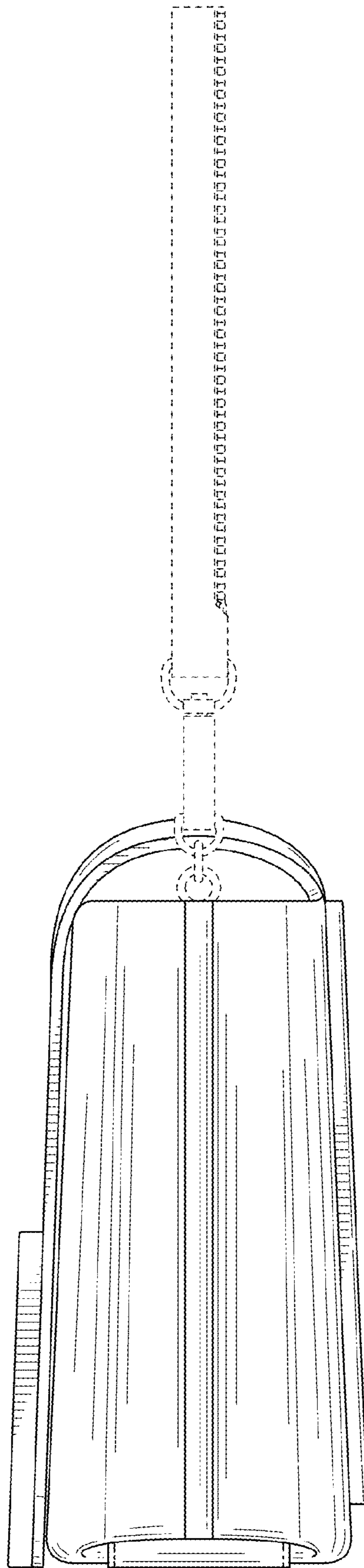


FIG. 4

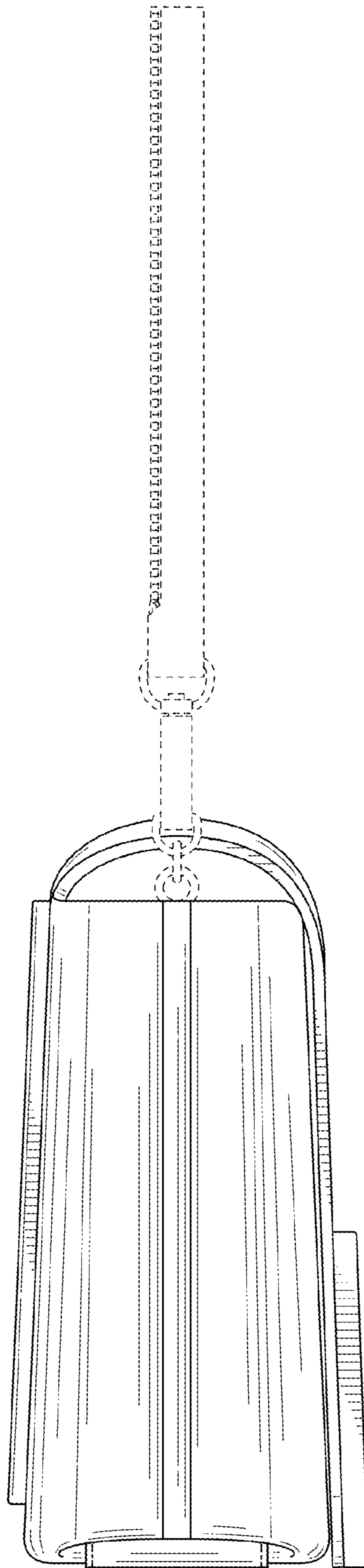


FIG. 5

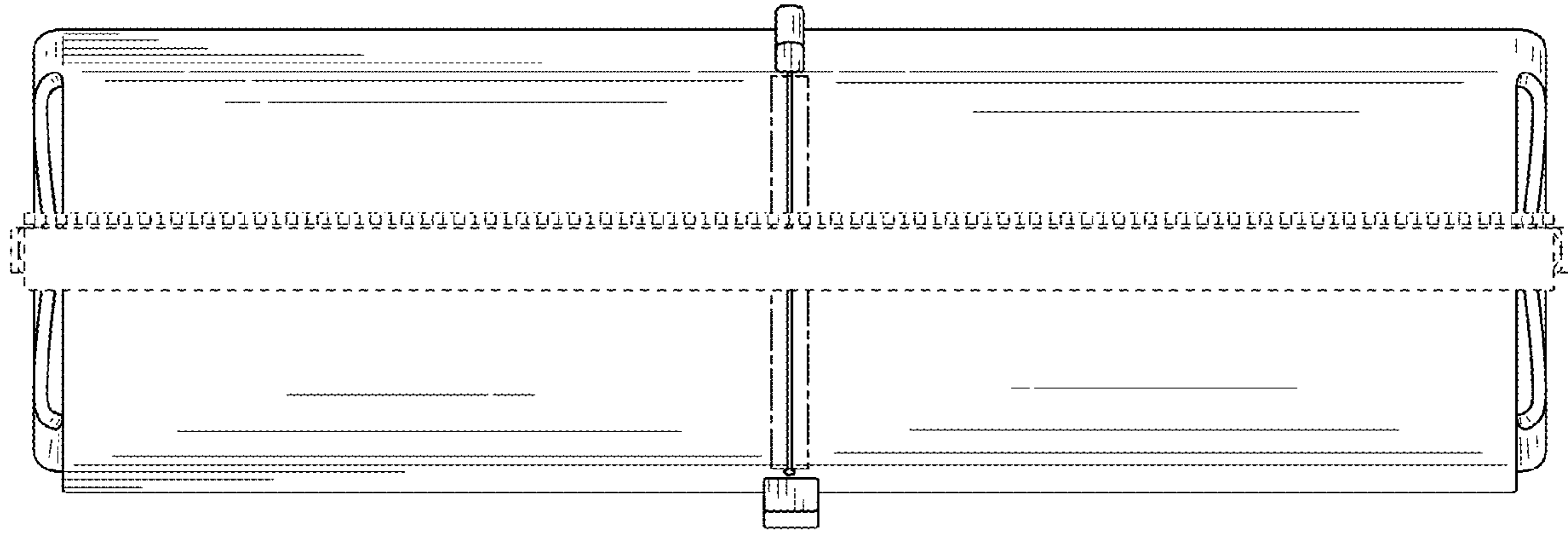


FIG. 6

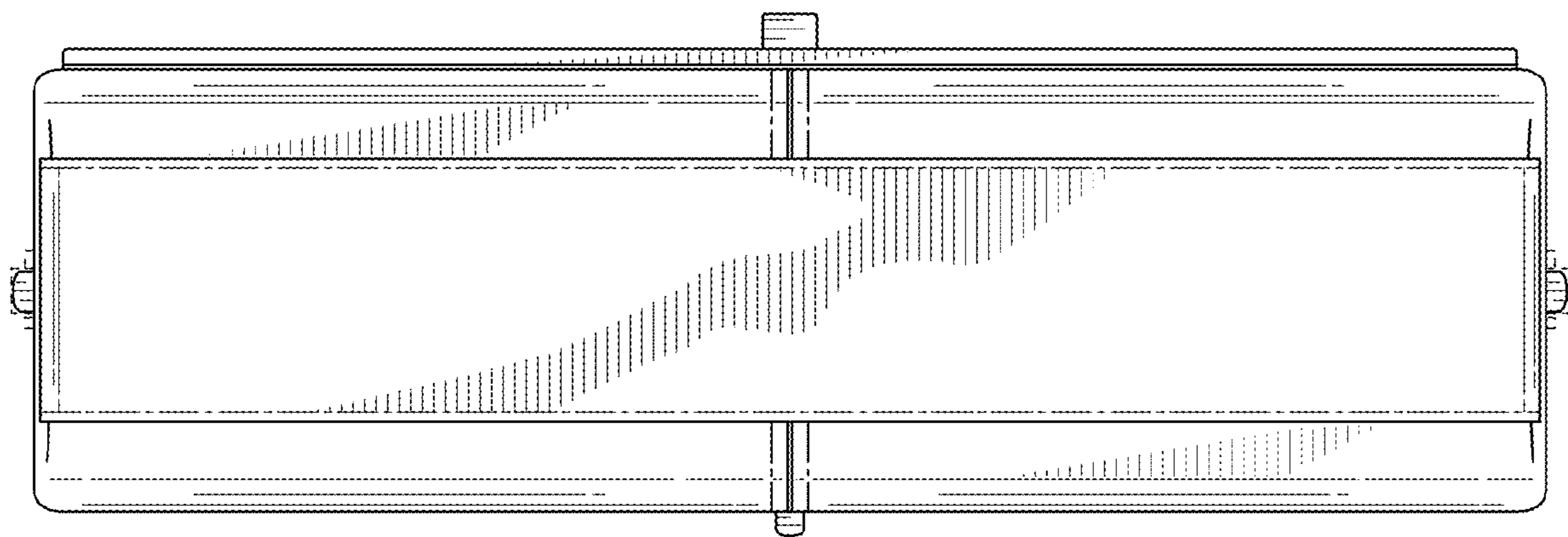


FIG. 7

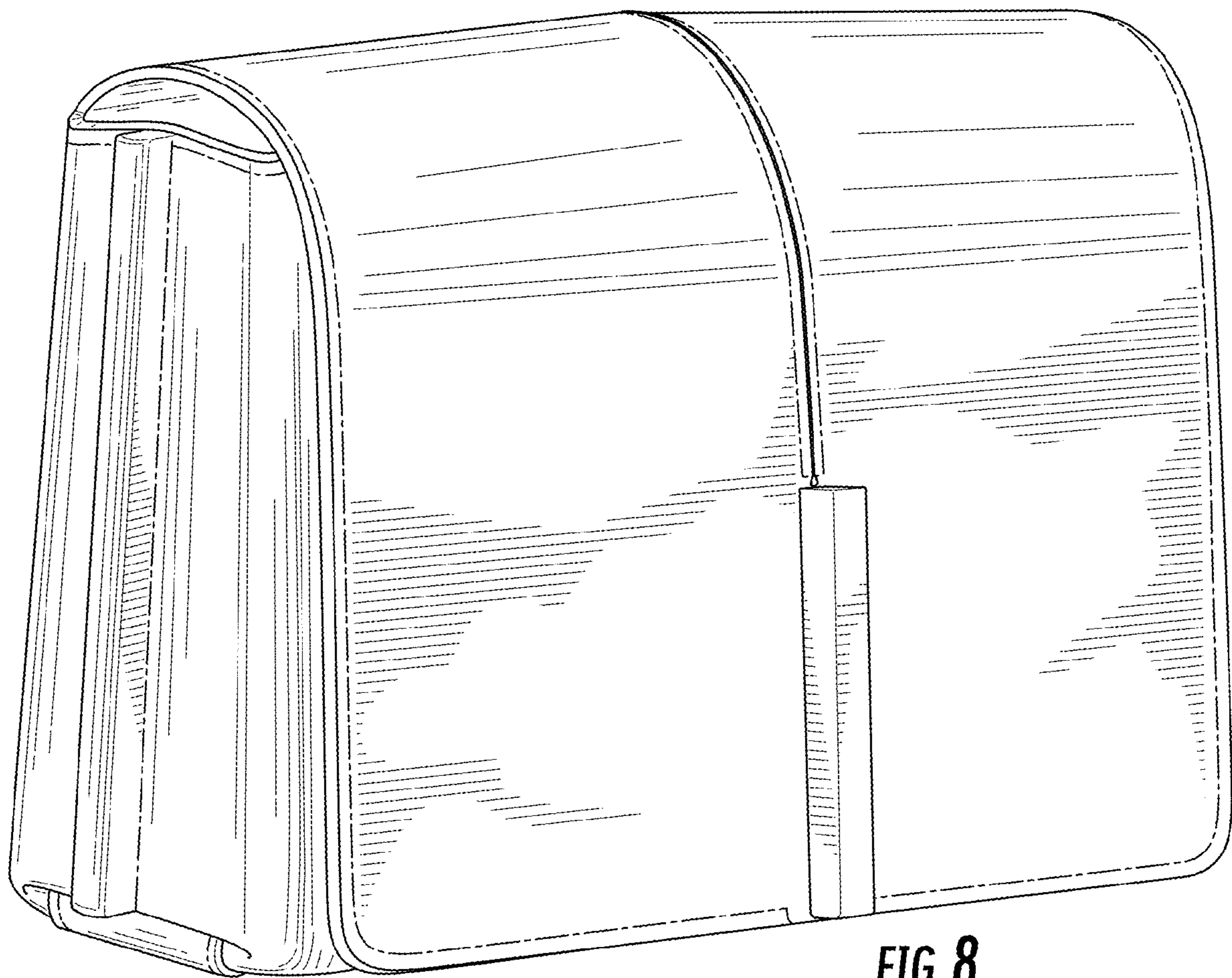


FIG. 8

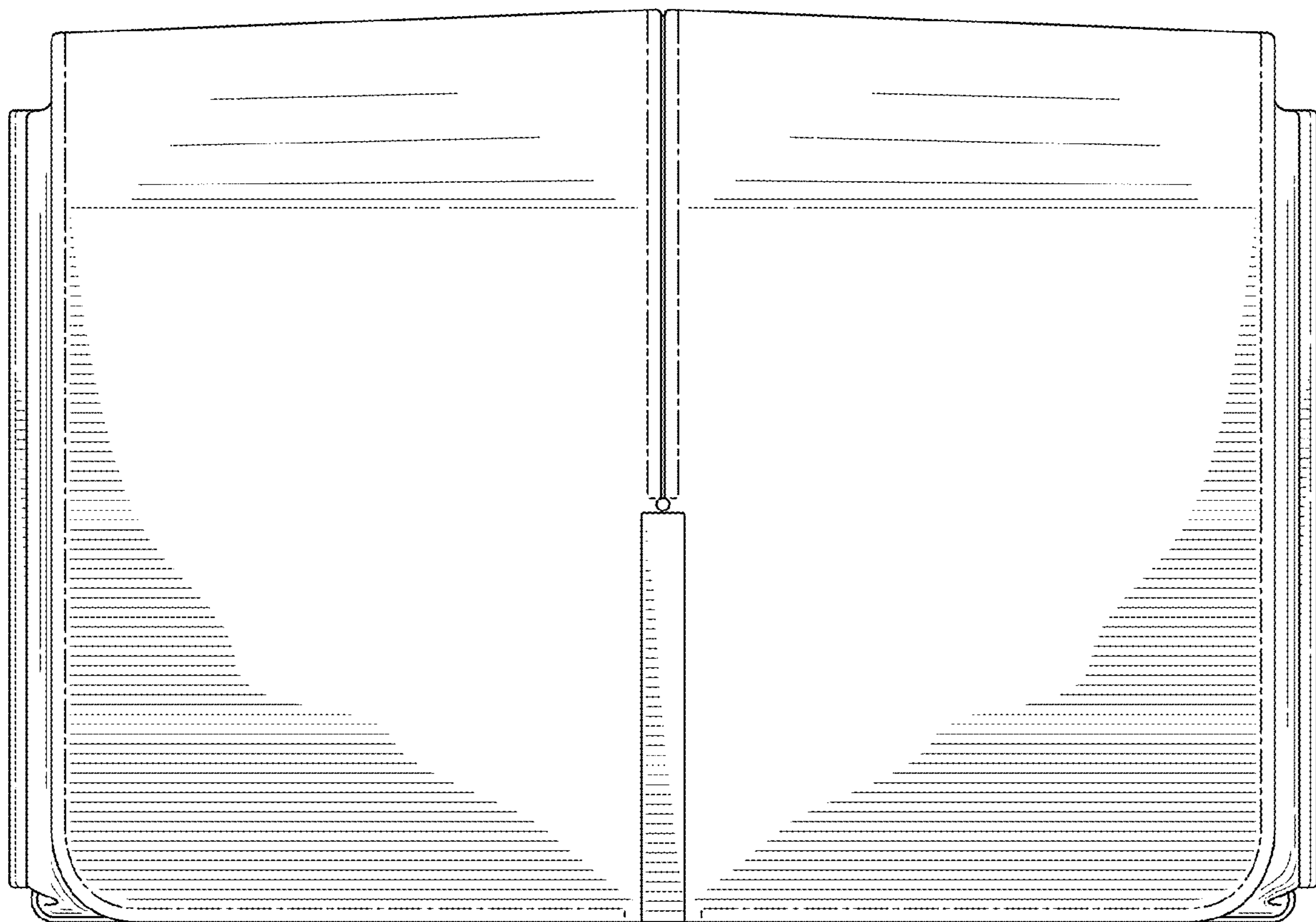


FIG. 9

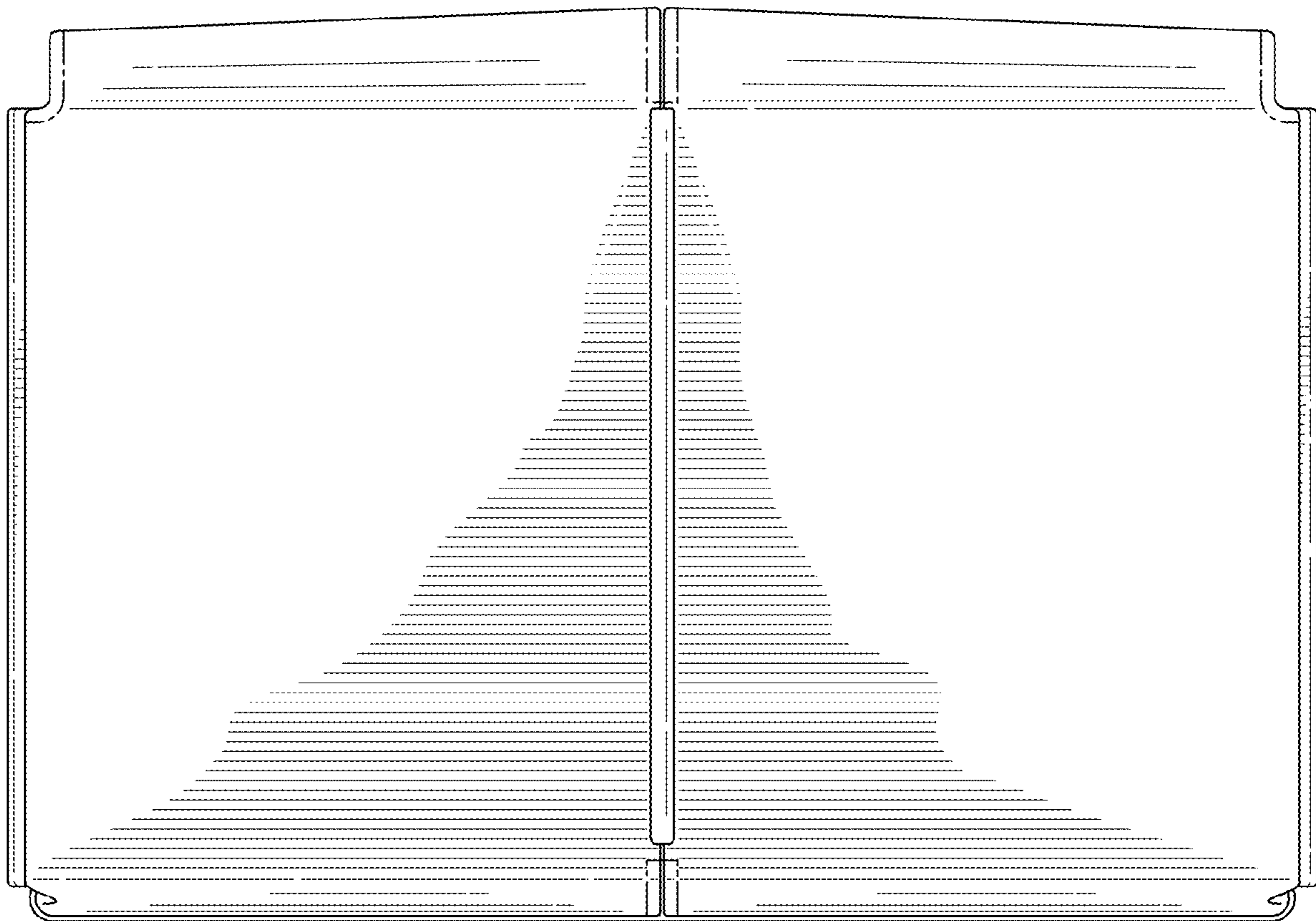


FIG. 10

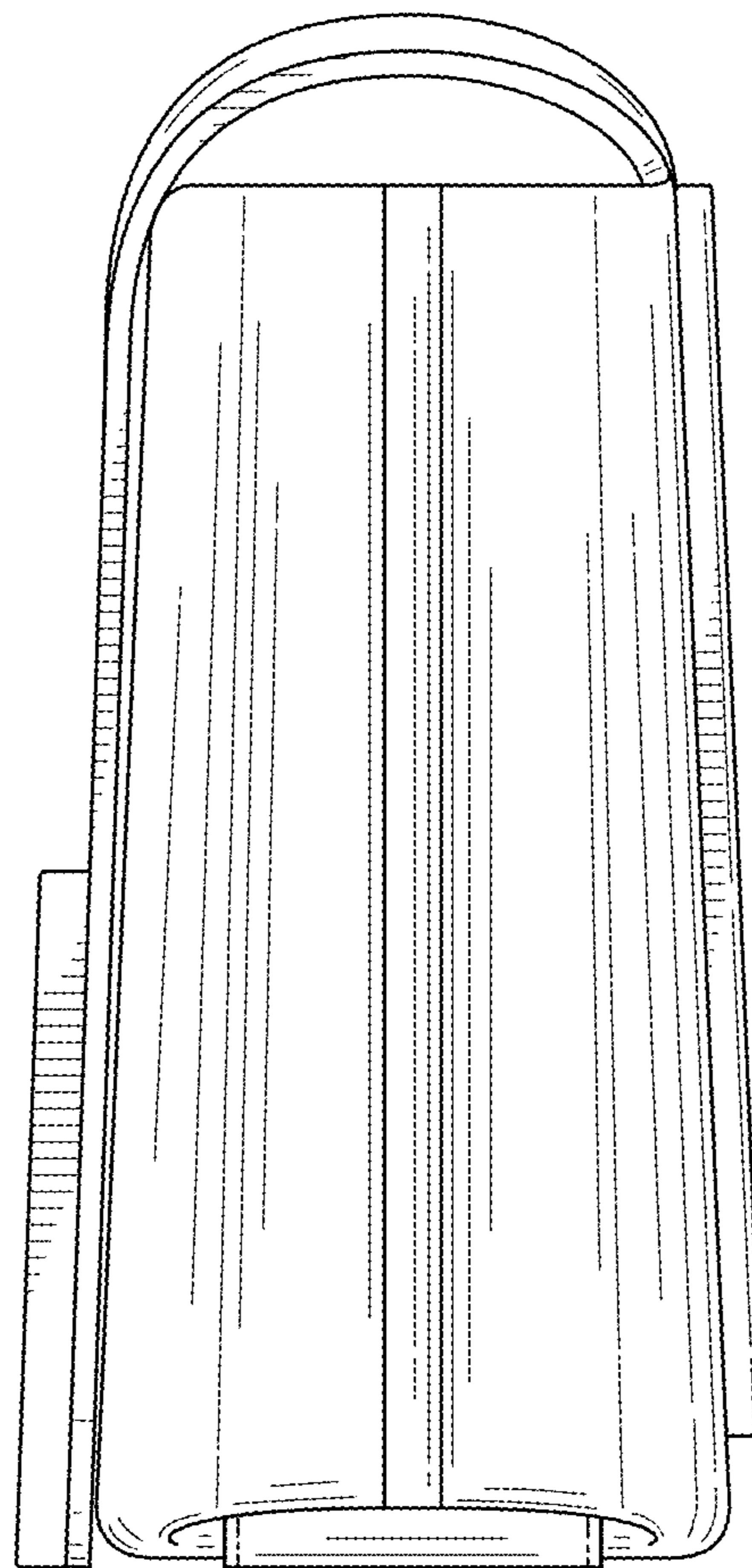


FIG. 11

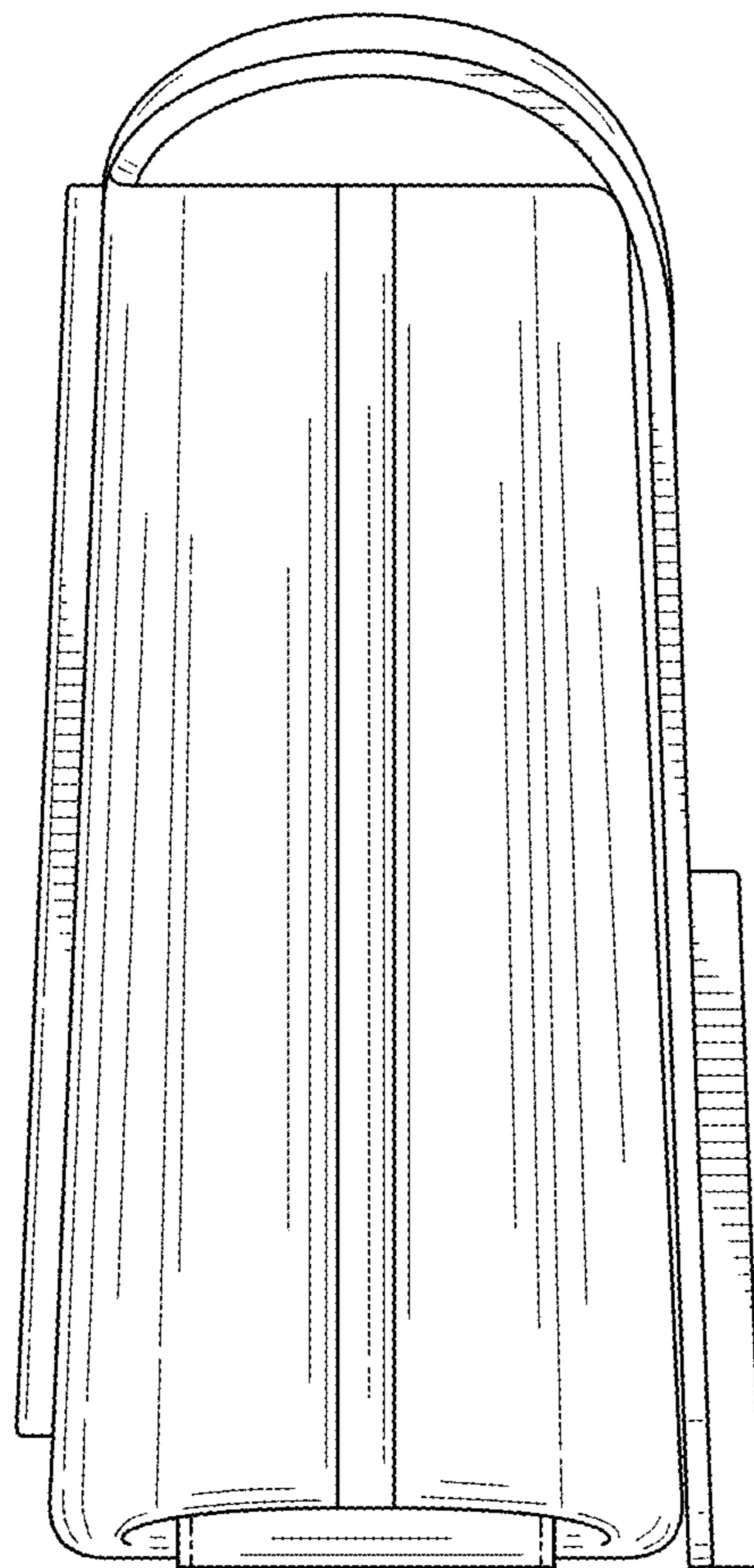


FIG. 12

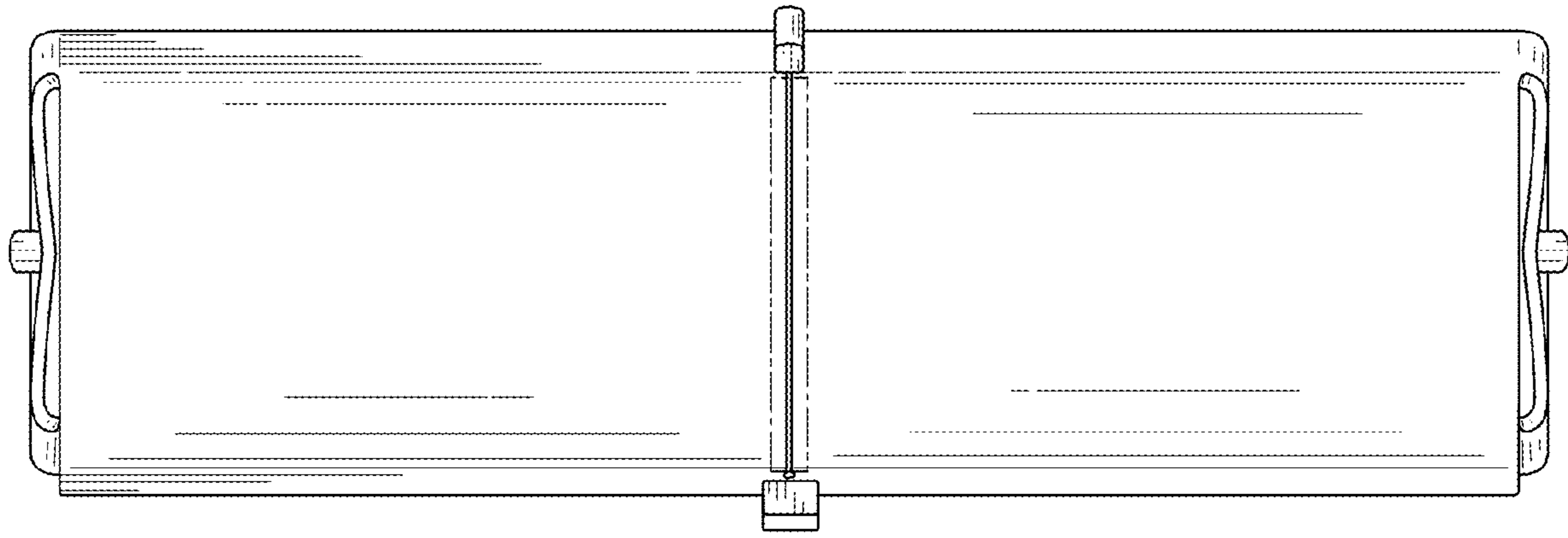


FIG. 13

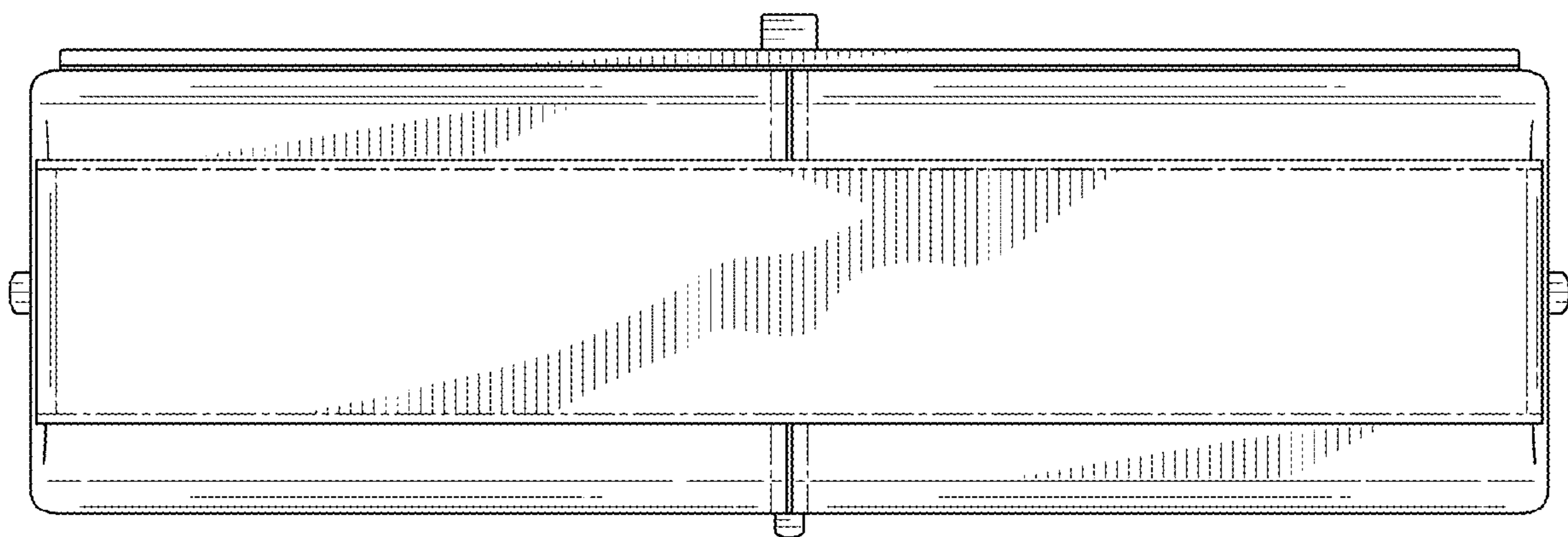


FIG. 14