



US00D897667S

(12) **United States Design Patent** (10) **Patent No.:** **US D897,667 S**
Taylor et al. (45) **Date of Patent:** **** Oct. 6, 2020**

(54) **PENCIL BOX**
(71) Applicant: **IdeaStream Consumer Products, LLC**, Cleveland, OH (US)
(72) Inventors: **Curtis Taylor**, Chagrin Falls, OH (US); **Daniel Perella**, Hudson, OH (US); **Matthew Hanson**, Chagrin Falls, OH (US)

D556,571 S * 12/2007 Jalet D9/432
D566,395 S * 4/2008 Langer D3/294
D586,557 S * 2/2009 Jalet D3/294
D641,164 S * 7/2011 Cornu D3/294
D653,450 S * 2/2012 Walter D3/302
D660,440 S * 5/2012 Roehrig D24/194
D675,434 S * 2/2013 Vernall D3/294
D686,817 S * 7/2013 Dennis D3/206
D759,378 S * 6/2016 West D3/294
D790,219 S * 6/2017 Huang D3/276

(73) Assignee: **IdeaStream Consumer Products, LLC**, Cleveland, OH (US)
(**) Term: **15 Years**

OTHER PUBLICATIONS

Amazon, "HQ Advance Products Plastic School Box, Assorted Colors (38008)", First on sale Mar. 15, 2010. (<https://www.amazon.com/dp/B003BT2R3U/>) (Year: 2010).*

(21) Appl. No.: **29/734,510**
(22) Filed: **May 13, 2020**

* cited by examiner

Related U.S. Application Data

Primary Examiner — April Rivas
(74) *Attorney, Agent, or Firm* — Fay Sharpe LLP

(63) Continuation-in-part of application No. 29/660,421, filed on Aug. 21, 2018.
(51) **LOC (12) Cl.** **03-01**
(52) **U.S. Cl.**
USPC **D3/206**; D19/81
(58) **Field of Classification Search**
USPC D3/272, 273, 276, 279, 282, 284, 291, D3/294, 302, 900, 905, 903, 206; D19/106, 81, 83
CPC A45C 11/34
See application file for complete search history.

(57) **CLAIM**

The ornamental design for a pencil box, as shown and described.

DESCRIPTION

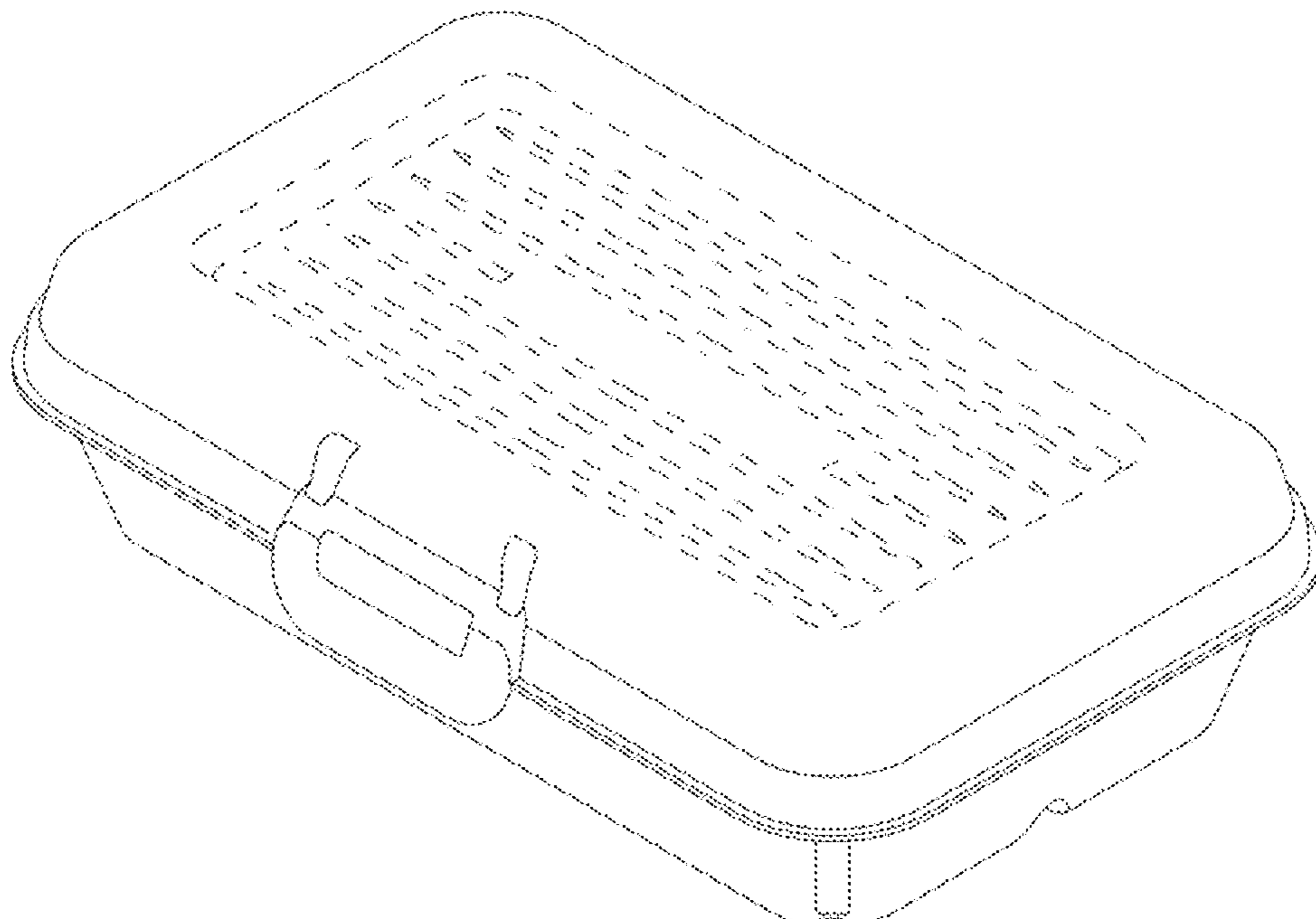
FIG. 1 is a top plan view of a pencil box showing the new design;
FIG. 2 is a front side view thereof;
FIG. 3 is a right side view thereof;
FIG. 4 is a bottom plan view thereof;
FIG. 5 a front perspective view thereof; and,
FIG. 6 is a back perspective view thereof.
The broken lines illustrate portions of the pencil box and form no part of the claimed design.

(56) **References Cited**

U.S. PATENT DOCUMENTS

D335,896 S * 5/1993 Evenson D19/83
D367,211 S * 2/1996 Cautereels D3/294

1 Claim, 4 Drawing Sheets



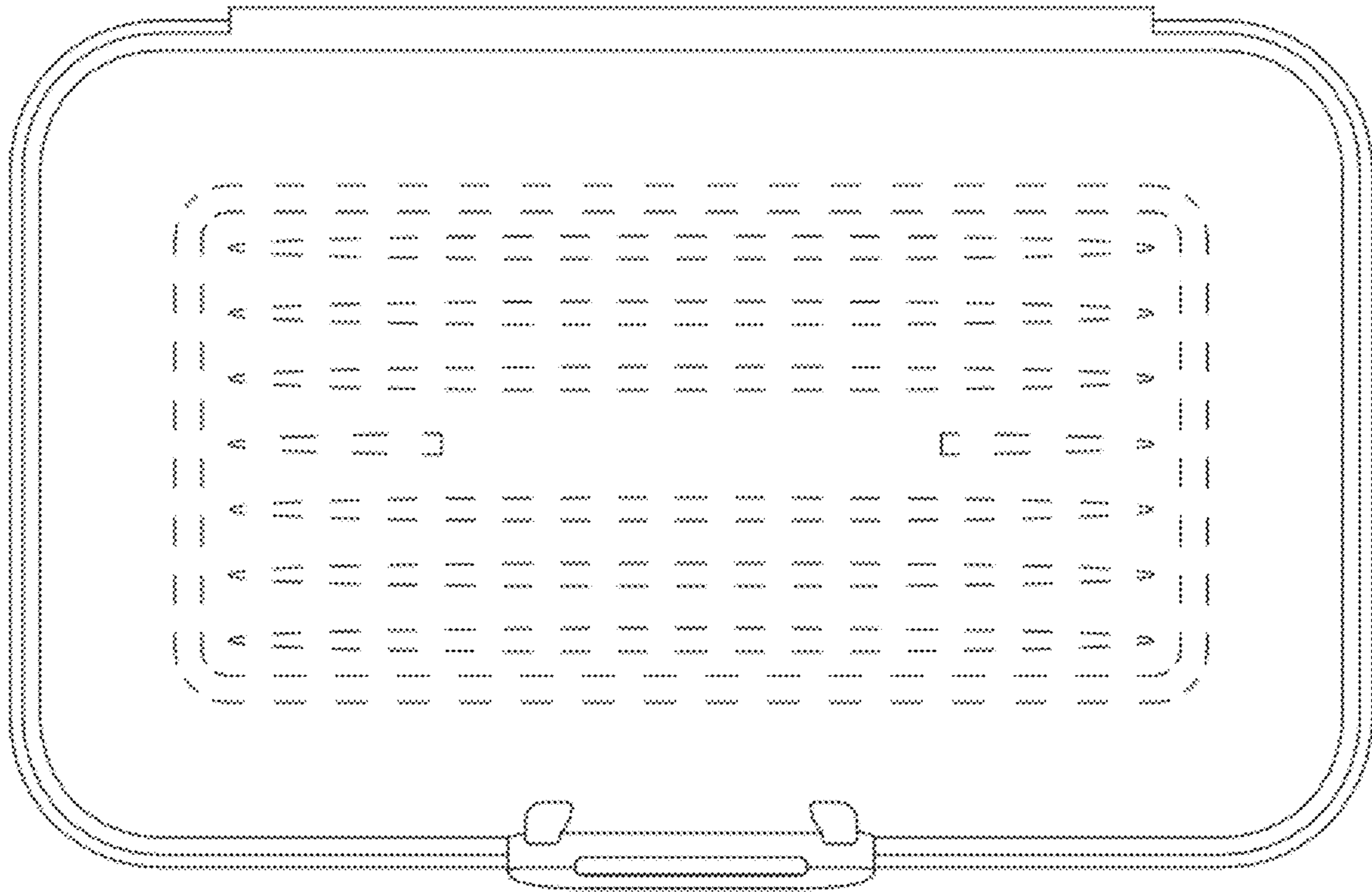


FIG. 1

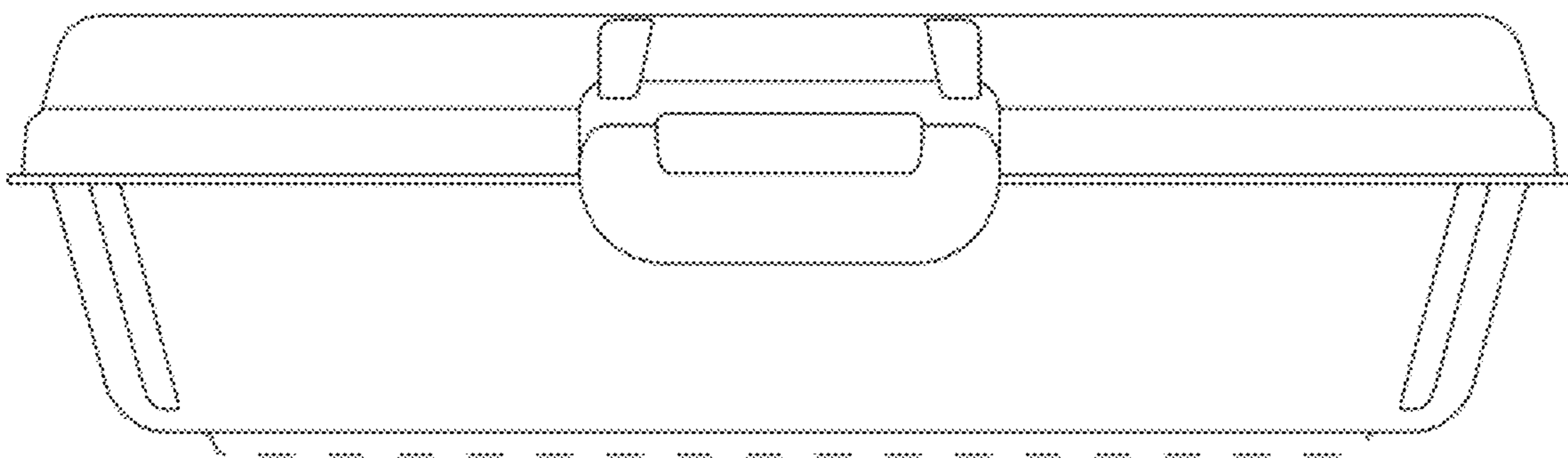


FIG. 2

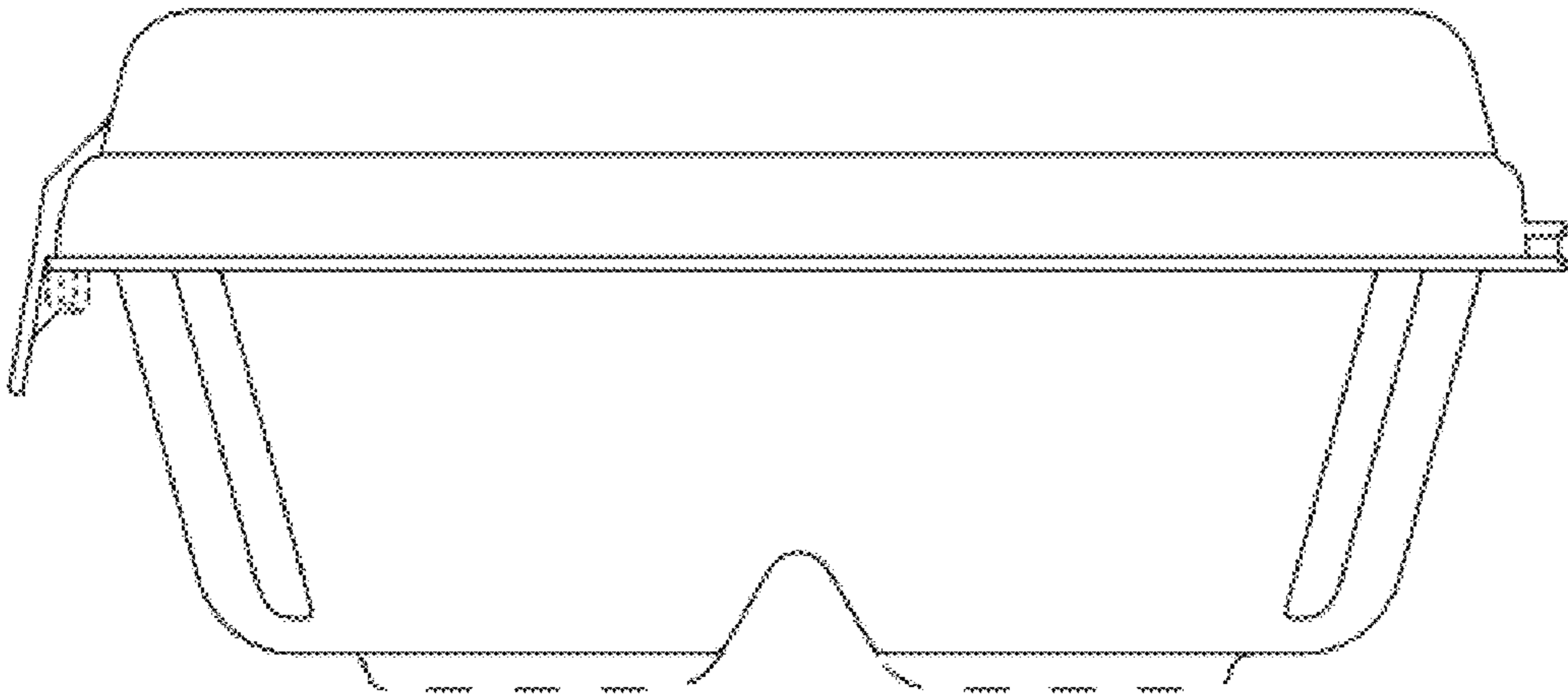


FIG. 3

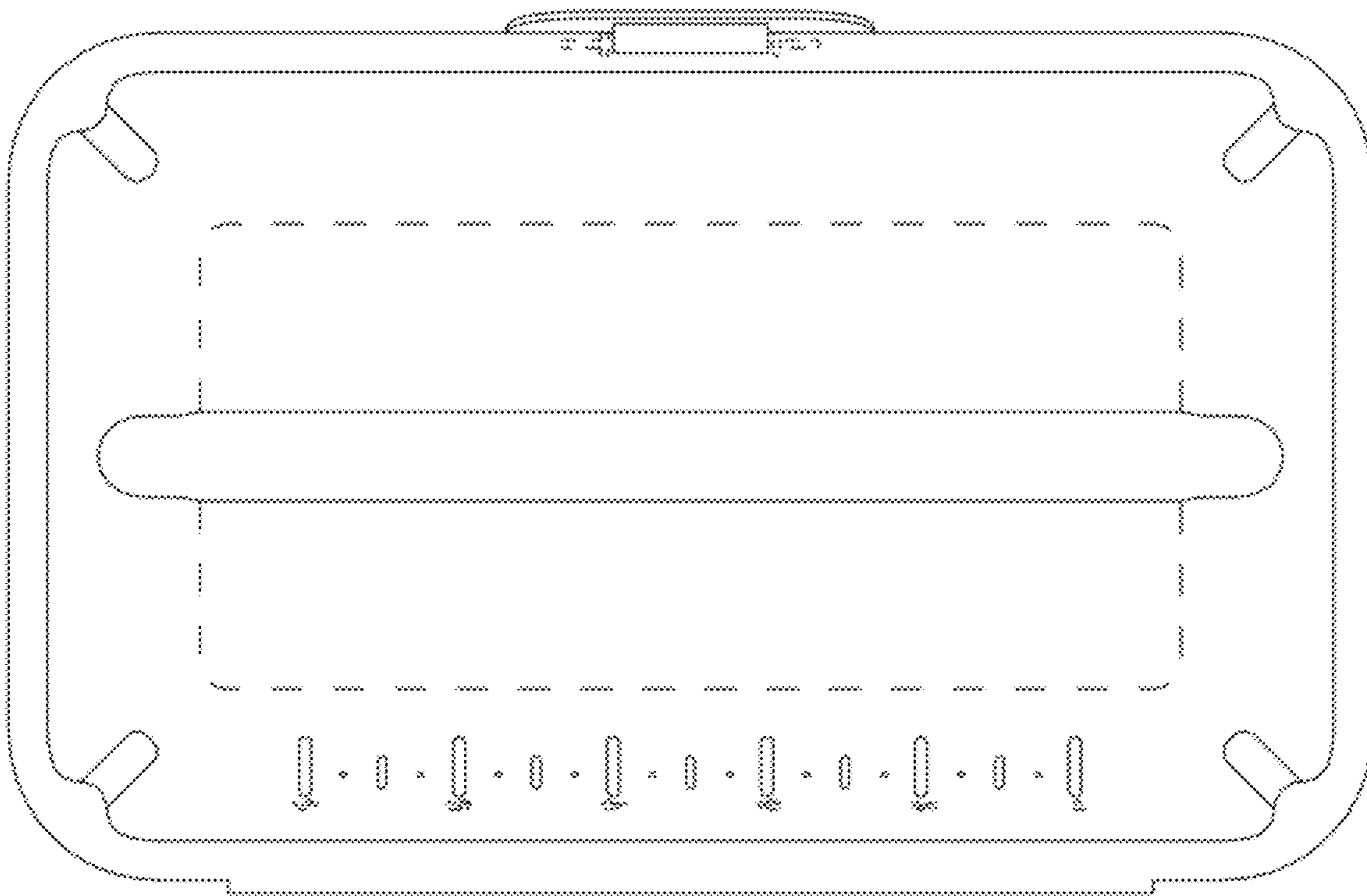


FIG. 4

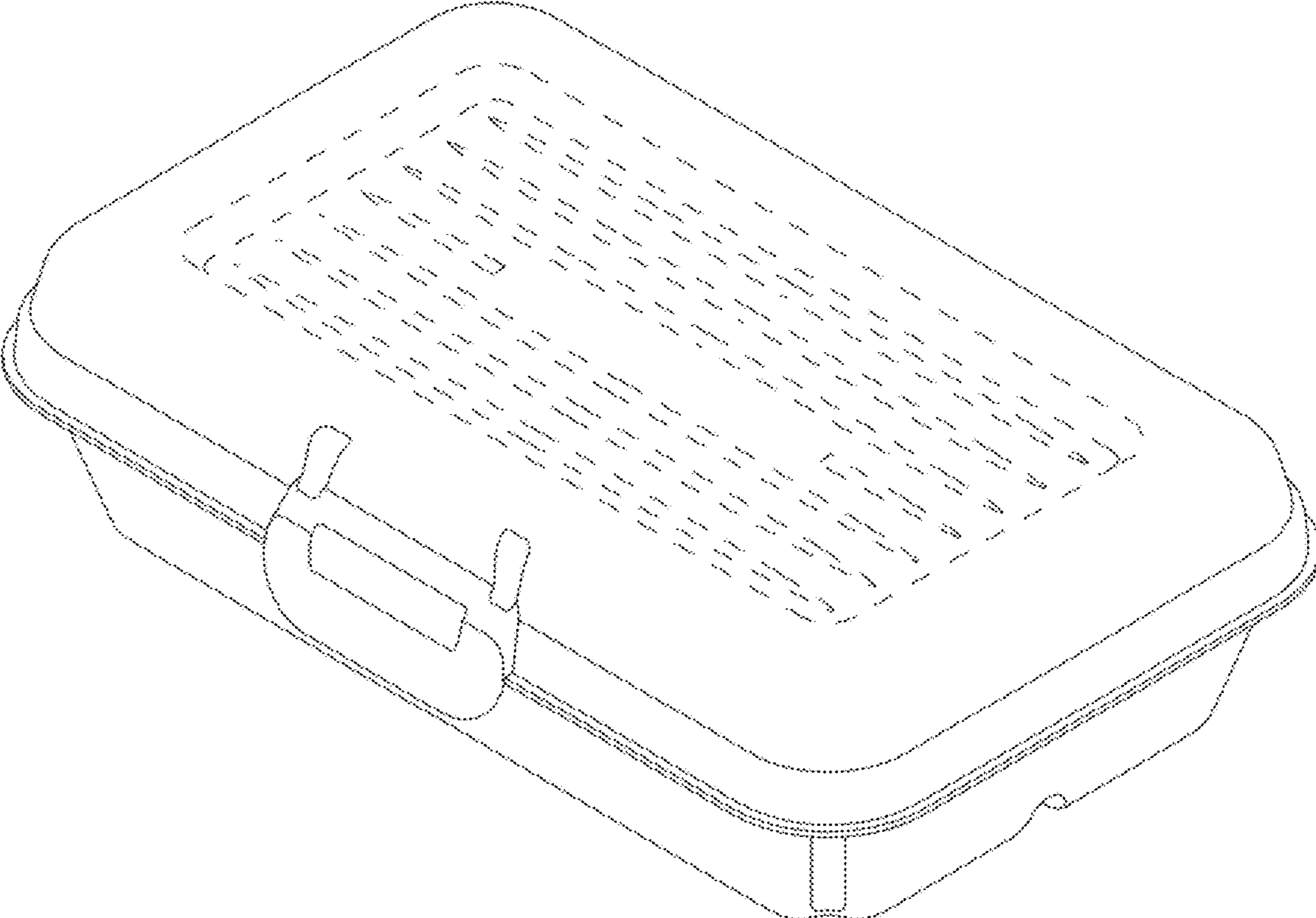


FIG. 5

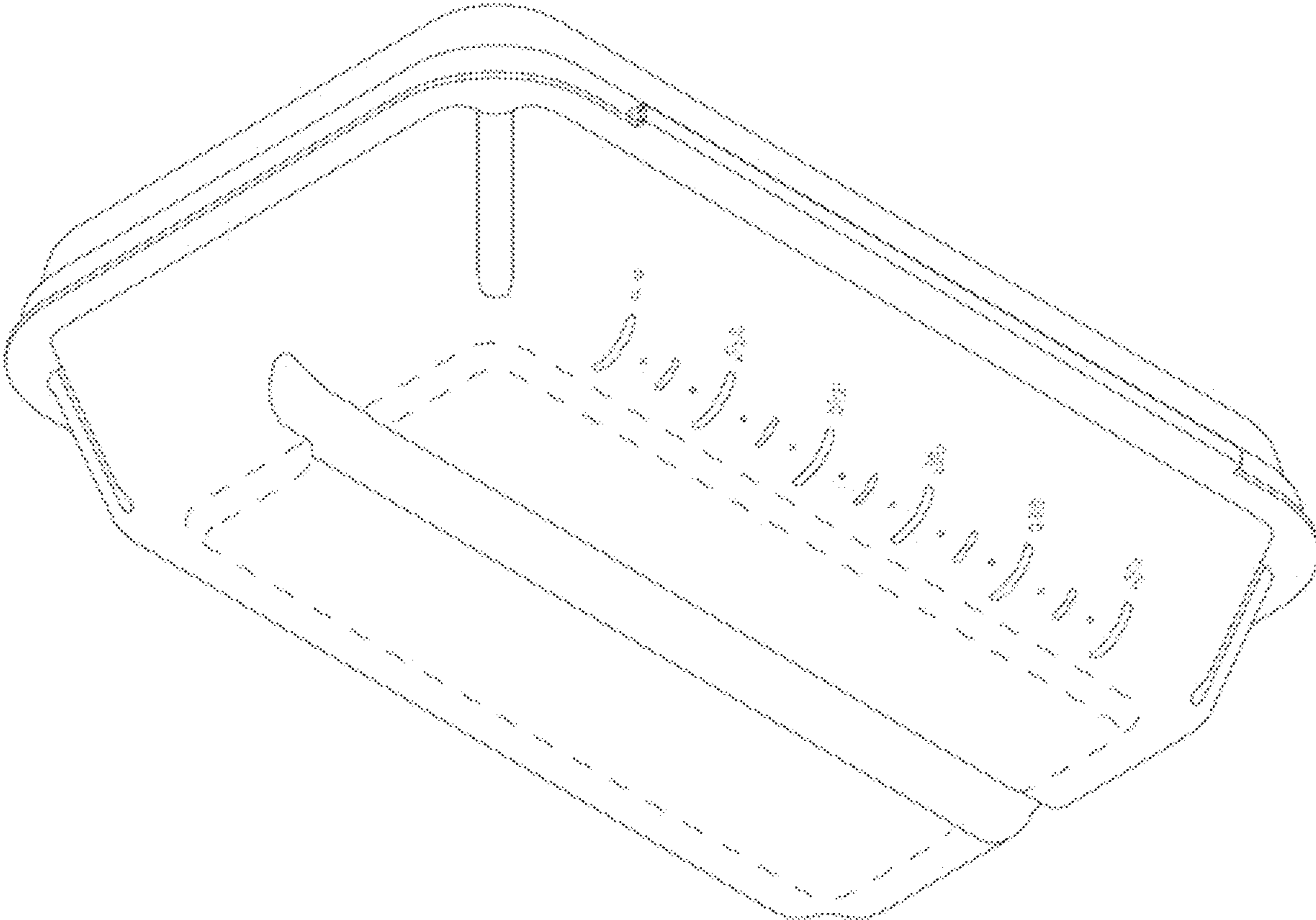


FIG. 6