



US00D897666S

(12) **United States Design Patent**  
**Guo et al.**

(10) **Patent No.:** **US D897,666 S**  
(45) **Date of Patent:** **\*\* Oct. 6, 2020**

- (54) **PILL ORGANIZER**
- (71) Applicant: **ZHUHAI EKTOUCH TECHNOLOGY CO., LTD.**, Zhuhai (CN)
- (72) Inventors: **Jinpeng Guo**, Zhuhai (CN); **Wei Du**, Zhuhai (CN)
- (73) Assignee: **ZHUHAI EKTOUCH TECHNOLOGY CO., LTD.**, Zhuhai (CN)
- (\*\*) Term: **15 Years**
- (21) Appl. No.: **29/736,131**
- (22) Filed: **May 28, 2020**
- (51) **LOC (12) Cl.** ..... **03-01**
- (52) **U.S. Cl.**  
USPC ..... **D3/203.3**
- (58) **Field of Classification Search**  
USPC ..... D3/201, 203.1–203.8, 294, 295; D9/420, D9/421, 757, 759  
CPC ..... B65D 1/36; B65D 2583/04; B65D 83/04; B65D 83/0445; B65D 83/0481; A61J 1/00; A61J 1/03; A61J 7/04; A61J 7/0084  
See application file for complete search history.

- D466,801 S \* 12/2002 Holland ..... D3/203.3
- D518,287 S \* 4/2006 Margiotta ..... D3/203.3
- D522,742 S \* 6/2006 Priebe ..... D3/203.3
- D524,537 S \* 7/2006 Priebe ..... D3/203.3
- 7,097,037 B1 \* 8/2006 Keffeler ..... B65D 21/0202  
206/528
- D528,288 S \* 9/2006 Coe ..... D3/203.3
- D528,782 S \* 9/2006 Oas ..... D3/203.3
- D545,563 S \* 7/2007 Margiotta ..... D3/203.3
- 7,387,207 B2 \* 6/2008 Priebe ..... A61J 1/03  
206/532

(Continued)

**OTHER PUBLICATIONS**

Sagely Smart Weekly Pill Organizer—Sleek AM/PM Twice a Day Pill Box with Free Smartphone Reminder App and 7 Day Travel Containers, amazon.com, [https://www.amazon.com/Sagely-Smart-Weekly-Pill-Organizer/dp/B07B8R7GYK/ref=pd\\_ybh\\_a\\_6?\\_encoding=UTF8&psc=1&refRID=23HE5DBJAP3KBFN0ZQ2E](https://www.amazon.com/Sagely-Smart-Weekly-Pill-Organizer/dp/B07B8R7GYK/ref=pd_ybh_a_6?_encoding=UTF8&psc=1&refRID=23HE5DBJAP3KBFN0ZQ2E) (Year: 2020).\*

*Primary Examiner* — Steven J Czyz

(57) **CLAIM**

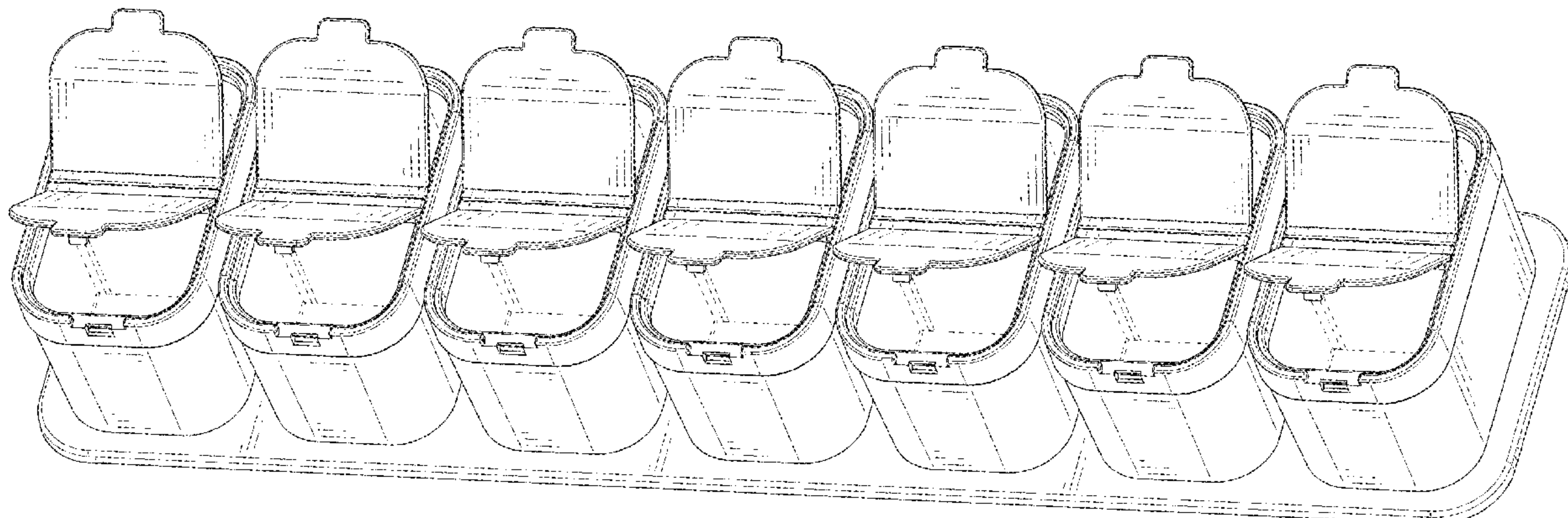
The ornamental design for a pill organizer, as shown and described.

**DESCRIPTION**

FIG. 1 is a perspective view of a pill organizer showing my new design;  
FIG. 2 is another perspective view thereof;  
FIG. 3 is a front elevational view thereof;  
FIG. 4 is a rear elevational view thereof;  
FIG. 5 is a left side elevational view thereof;  
FIG. 6 is a right side elevational view thereof;  
FIG. 7 is a top plan view thereof;  
FIG. 8 is a bottom plan view thereof; and,  
FIG. 9 is a perspective view of the pill organizer where the pill organizer is in a configuration of use.  
The broken lines in the drawings depict portions of the pill organizer that form no part of the claimed design.

**1 Claim, 9 Drawing Sheets**

- (56) **References Cited**  
U.S. PATENT DOCUMENTS
- D253,933 S \* 1/1980 Bridges ..... D3/203.3
- D281,225 S \* 11/1985 Leman ..... D3/203.3
- D298,803 S \* 12/1988 Ebling ..... D3/203.3
- D304,905 S \* 12/1989 Zimmerman ..... D3/203.3
- D393,418 S \* 4/1998 Doan ..... D3/203.3
- 5,735,406 A \* 4/1998 Keffeler ..... A61J 1/03  
206/535
- D415,958 S \* 11/1999 Noble ..... D3/203.3
- D418,288 S \* 1/2000 Priebe ..... D3/201
- D426,461 S \* 6/2000 Noble ..... D3/203.3
- D430,392 S \* 9/2000 Noble ..... D3/201



(56)

References Cited

U.S. PATENT DOCUMENTS

7,395,929 B2 \* 7/2008 Keffeler ..... B65D 83/0445  
 206/528  
 7,494,012 B1 \* 2/2009 Priebe ..... A61J 1/03  
 206/1.5  
 7,624,890 B2 \* 12/2009 Noble ..... B65D 43/162  
 220/324  
 D612,894 S \* 3/2010 Evans ..... D21/392  
 7,793,785 B2 \* 9/2010 Keffeler ..... B65D 83/04  
 206/538  
 D642,789 S \* 8/2011 Cooper ..... D3/203.3  
 D652,617 S \* 1/2012 Chen ..... D3/203.3  
 8,174,370 B1 \* 5/2012 Fulmer-Mason ..... A61J 7/0409  
 340/309.16  
 8,381,911 B2 \* 2/2013 Buchner ..... B65D 83/04  
 206/538  
 8,452,446 B1 \* 5/2013 Madris ..... A61J 7/0084  
 700/236  
 D684,355 S \* 6/2013 Priebe ..... D3/203.3  
 D686,407 S \* 7/2013 Mazur ..... D3/203.3  
 D691,366 S \* 10/2013 Muncy ..... D3/203.3  
 D696,007 S \* 12/2013 Priebe ..... D3/203.3  
 D696,008 S \* 12/2013 Priebe ..... D3/203.3  
 D696,010 S \* 12/2013 Priebe ..... D3/203.3  
 D696,856 S \* 1/2014 Priebe ..... D3/203.3

D697,303 S \* 1/2014 Priebe ..... D3/203.3  
 D698,141 S \* 1/2014 Priebe ..... D3/203.3  
 D698,540 S \* 2/2014 Priebe ..... D3/203.3  
 D703,943 S \* 5/2014 Priebe ..... D3/203.3  
 D709,282 S \* 7/2014 Priebe ..... D3/203.3  
 D727,011 S \* 4/2015 Priebe ..... D3/203.3  
 D747,869 S \* 1/2016 Priebe ..... D3/203.3  
 D761,009 S \* 7/2016 Jewell ..... D3/203.3  
 D775,462 S \* 1/2017 Noble ..... D3/203.3  
 D777,419 S \* 1/2017 Noble ..... D3/203.3  
 D799,813 S \* 10/2017 Wartenberg ..... D3/203.3  
 D812,368 S \* 3/2018 Noble ..... D3/203.3  
 9,937,101 B2 \* 4/2018 Sheu ..... A61J 7/0069  
 D828,012 S \* 9/2018 Suess ..... D3/203.3  
 D831,331 S \* 10/2018 Lee ..... D3/203.3  
 D833,733 S \* 11/2018 Chen ..... D3/203.3  
 D850,782 S \* 6/2019 Lee ..... D3/203.3  
 10,391,028 B2 \* 8/2019 Deluca ..... A61B 5/1174  
 10,420,703 B1 \* 9/2019 Lee ..... A61J 7/0084  
 10,524,986 B2 \* 1/2020 Meritt ..... A61J 7/0069  
 D877,489 S \* 3/2020 Lee ..... D3/203.2  
 D882,940 S \* 5/2020 Arn ..... D3/203.3  
 D882,941 S \* 5/2020 Deluca ..... D3/203.3  
 D891,754 S \* 8/2020 Westad ..... D3/201  
 2010/0147735 A1 \* 6/2010 Musgray, IV ..... A61J 7/04  
 206/538

\* cited by examiner



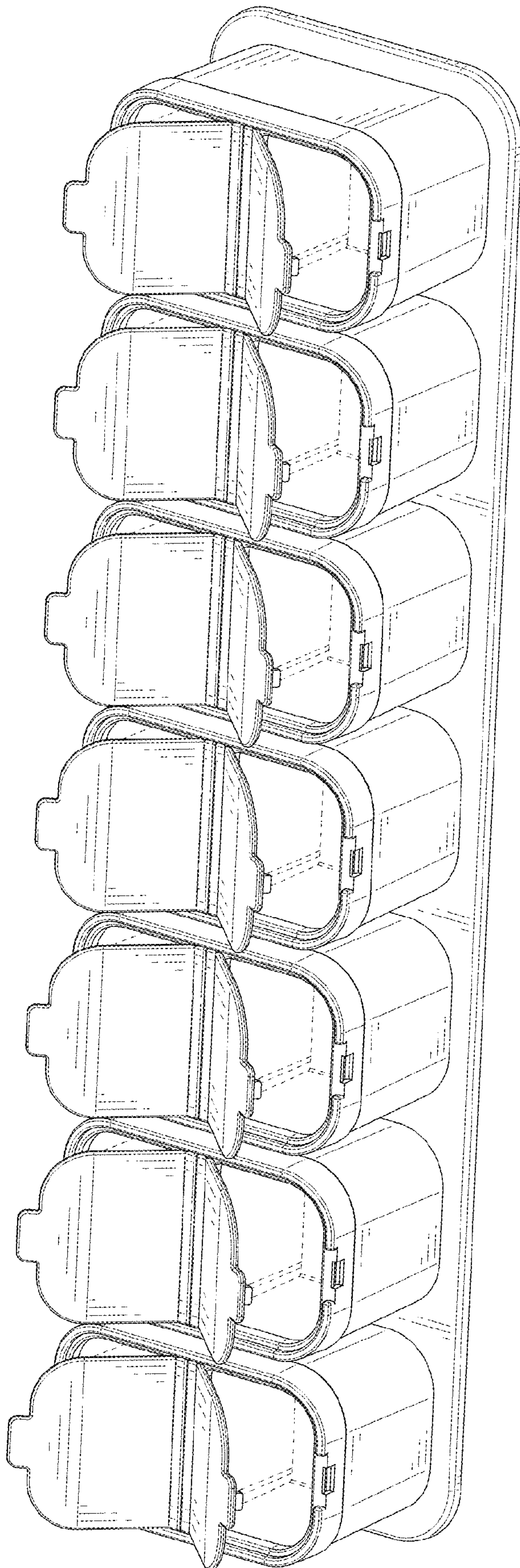


FIG. 1

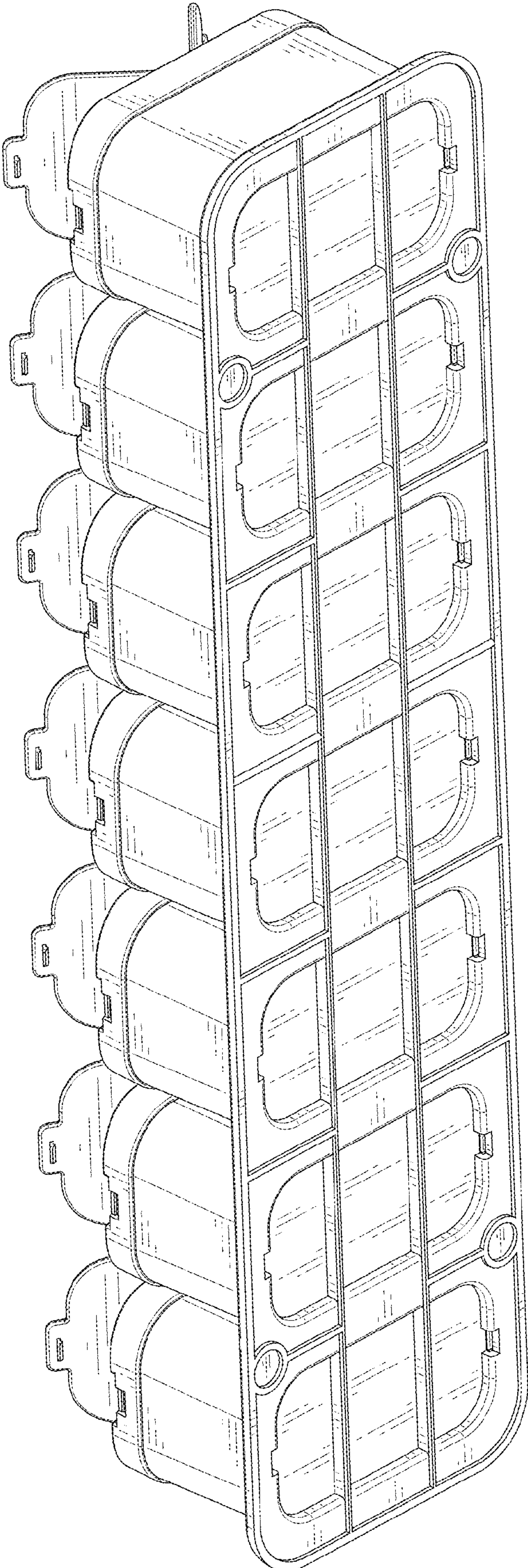


FIG. 2

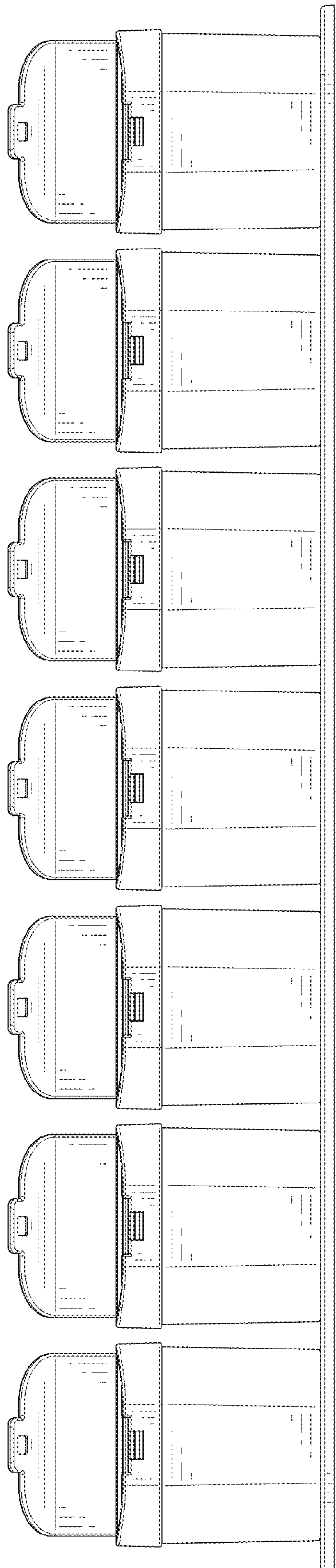


FIG. 3



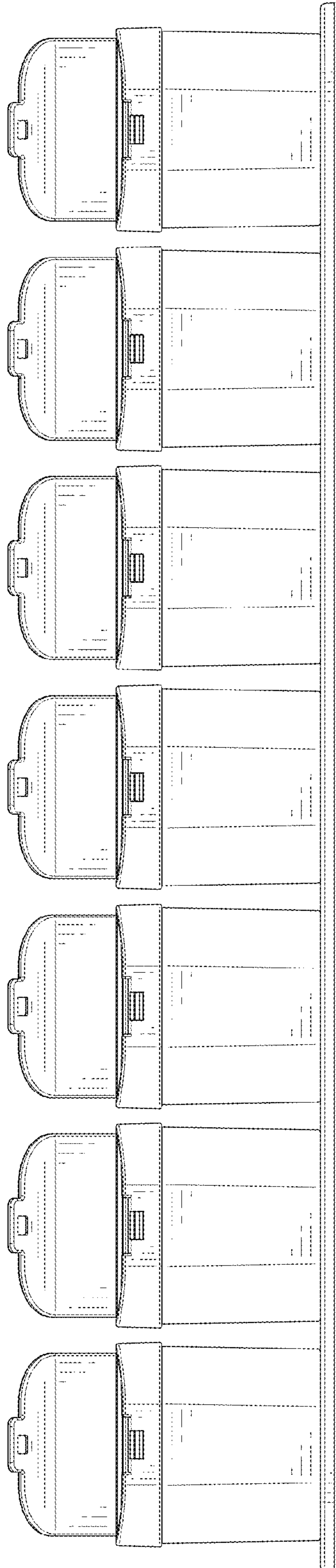


FIG. 4

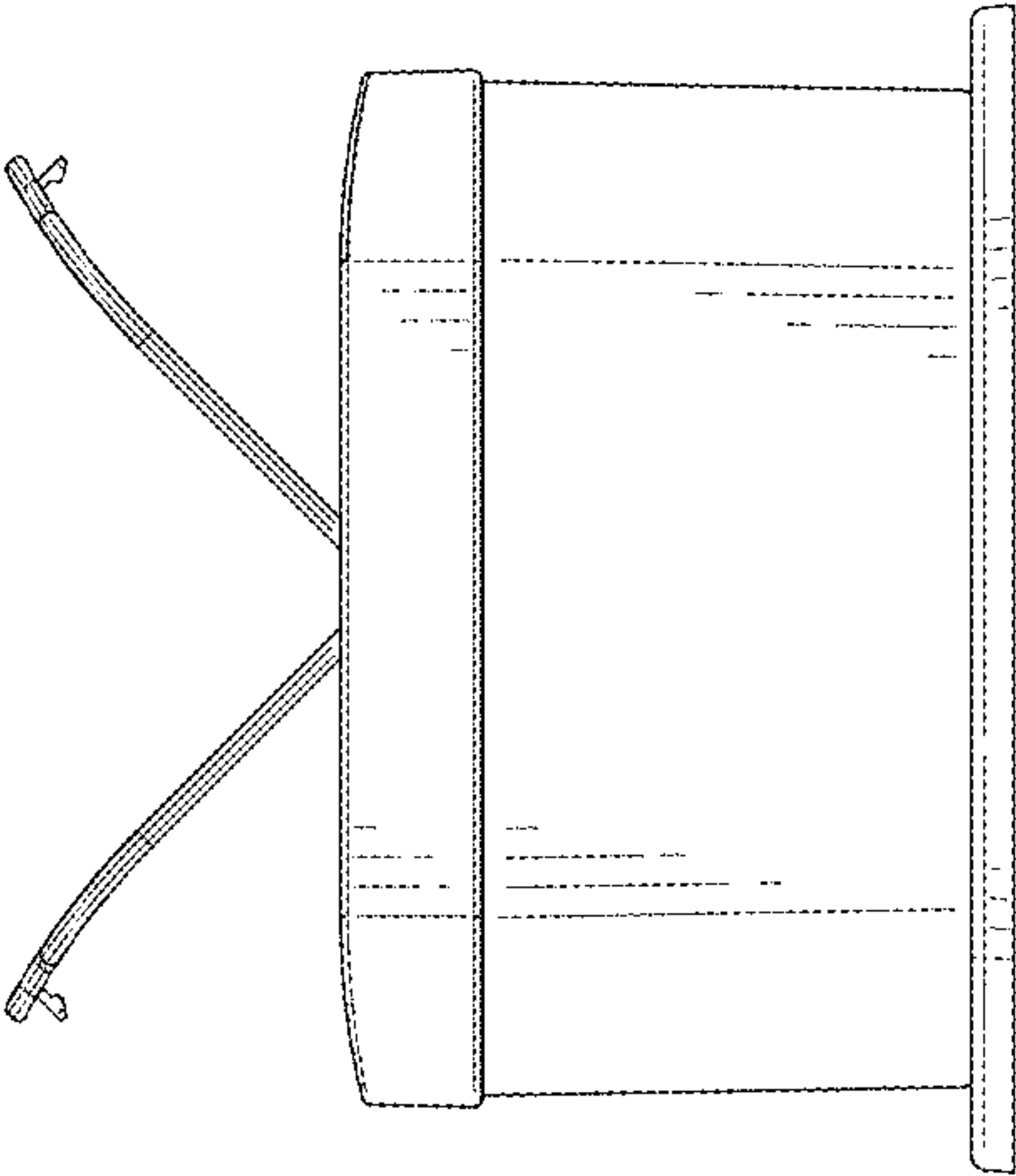


FIG. 5

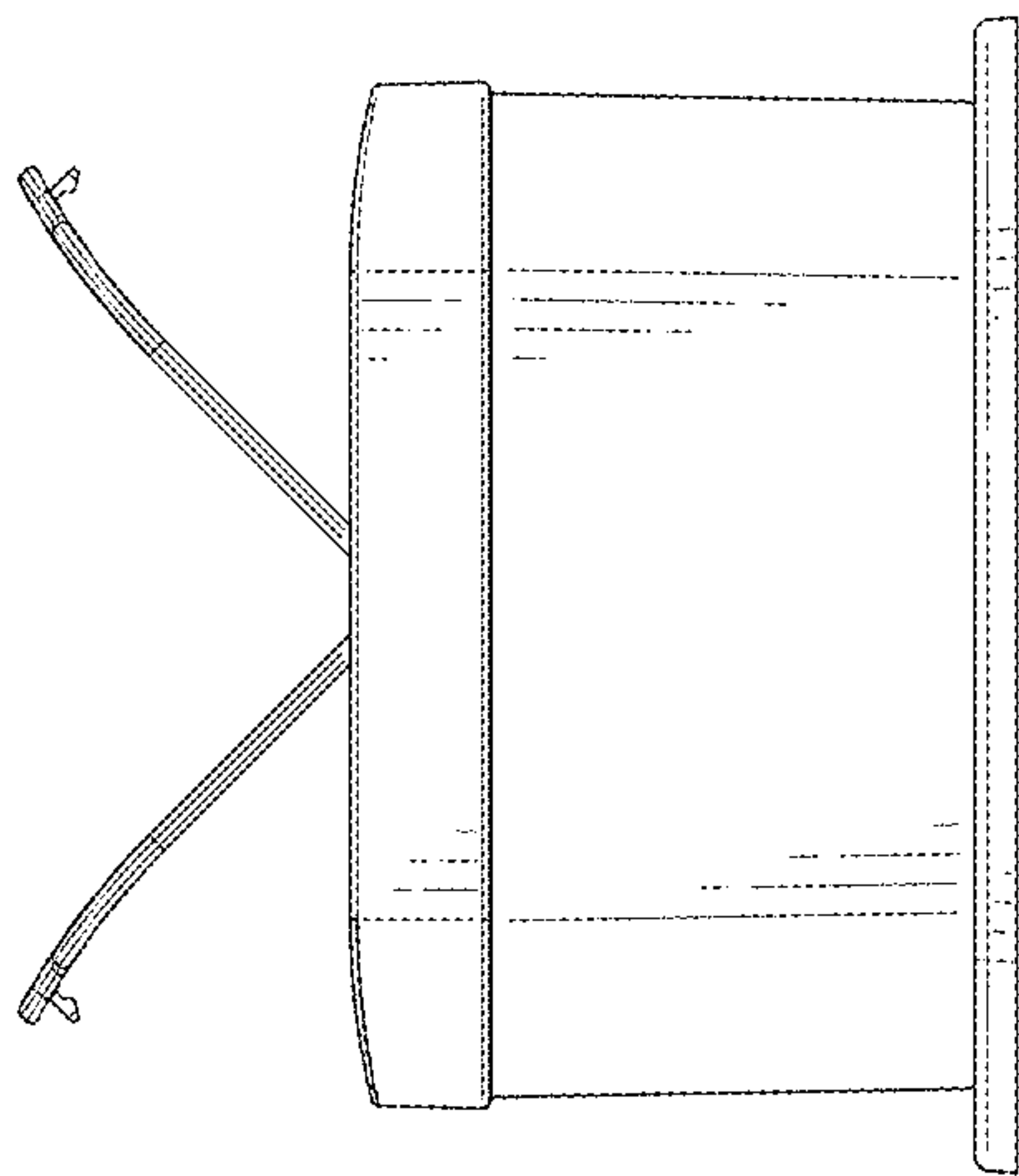


FIG. 6



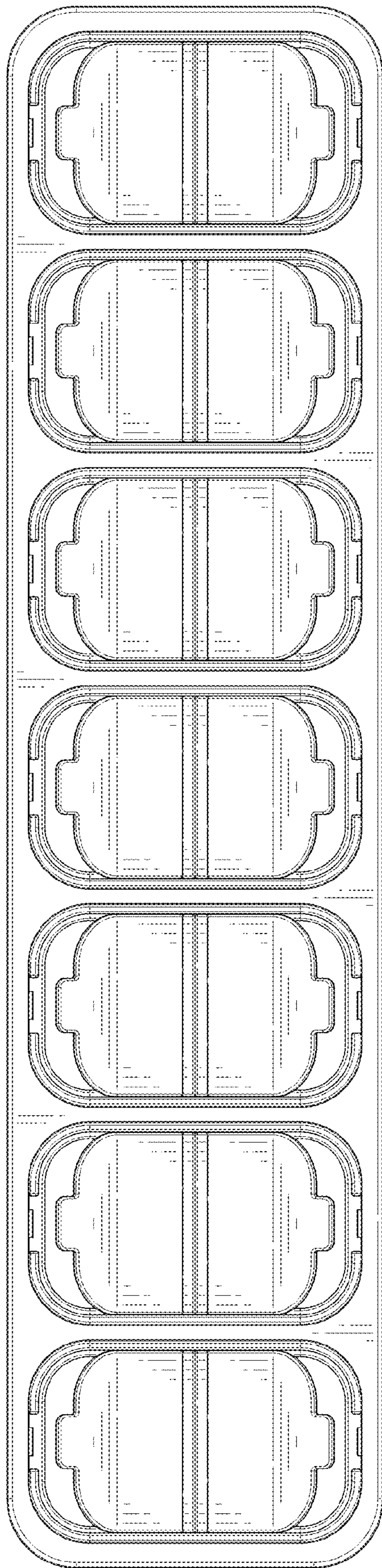


FIG. 7

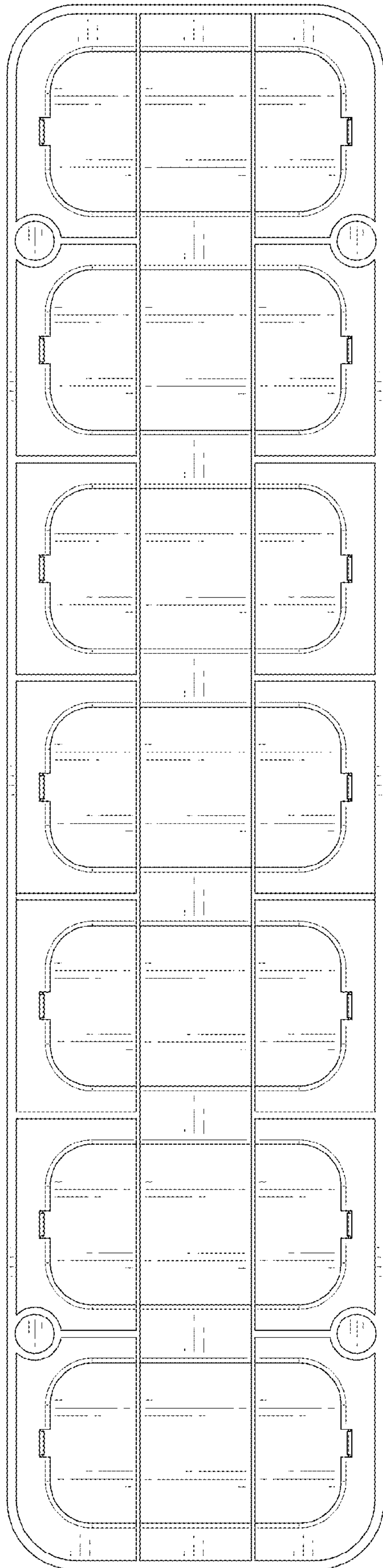


FIG. 8

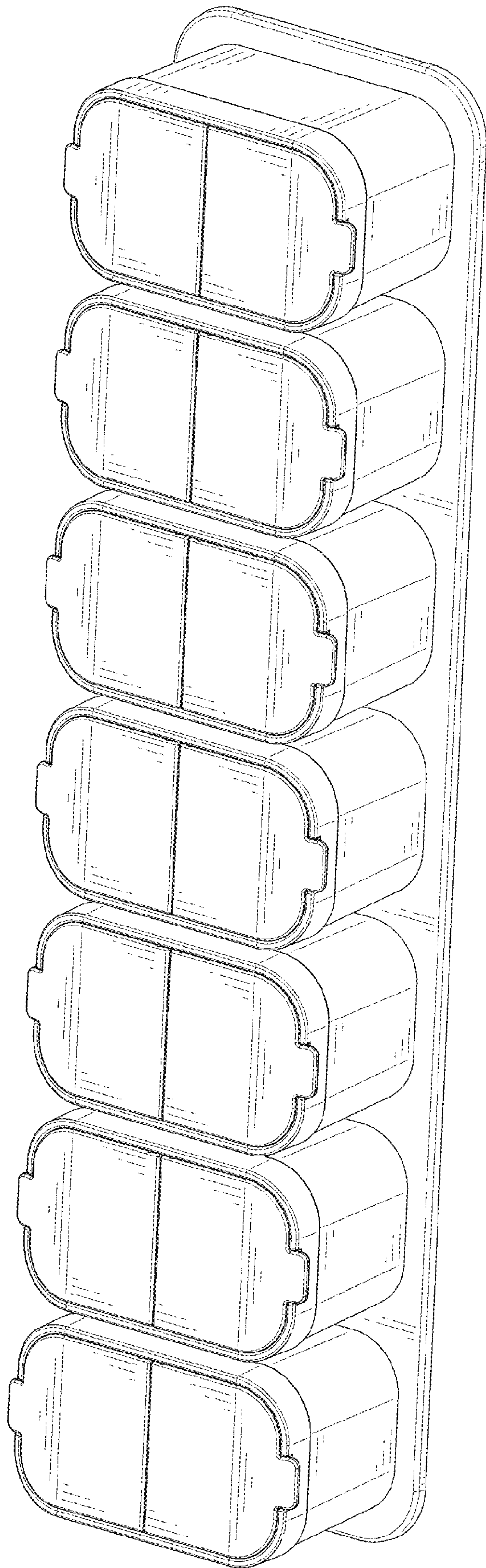


FIG. 9