



US00D897664S

(12) **United States Design Patent** (10) **Patent No.:** **US D897,664 S**
Li (45) **Date of Patent:** **** Oct. 6, 2020**

(54) **SPORT EARPHONE PROTECTIVE BOX**

(71) Applicant: **Shenzhen Xinlinpin Electronics Co. Ltd.**, Shenzhen (CN)

(72) Inventor: **Weihuan Li**, Luchuan (CN)

(**) Term: **15 Years**

(21) Appl. No.: **29/696,718**

(22) Filed: **Jun. 30, 2019**

(51) **LOC (12) Cl.** **03-01**

(52) **U.S. Cl.**

USPC **D3/201**; D3/273

(58) **Field of Classification Search**

USPC D3/201, 203.1, 204, 205, 207-208, 212, D3/215, 218, 269, 273-274, 276, 283, D3/284, 294-300, 302, 303, 315, 901, D3/903; D9/414, 418, 420, 430, 432; D28/66, 73, 76, 78, 83, 91; D14/188, D14/201, 204, 205, 209.1, 217, 250, 251, D14/440, 447

CPC ... A45C 13/002; A45C 13/005; A45C 13/025; A45C 2011/001; A45C 2011/002; A45C 2011/003

See application file for complete search history.

(56) **References Cited**

U.S. PATENT DOCUMENTS

5,638,838 A * 6/1997 Lombardi A45C 13/005
132/294
D567,032 S * 4/2008 Gilbert D7/629
D666,811 S * 9/2012 Yang D3/247
D731,793 S * 6/2015 Houghton D3/294

D738,110 S * 9/2015 Jiang D3/294
D772,572 S * 11/2016 Palmborg D3/201
D843,888 S * 3/2019 Wang D12/16.1
D846,264 S * 4/2019 Wu D3/201
D851,913 S * 6/2019 Yu D3/201
D863,677 S * 10/2019 Chung D27/172
D879,461 S * 3/2020 Burts D3/203.1
D881,810 S * 4/2020 Zhang D13/108

FOREIGN PATENT DOCUMENTS

CN 305369224 * 10/2019
CN 305625297 * 2/2020

* cited by examiner

Primary Examiner — Lilyana Bekic
Assistant Examiner — Mary Shannon Malley
(74) *Attorney, Agent, or Firm* — HYIP

(57) **CLAIM**

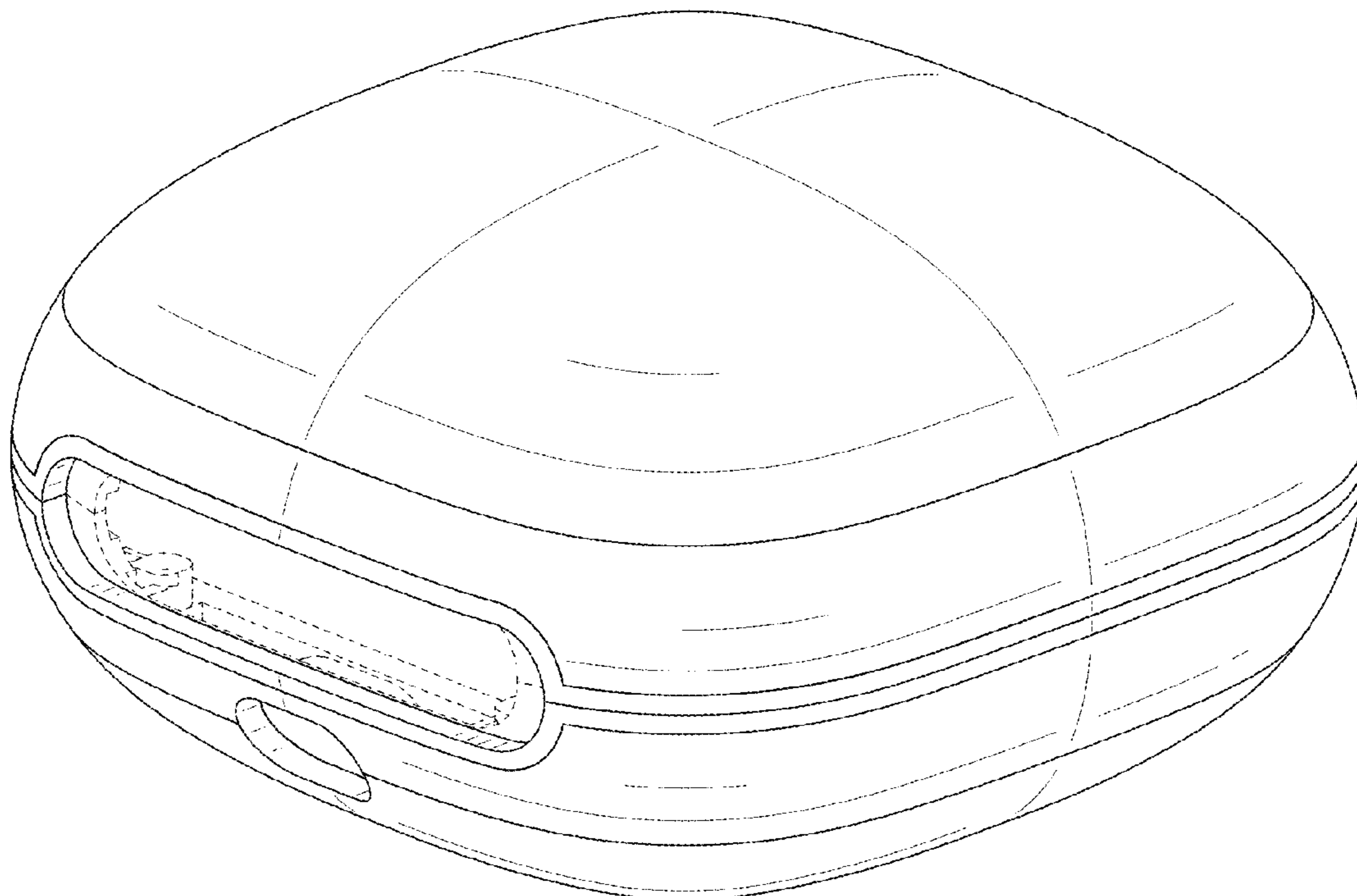
The ornamental design for a sport earphone protective box, as shown and described.

DESCRIPTION

FIG. 1 is a perspective view of a sport earphone protective box showing my design;
FIG. 2 is a front view thereof;
FIG. 3 is a back view thereof;
FIG. 4 is a left side view thereof;
FIG. 5 is a right side view thereof;
FIG. 6 is a top view thereof; and,
FIG. 7 is a bottom view thereof.

The broken lines shown in the drawings depict portions of the sport earphone protective box in which the design is embodied that form no part of the claimed design.

1 Claim, 7 Drawing Sheets



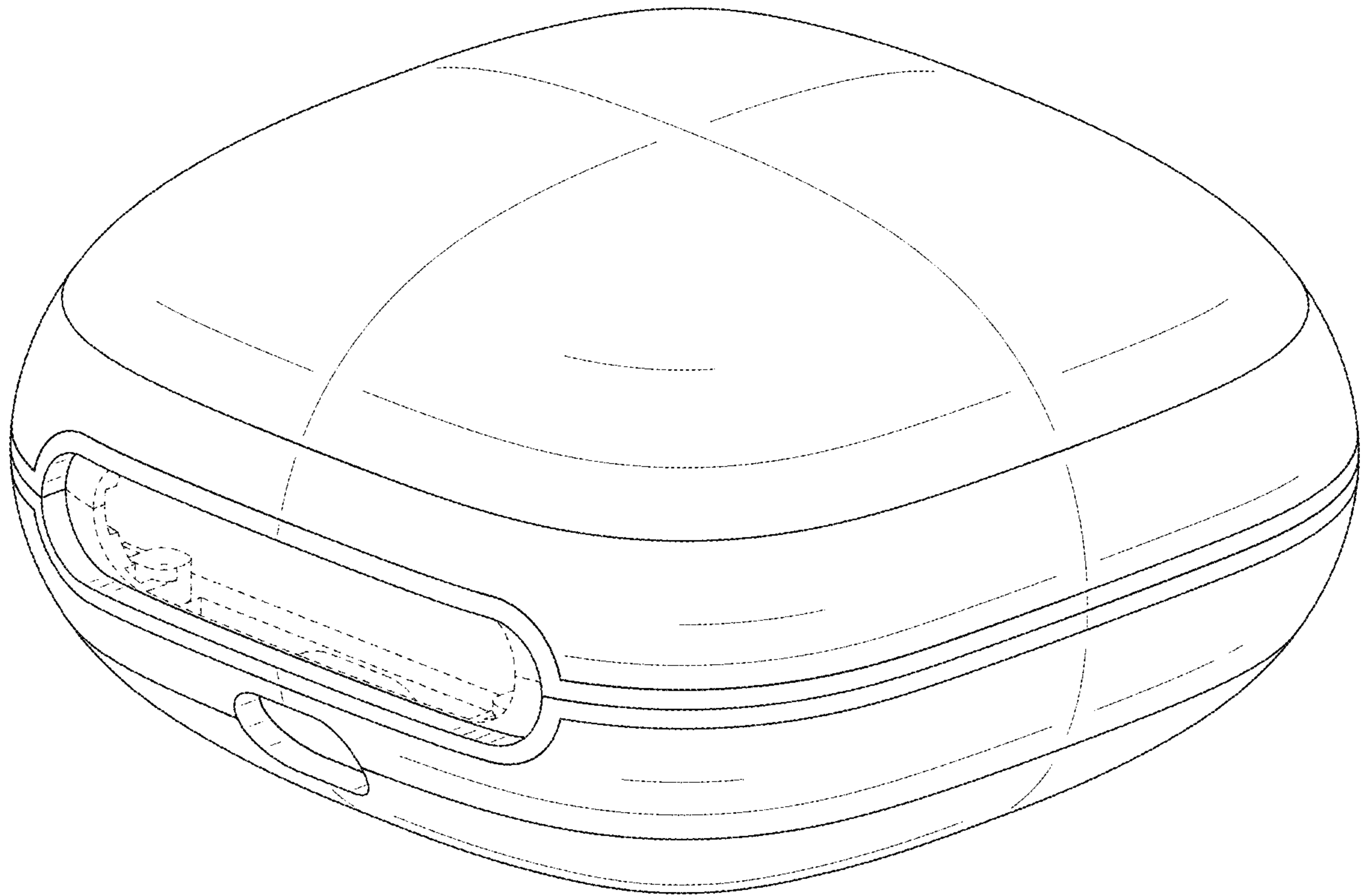


FIG. 1

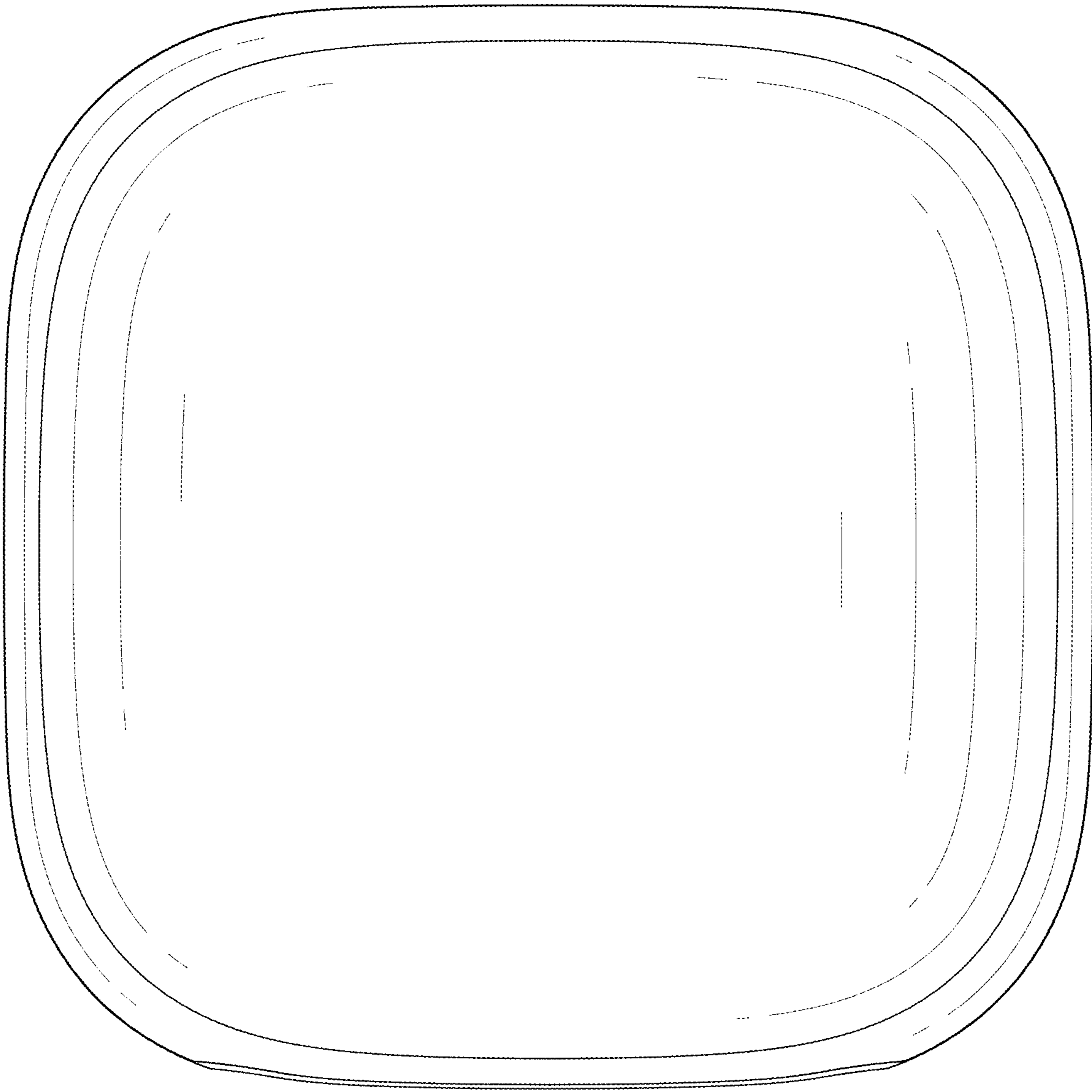


FIG. 2

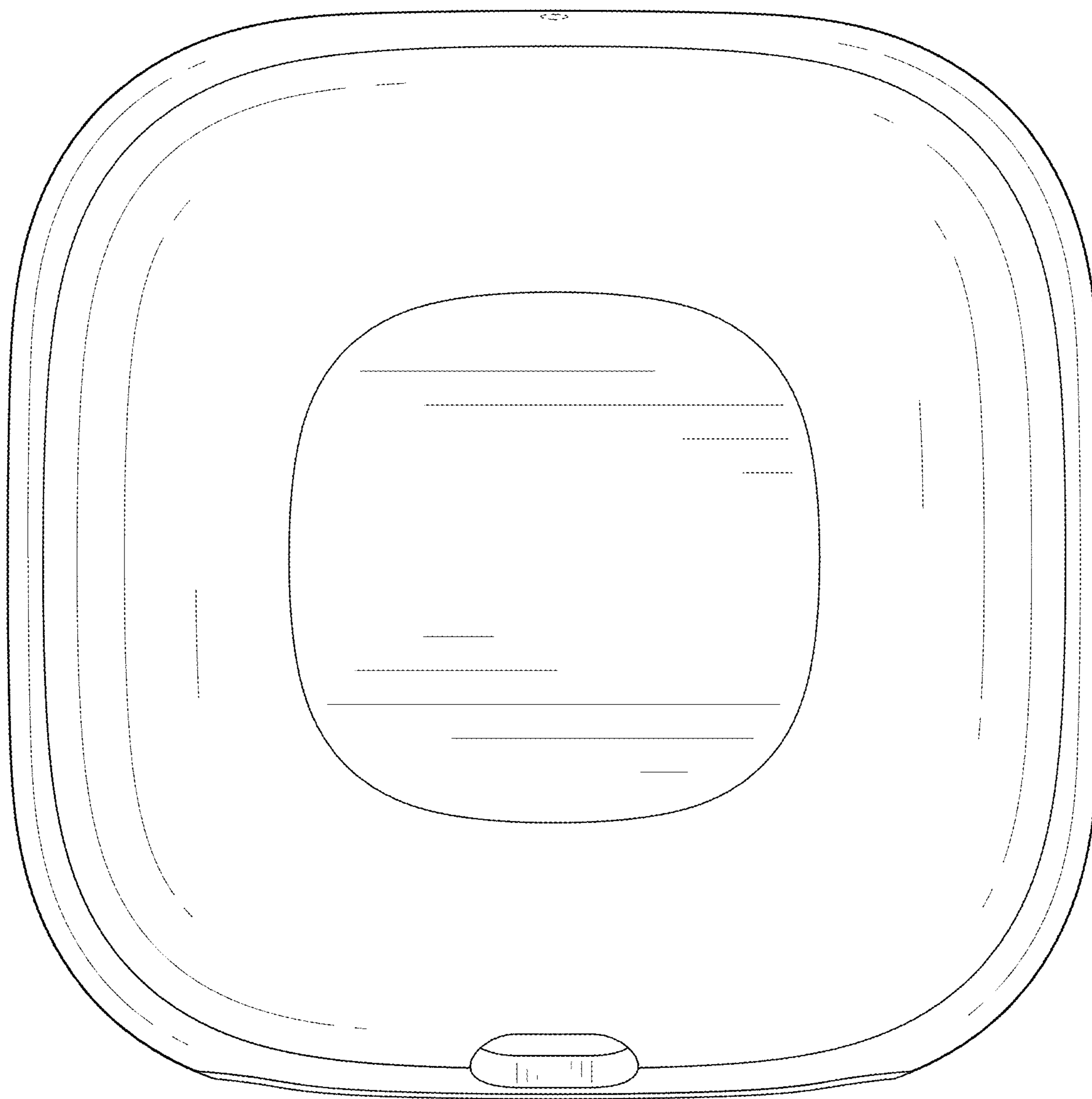


FIG. 3

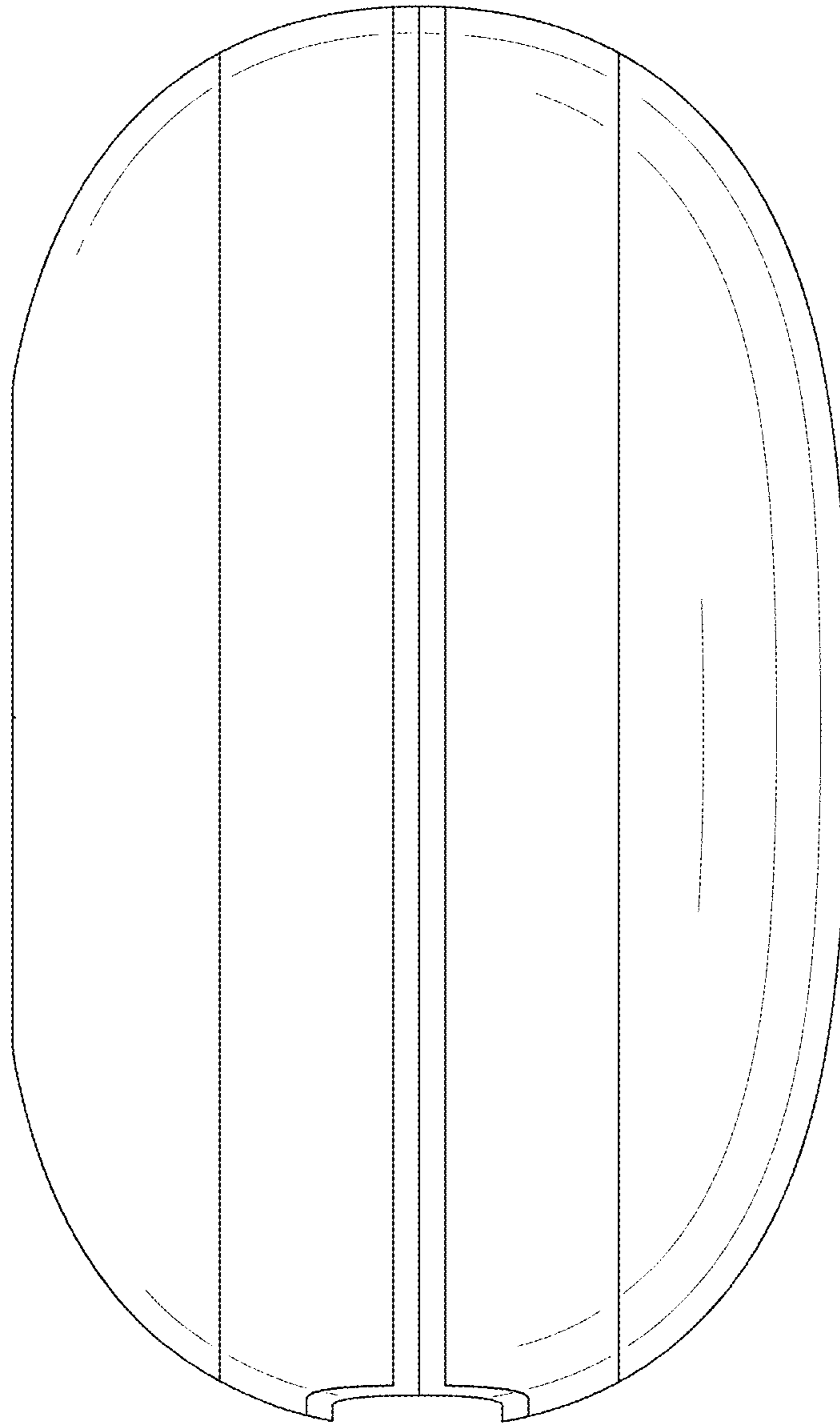


FIG. 4

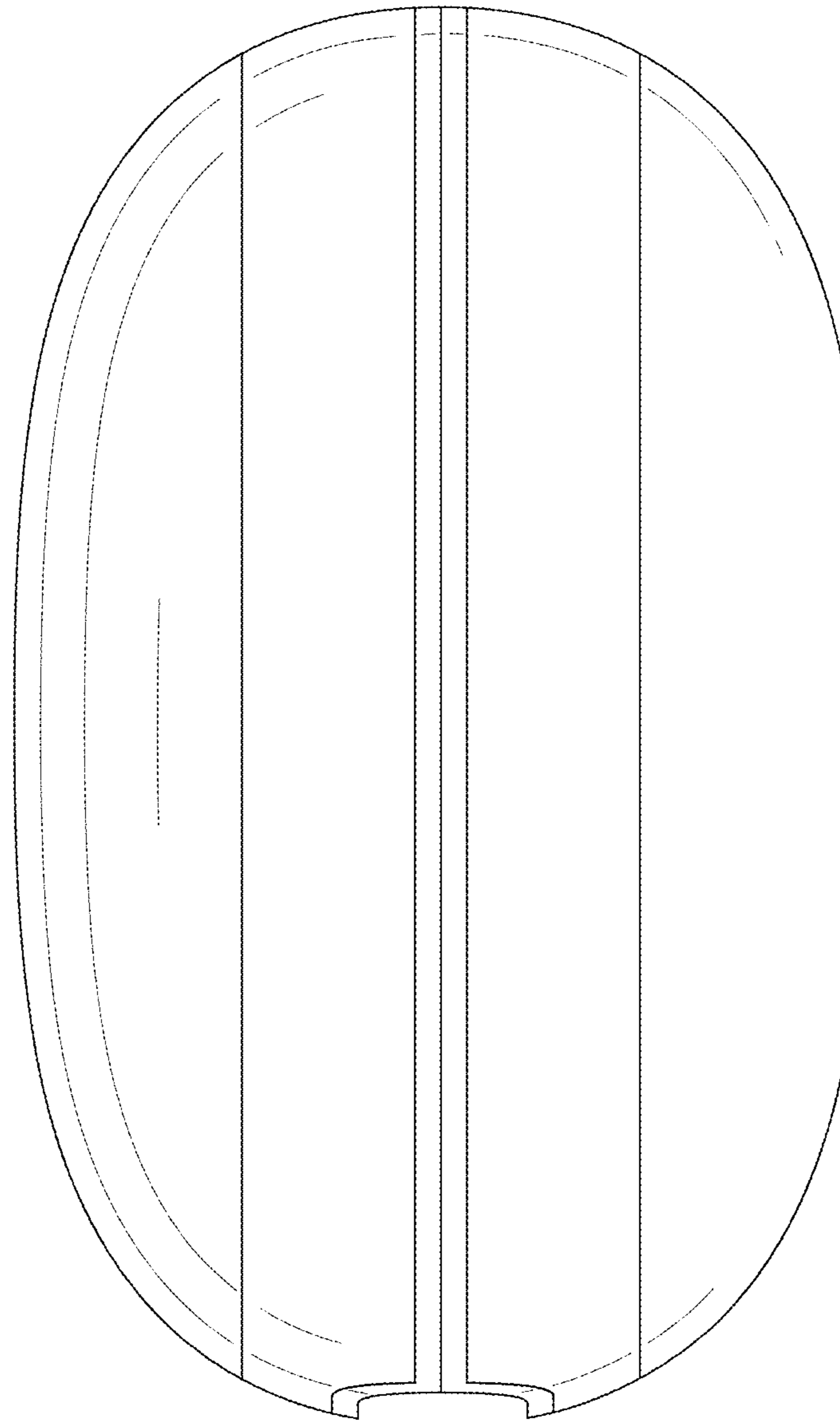


FIG. 5

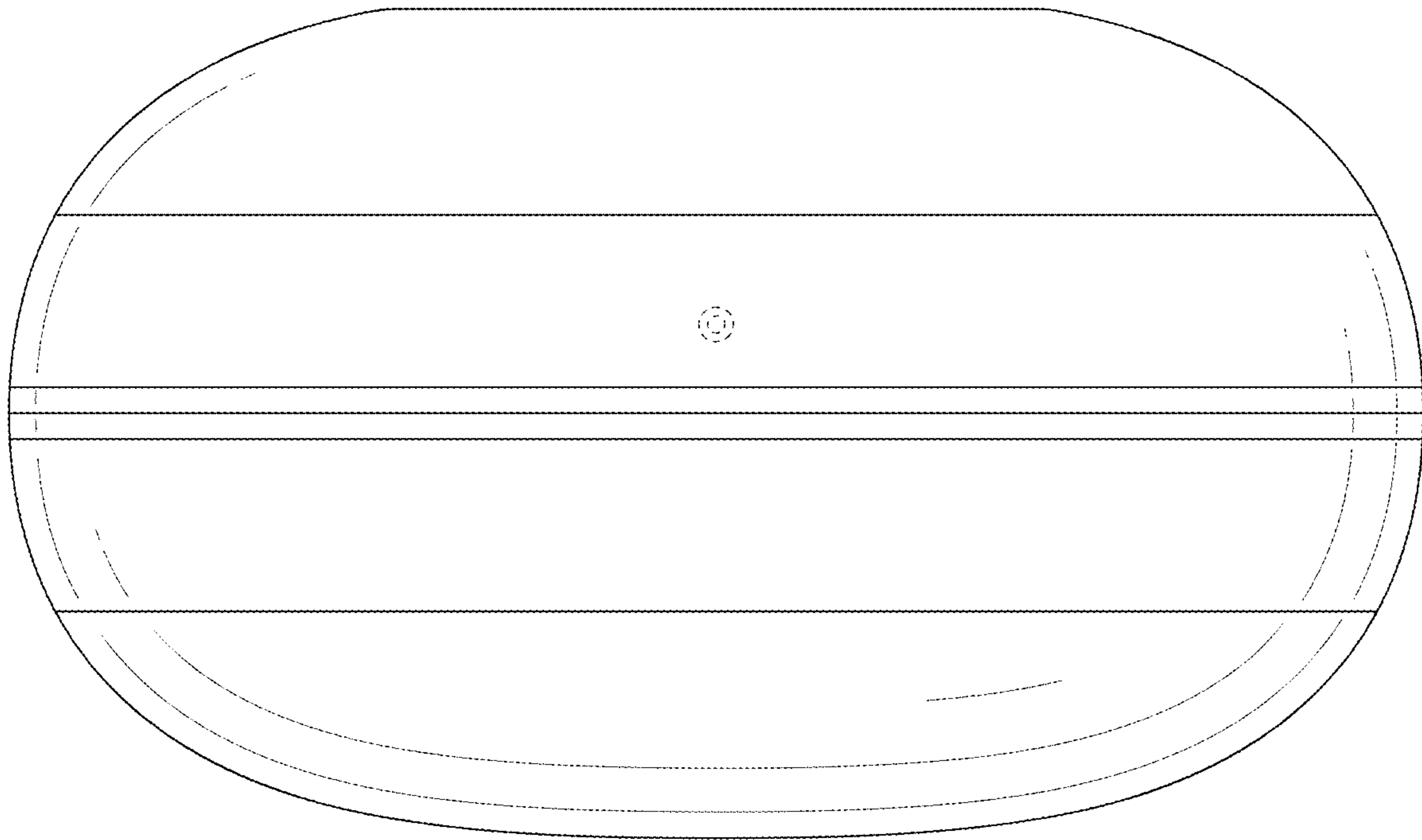


FIG. 6

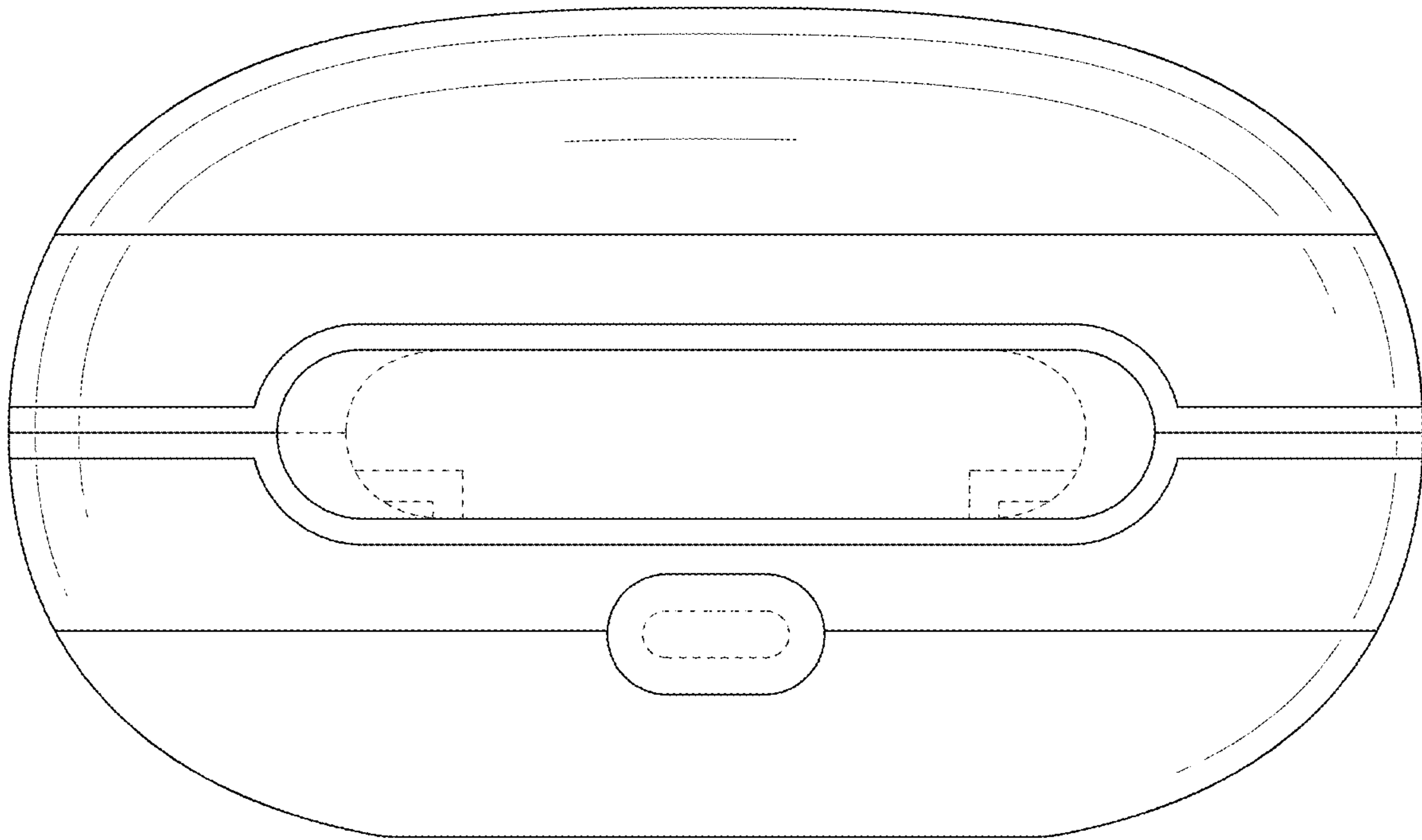


FIG. 7