

US00D897663S

(12) **United States Design Patent** (10) **Patent No.:** **US D897,663 S**
Hoxha (45) **Date of Patent:** **** *Oct. 6, 2020**

(54) **BEACH UMBRELLA WITH POCKETS**

(71) Applicant: **Dino Hoxha**, Bristol, CT (US)

(72) Inventor: **Dino Hoxha**, Bristol, CT (US)

(*) Notice: This patent is subject to a terminal disclaimer.

(**) Term: **15 Years**

(21) Appl. No.: **29/561,160**

(22) Filed: **Apr. 13, 2016**

(51) **LOC (12) Cl.** **03-03**

(52) **U.S. Cl.**
USPC **D3/5**

(58) **Field of Classification Search**
USPC D3/5, 6, 10
CPC ... A45B 11/00; A45B 17/00; A45B 2023/012;
A45B 2200/1054

See application file for complete search history.

(56) **References Cited**

U.S. PATENT DOCUMENTS

2,681,070	A *	6/1954	Ippolito	A45B 25/18
					135/16
D284,618	S *	7/1986	St. John	D3/5
D371,901	S *	7/1996	Perls	D3/5
D410,142	S *	5/1999	Chipman	D3/5
D484,678	S *	1/2004	You	D3/5
D497,479	S *	10/2004	Yu	D3/5
D546,551	S *	7/2007	de Oliveira Santos	D3/5
D618,898	S *	7/2010	Hammond	D3/5

D629,603	S *	12/2010	Liu	D3/5
D652,615	S *	1/2012	Paolucci	D3/5
D731,165	S *	6/2015	Principi	D3/5
9,057,475	B1 *	6/2015	Macfarlane	A45B 25/00
D737,565	S *	9/2015	Di Cesare	D3/5
D741,590	S *	10/2015	Varga	D3/5
D757,237	S *	5/2016	Gonzalez	D23/328
2013/0206954	A1 *	8/2013	Wells	E04H 12/2269
					248/523
2015/0090307	A1 *	4/2015	Supino	A45B 3/00
					135/15.1

* cited by examiner

Primary Examiner — Steven J Czyz

(74) *Attorney, Agent, or Firm* — Inspired Idea Solutions Law Firm; Wayne Carroll

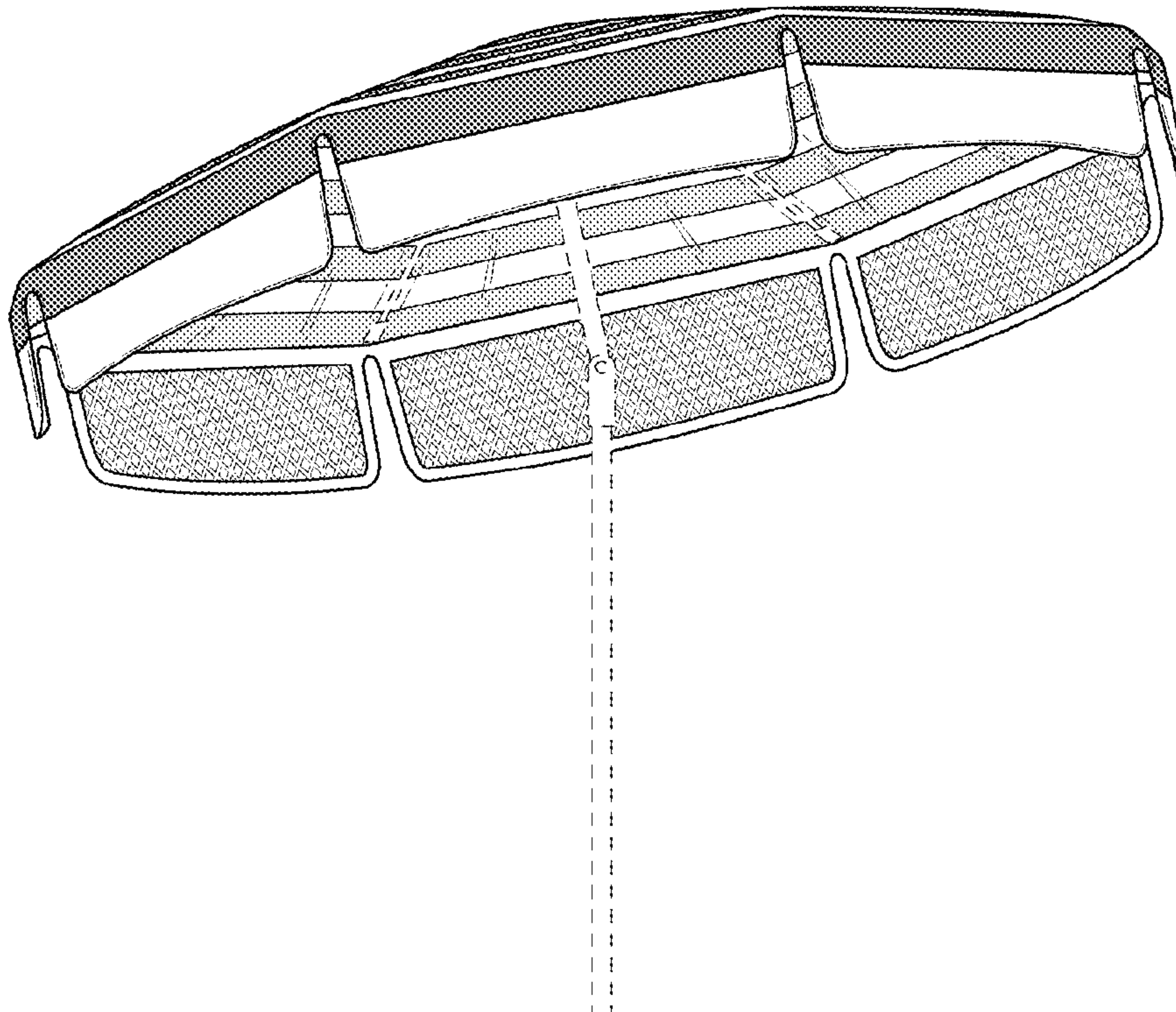
(57) **CLAIM**

The ornamental design for a beach umbrella with pockets, as shown and described.

DESCRIPTION

FIG. 1 is a perspective view of the beach umbrella with pockets showing my new design;
FIG. 2 is a front elevation view of the umbrella shown with alternate environment and in an alternate state;
FIG. 3 is a rear elevation view thereof;
FIG. 4 is a right elevation view thereof;
FIG. 5 is a left elevation view thereof;
FIG. 6 is a top plan view thereof; and,
FIG. 7 is a bottom plan view thereof.
The broken lines depict portions of the article that form no part of the claimed design.

1 Claim, 7 Drawing Sheets



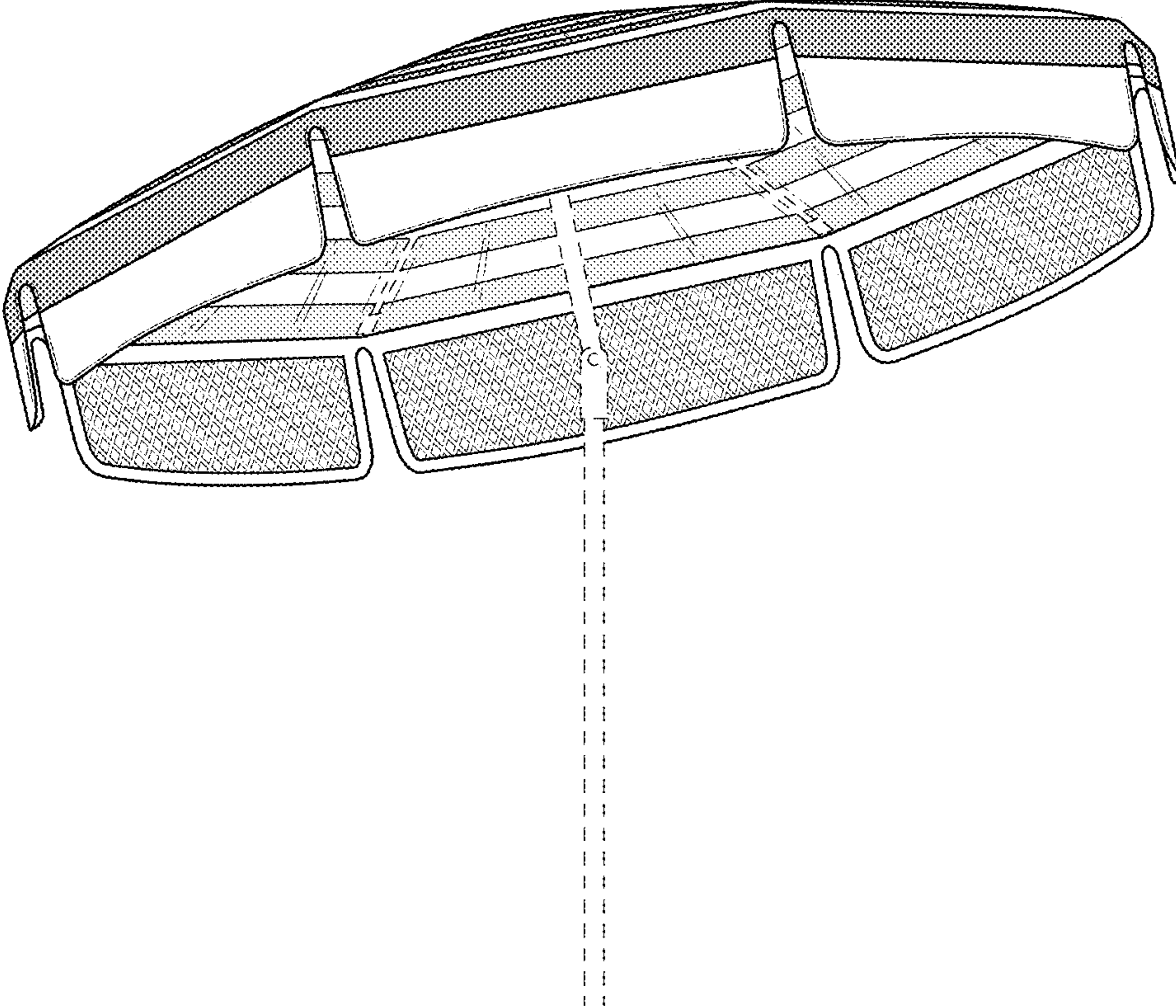


FIG. 1

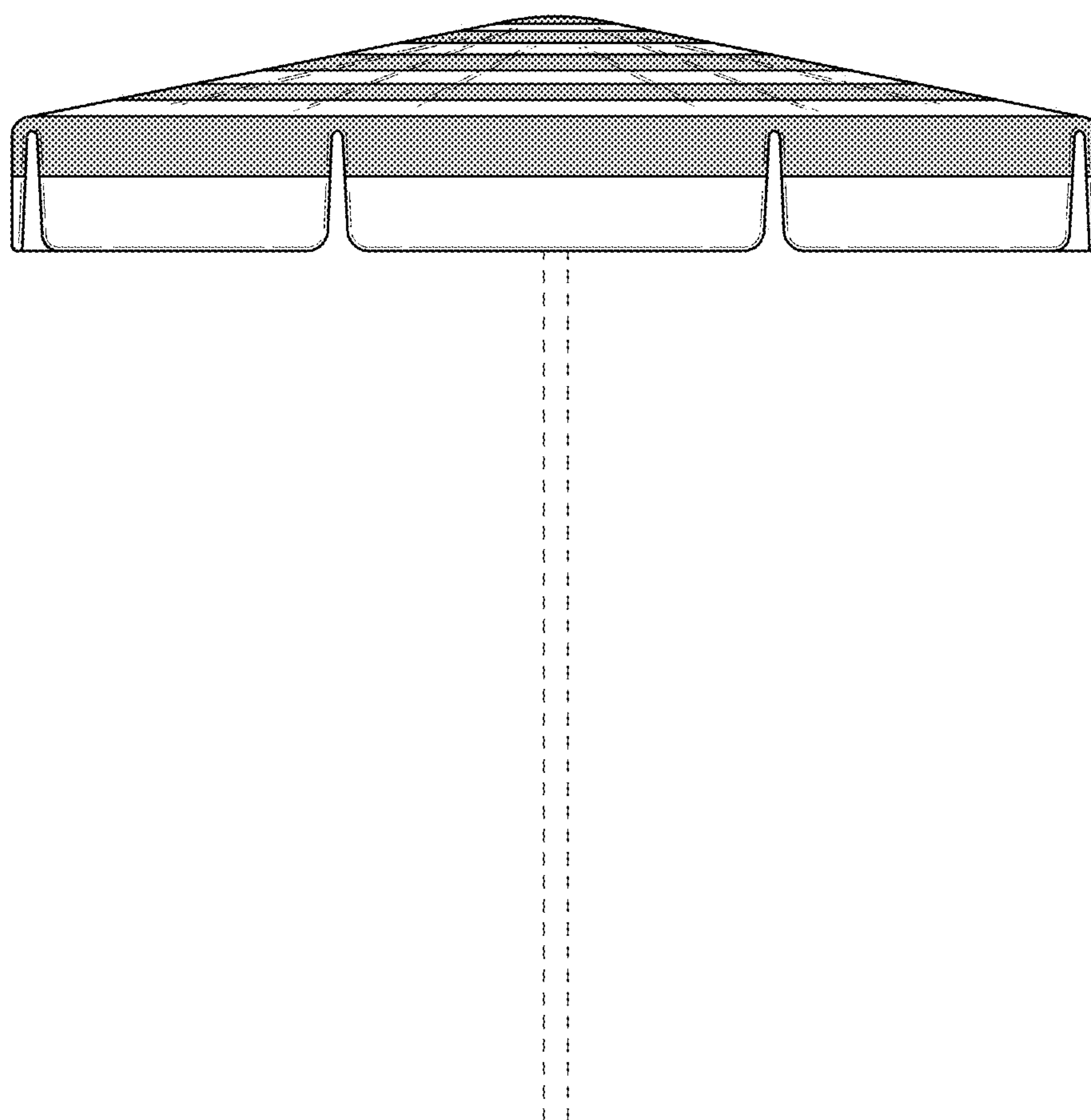


FIG. 2

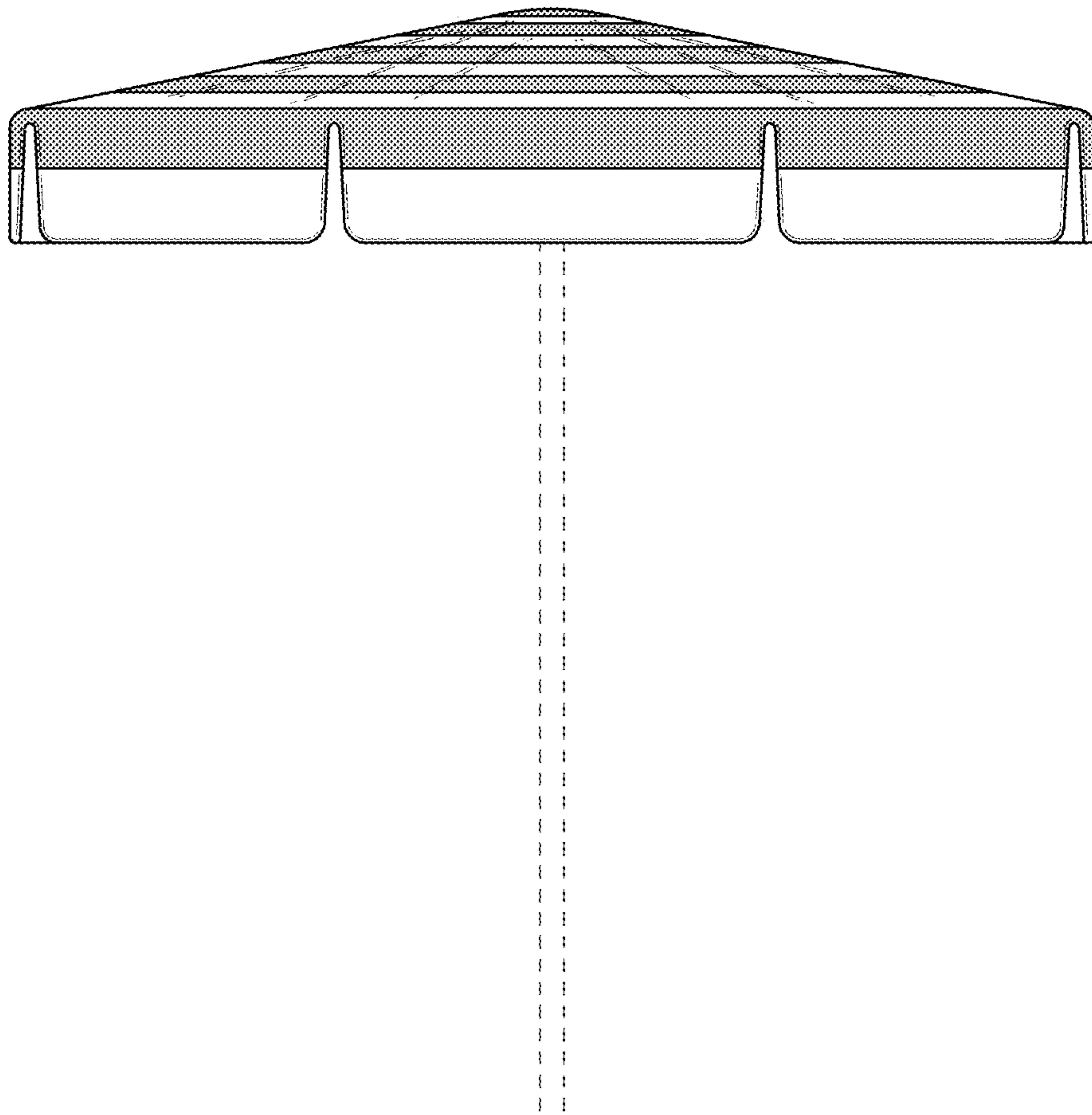


FIG. 3

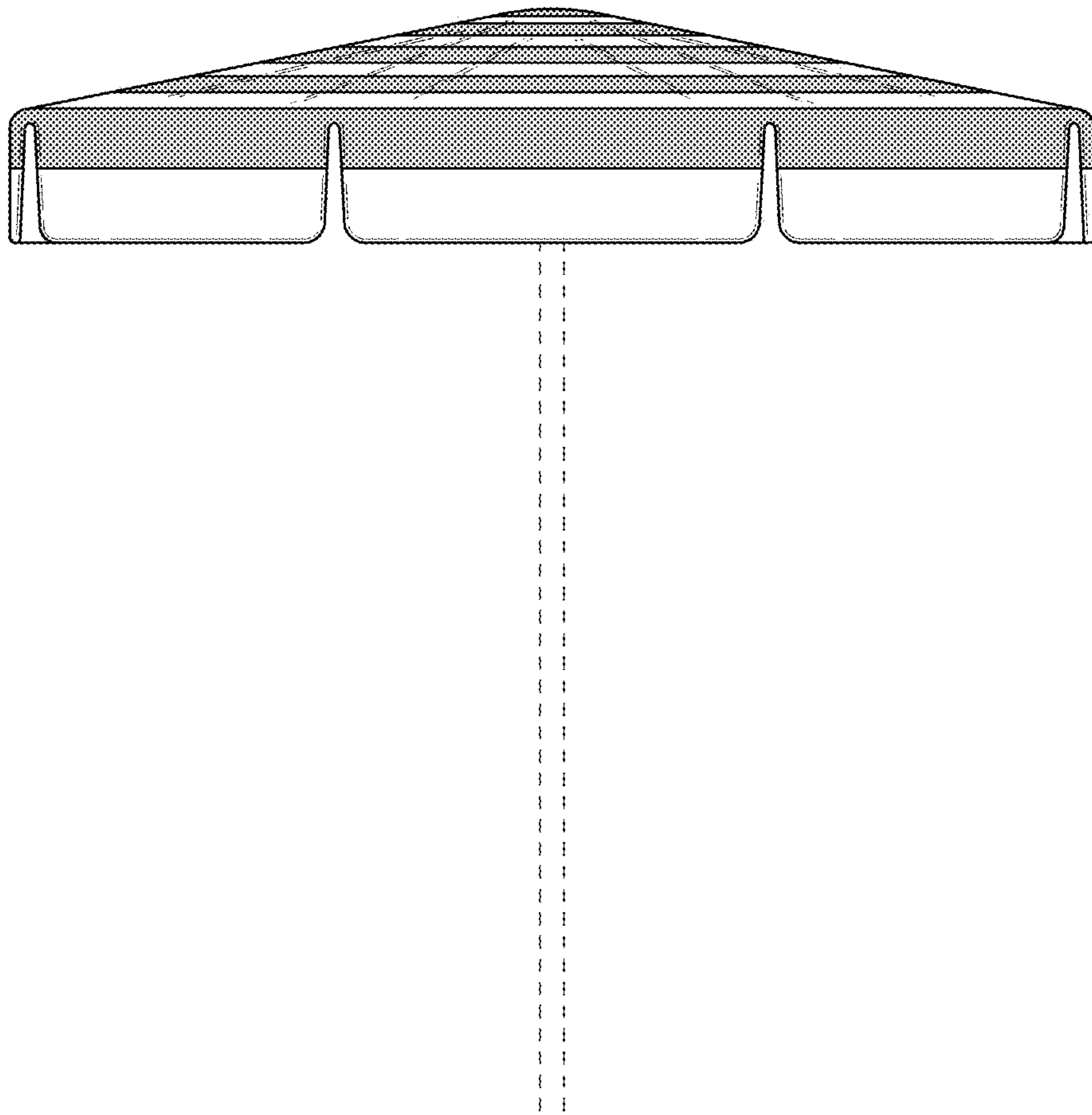


FIG. 4

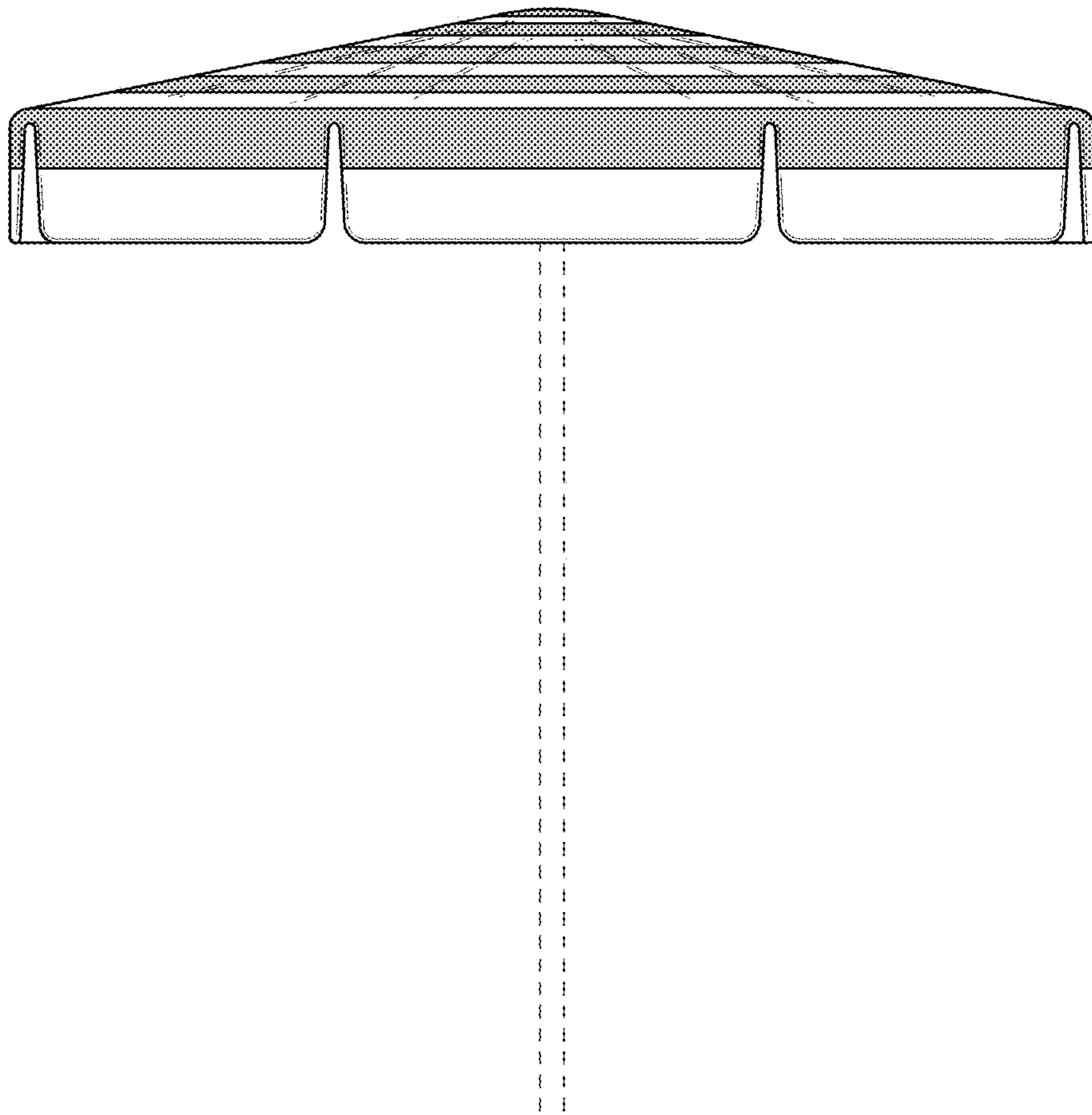


FIG. 5

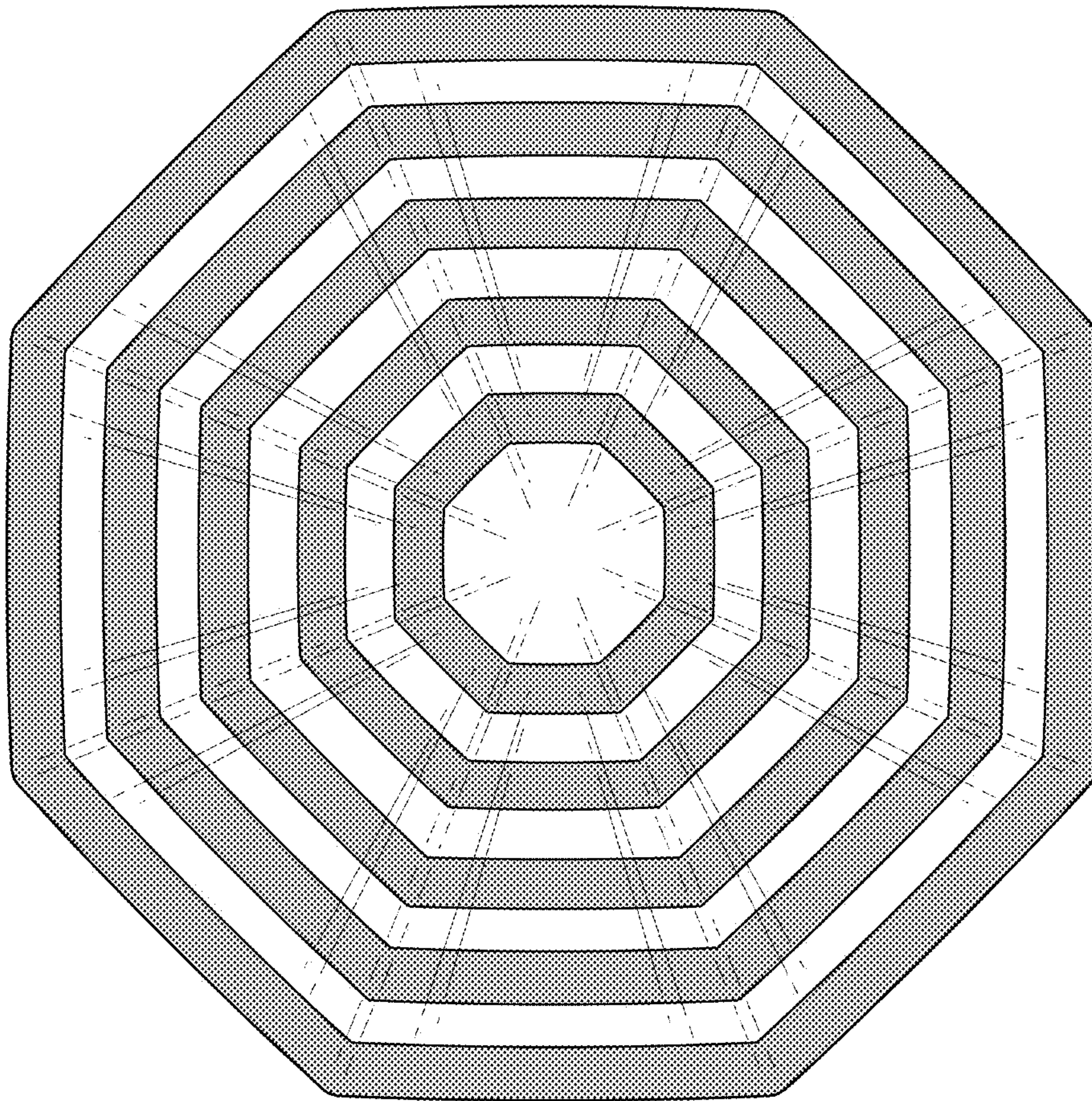


FIG. 6

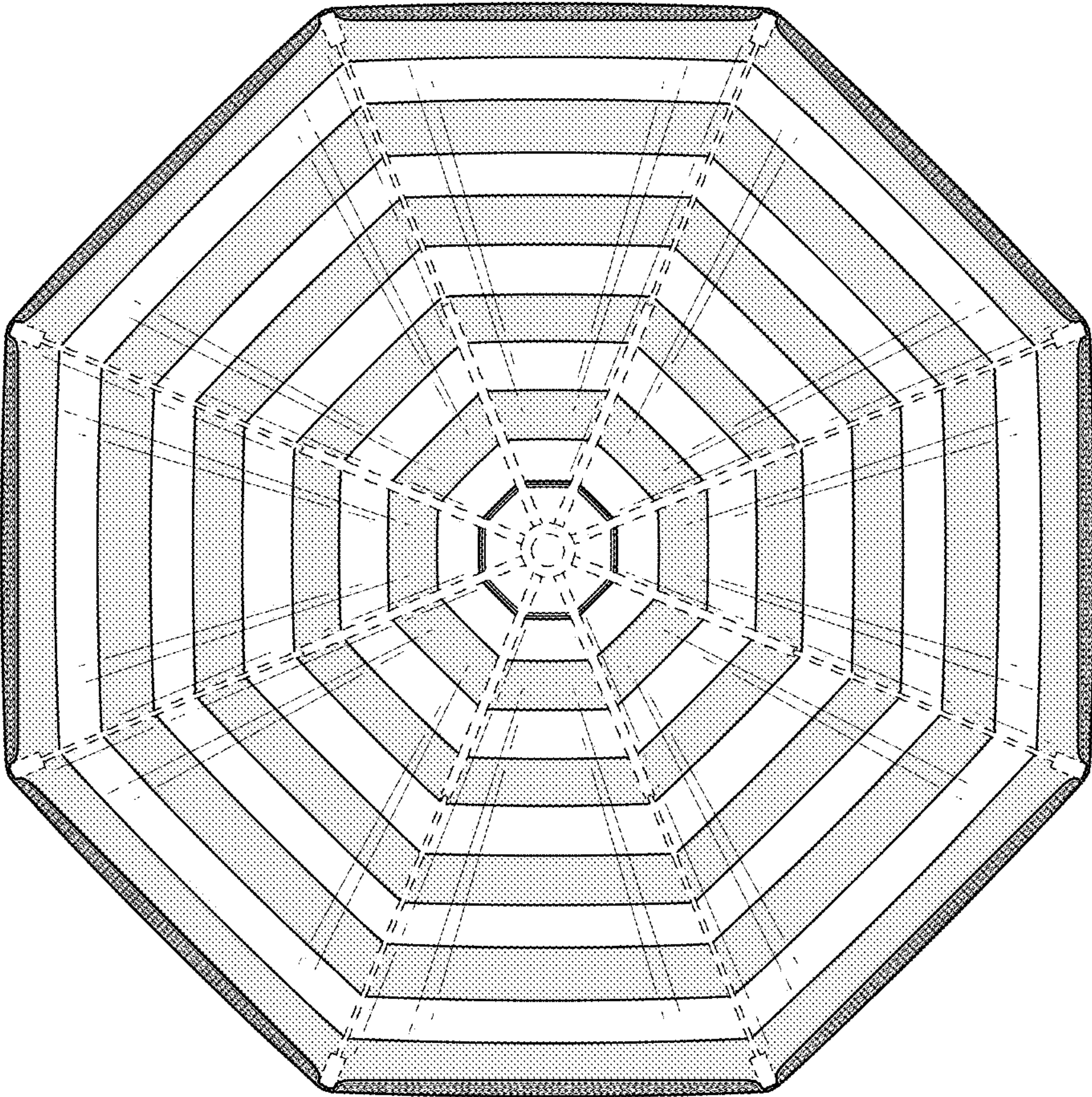


FIG. 7