



US00D897662S

(12) **United States Design Patent**  
**Nichols**

(10) **Patent No.:** **US D897,662 S**

(45) **Date of Patent:** **\*\* Oct. 6, 2020**

(54) **SHOE CLASP**

(71) Applicant: **Sherry A Nichols**, Metuchen, NJ (US)

(72) Inventor: **Sherry A Nichols**, Metuchen, NJ (US)

(\*\*) Term: **15 Years**

(21) Appl. No.: **29/657,898**

(22) Filed: **Jul. 26, 2018**

(51) **LOC (12) Cl.** ..... **02-04**

(52) **U.S. Cl.**  
USPC ..... **D2/978**

(58) **Field of Classification Search**  
USPC ..... D2/896, 946, 976, 978, 624, 625, 627,  
D2/639, 640; D11/200, 201, 206, 208,  
D11/215; D3/207  
CPC .. A43B 1/00; A43B 3/00; A43B 23/24; A43C  
1/00; A43C 3/00; A43C 3/04; A43C 7/00;  
A43C 7/08; A43C 11/00; A43C 11/08;  
A43C 11/24  
See application file for complete search history.

(56) **References Cited**

**U.S. PATENT DOCUMENTS**

1,038,939	A *	9/1912	Murray et al. ....	A43B 23/28 36/58.5
D75,710	S *	7/1928	Ballou et al. ....	D2/978
1,855,345	A *	4/1932	Fischer, Jr. ....	A43C 11/22 36/58.5
4,308,672	A *	1/1982	Antonious ....	A43C 11/1493 24/306
5,090,277	A *	2/1992	Spiller ....	A43B 1/0027 254/131
D328,517	S *	8/1992	Hallenbeck ....	D2/978
D348,214	S *	6/1994	Girardin ....	D8/367
D368,239	S	3/1996	Lozano	
D390,496	S	2/1998	Olsen	
6,651,359	B1	11/2003	Bricker	
D492,104	S	6/2004	Pezzolante	

D503,032	S *	3/2005	Choi .....	D2/972
D571,097	S	6/2008	Della Valle	
D611,694	S	3/2010	Cheslock	
D612,593	S	3/2010	Cheslock	
D614,847	S	5/2010	Cheslock	
D625,988	S *	10/2010	Chan .....	D8/367
7,996,962	B2 *	8/2011	Peterson .....	F16B 45/02 24/129 R
D650,983	S *	12/2011	Waldman .....	D2/946
D665,160	S *	8/2012	Little-Thomas .....	D2/946
D701,372	S *	3/2014	Portzline .....	D2/896
D725,373	S *	3/2015	Jiang .....	D3/207
D748,390	S	2/2016	Sykes	
D751,282	S *	3/2016	Larue .....	D2/946
9,322,428	B2 *	4/2016	Perner .....	F16B 45/02
D769,609	S	10/2016	Rhymes	
D773,911	S *	12/2016	Louis .....	D8/34
D821,090	S *	6/2018	Case .....	D3/207

\* cited by examiner

*Primary Examiner* — Elizabeth J Oswecki

(74) *Attorney, Agent, or Firm* — Karin A. Bartels

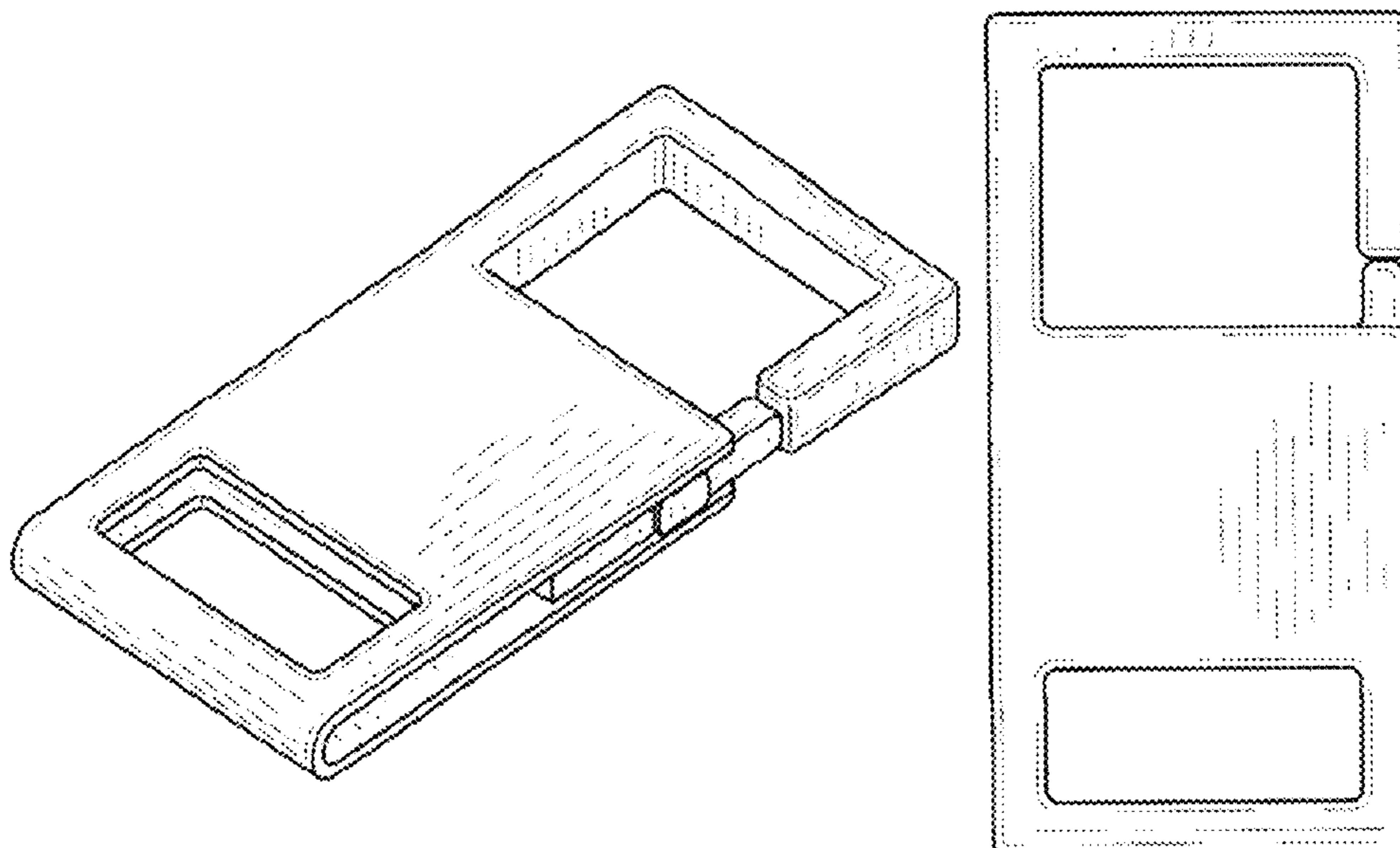
(57) **CLAIM**

The ornamental design for a shoe clasp, as shown and described.

**DESCRIPTION**

FIG. 1 is a front perspective view of a shoe clasp showing my new design;  
 FIG. 2 is a front view thereof;  
 FIG. 3 is a left side view thereof;  
 FIG. 4 is a right side view thereof;  
 FIG. 5 is a top plan view thereof; and,  
 FIG. 6 is another front perspective view thereof, shown in a used condition with a shoe, a strap and a second shoe clasp shown in broken lines.  
 The broken line portions in FIG. 6 show unclaimed subject matter for the purpose of illustrating the environmental structure and forms no part of the claimed design.

**1 Claim, 3 Drawing Sheets**



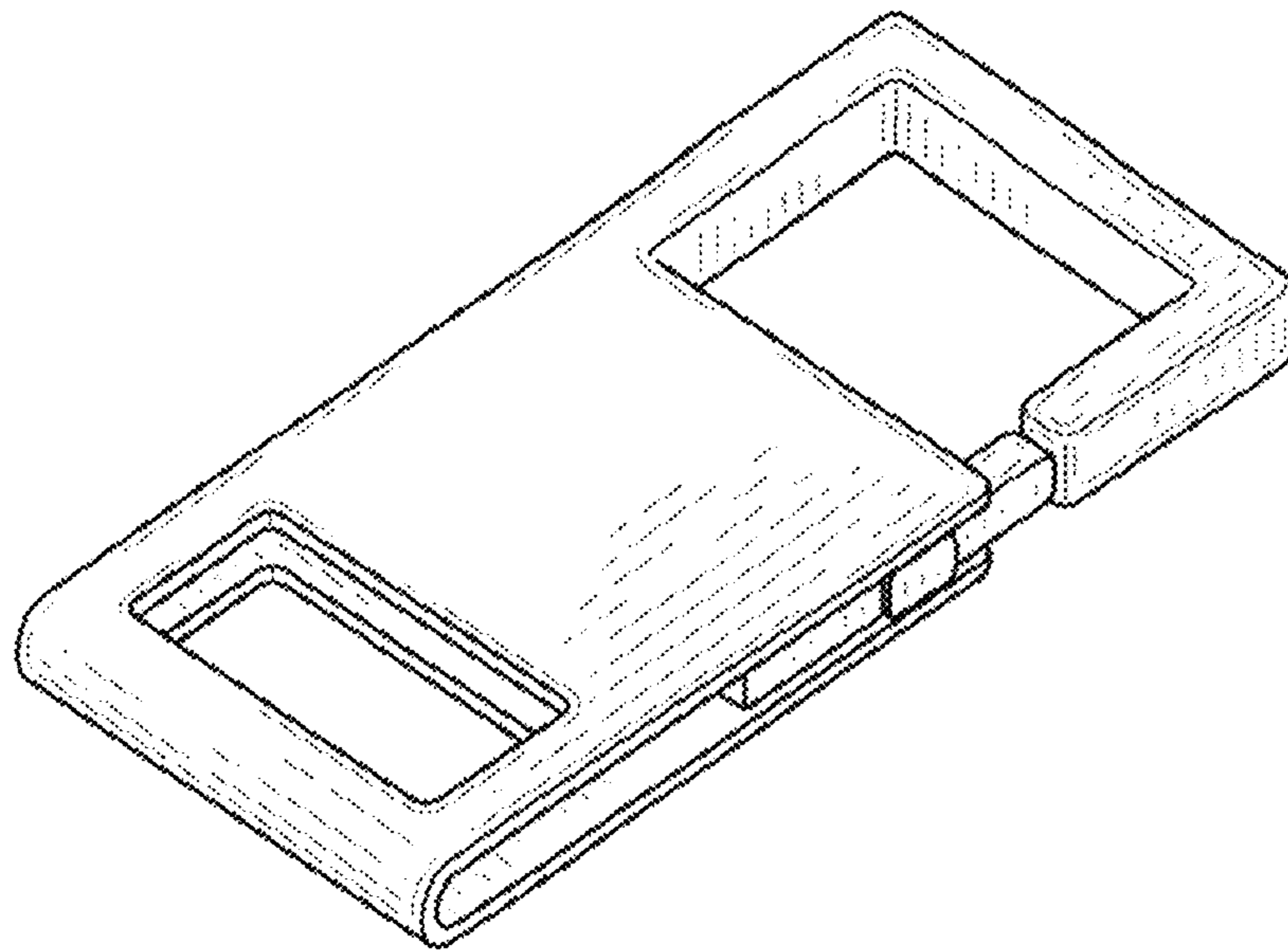


FIG. 1

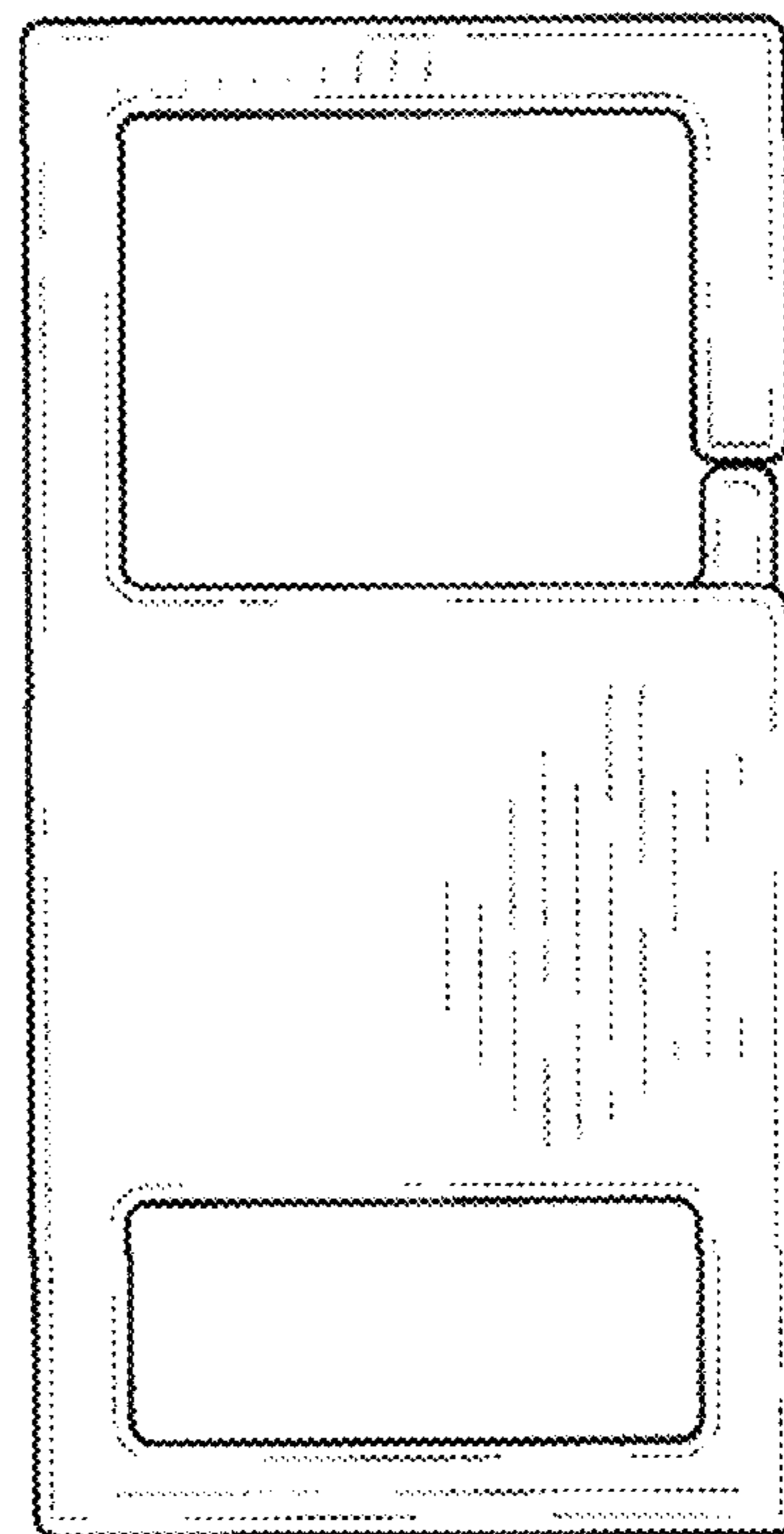


FIG. 2

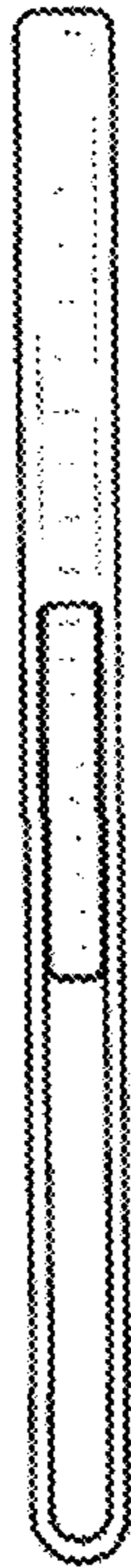


FIG. 3



FIG. 4

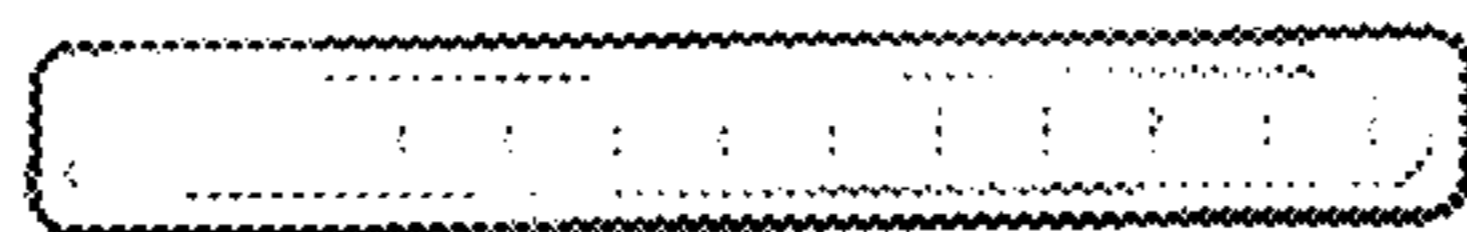


FIG. 5

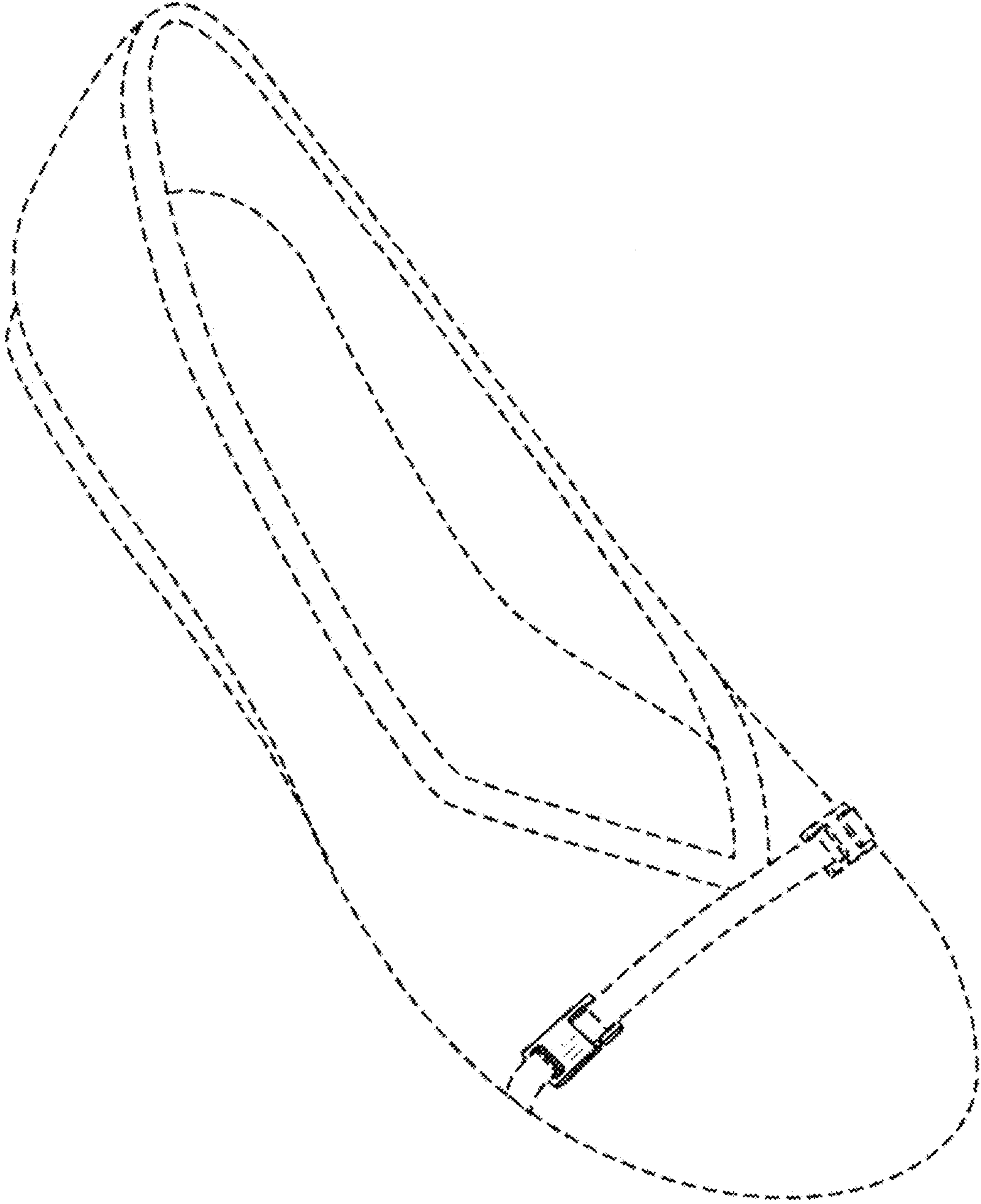


FIG. 6