

US00D897661S

(12) **United States Design Patent**
Nickel

(10) **Patent No.:** **US D897,661 S**

(45) **Date of Patent:** **** Oct. 6, 2020**

(54) LACE TIGHTENING DEVICE	D735,987 S *	8/2015	Hsu	A43B 3/0021 D2/978
(71) Applicant: Boa Technology Inc. , Denver, CO (US)	D751,281 S *	3/2016	Nickel	A43C 7/005 D2/978
(72) Inventor: Michael J. Nickel , Golden, CO (US)	9,737,115 B2 *	8/2017	Soderberg	A43C 1/003
	10,342,294 B2 *	7/2019	Lovett	
(73) Assignee: BOA TECHNOLOGY INC. , Denver, CO (US)	2010/0139057 A1 *	6/2010	Soderberg	A43C 11/16 24/68 R
	2012/0004587 A1 *	1/2012	Nickel	A61F 5/0118 602/21

(**) Term: **15 Years**

(21) Appl. No.: **29/606,794**

(22) Filed: **Jun. 7, 2017**

(51) **LOC (12) Cl.** **02-04**

(52) **U.S. Cl.**
USPC **D2/978**; D2/946

(58) **Field of Classification Search**
USPC D2/896-899, 902, 907, 946, 976, 978
CPC .. A43C 1/003; A43C 9/04; A43C 7/00; A43C
11/00; A43C 13/10; A43C 7/08; A43C
7/005; A43B 3/0021

See application file for complete search history.

(56) **References Cited**

U.S. PATENT DOCUMENTS

3,106,003 A *	10/1963	Herdman	A43C 7/00 24/712.3
D367,755 S *	3/1996	Jones	A43C 11/165 D2/978
5,649,342 A *	7/1997	D'Andrade	A43C 7/005 24/712.2
6,188,324 B1 *	2/2001	Meschkow	A43B 3/0021 340/573.1
D456,130 S *	4/2002	Towns	A43B 1/0054 D2/978
8,516,662 B2 *	8/2013	Goodman	A43C 11/165 24/68 SK

OTHER PUBLICATIONS

Notification of Refusal for Japan Registration No. DM/099693, dated Nov. 9, 2018, all pages.

* cited by examiner

Primary Examiner — Rashida C. Walshon
(74) *Attorney, Agent, or Firm* — Kilpatrick Townsend & Stockton, LLP

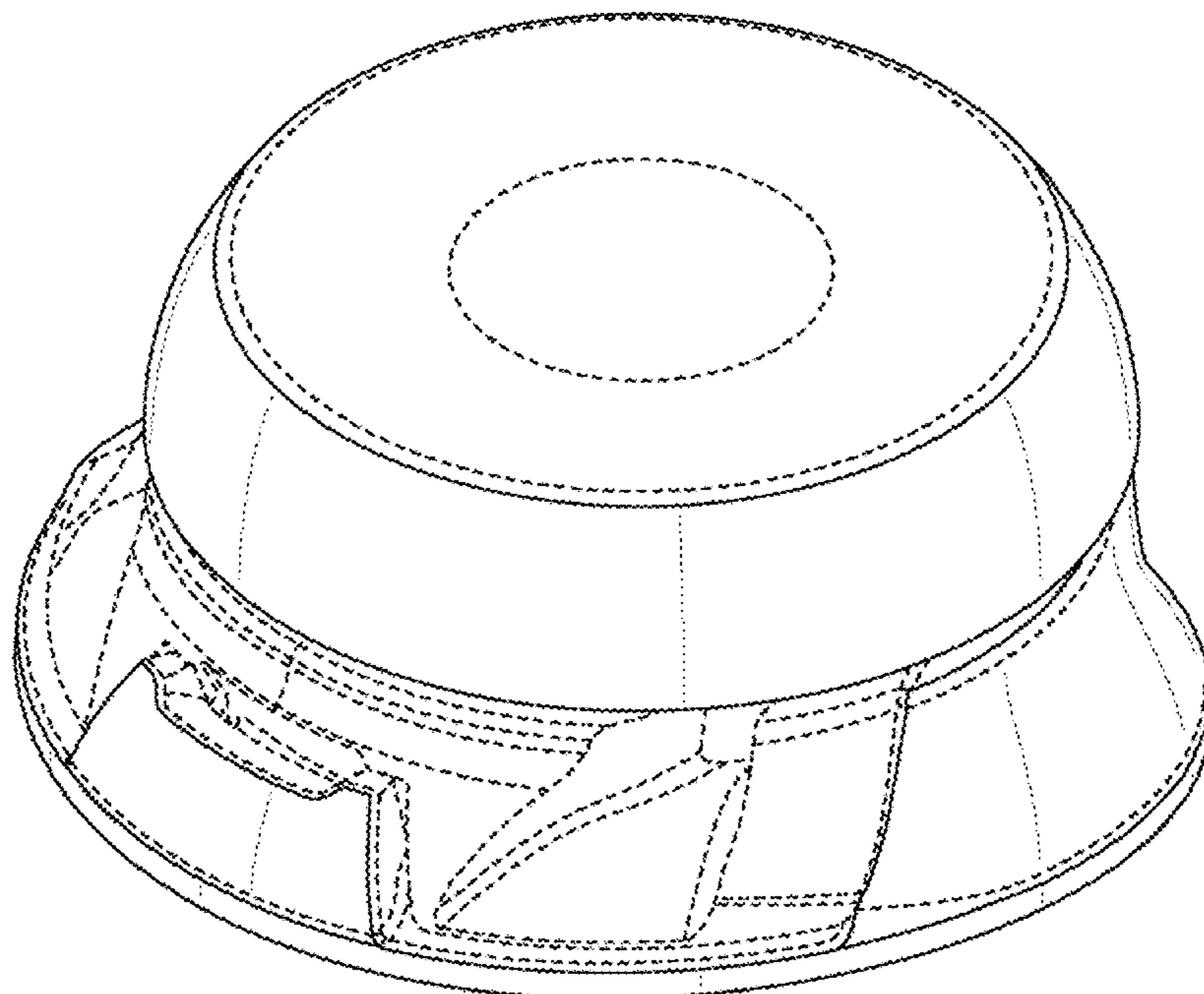
(57) **CLAIM**

I claim the ornamental design for a lace tightening device, substantially as shown and described.

DESCRIPTION

FIG. 1 is a perspective view of the lace tightening device; FIG. 2 is a front view of the lace tightening device; FIG. 3 is a back view of the lace tightening device; FIG. 4 is a first side view of the lace tightening device; FIG. 5 is a second side view of the lace tightening device; FIG. 6 is a top view of the lace tightening device; and, FIG. 7 is a bottom view of the lace tightening device. The broken lines in the drawings represent portions of the lace tightening device that form no part of the claim.

1 Claim, 7 Drawing Sheets



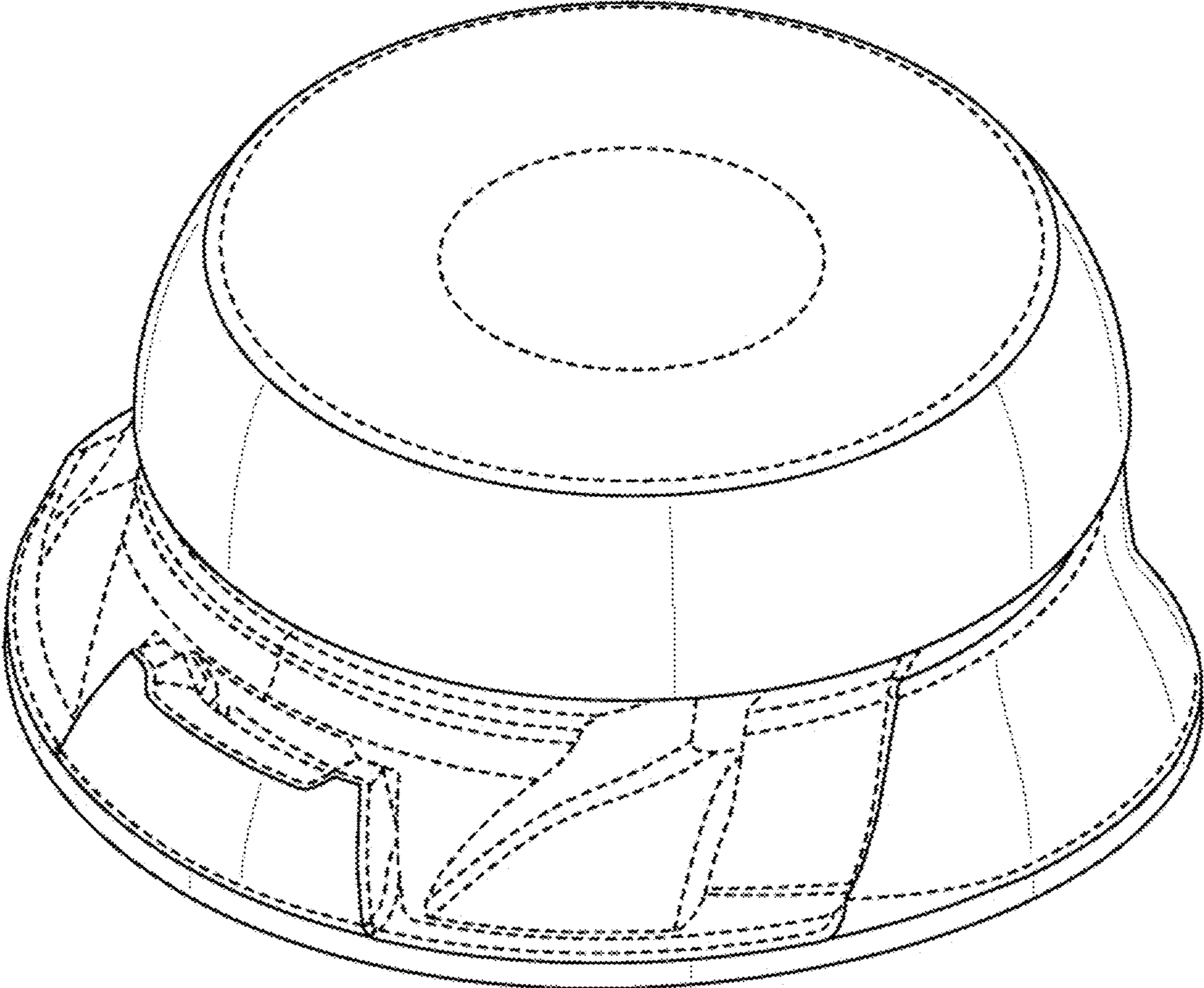


FIG. 1

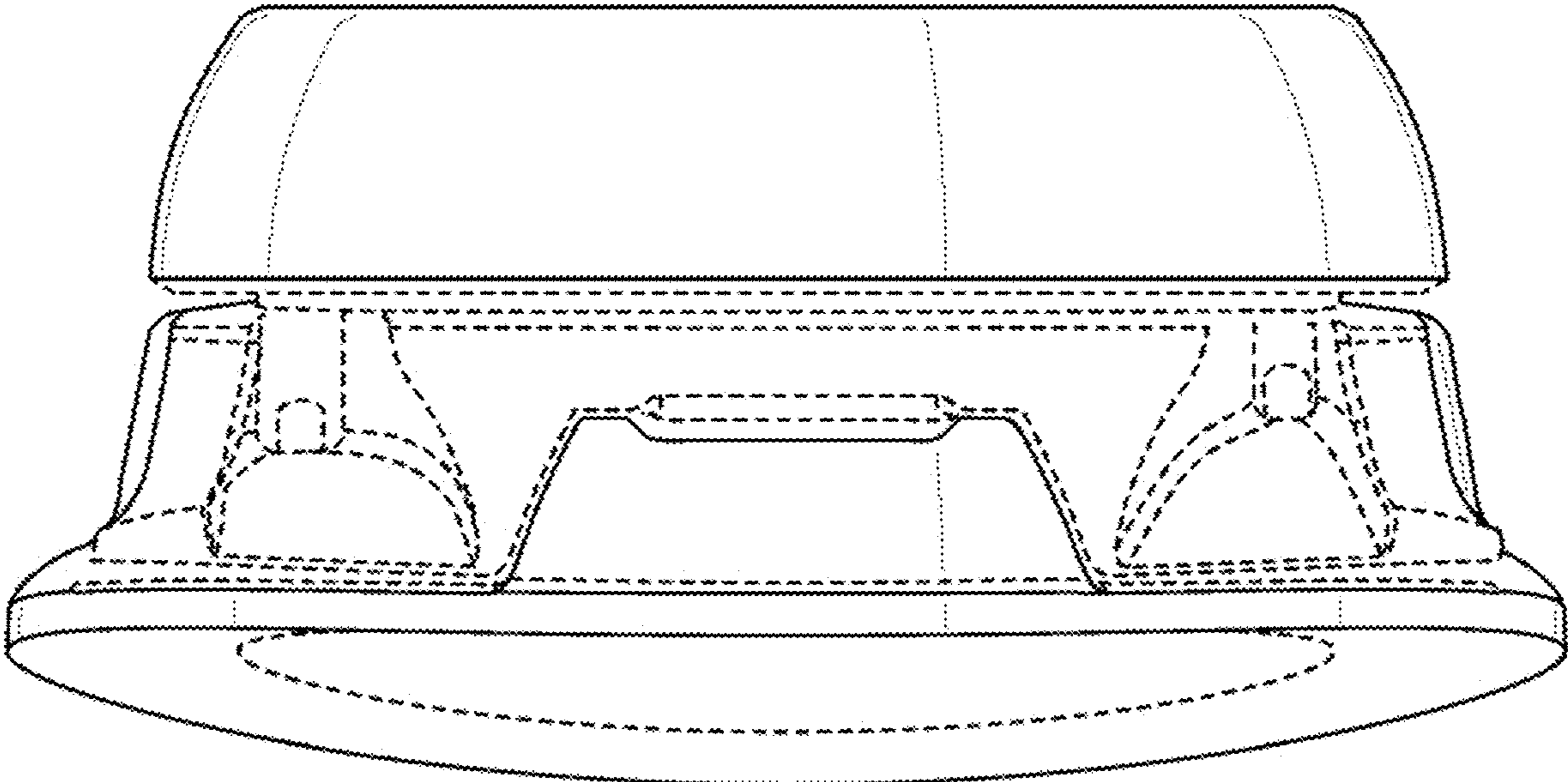
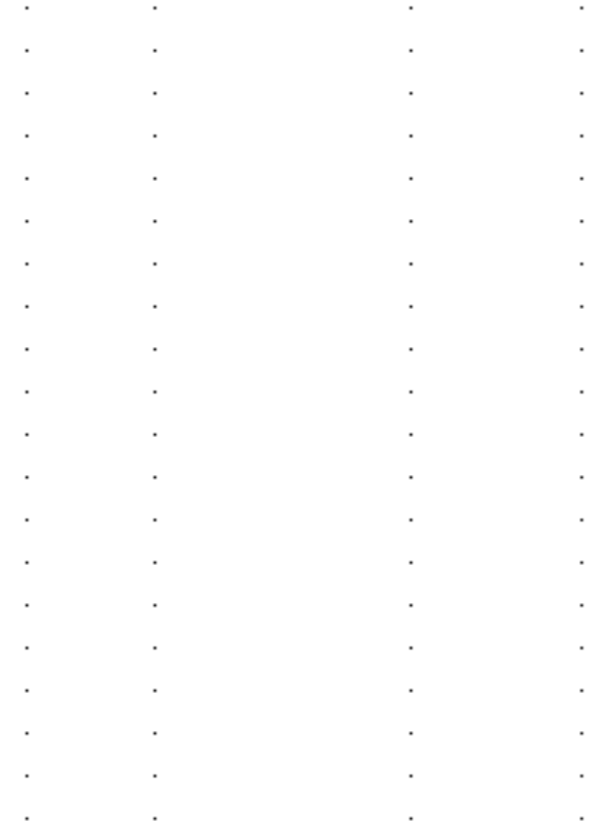


FIG. 2



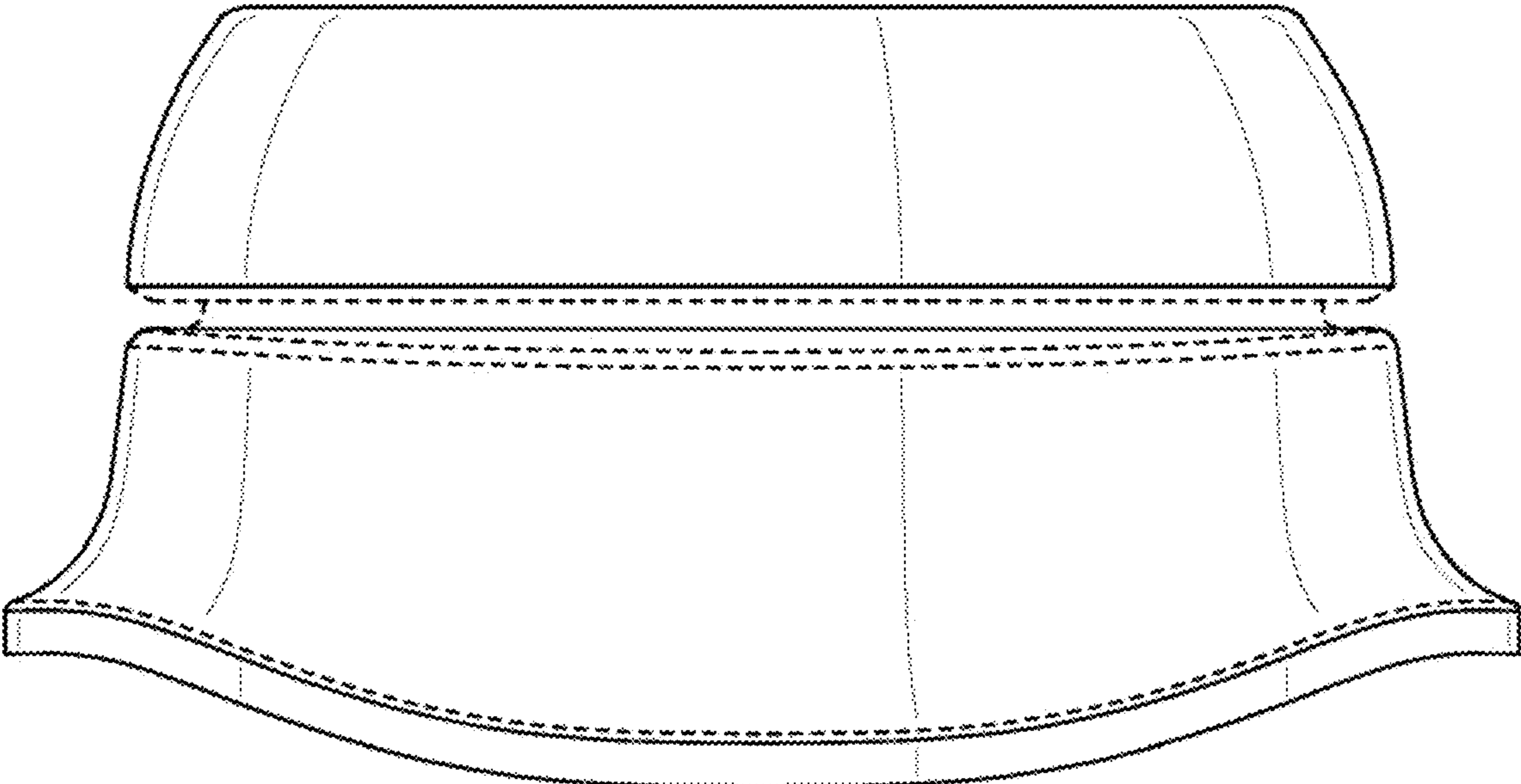
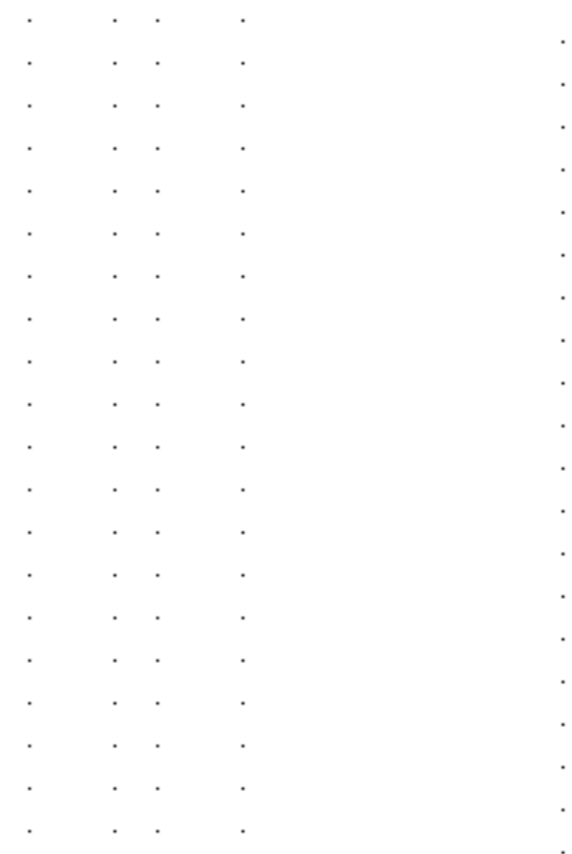


FIG. 3



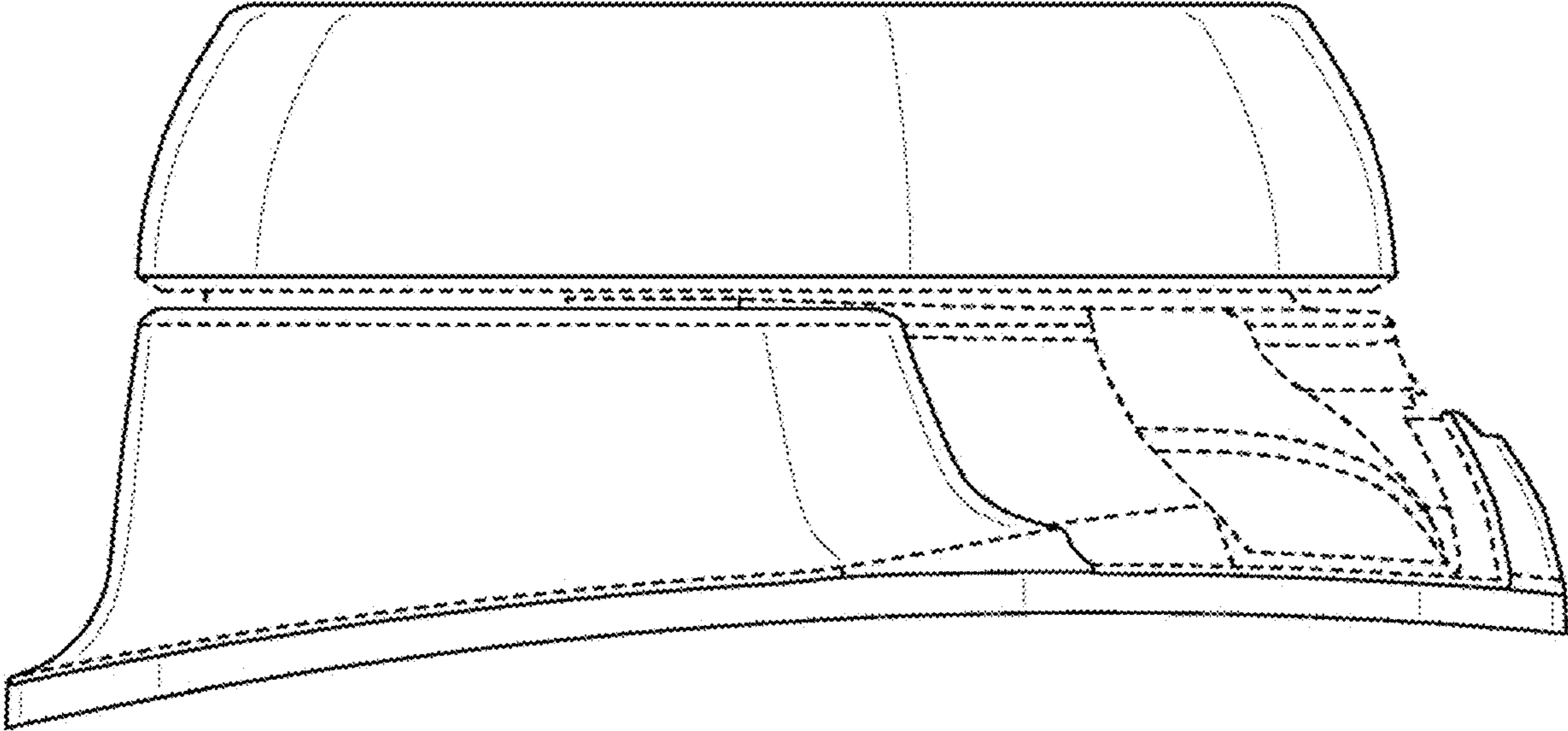


FIG. 4

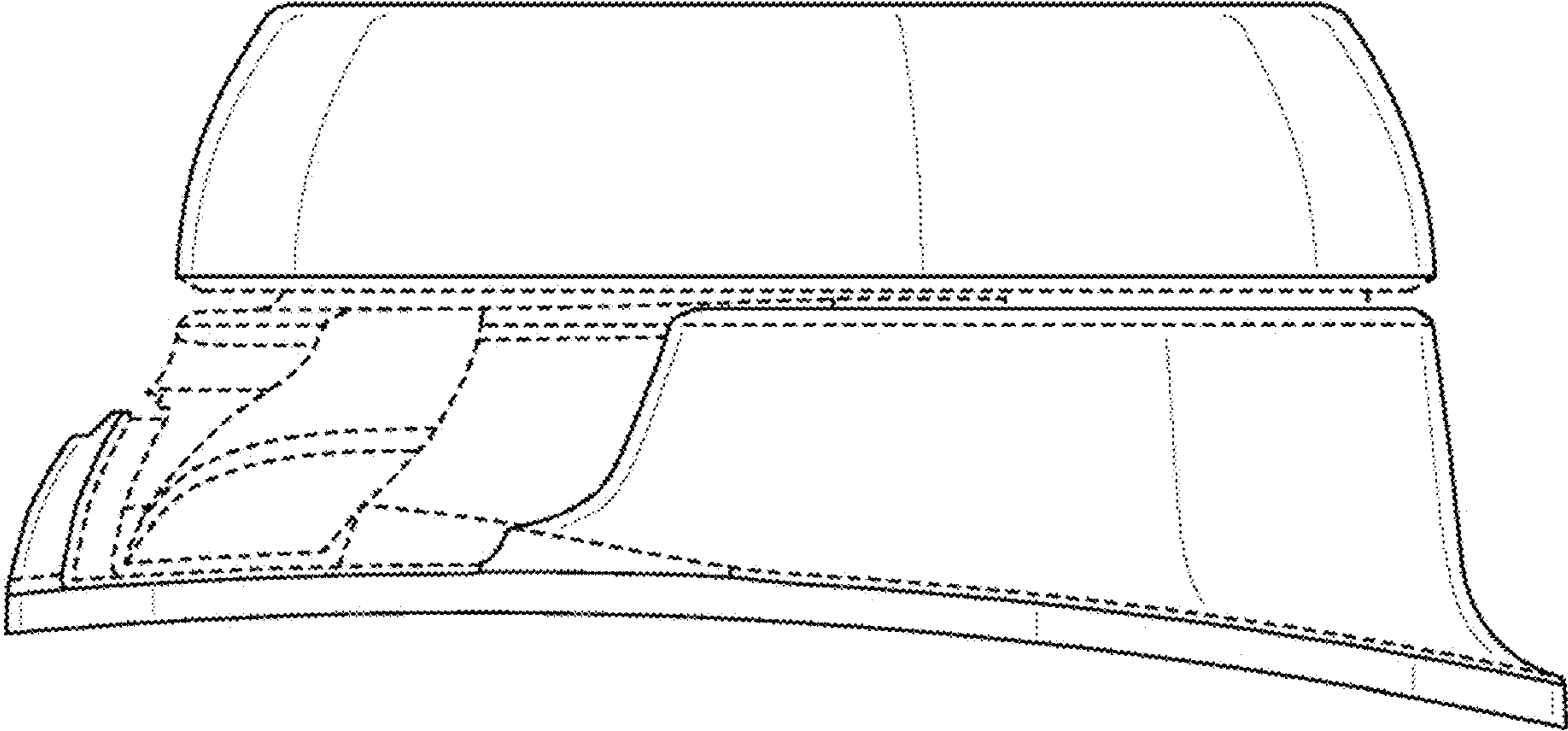
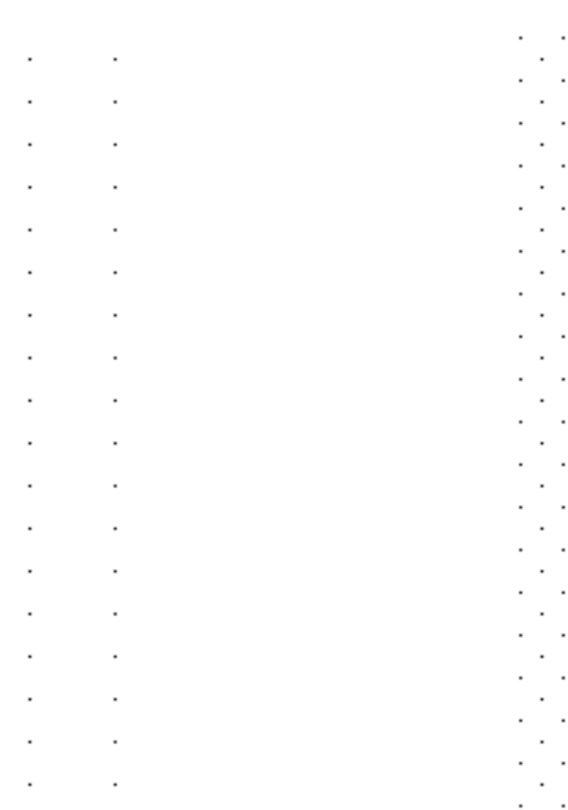


FIG. 5



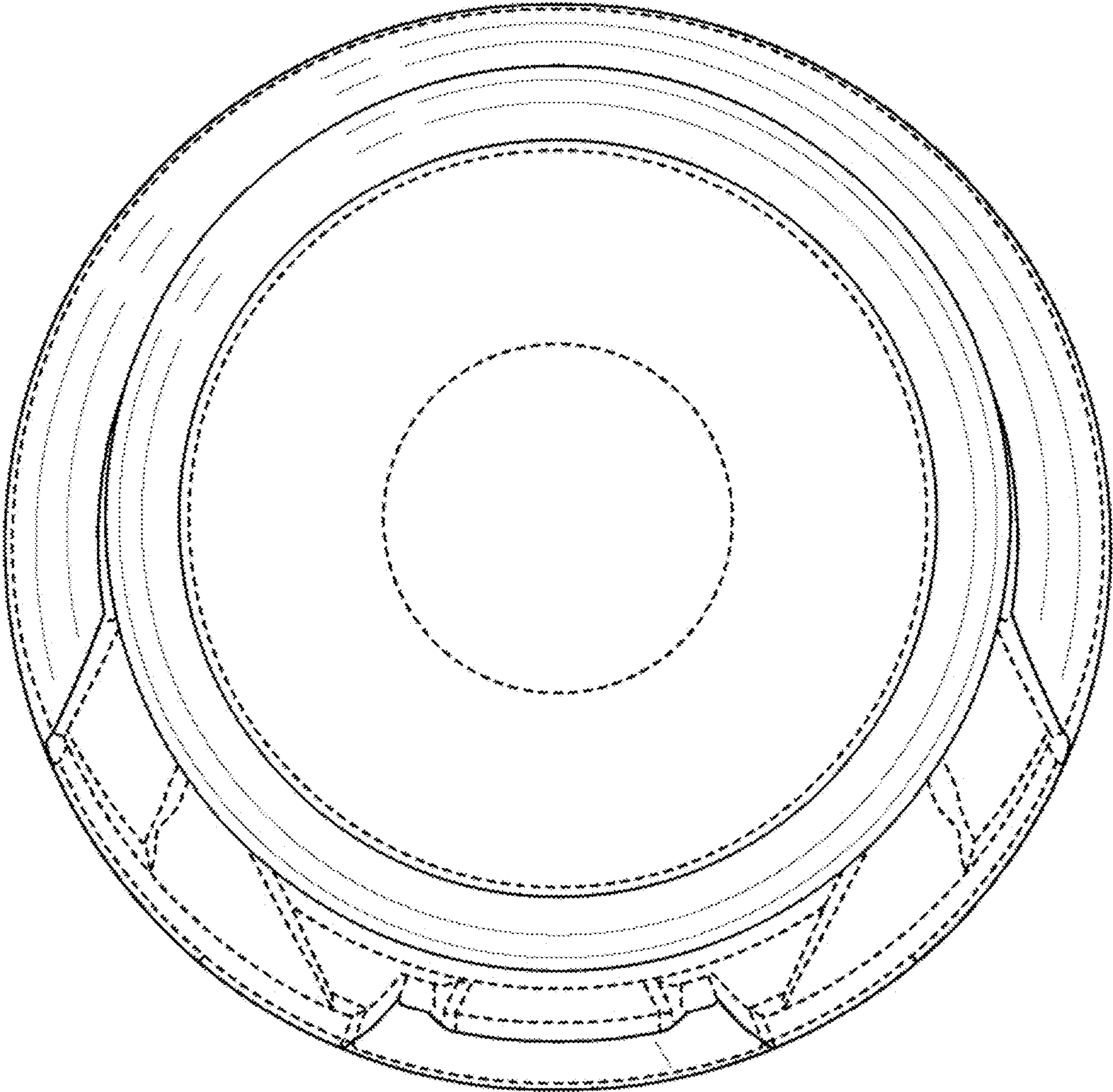


FIG. 6

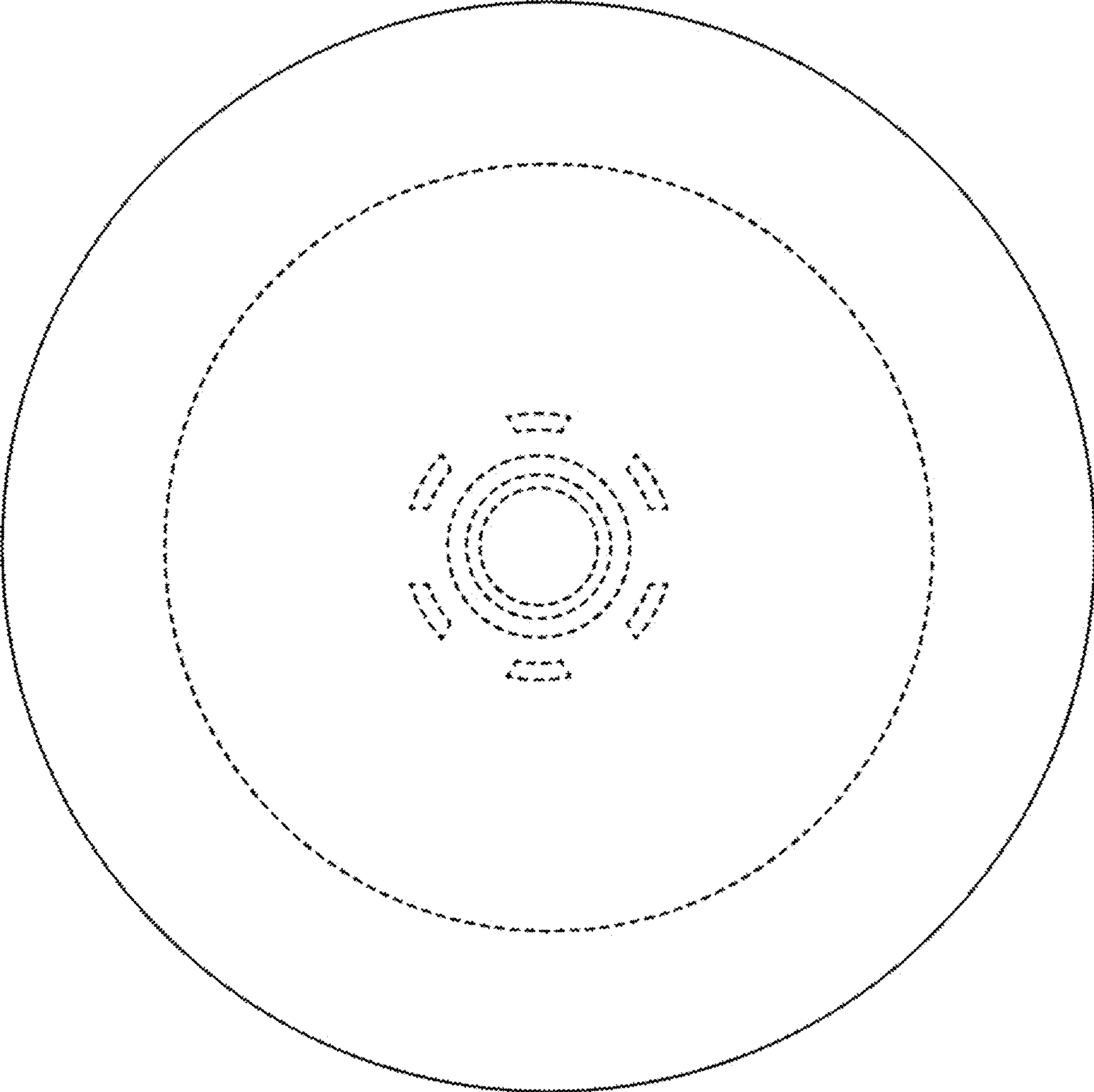


FIG. 7