

US00D897655S

(12) **United States Design Patent** (10) **Patent No.:** **US D897,655 S**  
**Bove** (45) **Date of Patent:** **\*\* Oct. 6, 2020**

(54) **FOOTWEAR**

(71) Applicant: **ECCO Sko A/S**, Bredebro (DK)

(72) Inventor: **Savino Paolo Bove**, Brindisi (IT)

(73) Assignee: **ECCO Sko A/S**, Bredebro (DK)

(\*\*) Term: **15 Years**

(21) Appl. No.: **29/667,348**

(22) Filed: **Oct. 19, 2018**

(51) **LOC (12) Cl.** ..... **02-04**

(52) **U.S. Cl.**  
USPC ..... **D2/972**

(58) **Field of Classification Search**  
USPC ..... D2/896, 902, 906-908, 946, 947, 969,  
D2/972, 973, 974, 976  
CPC ..... A43B 5/00; A43B 13/181; A43B 13/141;  
A43B 23/26; A43B 13/188; A43B 23/00  
See application file for complete search history.

(56) **References Cited**

**U.S. PATENT DOCUMENTS**

|              |         |                 |        |
|--------------|---------|-----------------|--------|
| D294,766 S * | 3/1988  | Igoe .....      | D2/907 |
| D301,934 S * | 7/1989  | Simonin .....   | D2/900 |
| D302,763 S * | 8/1989  | Kilgore .....   | D2/972 |
| D398,743 S * | 9/1998  | Rask .....      | D2/947 |
| D412,236 S * | 7/1999  | von Conta ..... | D2/946 |
| D412,780 S * | 8/1999  | Hatfield .....  | D2/972 |
| D522,229 S * | 6/2006  | Kubo .....      | D2/947 |
| D550,946 S * | 9/2007  | Lotti .....     | D2/972 |
| D613,933 S * | 4/2010  | Chang .....     | D2/972 |
| D635,748 S * | 4/2011  | Katz .....      | D2/902 |
| D653,842 S * | 2/2012  | Weiss .....     | D2/946 |
| D757,417 S * | 5/2016  | Spring .....    | D2/972 |
| D762,056 S * | 7/2016  | Fullum .....    | D2/972 |
| D802,286 S * | 11/2017 | Klein .....     | D2/972 |
| D817,616 S * | 5/2018  | Cin .....       | D2/947 |

(Continued)

**FOREIGN PATENT DOCUMENTS**

|    |           |   |         |
|----|-----------|---|---------|
| CN | 304124957 | * | 5/2017  |
| CN | 304713277 | * | 7/2018  |
| CN | 304844077 | * | 10/2018 |

(Continued)

**OTHER PUBLICATIONS**

Tred Tray Waterproof Oxfords posted by ECCO posted date unknown, © Shoes.Com, [online], [site visited Feb. 1, 2020]. Available from Internet, <https://www.shoes.com/ecco-tred-tray-waterproof-low-oxford> (Year: 2020).\*

(Continued)

*Primary Examiner* — Cynthia Ramirez

*Assistant Examiner* — Laura H Yu

(74) *Attorney, Agent, or Firm* — Finnegan, Henderson, Farabow, Garrett & Dunner LLP

(57) **CLAIM**

The ornamental design for a footwear, as shown and described.

**DESCRIPTION**

FIG. 1 is a rear perspective view of a footwear showing my new design;

FIG. 2 is a front elevation view thereof;

FIG. 3 is a rear elevation view thereof;

FIG. 4 is a left side view thereof;

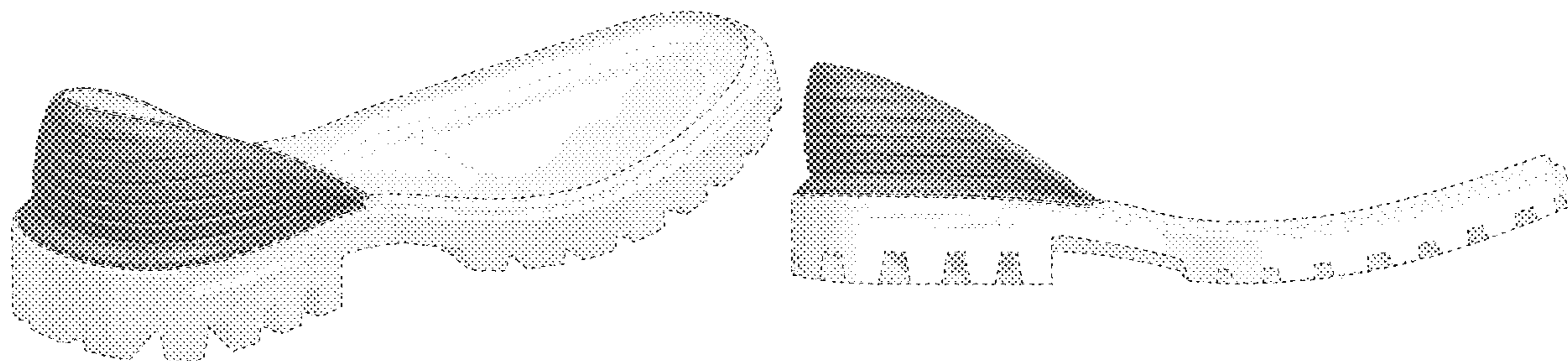
FIG. 5 is a right side view thereof;

FIG. 6 is a top plan view thereof; and,

FIG. 7 is a bottom plan view.

The dot-dash lines illustrate the boundary of the claimed design and form no part thereof. The broken lines of even length illustrate environment and form no part of the claimed design. The portions of the figures shown in lighter contrast illustrate the environment and form no part of the claimed design.

**1 Claim, 7 Drawing Sheets**



(56)

**References Cited**

U.S. PATENT DOCUMENTS

D832,568 S \* 11/2018 Kuerbis ..... D2/972

FOREIGN PATENT DOCUMENTS

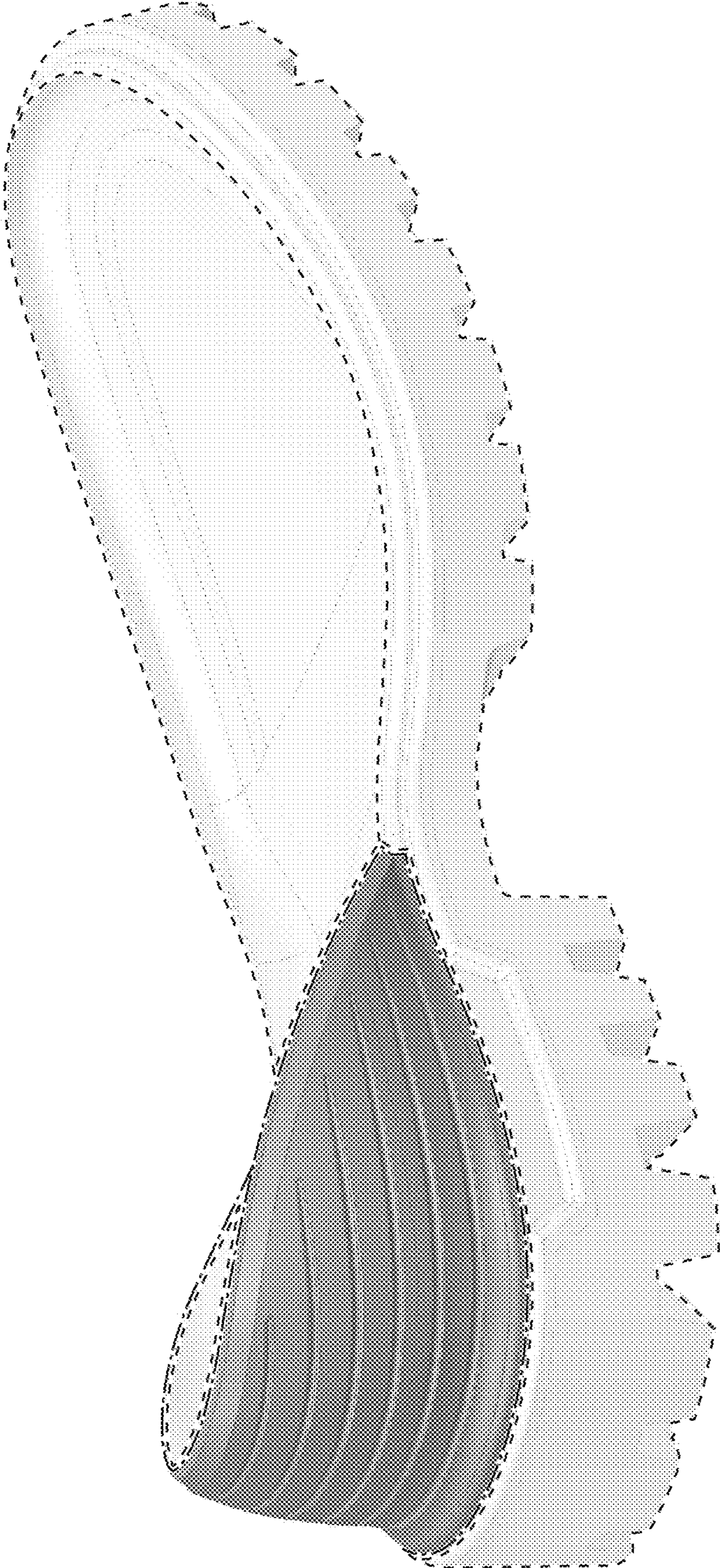
|    |                |           |
|----|----------------|-----------|
| CN | 305144051      | * 10/2018 |
| EM | 006377149-0001 | * 10/2018 |
| JP | D1603985       | * 5/2018  |

OTHER PUBLICATIONS

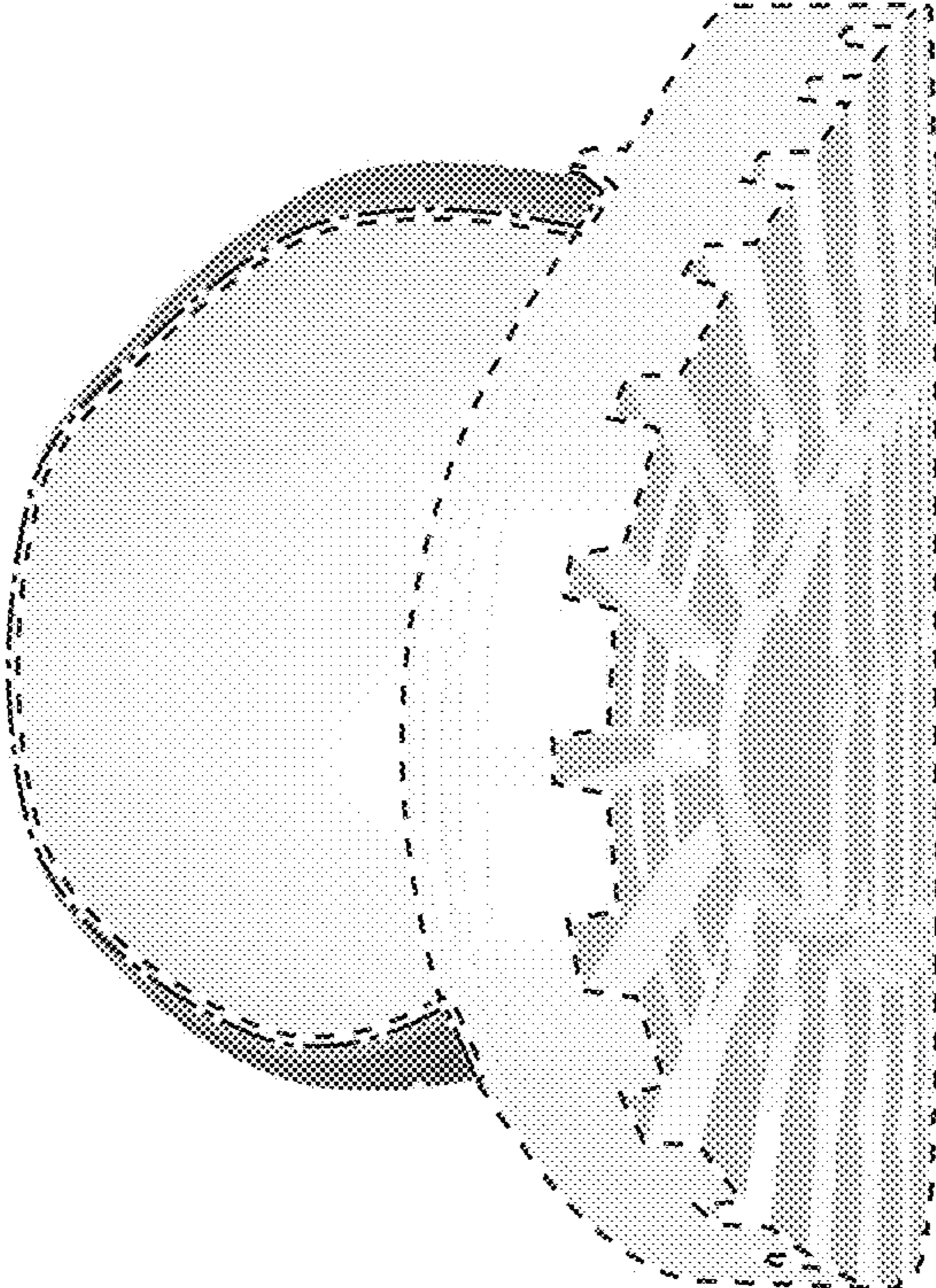
Tred Tray posted by ECCo posted review date Nov. 1, 2019, © ECCO, [online], [site visited Feb. 1, 2020]. Available from Internet, [https://us.ecco.com/ecco-tredtray-mens-boot-460354.html?dwvar\\_460354\\_size=43&dwvar\\_460354\\_color=02001](https://us.ecco.com/ecco-tredtray-mens-boot-460354.html?dwvar_460354_size=43&dwvar_460354_color=02001) (Year: 2019).\*

\* cited by examiner



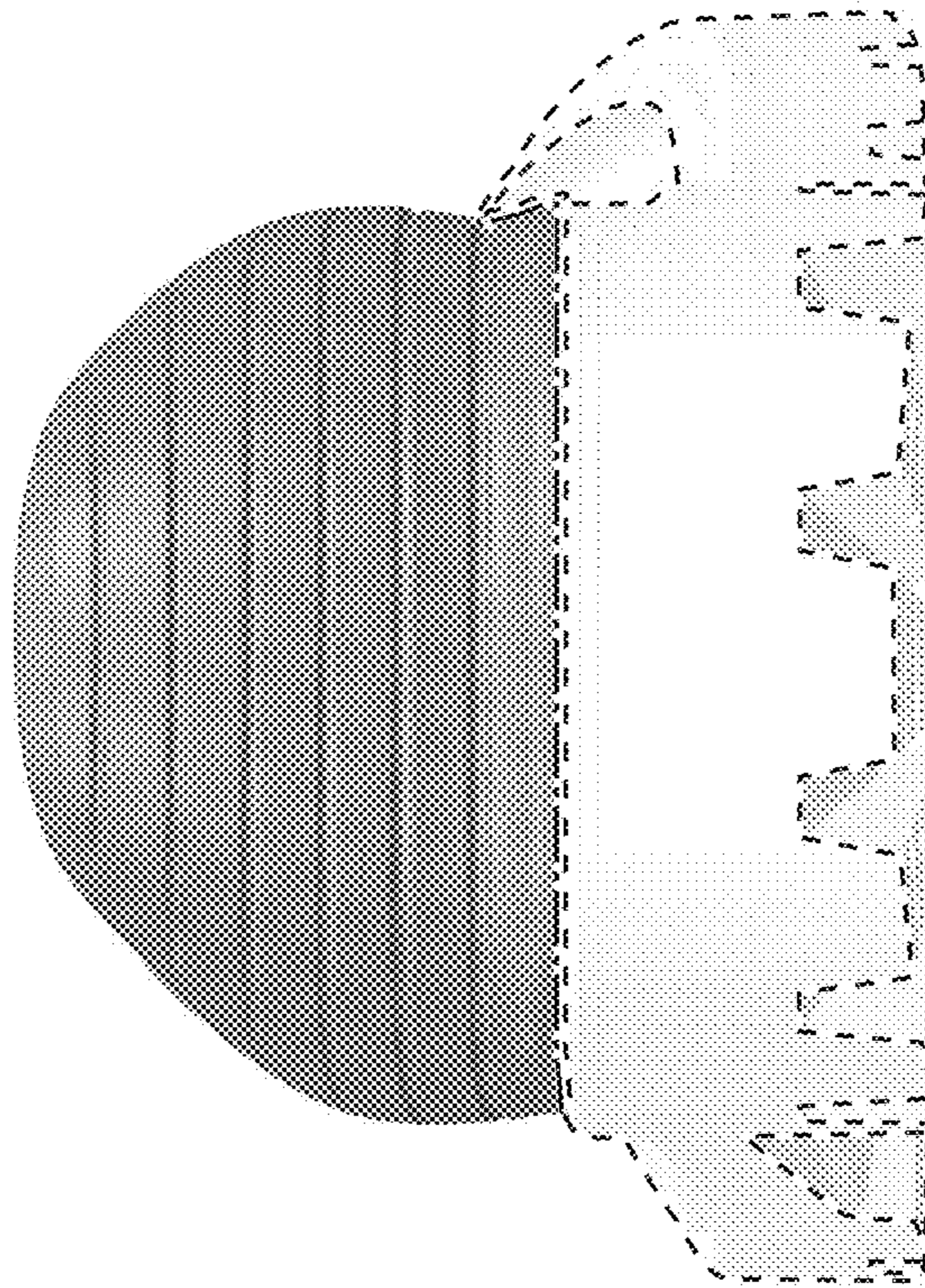


**FIG. 1**

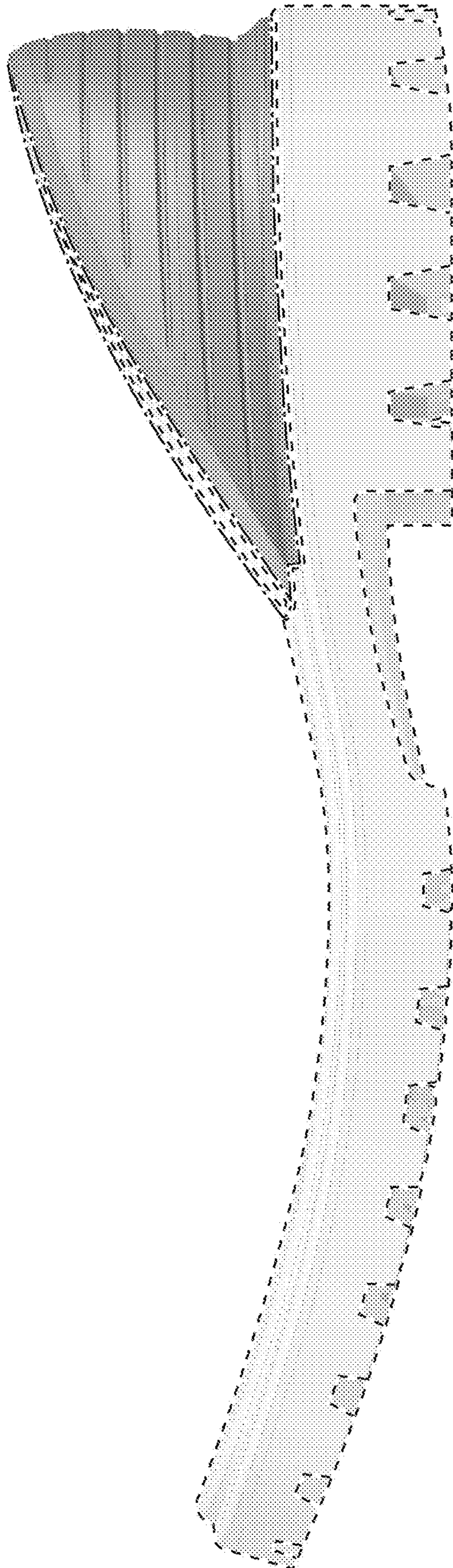


**FIG. 2**

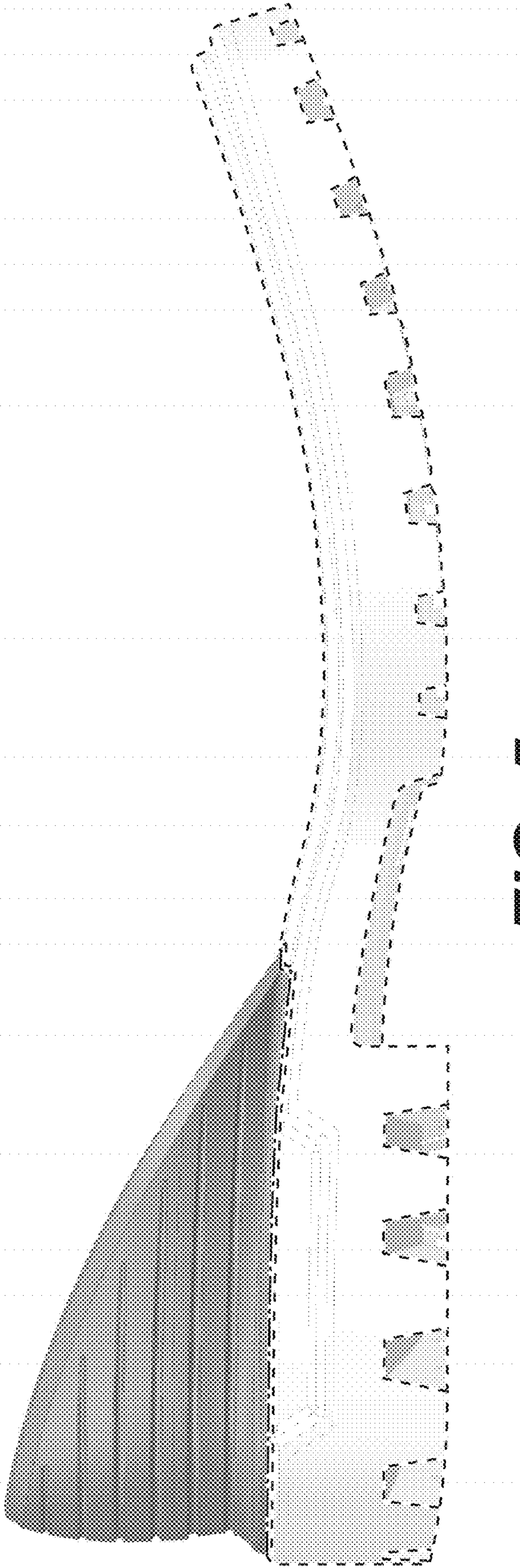




**FIG. 3**

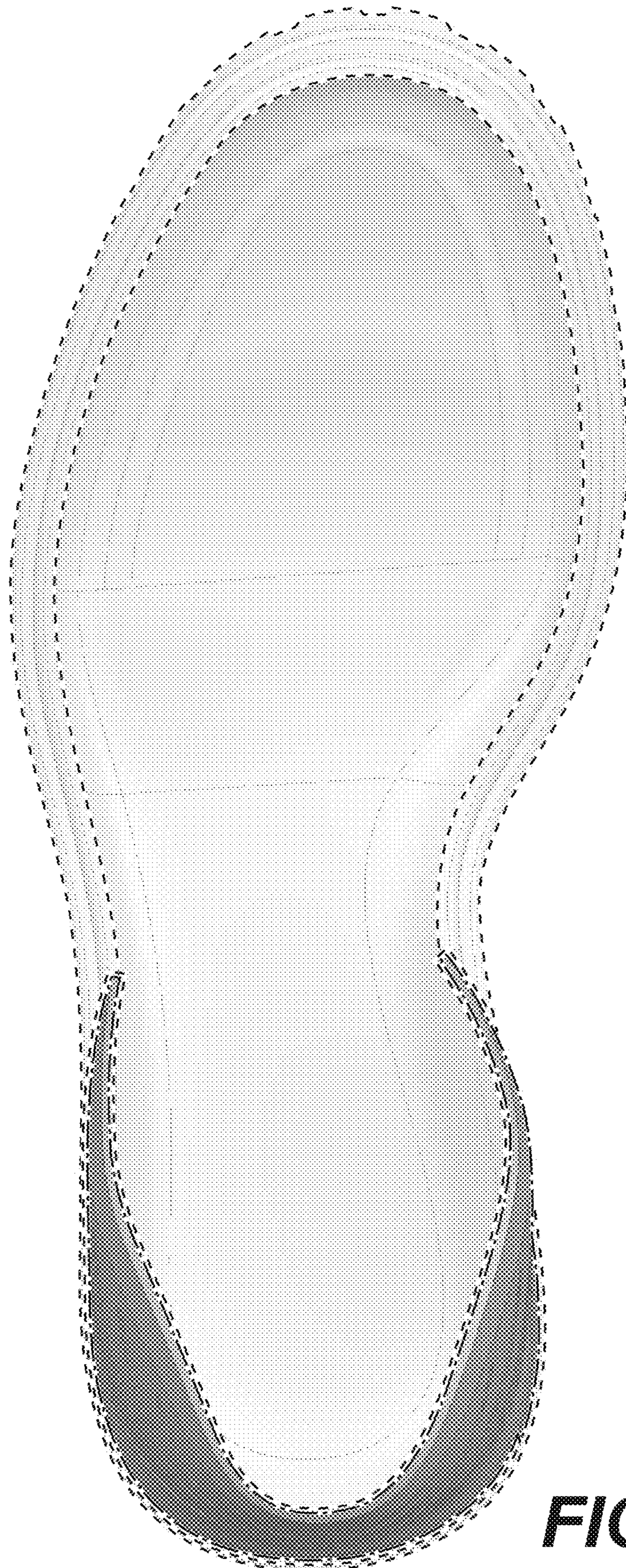


**FIG. 4**



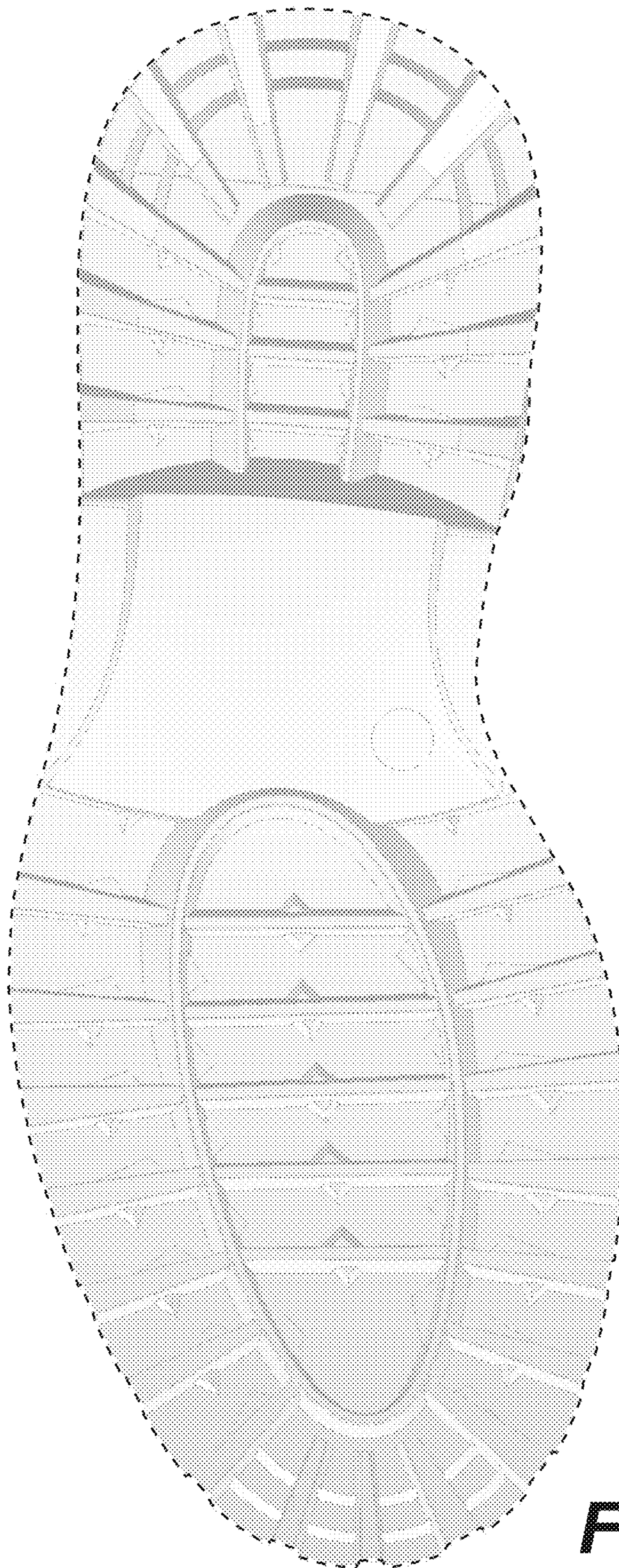
**FIG. 5**





**FIG. 6**





**FIG. 7**