



US00D897654S

(12) **United States Design Patent** (10) **Patent No.:** **US D897,654 S**
Ringholz et al. (45) **Date of Patent:** **** Oct. 6, 2020**

(54) **UPPER FOR A SHOE**

(71) Applicant: **FINIKS, INC.**, Mill Valley, CA (US)

(72) Inventors: **Ryan Ringholz**, Mill Valley, CA (US);
Christine Bettencourt, San Francisco, CA (US)

(73) Assignee: **FINIKS, INC.**, Mill Valley, CA (US)

(**) Term: **15 Years**

(21) Appl. No.: **29/658,910**

(22) Filed: **Aug. 3, 2018**

(51) **LOC (12) Cl.** **02-04**

(52) **U.S. Cl.**
USPC **D2/969**

(58) **Field of Classification Search**
USPC D2/902–922, 923–943, 944–964,
D2/965–985
CPC A43B 1/0036; A43B 21/00; A43B 21/02
See application file for complete search history.

(56) **References Cited**

U.S. PATENT DOCUMENTS

D504,207 S *	4/2005	Matis	D2/969
D521,218 S *	5/2006	Burg	D2/969
D535,465 S *	1/2007	Edwards	D2/969
D543,017 S *	5/2007	Hulbert	D2/969
D589,238 S *	3/2009	Truelsen	D2/902
D732,282 S *	6/2015	Ringholz	D2/951
D734,013 S *	7/2015	Ringholz	D2/969
D734,014 S *	7/2015	Ringholz	D2/969
D796,163 S *	9/2017	Lee	D2/902
10,021,935 B2 *	7/2018	Ringholz	A43C 11/24
D828,682 S *	9/2018	Ringholz	D2/943

FOREIGN PATENT DOCUMENTS

WO WOD017967-004 * 12/1990

OTHER PUBLICATIONS

Back to School posted by Ginger Mum Style posted date Sep. 2, 2016 © GingerMumStyle.com, [online], [site visited Nov. 1, 2019]. Available from Internet, <https://gingermumstyle.com/back-to-school-shoes-and-win-a-pair-of-celebrity-favourite-kids-shoes-from-plae-worth-70/> (Year: 2016).*

Bobbi posted by Vionic posted date Jan. 11, 2018, © Amazon, [online], [site visited Nov. 1, 2019]. Available from Internet, <https://www.amazon.com/Vionic-Womens-Bobbi-Casual-Sneaker/dp> (Year: 2018).*

Sneaker posted by Benefits Wear posted date Nov. 14, 2017, © Amazon, [online], [site visited Nov. 1, 2019]. Available from Internet, <https://www.amazon.com/dp/B018WXL52S/> (Year: 2017).*

* cited by examiner

Primary Examiner — Cynthia Ramirez

Assistant Examiner — Laura H Yu

(74) *Attorney, Agent, or Firm* — Wilmer Cutler Pickering Hale and Dorr LLP

(57) **CLAIM**

The ornamental design for an upper for a shoe, as shown and described.

DESCRIPTION

FIG. 1 is a perspective view of an upper for a shoe of the present invention.

FIG. 2 is a left side view thereof.

FIG. 3 is a right side view thereof.

FIG. 4 is a top view thereof.

FIG. 5 is a front view thereof.

FIG. 6 is a rear view thereof; and,

FIG. 7 is a bottom view of the upper for a shoe shown in FIG. 1.

The broken lines on the surface of the upper for a shoe represent stitching and form no part of the claimed design. The broken lines depicting the remainder of the shoe show features that form no part of the claimed design.

1 Claim, 6 Drawing Sheets

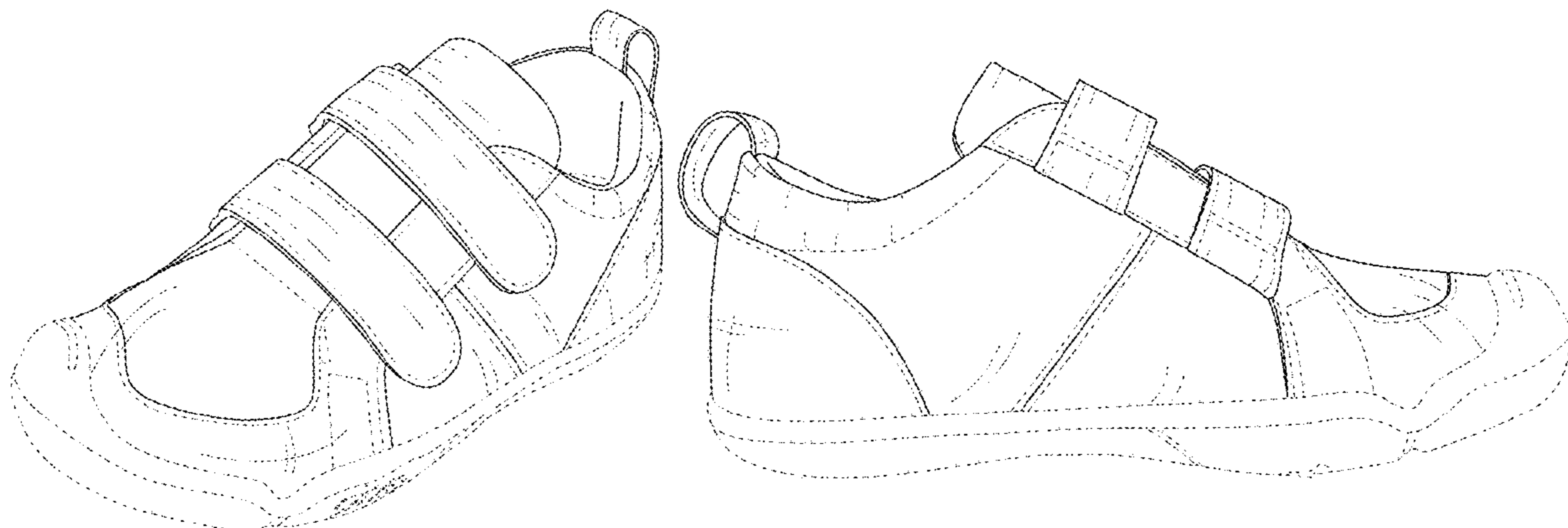


FIG. 1

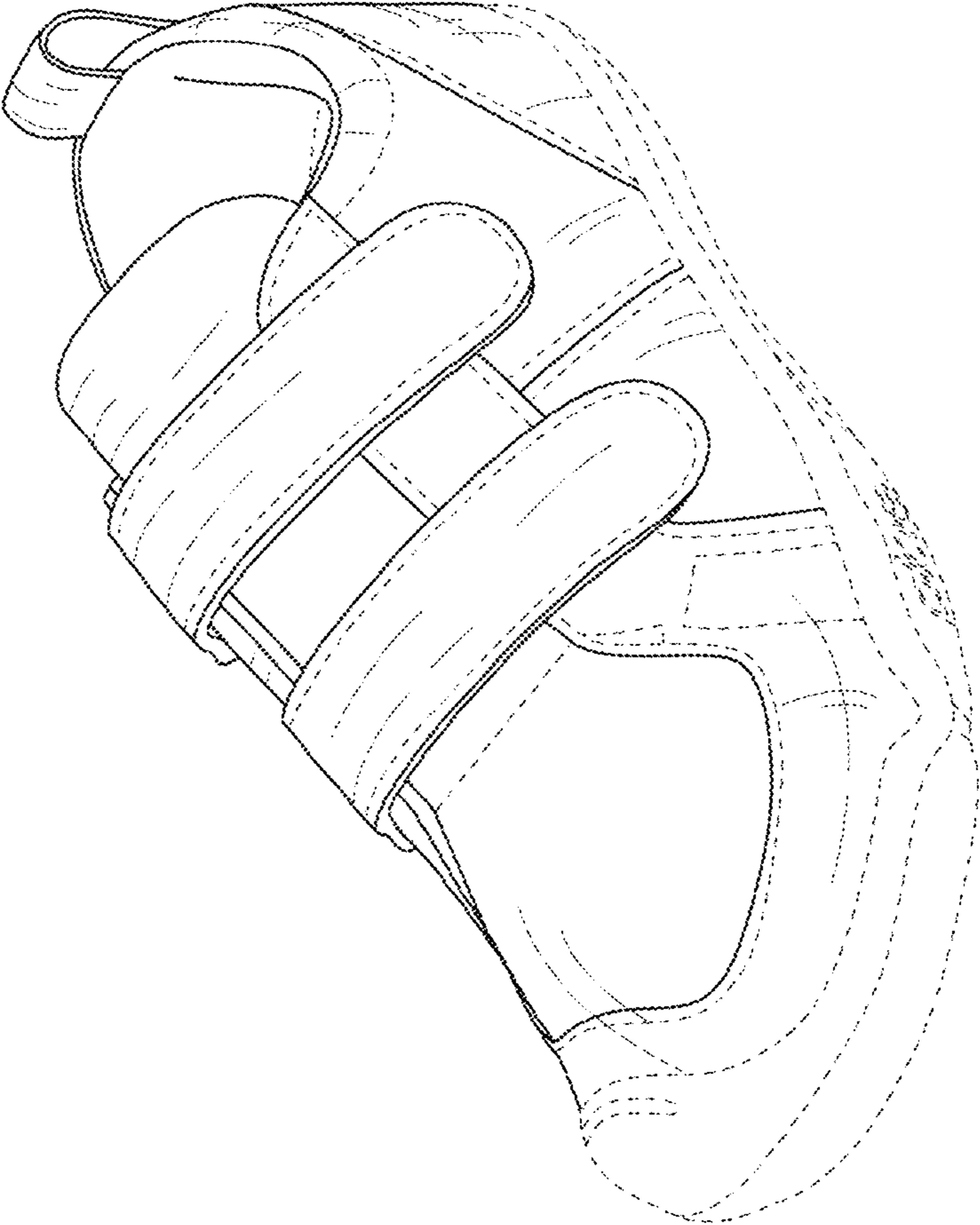


FIG. 2

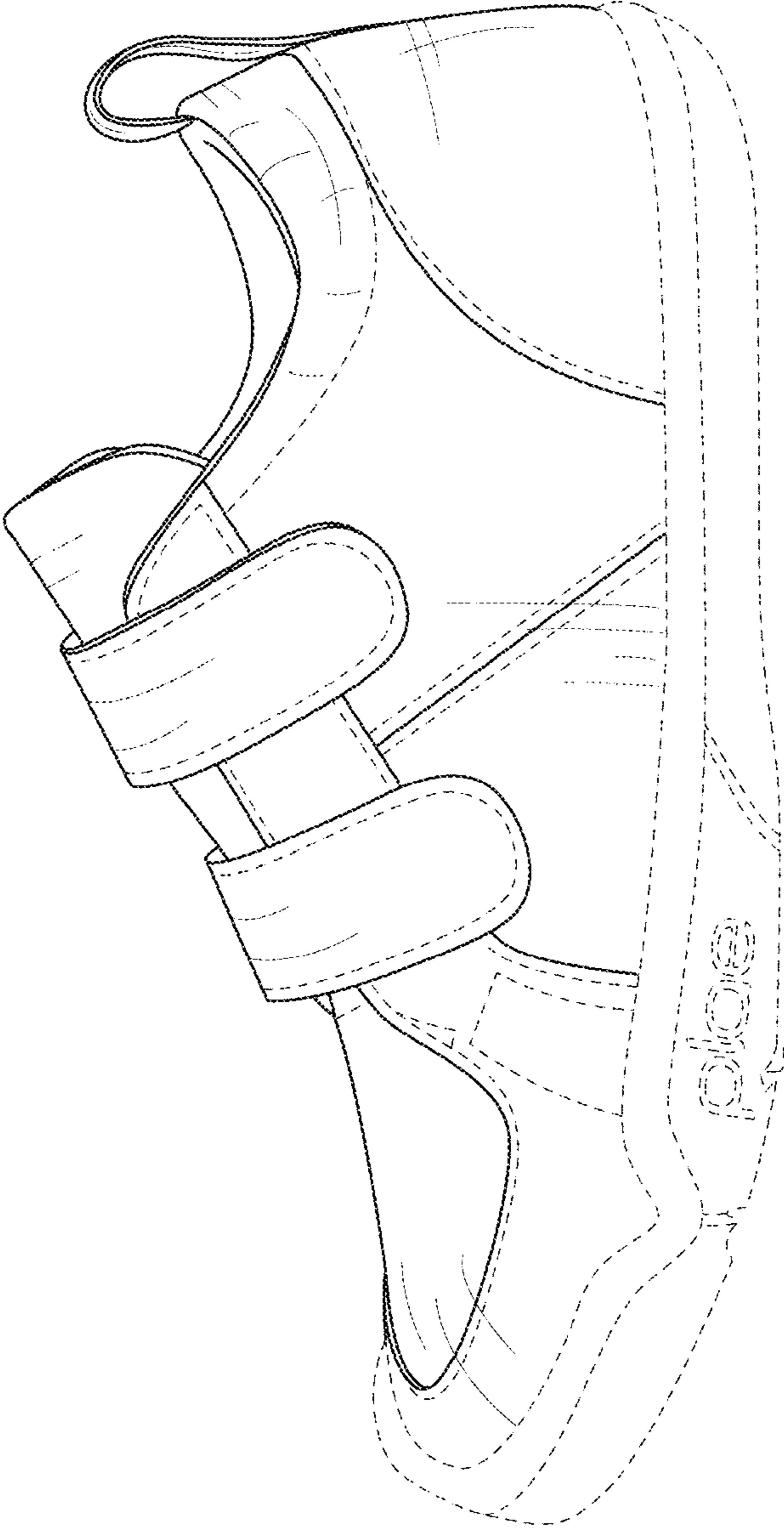


FIG. 3

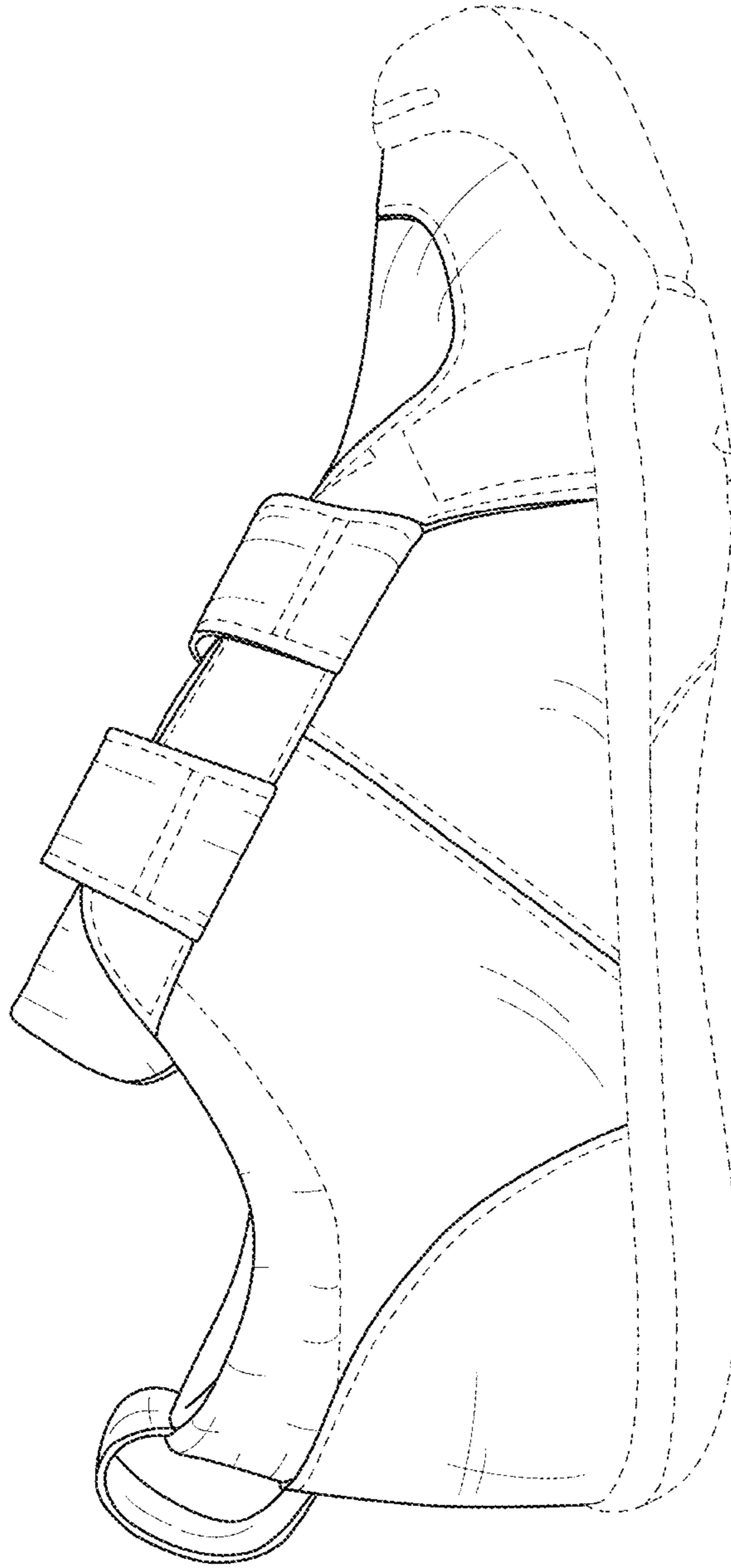


FIG. 4

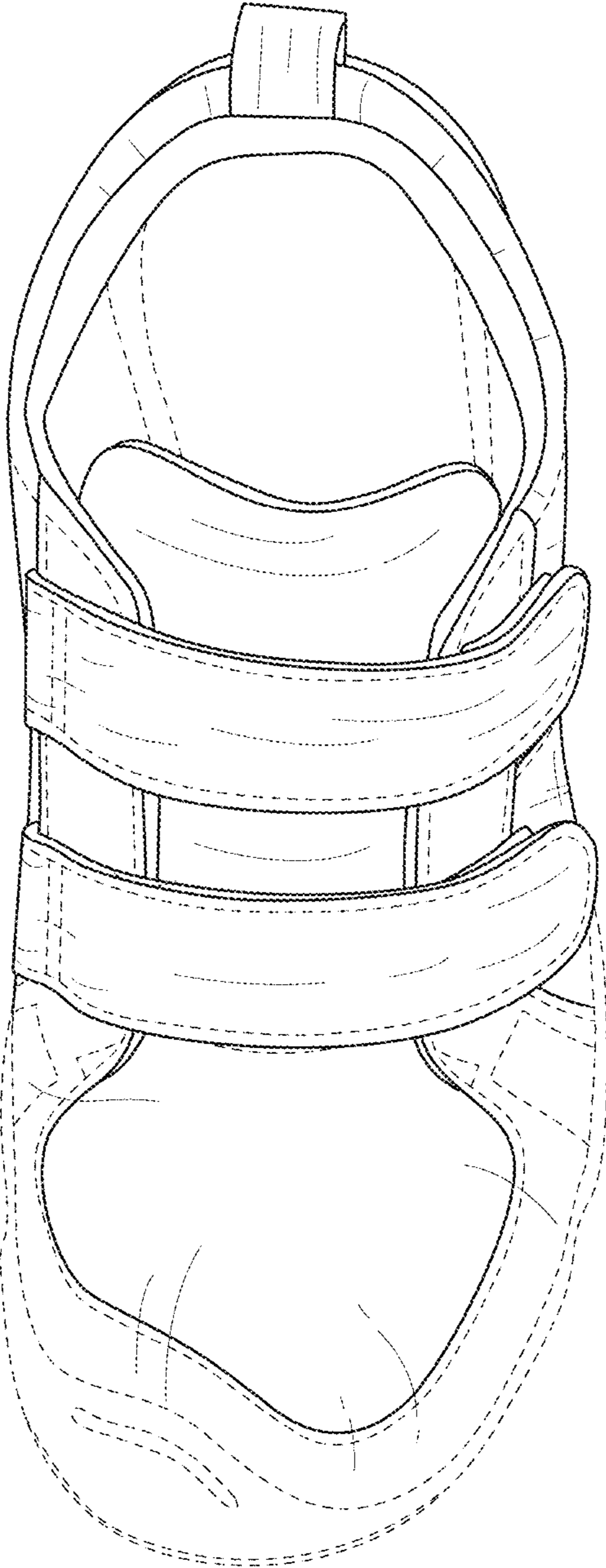


FIG. 6

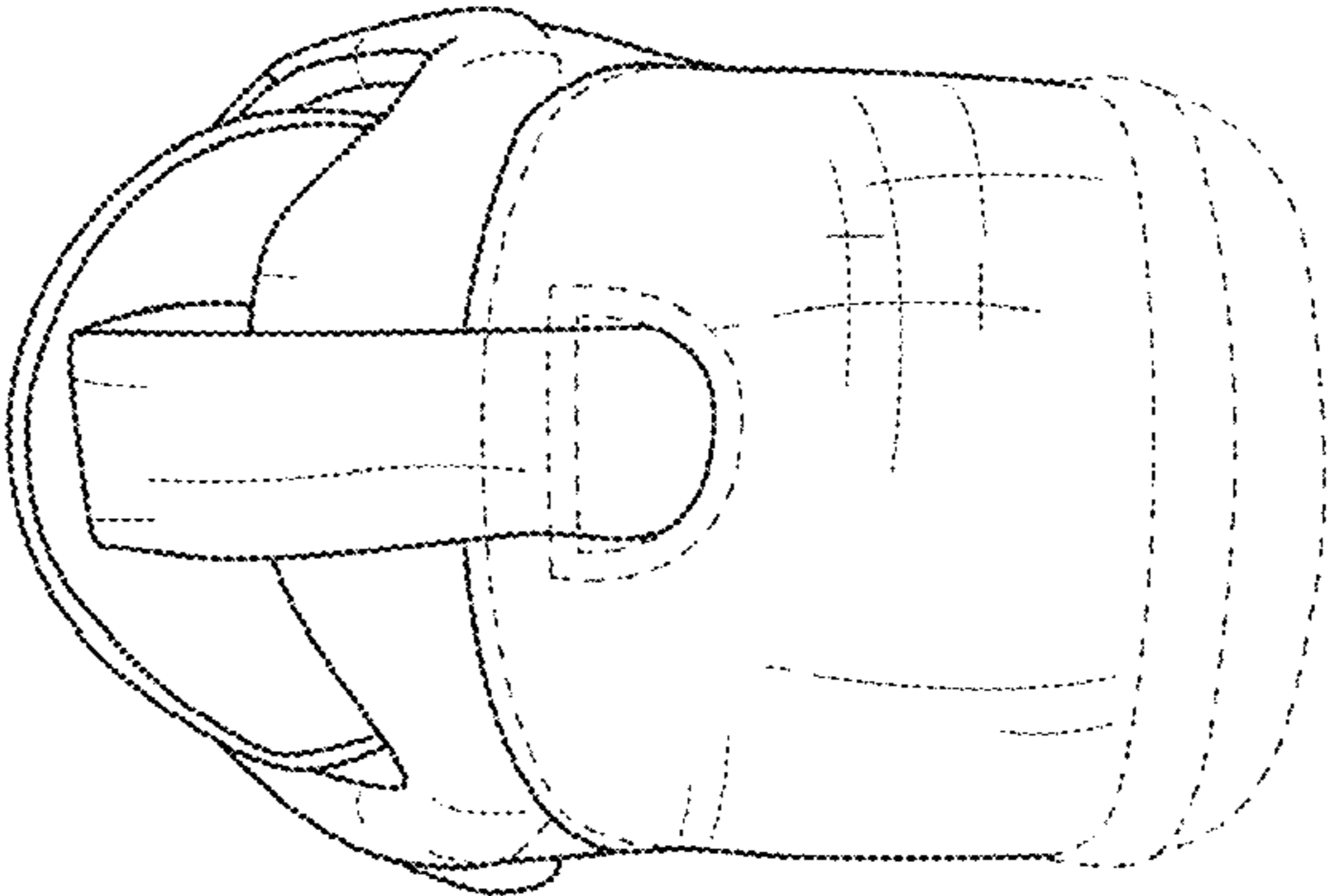


FIG. 5

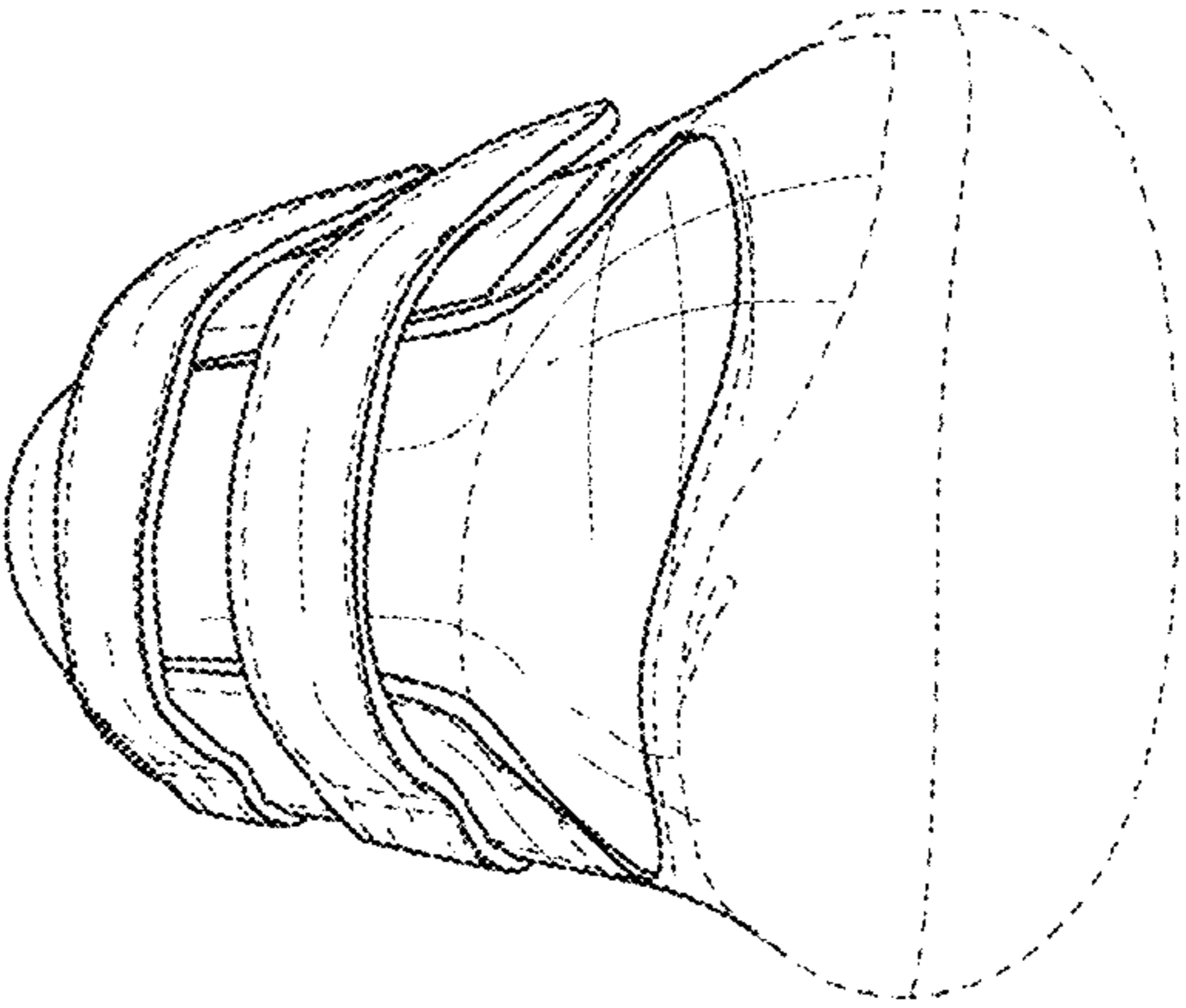


FIG. 7

