

US00D897653S

(12) **United States Design Patent** (10) **Patent No.:** **US D897,653 S**
Yrineo (45) **Date of Patent:** **** Oct. 6, 2020**

(54) **TREE CLIMBING SPIKE**
 (71) Applicant: **Jeffrey Yrineo**, Denver, CO (US)
 (72) Inventor: **Jeffrey Yrineo**, Denver, CO (US)
 (**) Term: **15 Years**
 (21) Appl. No.: **29/684,648**
 (22) Filed: **Mar. 22, 2019**
 (51) **LOC (12) Cl.** **02-04**
 (52) **U.S. Cl.**
 USPC **D2/963**
 (58) **Field of Classification Search**
 USPC D25/62, 68, 69; 182/134, 221, 133, 92;
 D2/962, 963, 946, 906
 CPC ... A63B 27/00; A63B 27/02; A63B 2071/025;
 A63B 69/0048; A63B 9/00
 See application file for complete search history.

5,016,734 A * 5/1991 Greenway A63B 27/00
 182/134
 D324,292 S * 3/1992 Parrish D2/963
 5,231,775 A * 8/1993 Trent, Jr. A63B 27/02
 182/134
 D342,150 S * 12/1993 Nava D2/962
 D388,243 S * 12/1997 Lupo D2/946
 D404,552 S * 1/1999 Lupo D2/946

* cited by examiner

Primary Examiner — Gino Colan
 (74) *Attorney, Agent, or Firm* — Neugeboren O’Dowd PC

(57) **CLAIM**

The ornamental design for a tree climbing spike, as shown and described.

DESCRIPTION

FIG. 1 is a top perspective view of tree climbing spike;
 FIG. 2 is a bottom perspective view of the tree climbing spike in FIG. 1;
 FIG. 3 is a first side view of the tree climbing spike in FIG. 1;
 FIG. 4 is a second side view of the tree climbing spike in FIG. 1;
 FIG. 5 is a back view of the tree climbing spike in FIG. 1;
 FIG. 6 is a front view of the tree climbing spike in FIG. 1;
 FIG. 7 is a top view of the tree climbing spike in FIG. 1; and,
 FIG. 8 is a bottom view of the tree climbing spike in FIG. 1.

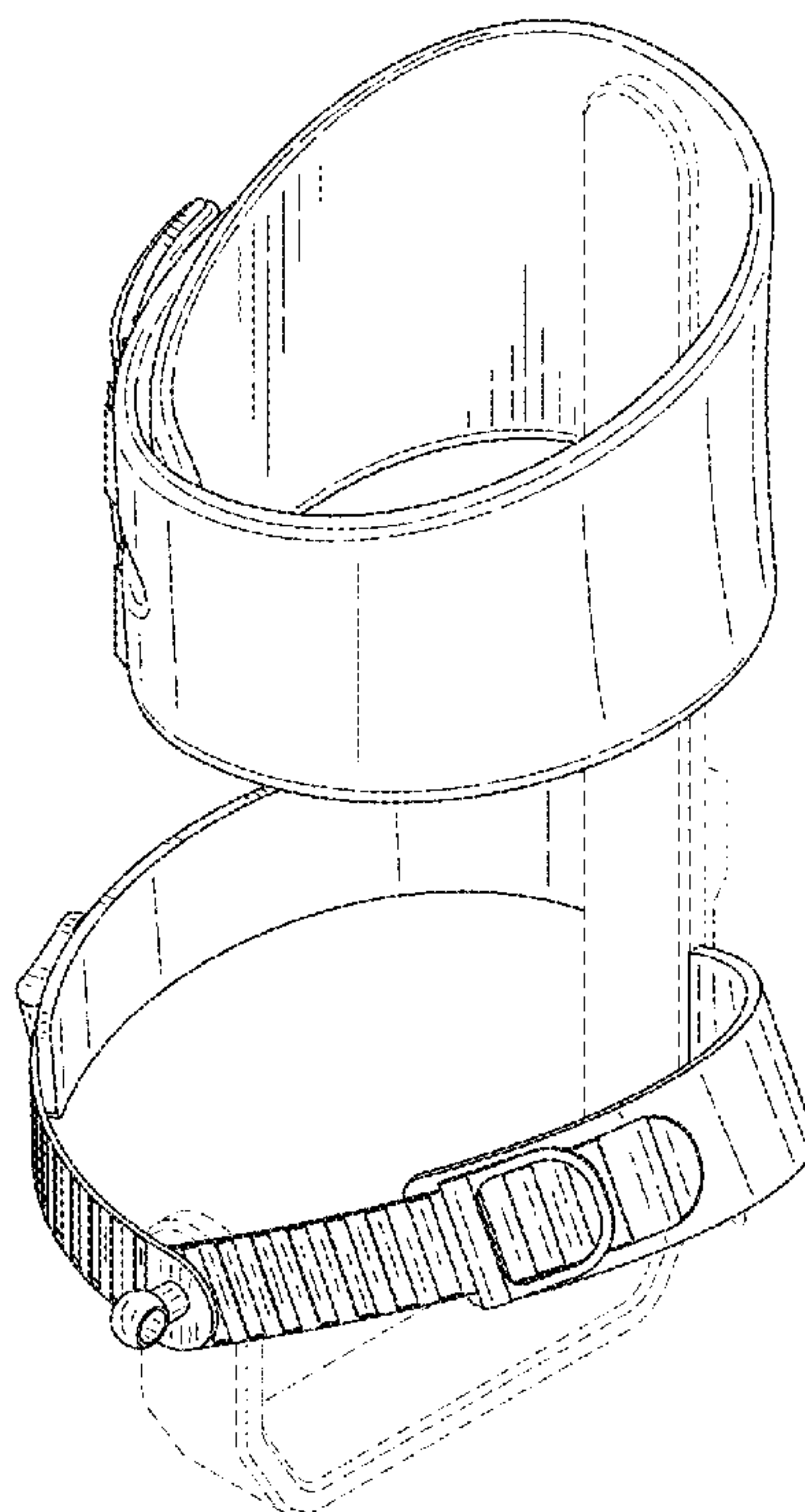
The broken lines shown in the figures are for the purpose of illustrating portions of the tree climbing spike and form no part of the claimed design.

1 Claim, 8 Drawing Sheets

(56) **References Cited**

U.S. PATENT DOCUMENTS

2,604,250 A * 7/1952 Trimble A63B 27/02
 182/221
 2,808,974 A * 10/1957 Bessinger A63B 27/02
 182/221
 3,867,998 A * 2/1975 Joseph A63B 27/02
 182/221
 D254,272 S * 2/1980 Having D25/69
 4,530,420 A * 7/1985 Hobbs A63B 27/02
 182/134
 4,730,702 A * 3/1988 Torbett A63B 27/02
 182/221
 4,938,313 A * 7/1990 Rullo A63B 27/02
 182/134



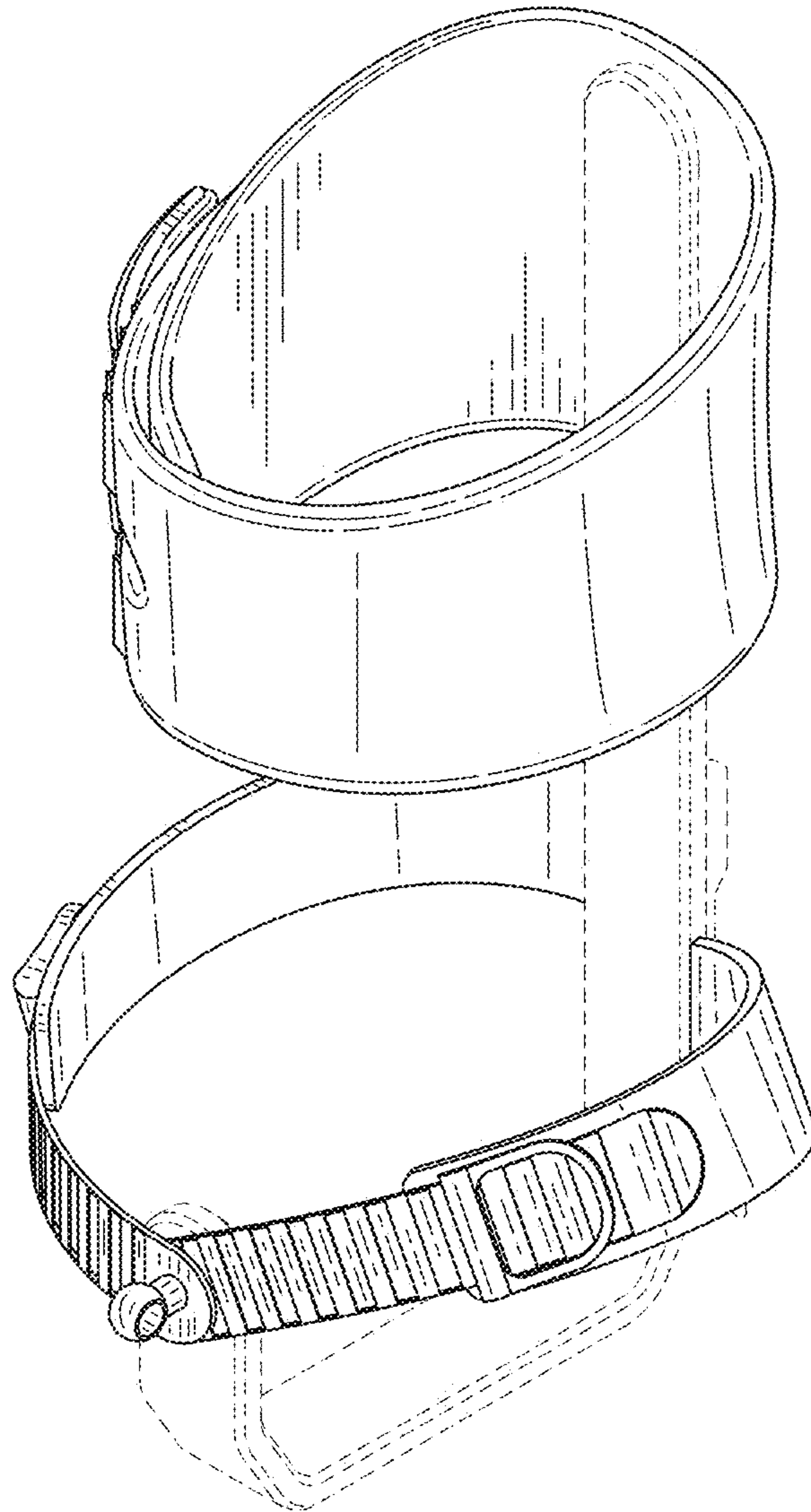


FIG.1

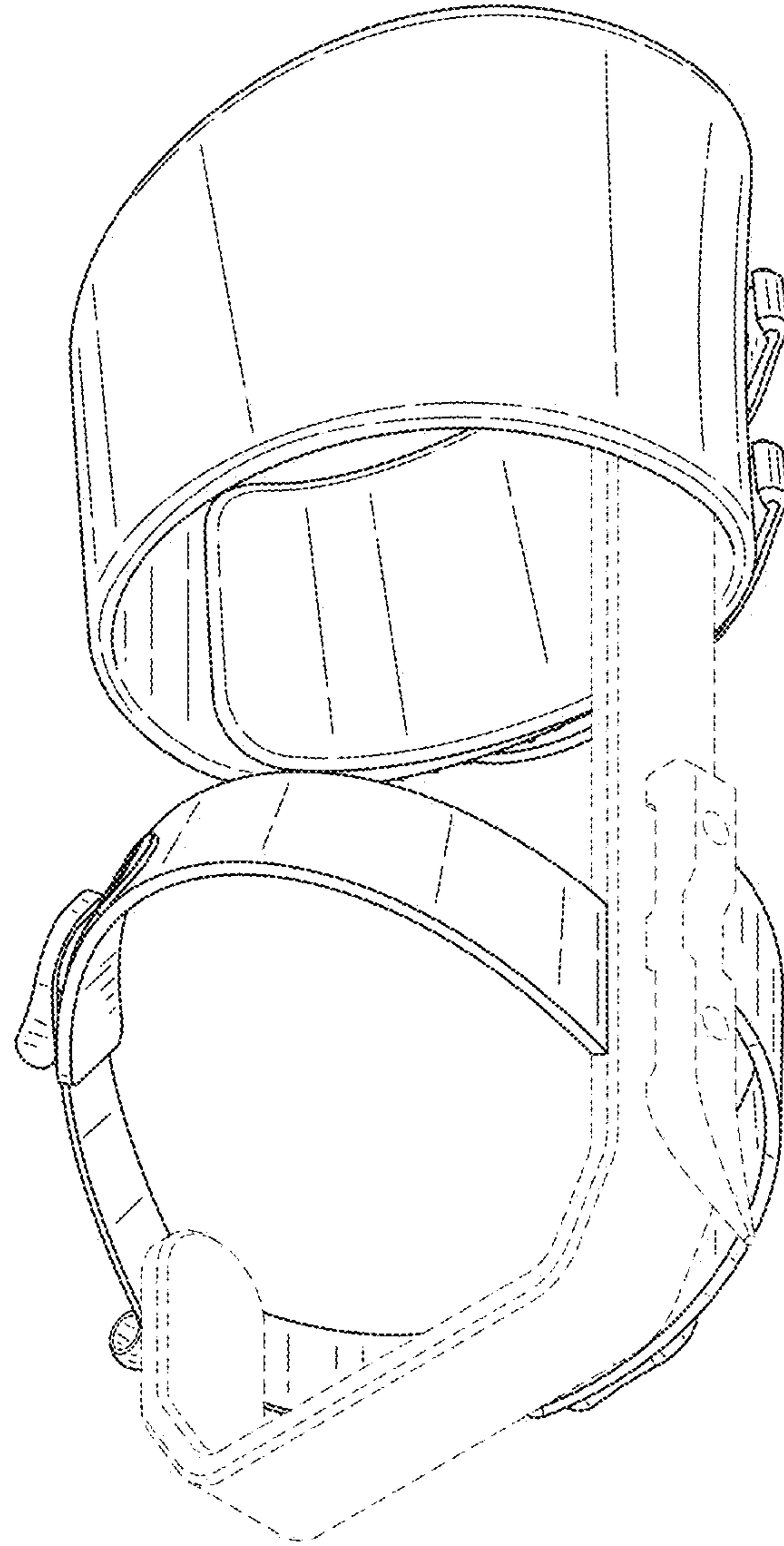


FIG.2

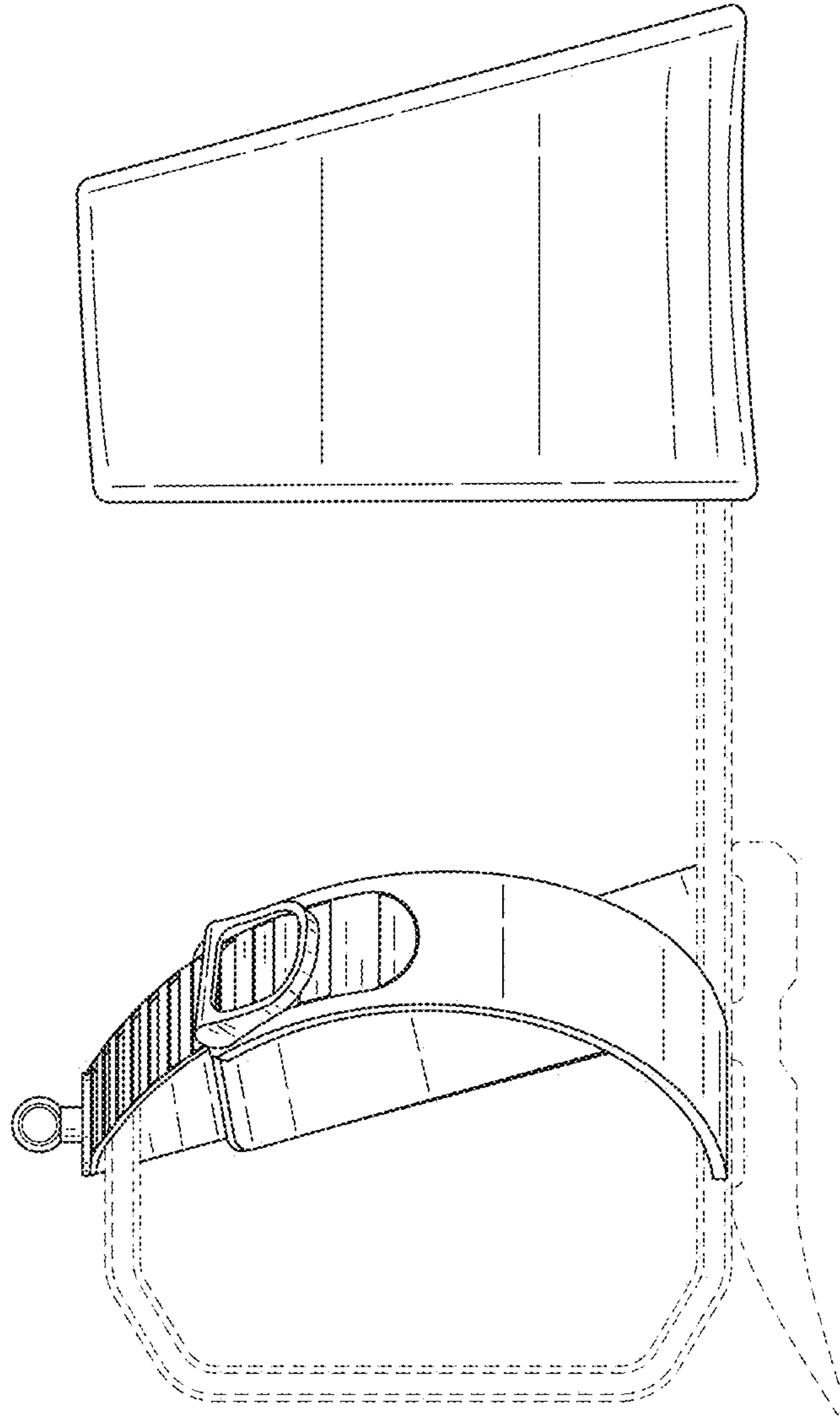


FIG.3

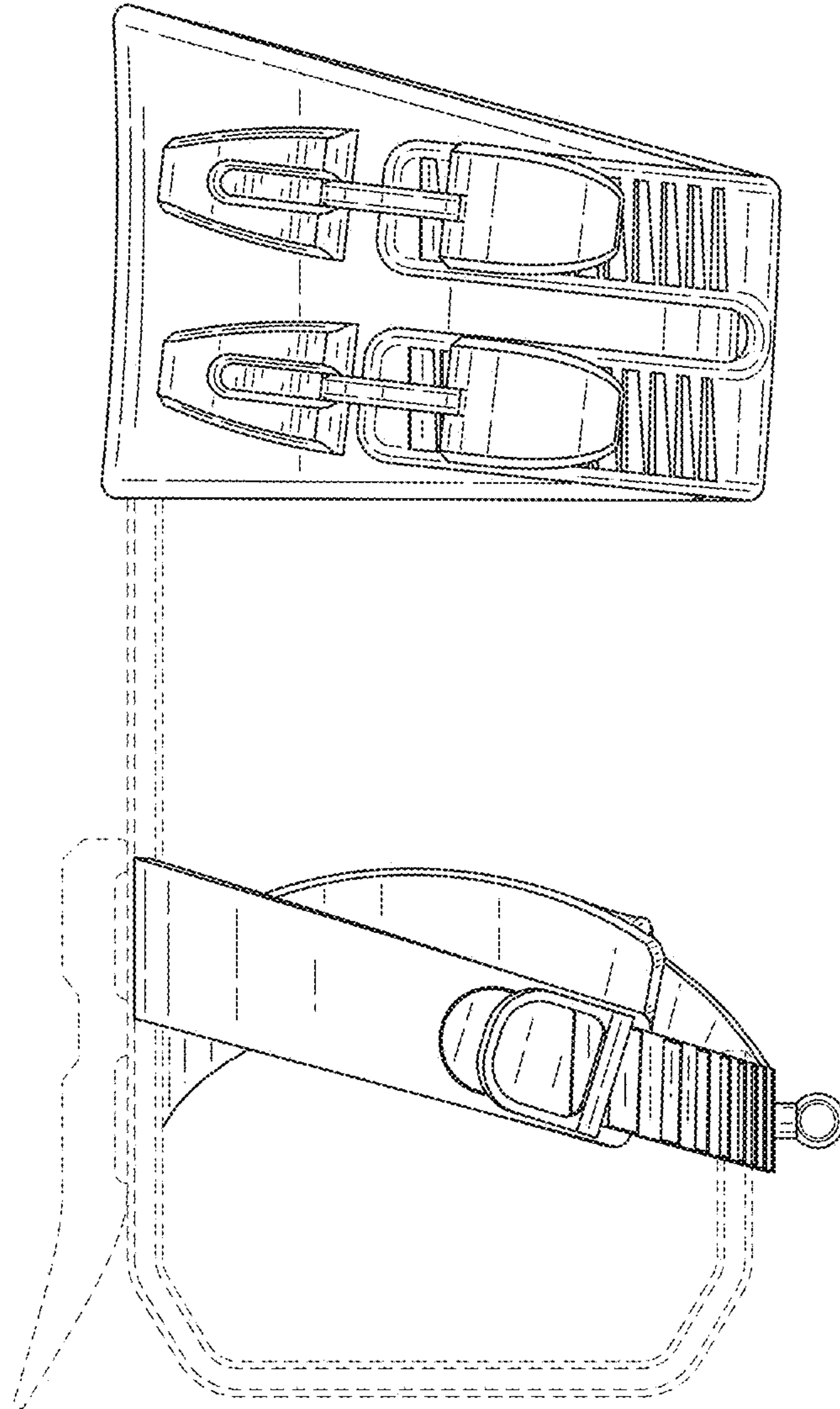


FIG.4

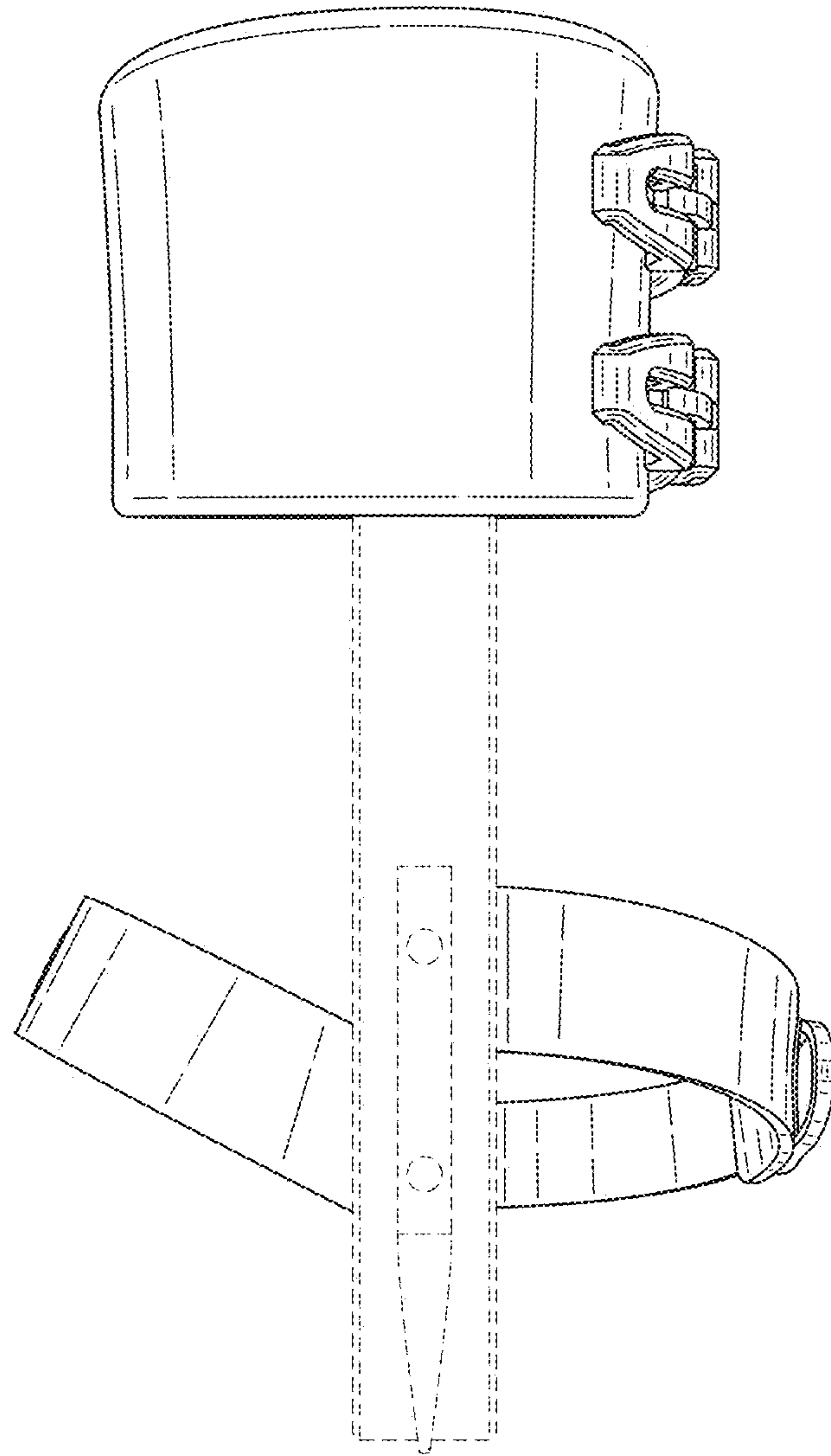


FIG.5

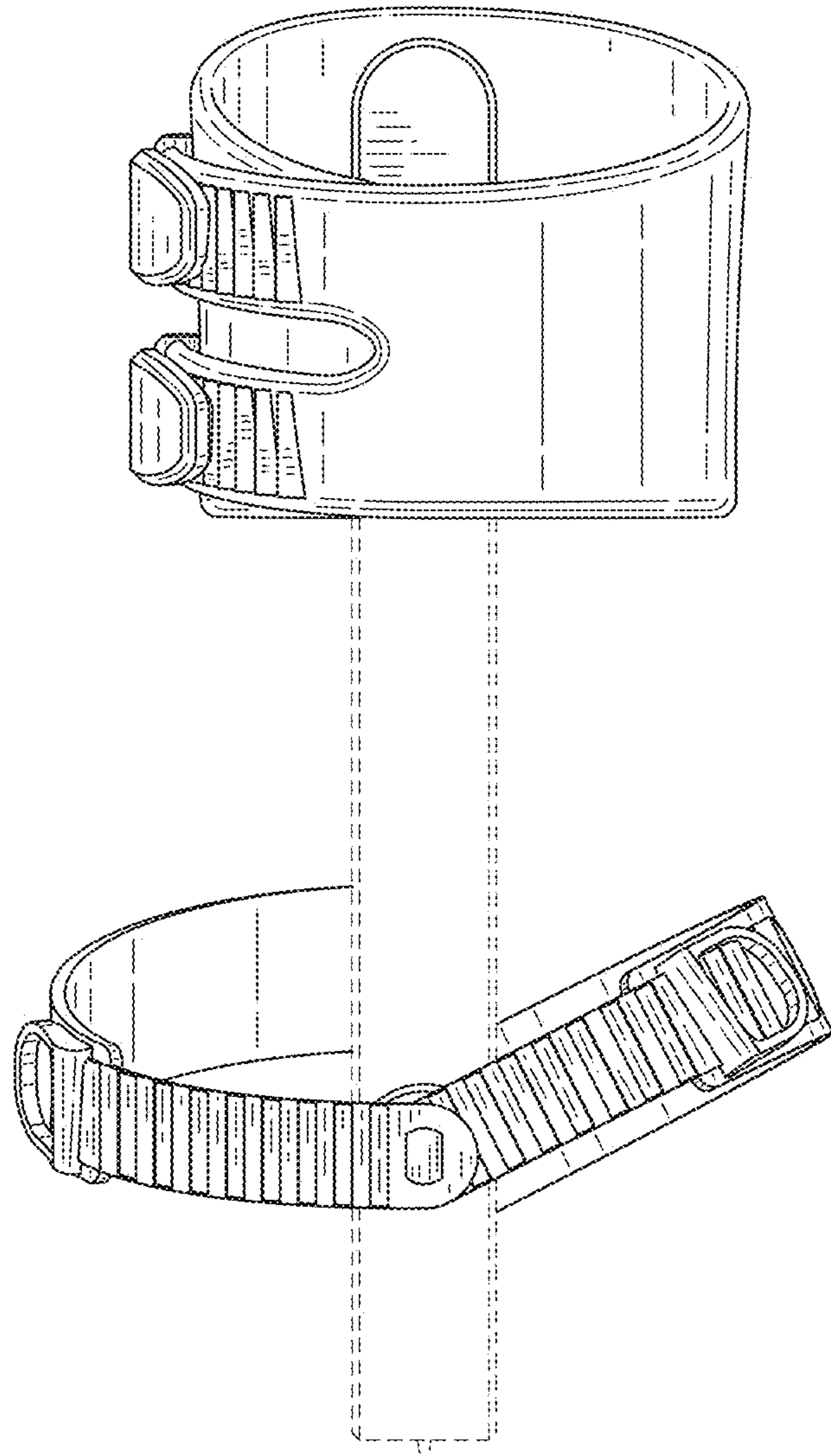


FIG.6

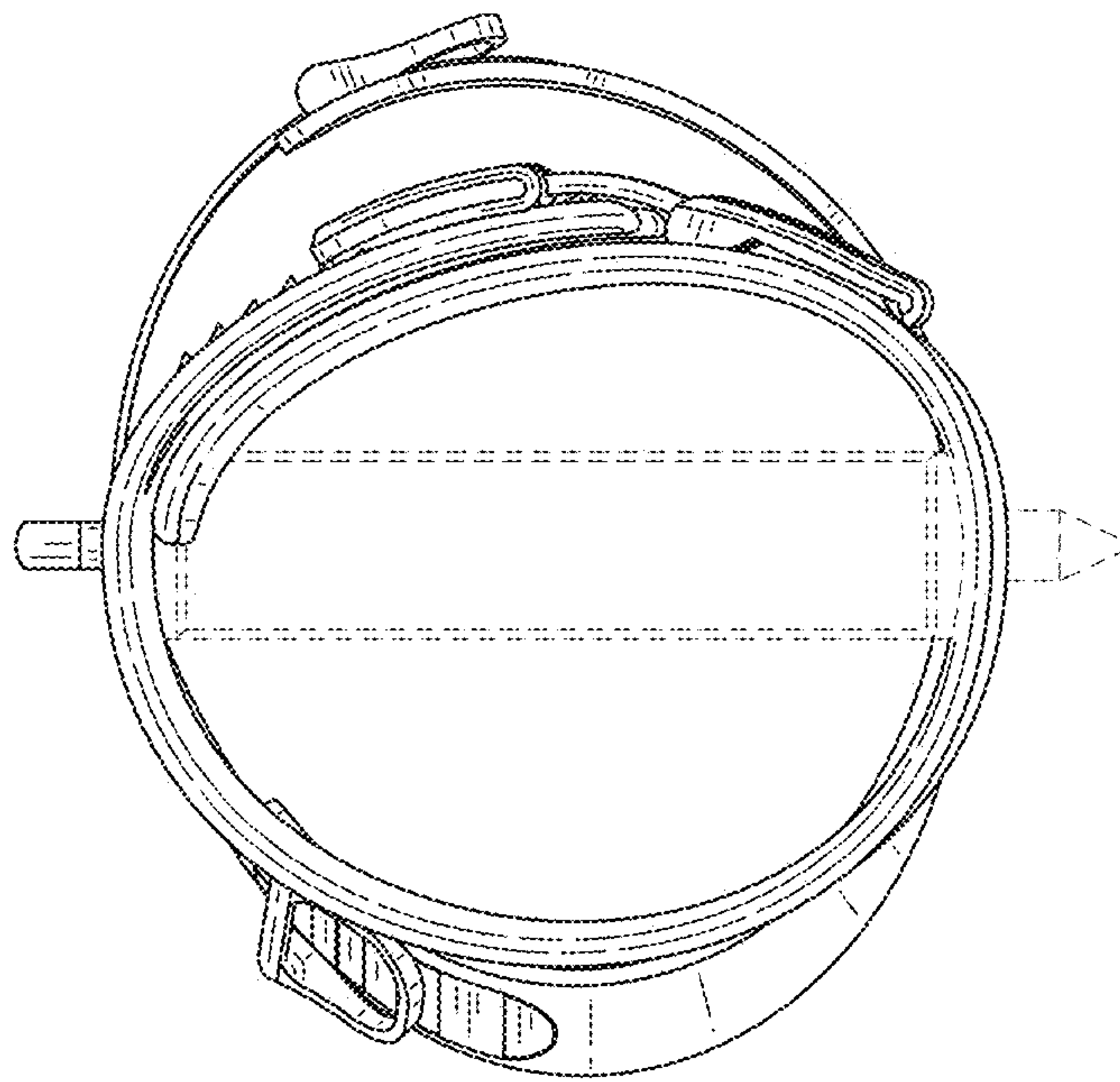


FIG.7

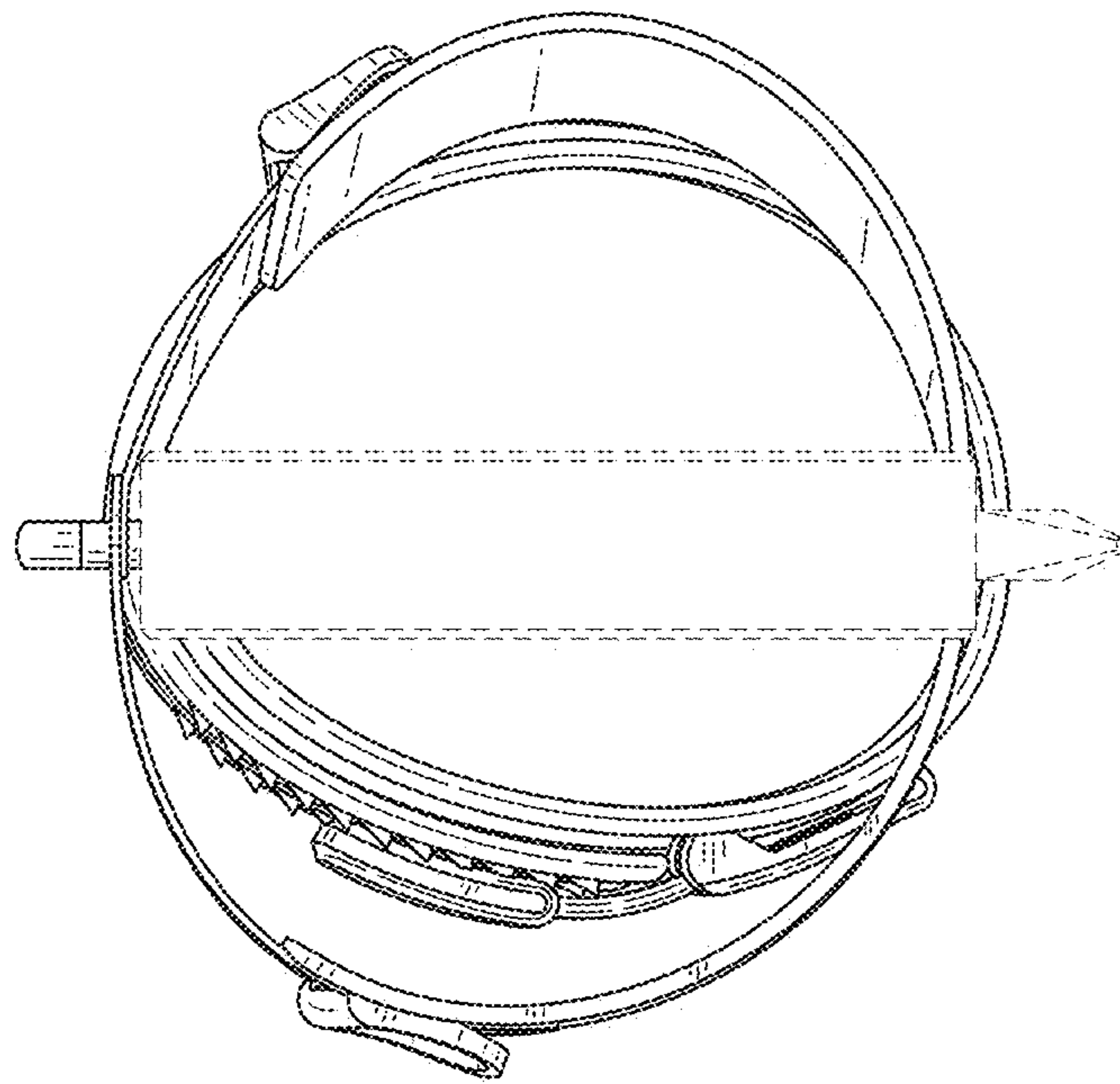


FIG.8