



US00D897652S

(12) **United States Design Patent**
Wilkinson

(10) **Patent No.:** **US D897,652 S**

(45) **Date of Patent:** **** Oct. 6, 2020**

(54) **OUTSOLE FOR FOOTWEAR**

(71) Applicant: **Vionic Group LLC**, San Rafael, CA (US)

(72) Inventor: **Emily Wilkinson**, East Lyme, CT (US)

(73) Assignee: **Vionic Group LLC**, San Rafael, CA (US)

(**) Term: **15 Years**

(21) Appl. No.: **29/655,218**

(22) Filed: **Jun. 30, 2018**

(51) **LOC (12) Cl.** **02-04**

(52) **U.S. Cl.**
USPC **D2/960; D2/951**

(58) **Field of Classification Search**
USPC D2/902, 906, 908, 916, 918, 925,
D2/946-962, 977; 36/3 B, 22 R, 24.5,
36/25 R, 28, 32 R, 34 R, 59 C, 67 A, 103
CPC A43B 13/00; A43B 13/02; A43B 13/023;
A43B 13/026; A43B 13/04; A43B 13/08;
A43B 13/10; A43B 13/12; A43B 13/14;
A43B 13/141; A43B 13/143; A43B
13/16; A43B 13/18; A43B 13/181; A43B
13/187; A43B 13/189; A43B 13/20; A43B
13/22; A43B 13/223; A43B 13/24; A43B
13/28; A43B 13/30; A43B 13/32; A43B
13/34; A43B 13/36

See application file for complete search history.

(56) **References Cited**

U.S. PATENT DOCUMENTS

2,394,704 A * 2/1946 Loewer A43B 13/08
36/33
D294,537 S * 3/1988 Le D2/960

(Continued)

Primary Examiner — T Chase Nelson

(74) *Attorney, Agent, or Firm* — Reed Smith LLP; Nina Habib Borders

(57) **CLAIM**

The ornamental design for the outsole for footwear, as shown and described.

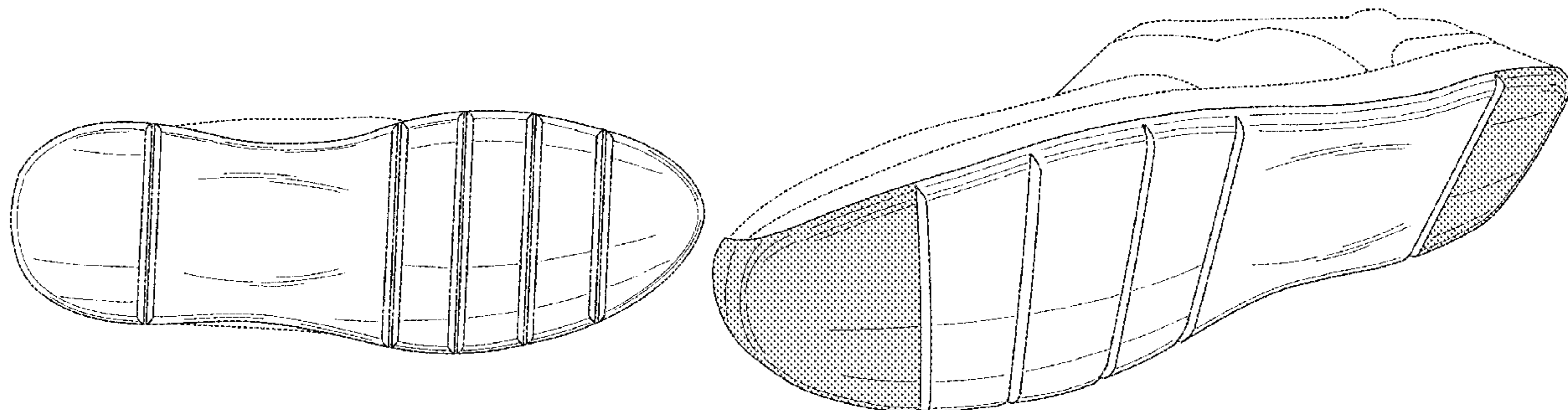
DESCRIPTION

FIG. 1 is a top perspective view of a first embodiment of my ornamental design for an outsole for footwear; FIG. 2 is a right side elevation view thereof; FIG. 3 is a left side elevation view thereof; FIG. 4 is a first bottom perspective view thereof; FIG. 5 is a bottom plan view thereof; FIG. 6 is a front elevational view thereof; FIG. 7 is a rear elevational view thereof; FIG. 8 is a second bottom perspective view thereof; FIG. 9 is a top perspective view of a second embodiment of my ornamental design for an outsole for footwear; FIG. 10 is a right side elevation view of the embodiment shown in FIG. 9; FIG. 11 is a left side elevation view of the embodiment shown in FIG. 9; FIG. 12 is a first bottom perspective view of the embodiment shown in FIG. 9; FIG. 13 is a bottom plan view of the embodiment shown in FIG. 9; FIG. 14 is a front elevational view of the embodiment shown in FIG. 9; FIG. 15 is a rear elevational view of the embodiment shown in FIG. 9; and, FIG. 16 is a second bottom perspective view of the embodiment shown in FIG. 9.

The broken lines show environmental structures in the form of a footwear upper and midsole that form no part of the claimed design.

The gray color in FIGS. 9-16 is included as shading to illustrate a color contrast between the heel and toe and the middle portion of the outsole, but gray color forms no part of the claimed design.

1 Claim, 6 Drawing Sheets



(56)

References Cited

U.S. PATENT DOCUMENTS

5,216,824 A * 6/1993 Blissett A43B 13/145
 36/28
 D394,143 S * 5/1998 Sink D2/960
 D490,225 S * 5/2004 McClaskie D2/960
 D492,840 S * 7/2004 Hearn D2/908
 D568,594 S * 5/2008 Ringholz D2/957
 D584,887 S * 1/2009 Earle D2/951
 D593,742 S * 6/2009 Issler D2/951
 D643,197 S * 8/2011 Teteriatnikov D2/951
 D660,568 S * 5/2012 Blakeslee D2/951
 D730,035 S * 5/2015 Henderson D2/947
 D730,640 S * 6/2015 Spring A43B 13/127
 D2/951
 D738,080 S * 9/2015 Raysse A43B 13/181
 D2/951
 D756,096 S * 5/2016 Bizzo D2/951
 D756,620 S * 5/2016 Boys A43B 3/108
 D2/947
 9,433,256 B2 * 9/2016 Callahan A43B 3/0057
 D778,565 S * 2/2017 Sars D2/960
 D785,306 S * 5/2017 Georgoulakis D2/947
 D785,307 S * 5/2017 Georgoulakis A43B 13/223
 D2/947

D806,995 S * 1/2018 Tæstensen et al. D2/923
 D813,509 S * 3/2018 O'Connor D2/953
 9,999,274 B2 * 6/2018 Henderson A43B 13/141
 D822,962 S * 7/2018 Ringdal D2/923
 D822,966 S * 7/2018 Thompson D2/953
 D827,257 S * 9/2018 Ringholz D2/916
 D831,319 S * 10/2018 Vasyli D2/960
 D831,938 S * 10/2018 Ghesquiere D2/902
 D834,795 S * 12/2018 Vasyli D2/947
 D843,098 S * 3/2019 Natowich McPhee
 A43B 13/141
 D2/960
 D845,598 S * 4/2019 Loveder D2/957
 D848,722 S * 5/2019 Ruark D2/960
 D858,056 S * 9/2019 Tæstensen D2/951
 D859,793 S * 9/2019 Vasyli D2/907
 D862,056 S * 10/2019 Wang D2/947
 D862,061 S * 10/2019 Wilkinson D2/960
 D870,441 S * 12/2019 Wilkinson D2/969
 D876,782 S * 3/2020 Fontaine D2/960
 2015/0143722 A1 * 5/2015 Faggin A43B 3/108
 36/25 R
 2016/0219974 A1 * 8/2016 Izquieta Anaut A43B 13/181
 2016/0227878 A1 * 8/2016 Lan A43B 13/223
 2017/0318899 A1 * 11/2017 Hendrix A43B 13/127
 2018/0295935 A1 * 10/2018 Giandolini A43B 13/141

* cited by examiner

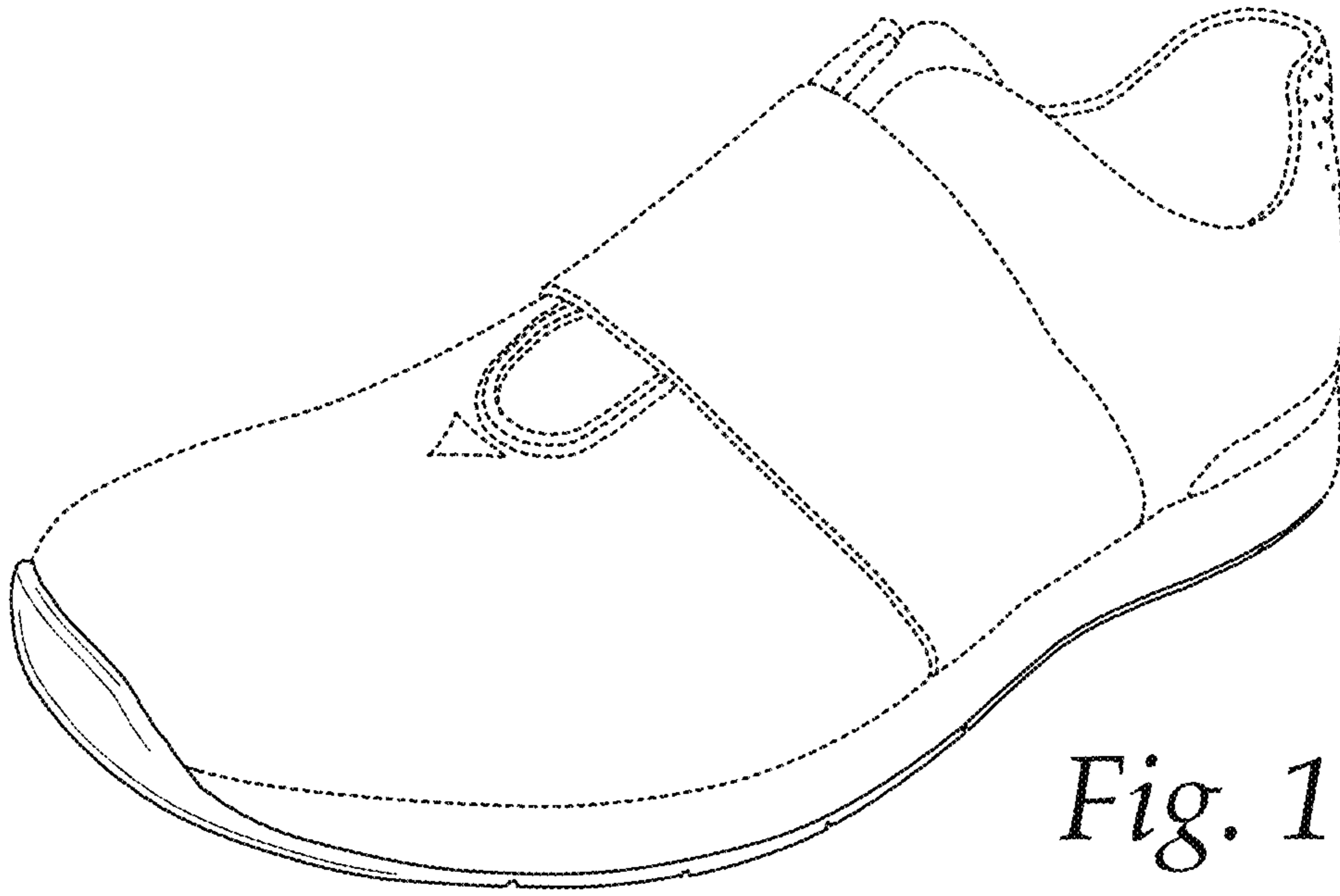


Fig. 1

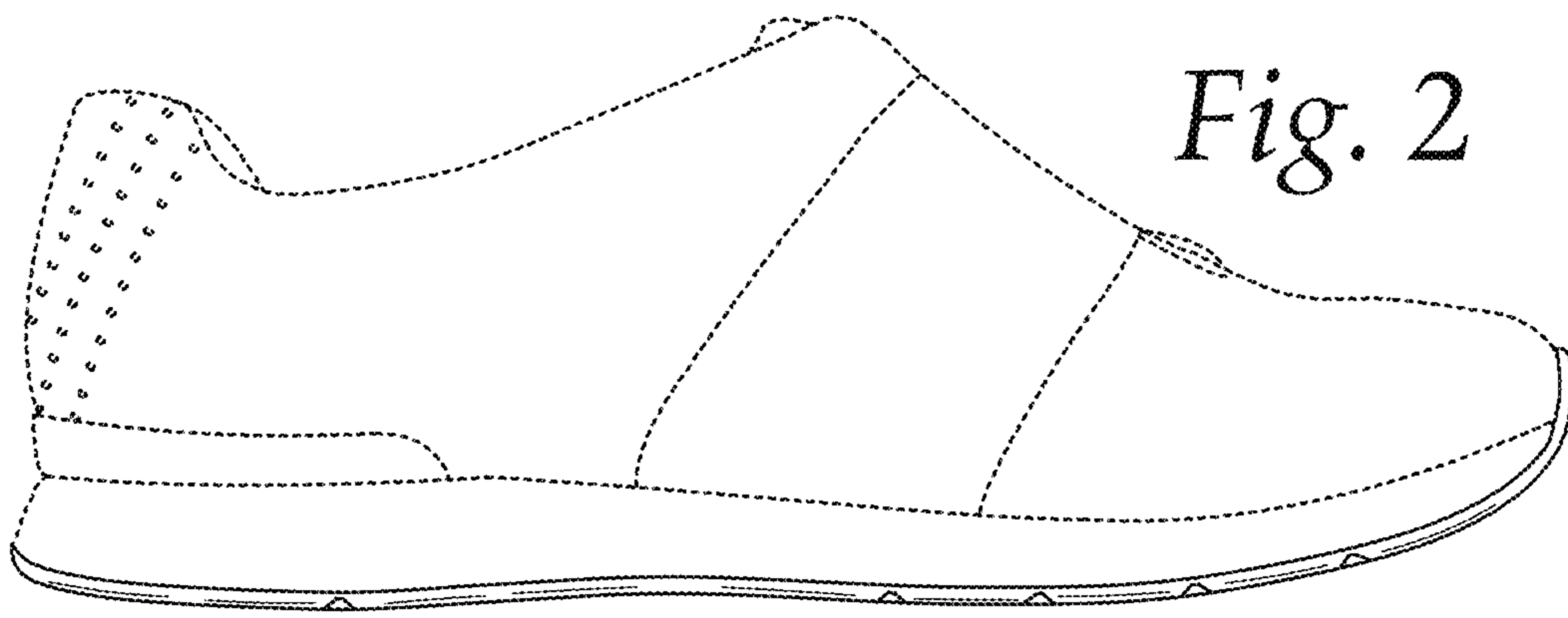


Fig. 2

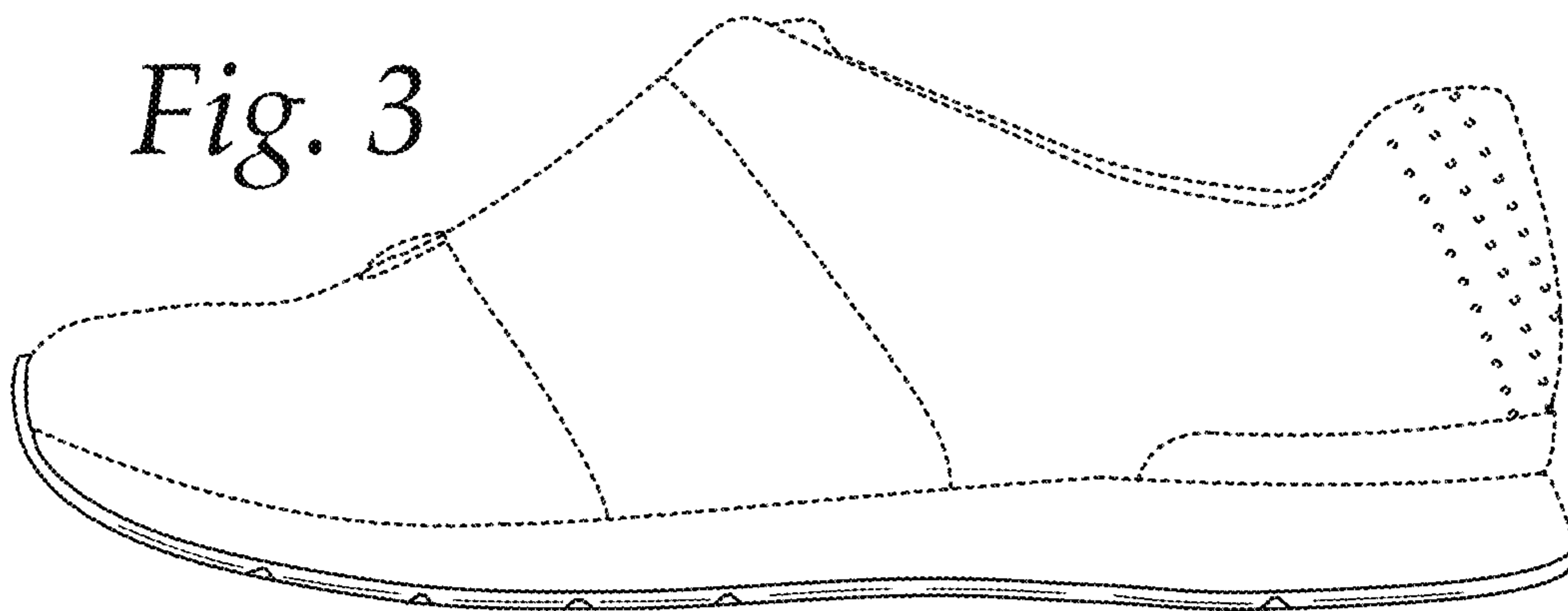
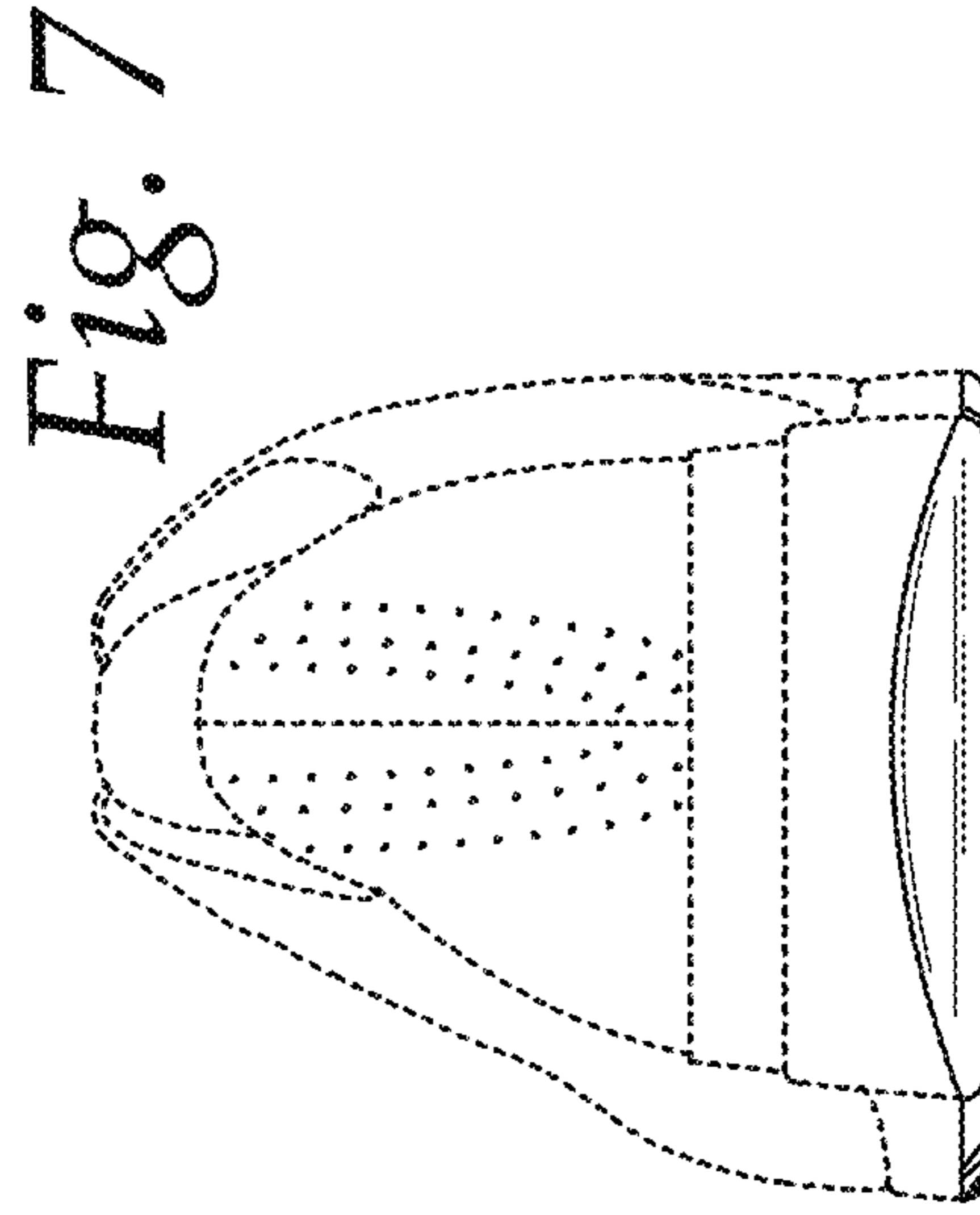
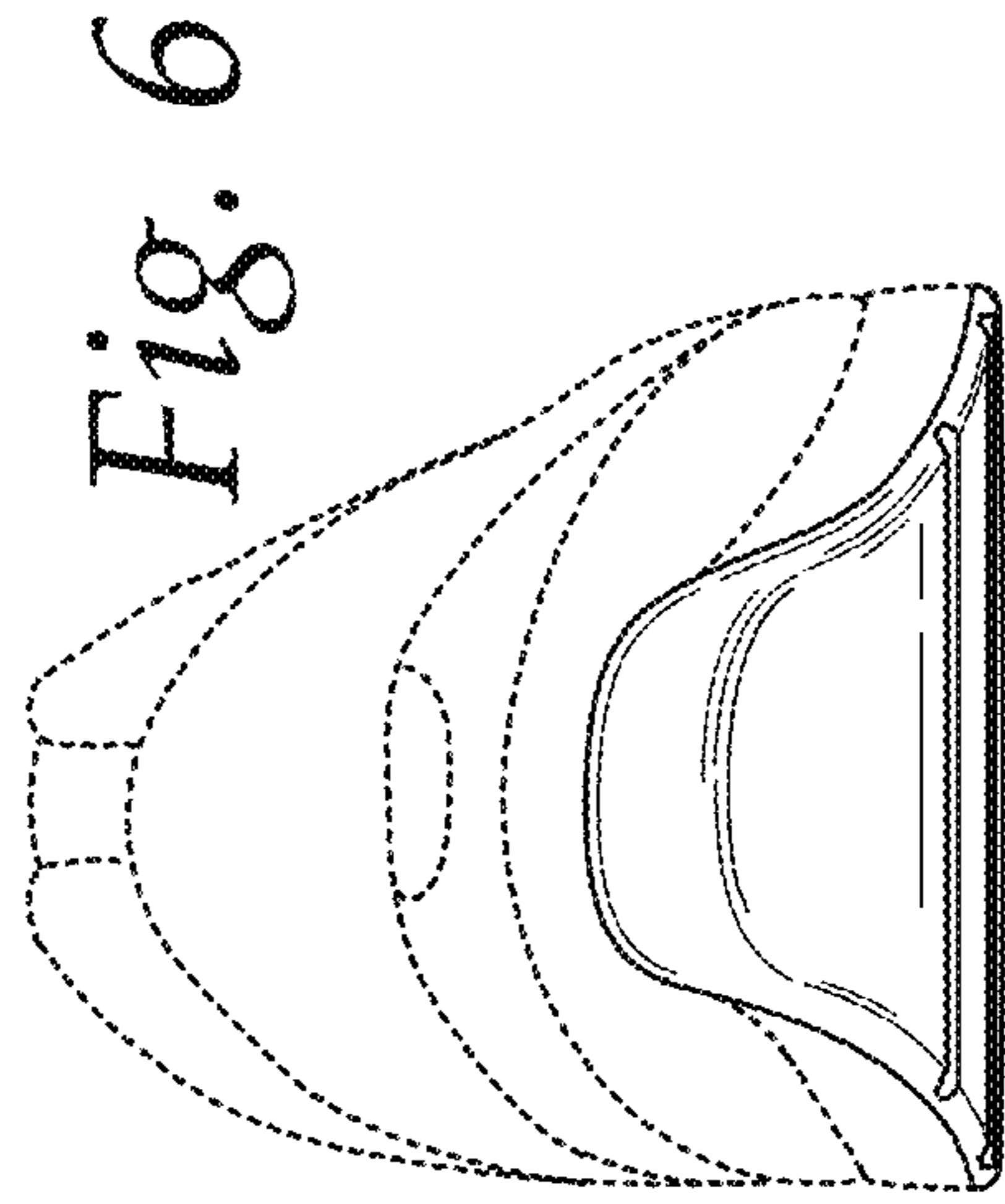
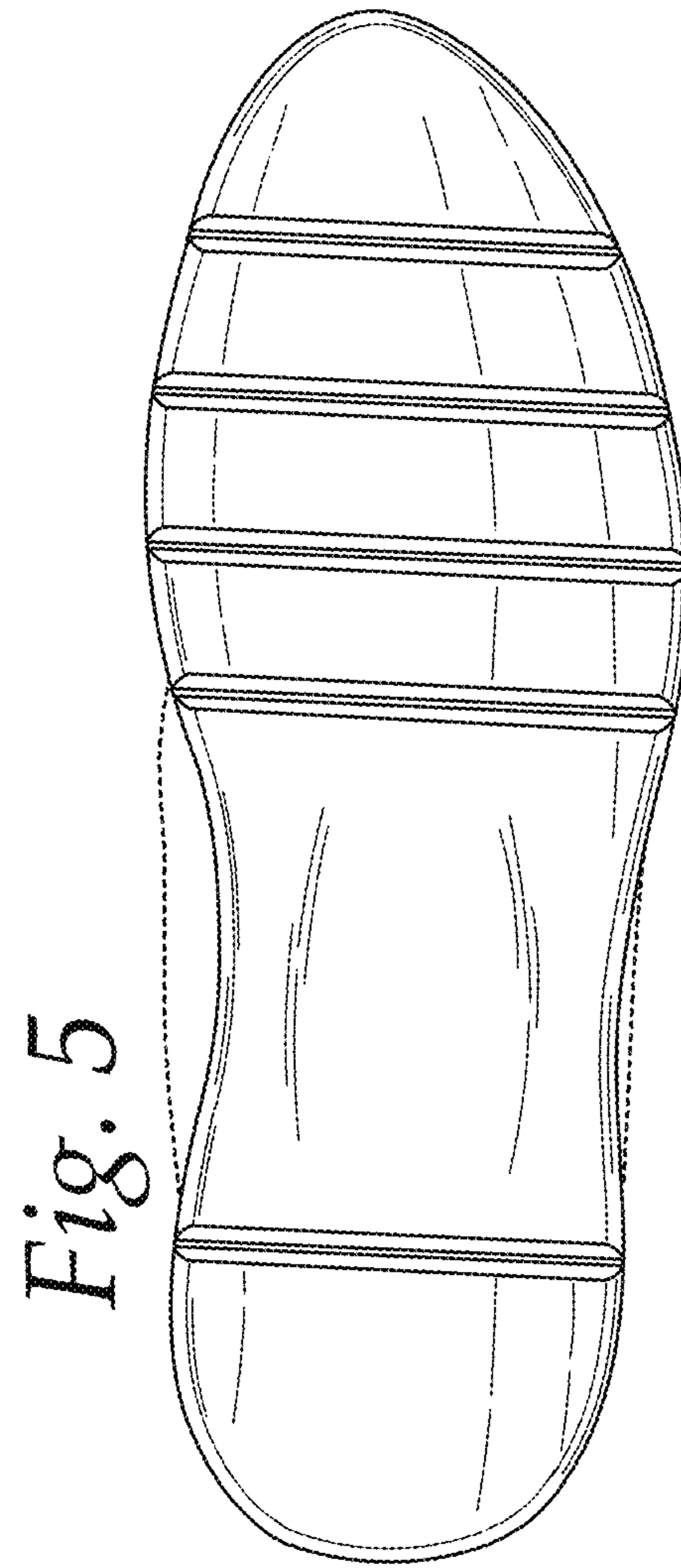
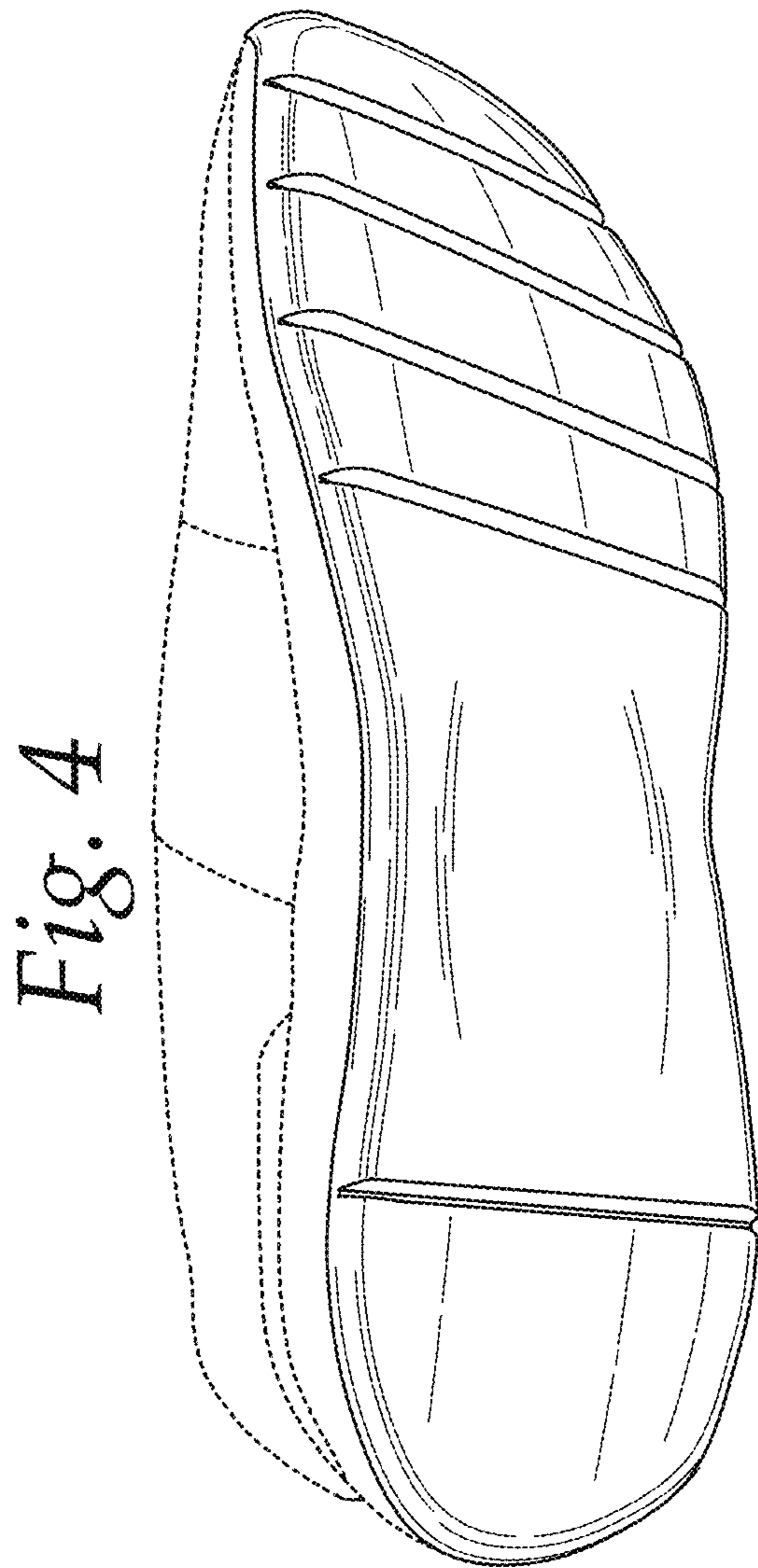


Fig. 3



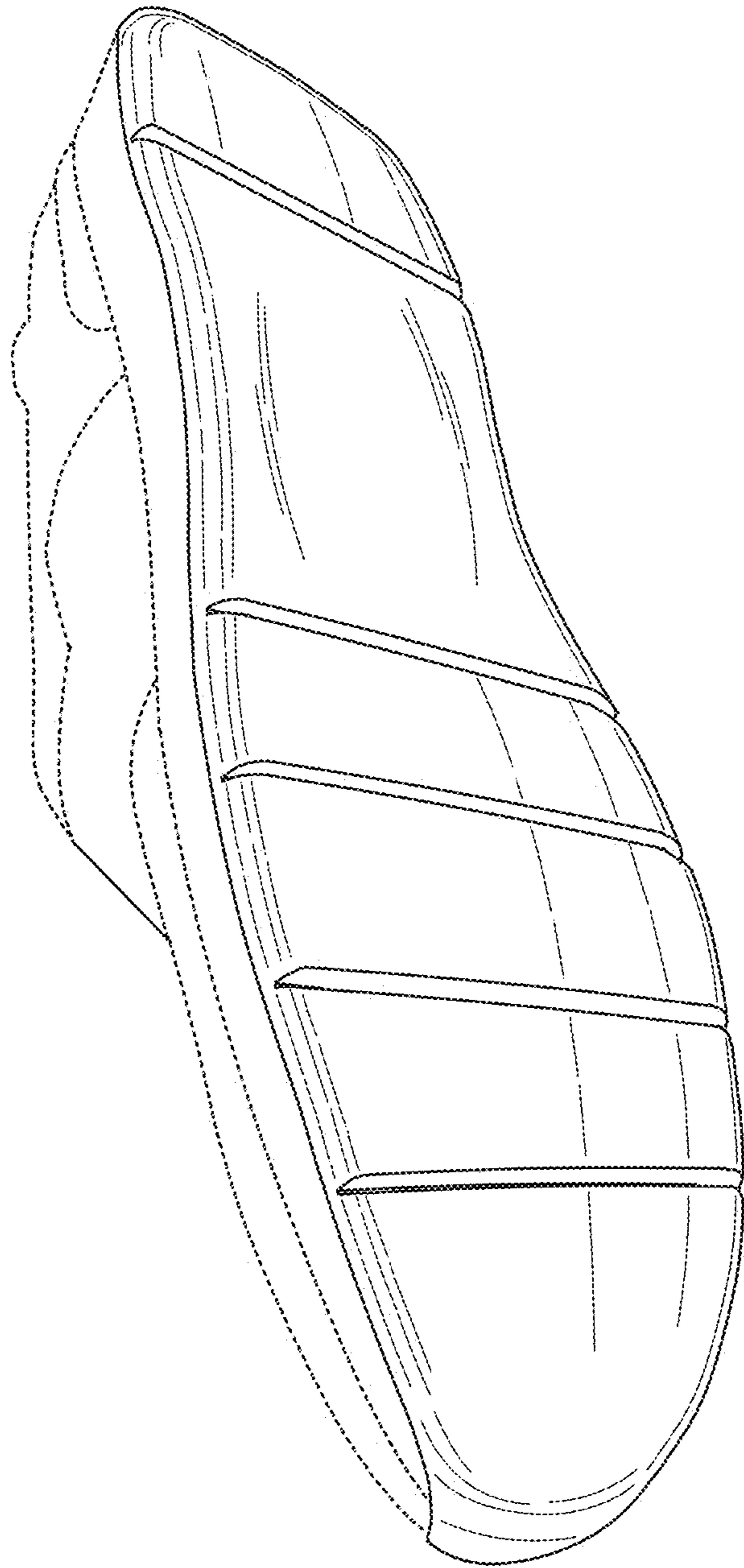


Fig. 8

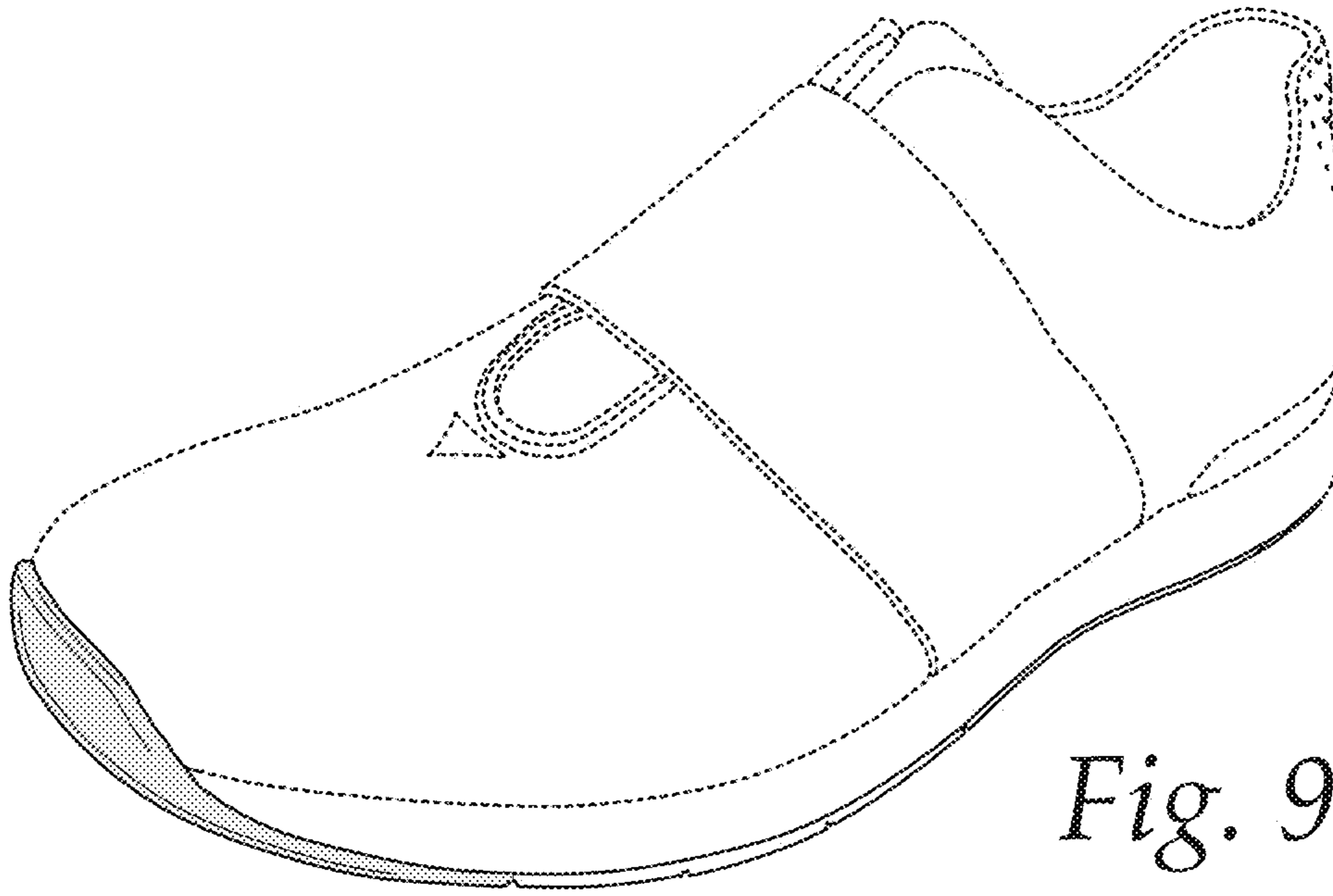


Fig. 9

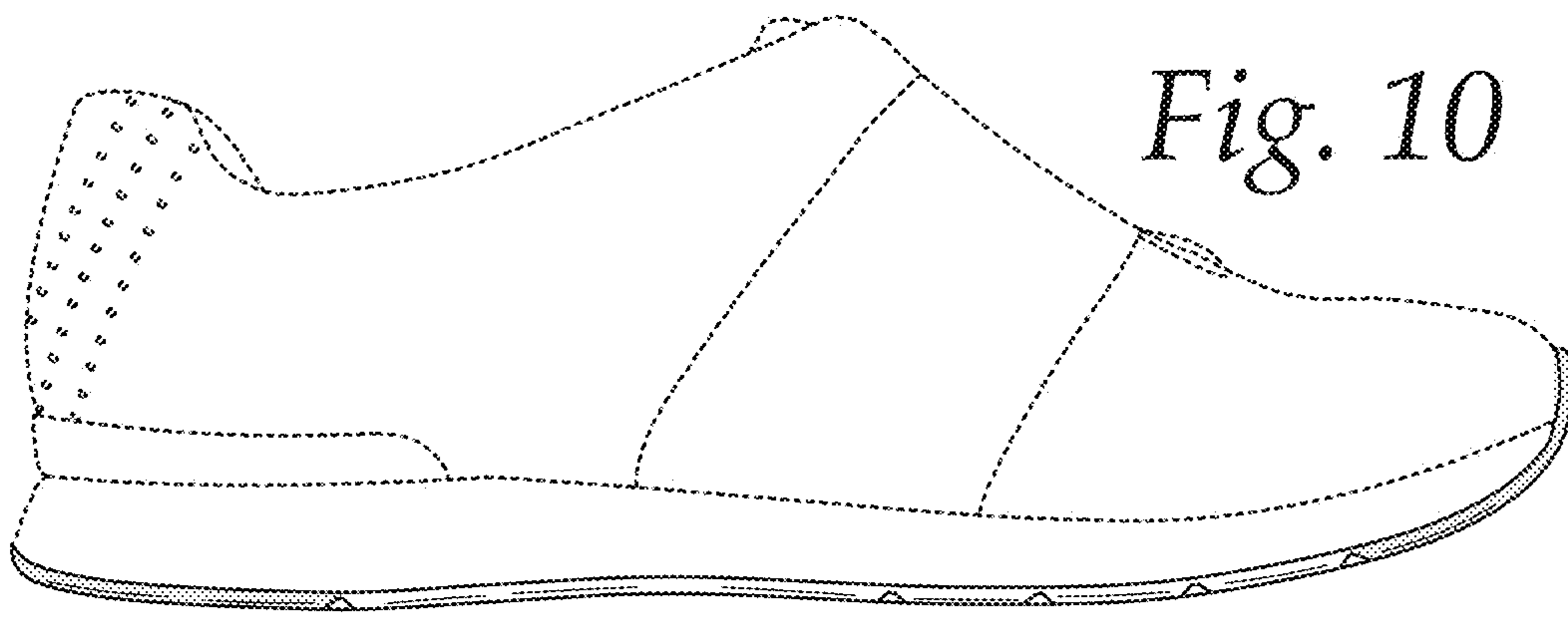


Fig. 10

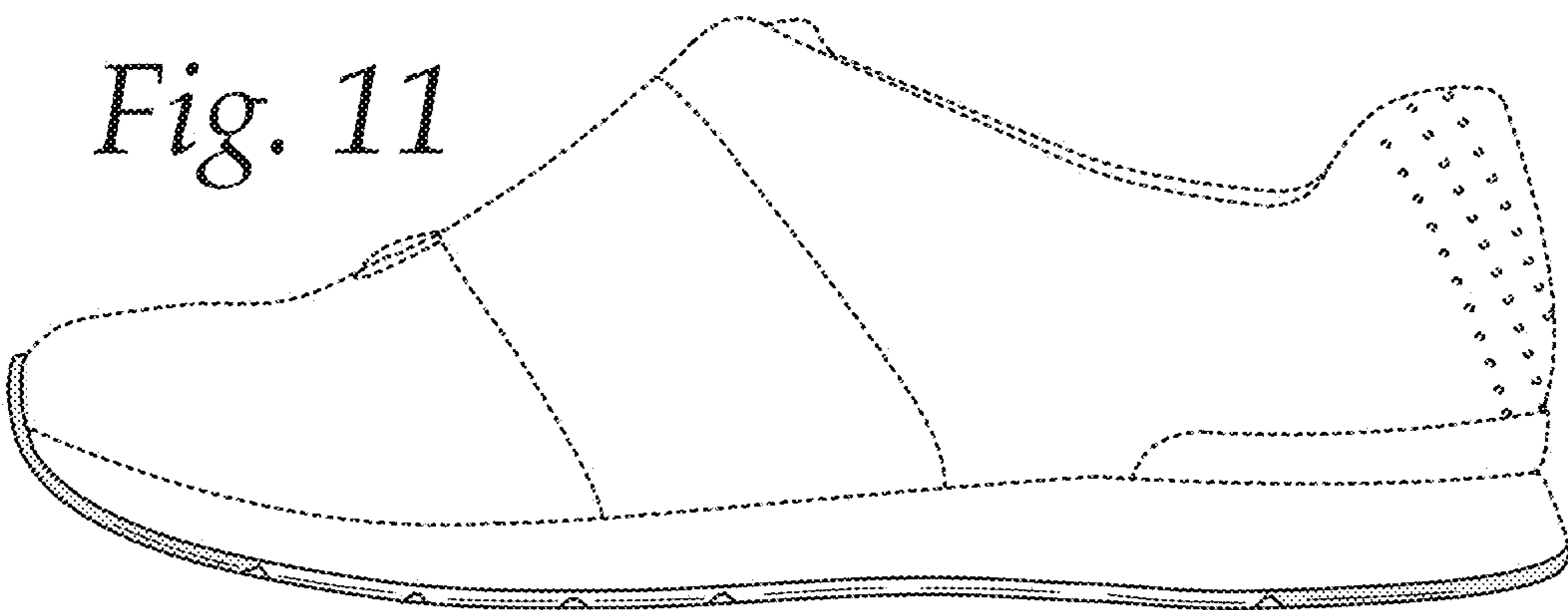


Fig. 11

Fig. 12

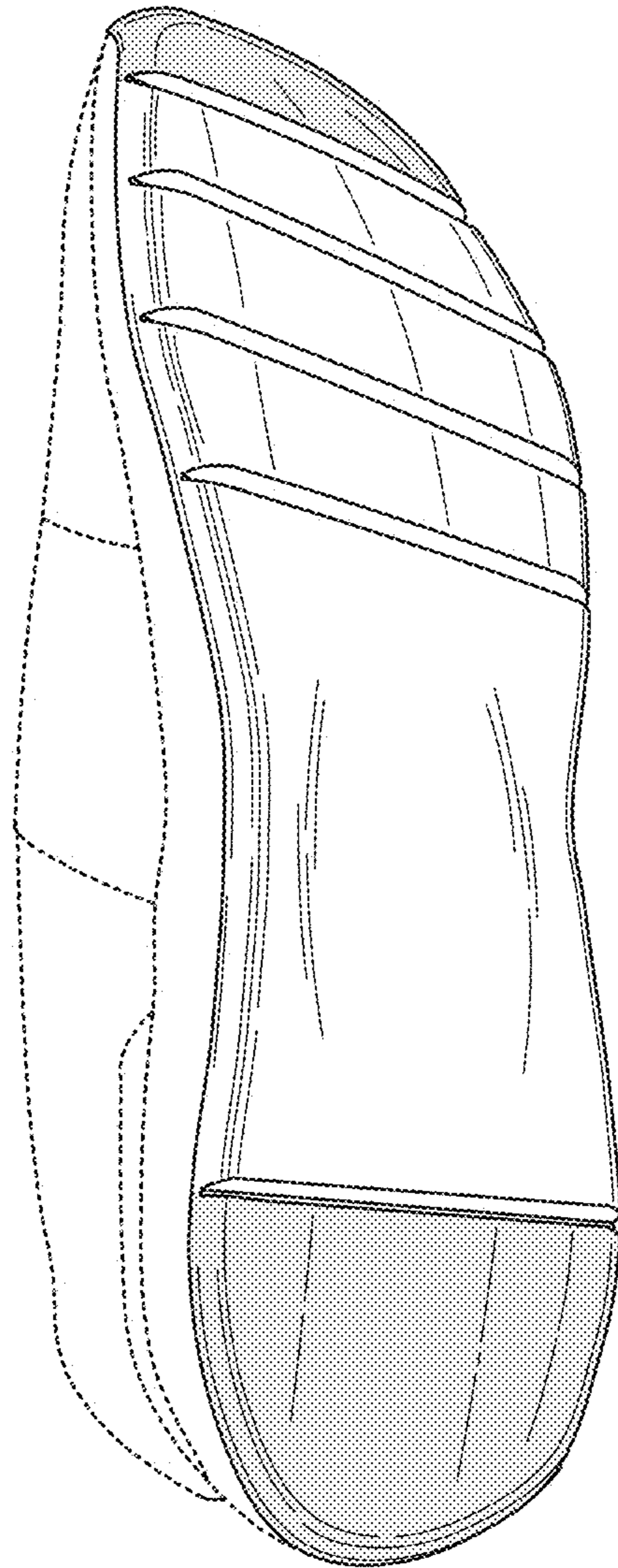


Fig. 13

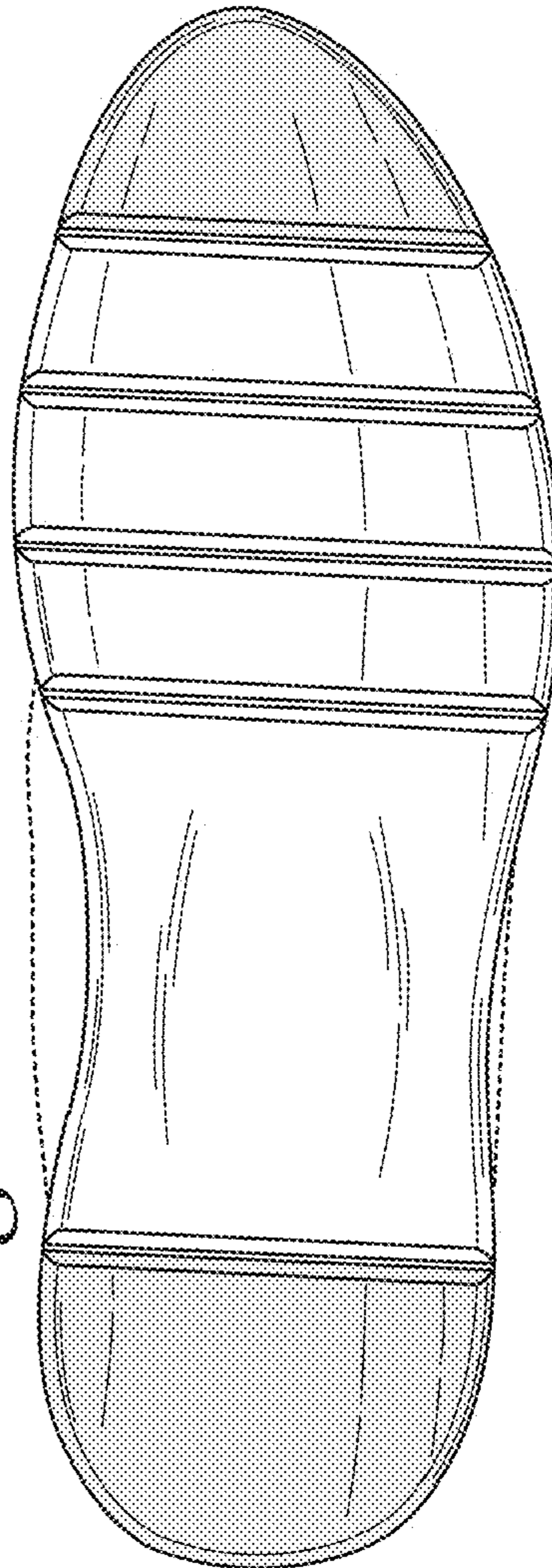


Fig. 14

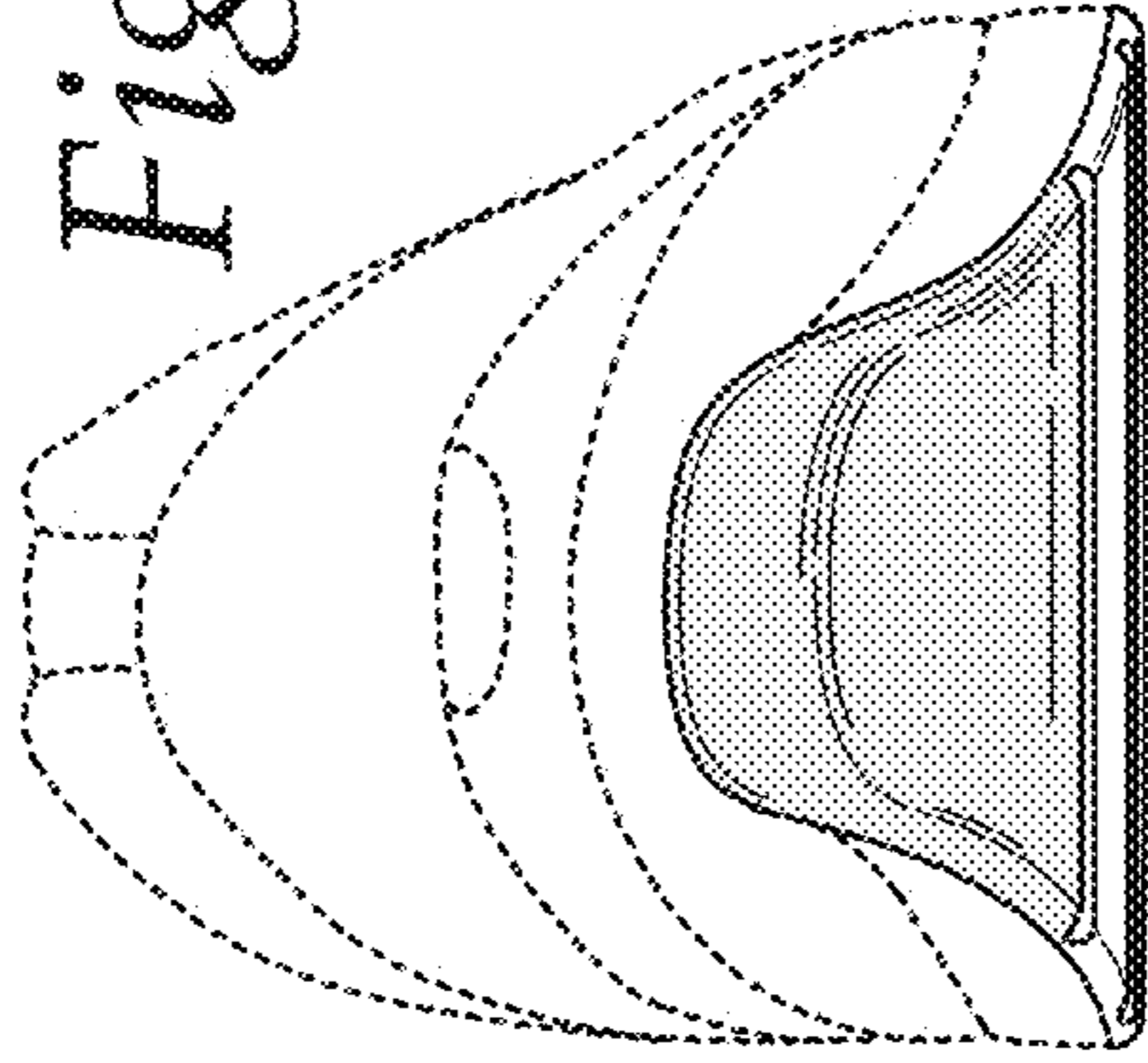
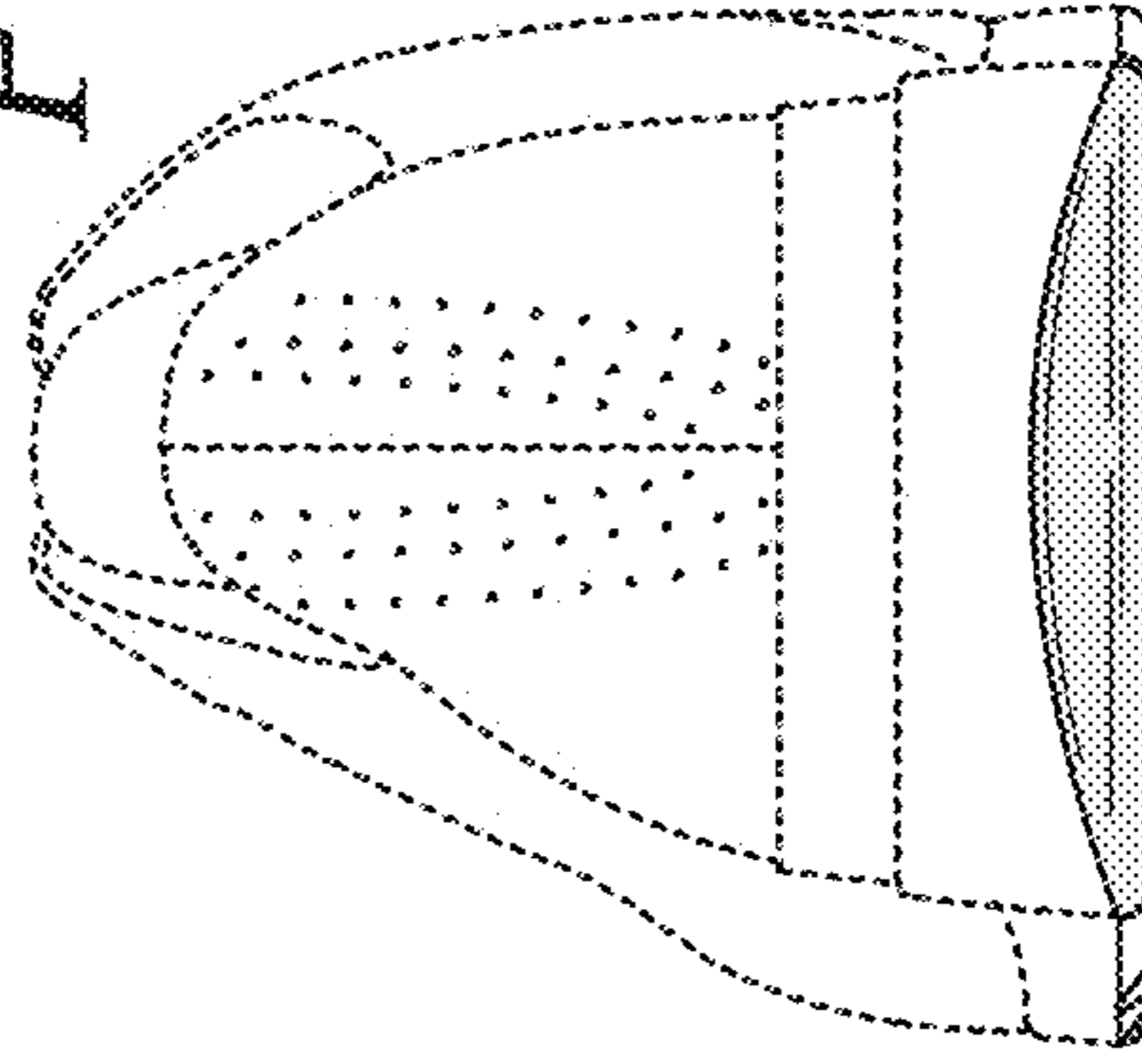


Fig. 15



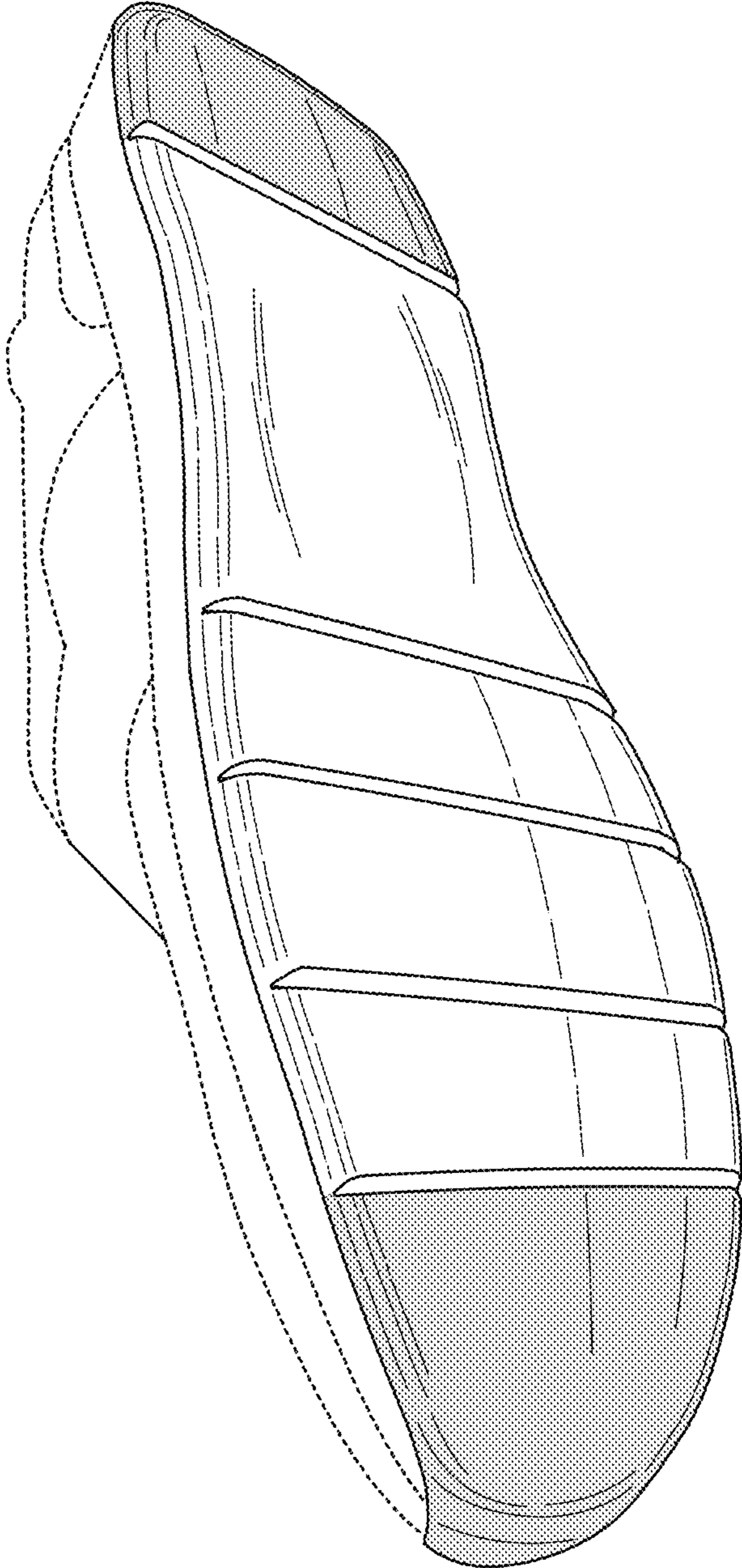


Fig. 16