



US00D897651S

(12) **United States Design Patent**
Rinella et al.

(10) **Patent No.:** **US D897,651 S**
(45) **Date of Patent:** **** Oct. 6, 2020**

- (54) **SOLE**
- (71) Applicant: **Reebok International Limited**, London (GB)
- (72) Inventors: **Brian Rinella**, Canton, MA (US);
Zachary Andrews, Boston, MA (US);
Evan Belforti, Newton, MA (US)
- (73) Assignee: **Reebok International Limited**, London (GB)

(**) Term: **15 Years**

(21) Appl. No.: **29/682,741**

(22) Filed: **Mar. 7, 2019**

(51) **LOC (12) Cl.** **02-04**

(52) **U.S. Cl.**
USPC **D2/957; D2/947; D2/951; D2/953; D2/960**

(58) **Field of Classification Search**
USPC D2/902, 906, 908, 916, 918, 925,
D2/946-962, 977; 36/1, 1.5, 3 B, 22 R,
36/24.5, 25 R, 28, 32 R, 34 R, 59 C,
36/67 A, 101-107, 114-116, 117.3, 117.4,
36/124-136
CPC A43B 13/00; A43B 13/02; A43B 13/023;
A43B 13/026; A43B 13/04; A43B 13/08;
A43B 13/10; A43B 13/12; A43B 13/14;
A43B 13/141; A43B 13/143; A43B
13/16; A43B 13/18; A43B 13/181; A43B
13/187; A43B 13/189; A43B 13/20; A43B
13/22; A43B 13/223; A43B 13/24; A43B
13/28; A43B 13/30; A43B 13/32; A43B
13/34; A43B 13/36

See application file for complete search history.

(56) **References Cited**

U.S. PATENT DOCUMENTS

- D294,770 S * 3/1988 Selbiger D2/957
- D335,021 S * 4/1993 Hatfield D2/953

- D393,342 S * 4/1998 Cass D2/951
- D394,944 S 6/1998 Doxey
- D394,945 S 6/1998 Doxey
- D395,339 S 6/1998 Gray
- D455,544 S 4/2002 Wilson
- D467,712 S * 12/2002 Delgorgue D2/951
- D468,083 S * 1/2003 Morais D2/959
- D471,347 S * 3/2003 Haas D2/953
- D471,696 S * 3/2003 Recchi D2/953
- D473,366 S * 4/2003 Hillyer D2/953

(Continued)

OTHER PUBLICATIONS

Dmexpert Shoes, Reebok.com, [online], [site visited May 19, 2020].
<URL: <https://www.reebok.com/us/dmexpert-shoes/EG7911.html>> (Year: 2020).*

(Continued)

Primary Examiner — T Chase Nelson
Assistant Examiner — Jonathan J. Han
(74) *Attorney, Agent, or Firm* — Sterne, Kessler,
Goldstein & Fox P.L.L.C.

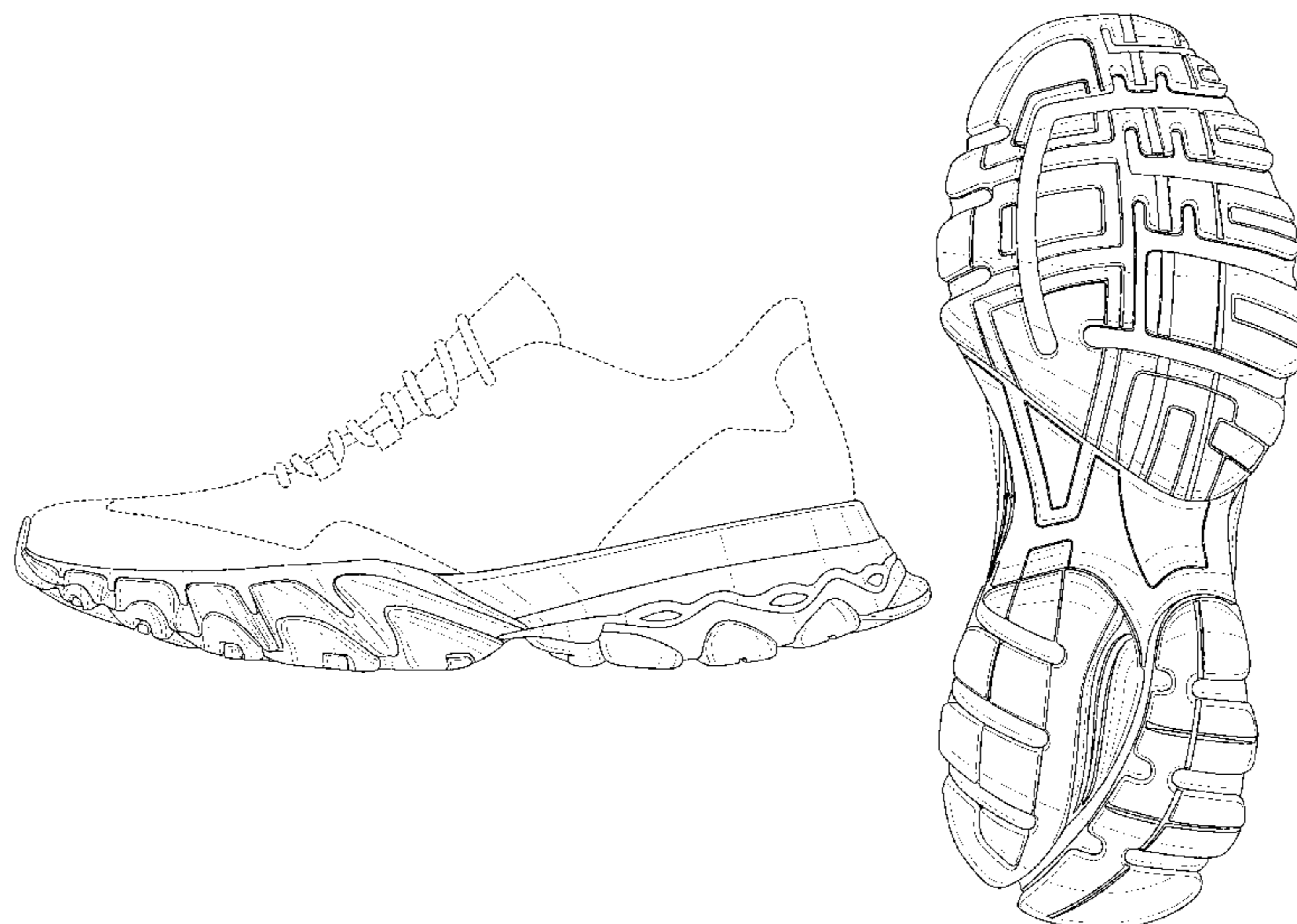
(57) **CLAIM**

The ornamental design for a sole, as shown and described.

DESCRIPTION

FIG. 1 is a bottom perspective view of a sole showing the claimed design;
FIG. 2 is a front view thereof;
FIG. 3 is a rear view thereof;
FIG. 4 is a left side view thereof;
FIG. 5 is a right side view thereof;
FIG. 6 is a top view thereof; and,
FIG. 7 is a bottom view thereof.
The broken lines in the figures show portions of the sole and environment that form no part of the claimed design.

1 Claim, 7 Drawing Sheets



(56)

References Cited

U.S. PATENT DOCUMENTS

D485,974 S * 2/2004 Zimmer D2/951
 D488,294 S * 4/2004 Lancon D2/953
 D496,525 S * 9/2004 Dykstra D2/957
 D497,706 S 11/2004 Belley et al.
 D501,708 S * 2/2005 Andrews-Kramer D2/953
 D504,757 S 5/2005 Schoenborn et al.
 D507,398 S * 7/2005 Recchi D2/951
 D508,160 S * 8/2005 Sonnergren D2/953
 D512,818 S 12/2005 Mitani et al.
 D512,819 S 12/2005 Usuki et al.
 D550,431 S 9/2007 Schoenborn et al.
 D550,436 S 9/2007 Matis et al.
 D553,334 S * 10/2007 Belley D2/954
 D554,840 S * 11/2007 McClaskie D2/953
 D564,740 S 3/2008 Matis et al.
 D566,938 S 4/2008 Matis et al.
 D566,939 S 4/2008 Schoenborn et al.
 D566,940 S 4/2008 Schoenborn et al.
 D570,582 S 6/2008 Roy et al.
 D586,991 S 2/2009 Fuerst
 D597,288 S 8/2009 McClaskie
 D603,151 S * 11/2009 Roundhouse D2/951
 D605,839 S * 12/2009 Horton D2/951
 D615,741 S * 5/2010 Matis D2/951
 D616,639 S 6/2010 Larregain et al.
 D655,902 S * 3/2012 Debiase D2/951
 D702,427 S * 4/2014 Hlavacs D2/951
 D707,933 S * 7/2014 McCourt D2/951
 D717,033 S 11/2014 Law et al.
 D755,490 S 5/2016 Nakano
 D778,566 S * 2/2017 Chang D2/951
 D794,919 S * 8/2017 Mason D2/902
 D795,539 S * 8/2017 Mason D2/902
 D797,425 S * 9/2017 Wegener D2/951
 D797,426 S * 9/2017 Wegener D2/947
 D801,658 S * 11/2017 Huard D2/960
 D802,899 S 11/2017 Bischoff et al.
 D805,743 S * 12/2017 Feeney D2/906
 D822,957 S * 7/2018 Brunner D2/908
 D825,163 S 8/2018 Montross et al.
 D836,892 S * 1/2019 Jenkins D2/947

D841,299 S 2/2019 Nikolic
 D841,964 S 3/2019 Kaiserswerth
 D849,382 S 5/2019 Jenkins et al.
 D850,083 S 6/2019 Jenkins et al.
 D854,300 S 7/2019 Evans
 D855,957 S 8/2019 Evans
 D855,959 S 8/2019 Jenkins et al.
 D859,801 S 9/2019 Jenkins et al.
 D864,539 S * 10/2019 Fuerst, Sr. D2/957
 2015/0135558 A1 * 5/2015 Inomata A43B 13/14
 36/25 R

OTHER PUBLICATIONS

Nike Zoom Fly 2 Reviewed & tested for Performance, WalkJogRun.com, by Noni Martin, Released 2015, [online], [site visited May 19, 2020]. <URL: <https://www.walkjogrun.net/nike-air-zoom-fly-2-reviewed/>> (Year: 2015).*

Sole Fury TS Shoes, Reebok.com, [online], [site visited Nov. 18, 2019]. <URL: <https://www.reebok.com/us/sole-fury-ts-shoes/DV9286.html>> (Year: 2019).

Sole Fury Trail Shoes, Reebok.com, [online], [site visited Nov. 18, 2019]. <URL: <https://www.reebok.com/us/sole-fury-trail-shoes/DV9416.html>> (Year: 2019).

Floatride Run Fast Pro Running Shoes, Reebok.com, [online], [site visited Nov. 18, 2019]. <URL: <https://www.reebok.com/us/floatride-run-fast-pro-running-shoes/CN6953.html>> (Year: 2019).

Reebok Sole Fury, Amazon.com, Date first listed on Amazon: Jan. 16, 2019, [online], [site visited Nov. 18, 2019]. <URL: <https://www.amazon.com/Reebok-Sole-Fury/dp/B07DGYQ1MM?th=1>> (Year: 2019).

Sole Fury 00 Shoes, Reebok.com, [online], [site visited Nov. 18, 2019]. <URL: <https://www.reebok.com/us/sole-fury-00-shoes/DV9254.html>> (Year: 2019).

Instapump Fury Original Men's Shoes, Reebok.com, [online], [site visited Nov. 18, 2019]. <URL: <https://www.reebok.com/us/instapump-fury-original-men-s-shoes/EH1787.html>> (Year: 2019).

Reebok's Sole Fury is Available Now, WearTesters.com, Nov. 8, 2018, [online], [site visited Nov. 18, 2019]. <URL: <https://weartesters.com/reeboks-sole-fury-is-available-now/>> (Year: 2019).

* cited by examiner

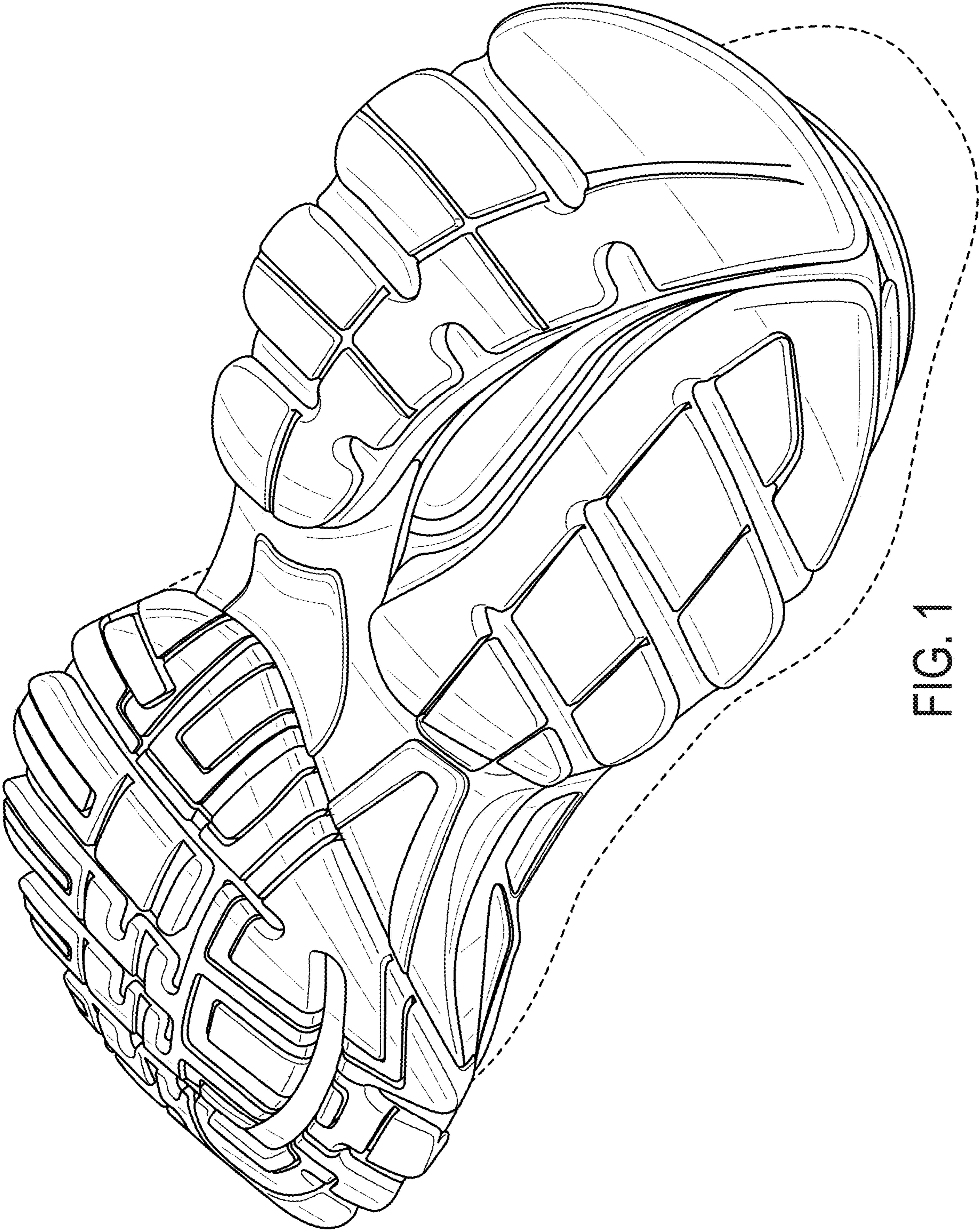


FIG. 1

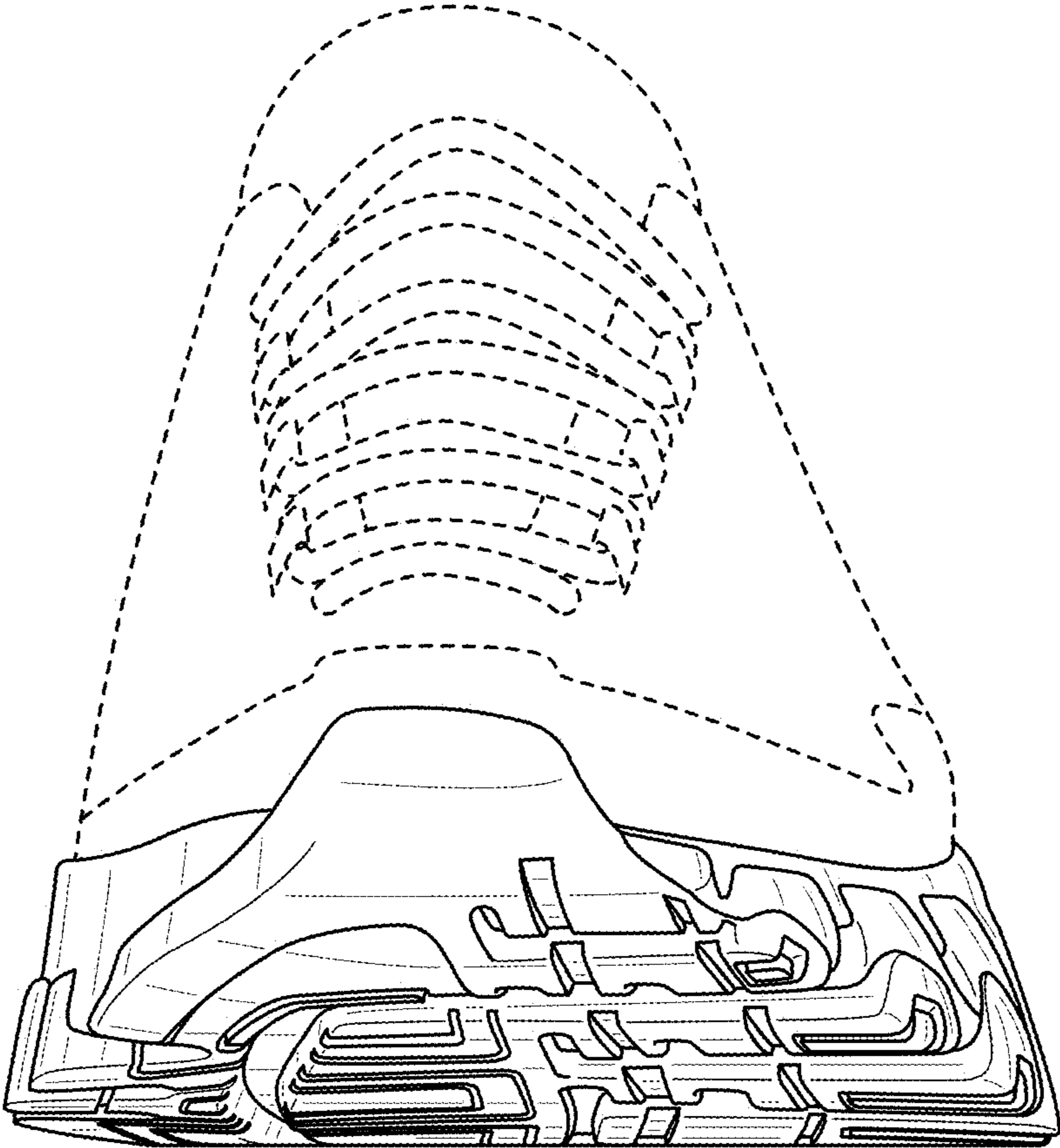


FIG. 2

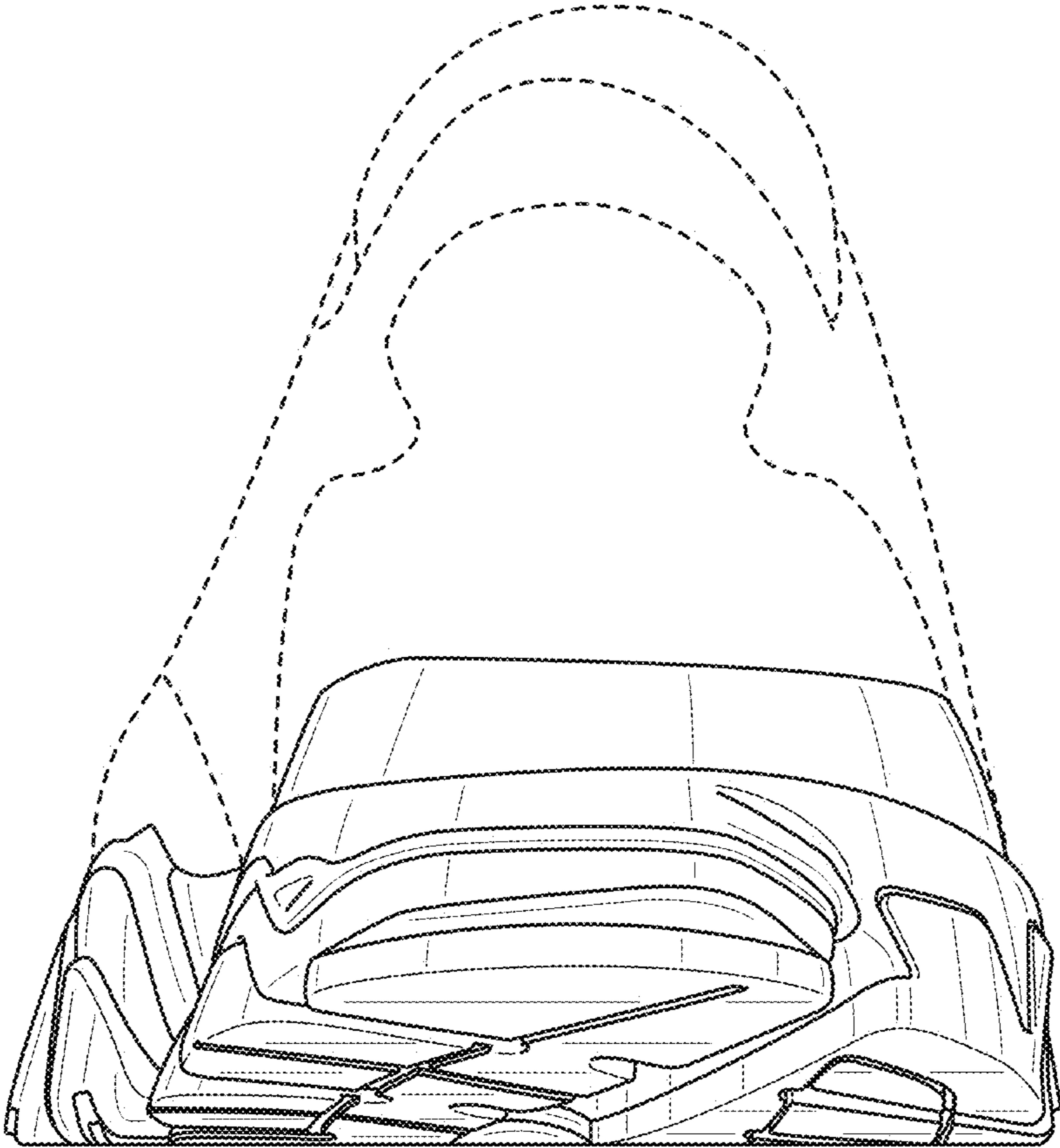


FIG. 3

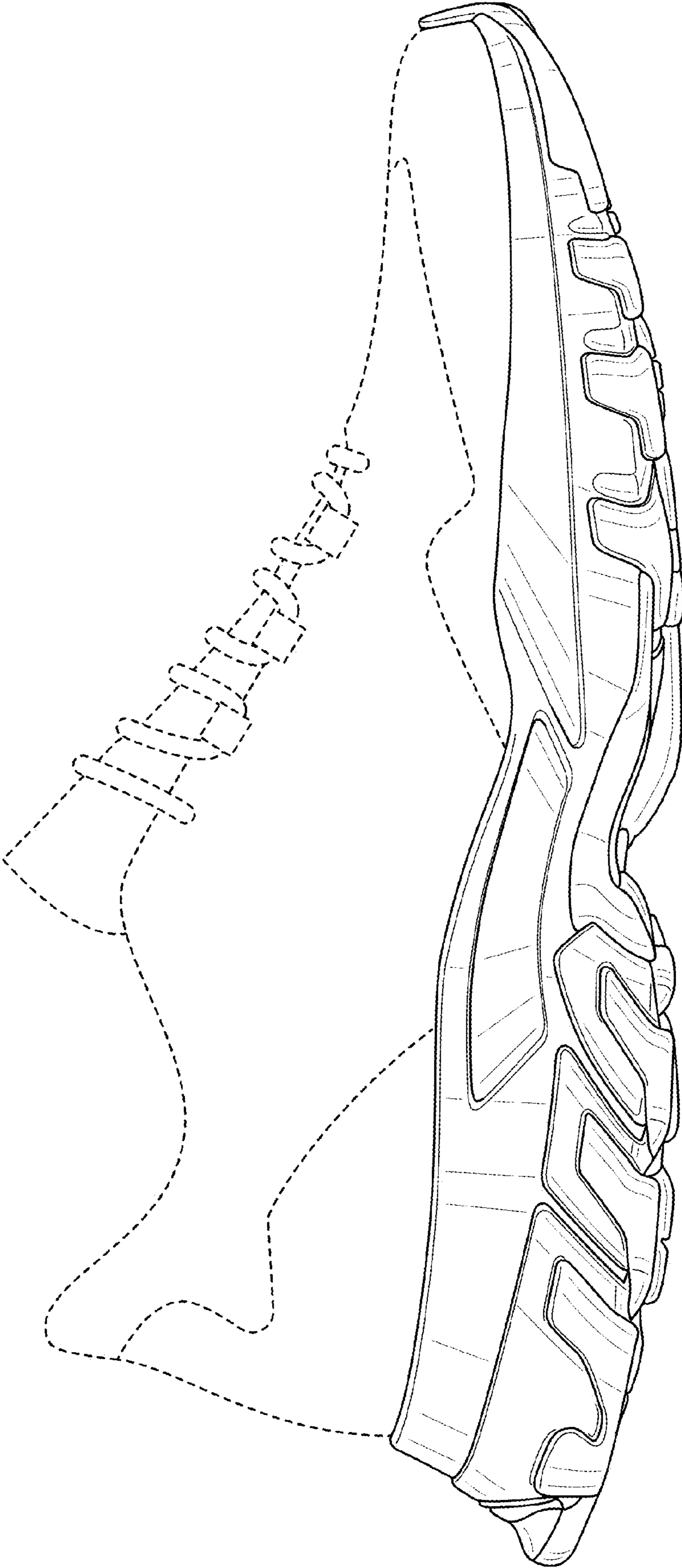


FIG. 4

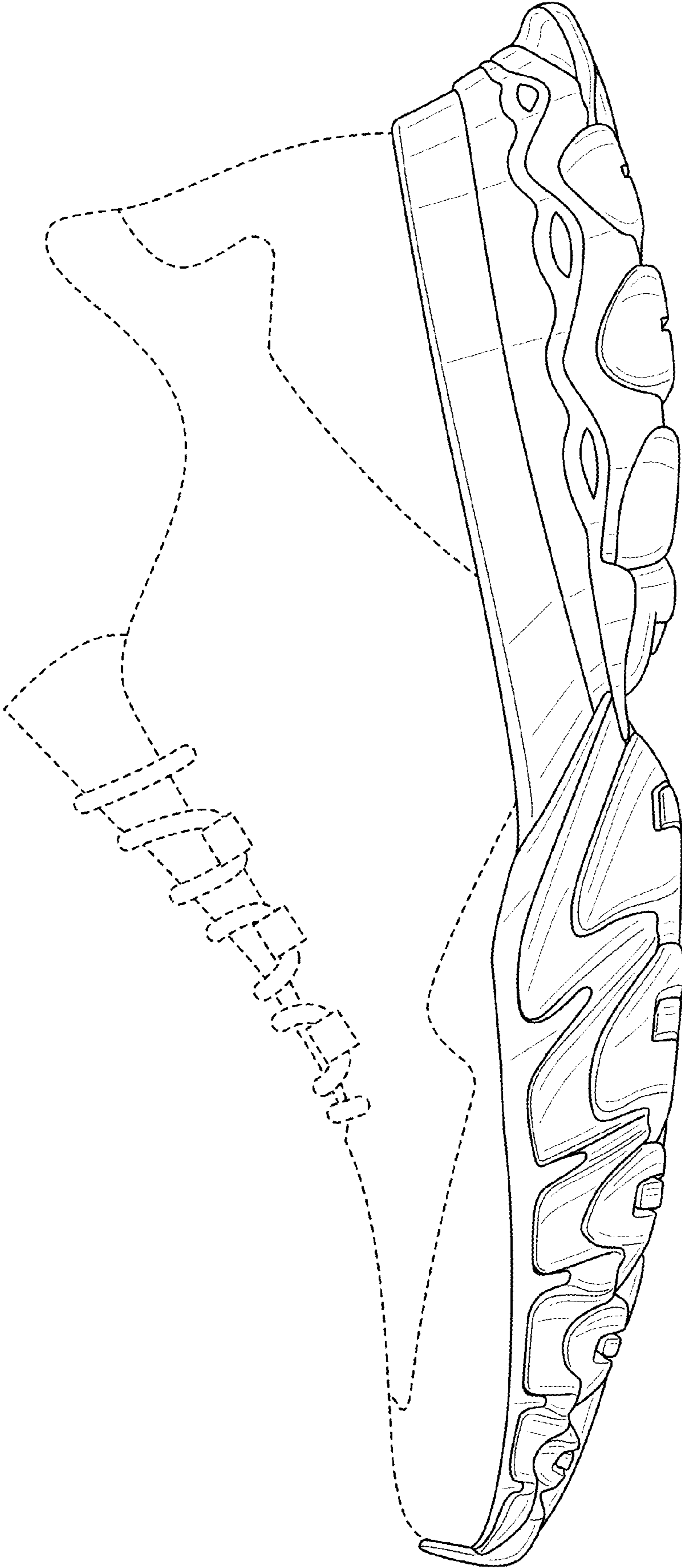


FIG. 5

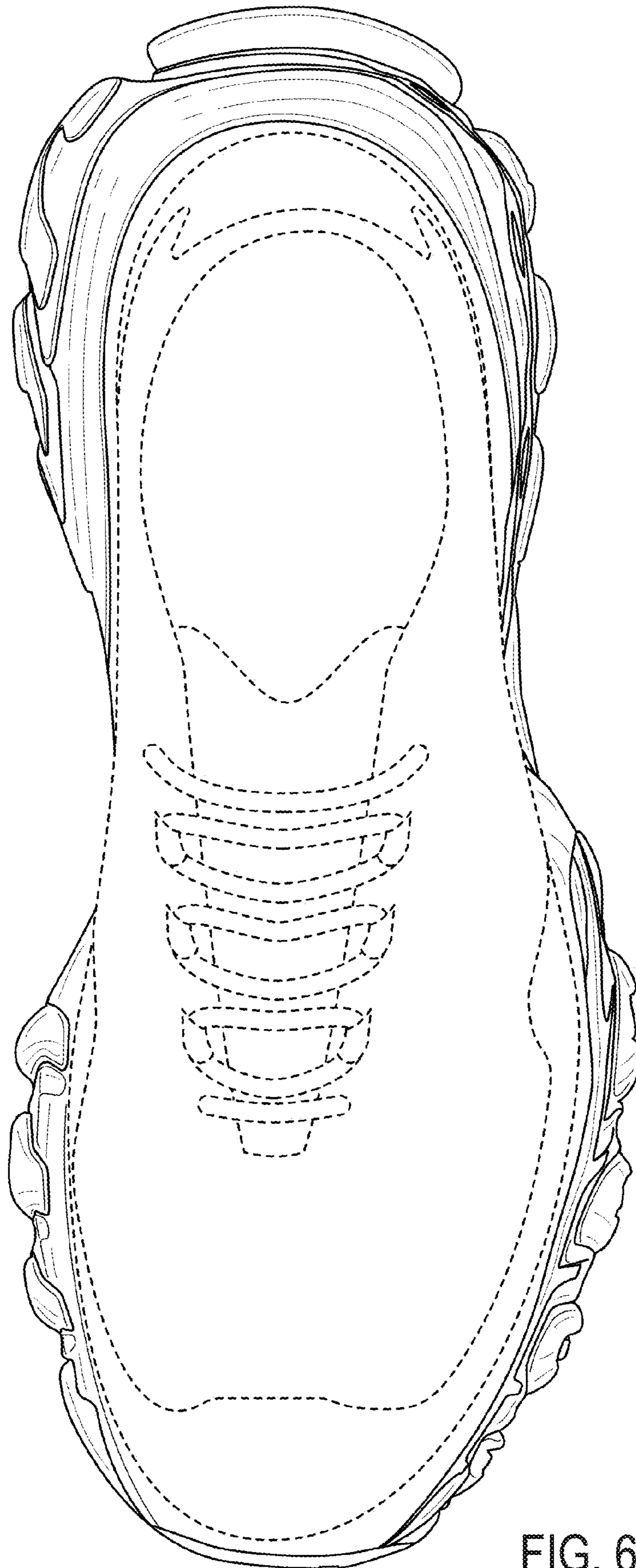


FIG. 6

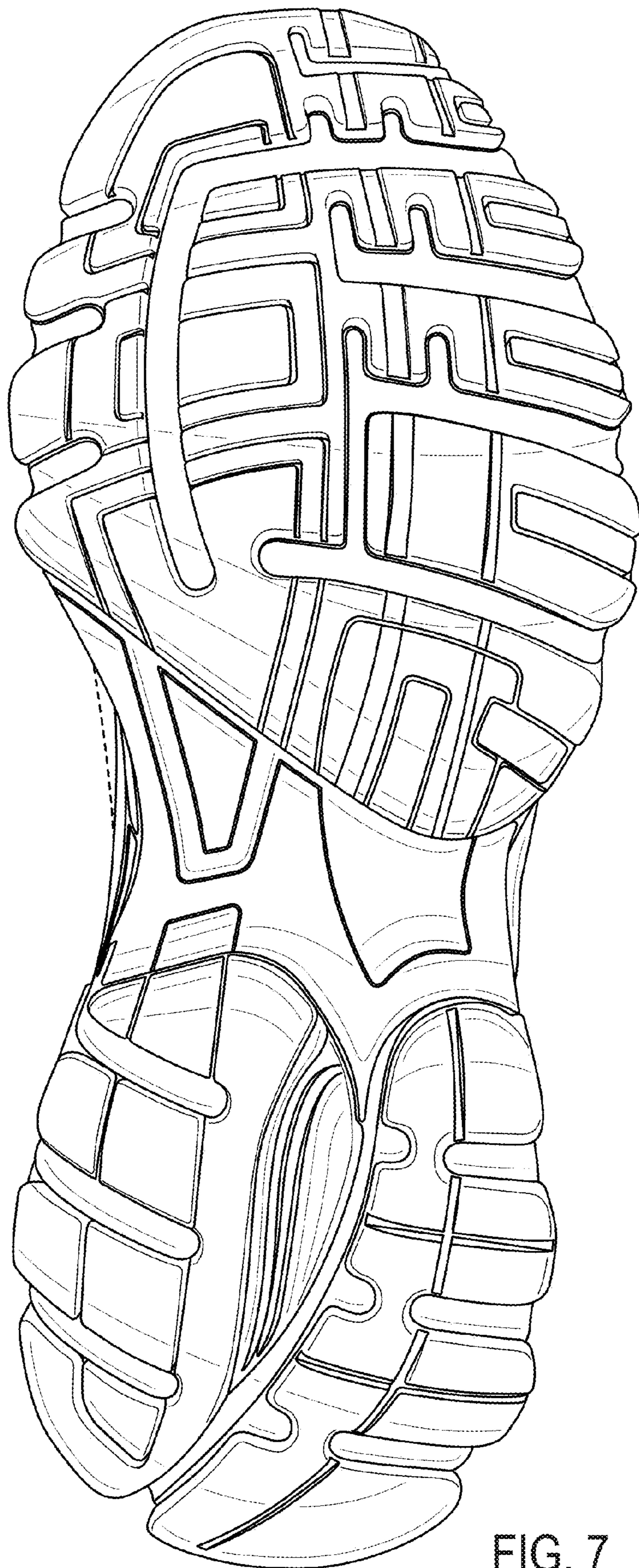


FIG. 7