



US00D897650S

(12) **United States Design Patent** (10) **Patent No.:** **US D897,650 S**
Ciccone (45) **Date of Patent:** **** Oct. 6, 2020**

- (54) **FOOTWEAR SOLE**
- (71) Applicant: **Saucony, Inc.**, Waltham, MA (US)
- (72) Inventor: **Luca B. Ciccone**, Leominster, MA (US)
- (73) Assignee: **Saucony, Inc.**, Waltham, MA (US)
- (**) Term: **15 Years**

- D497,706 S 11/2004 Belley et al.
- D530,894 S 10/2006 Cockrell
- D549,940 S 9/2007 Regosin et al.
- D561,438 S 2/2008 Belley
- D651,787 S 1/2012 Mahoney
- D662,695 S 7/2012 McVicker et al.
- D671,306 S 11/2012 Tzenos

(Continued)

- (21) Appl. No.: **29/676,367**
- (22) Filed: **Jan. 10, 2019**

Related U.S. Application Data

- (62) Division of application No. 29/601,150, filed on Apr. 19, 2017, now Pat. No. Des. 841,963.
- (51) **LOC (12) Cl.** **02-04**
- (52) **U.S. Cl.**
USPC **D2/957**; D2/951; D2/960
- (58) **Field of Classification Search**
USPC D2/902, 906, 908, 916, 918, 925,
D2/946-962, 977; 36/3 B, 22 R, 24.5,
36/25 R, 28, 32 R, 34 R, 59 C, 67 A, 103
CPC A43B 13/00; A43B 13/02; A43B 13/023;
A43B 13/026; A43B 13/04; A43B 13/08;
A43B 13/10; A43B 13/12; A43B 13/14;
A43B 13/141; A43B 13/143; A43B
13/16; A43B 13/18; A43B 13/181; A43B
13/187; A43B 13/189; A43B 13/20; A43B
13/22; A43B 13/223; A43B 13/24; A43B
13/28; A43B 13/30; A43B 13/32; A43B
13/34; A43B 13/36
See application file for complete search history.

(56) **References Cited**

U.S. PATENT DOCUMENTS

- 4,897,937 A 2/1990 Misevich et al.
- D390,348 S 2/1998 Meyer et al.
- D405,247 S 2/1999 Bouchoms
- D414,317 S 9/1999 Lubart
- D433,792 S 11/2000 Cockrell
- D458,441 S 6/2002 Gillespie

OTHER PUBLICATIONS

Downloaded Mar. 14, 2017 from <https://www.google.com/url?sa=i&rct=j&q=&esrc=s&source=images&cd=&cad=rja&uact=8&ved=0ahUKEwj3P2u7dbSAhVM64MKHcJ9CKwQjRwlBw&url=http%3A%2F%2Fminecraftpecheats.com%2F2015%2F05%2F19%2Fpixel-art-tuesday-minecraft-pocket-edition-6%2F&bvm=bv.149397726,d.amc&psig=AFQjCNHouWxoHdbYJoxfbH1wqv8oWRU22g&ust=1489610339300736>.

(Continued)

Primary Examiner — T Chase Nelson

(74) *Attorney, Agent, or Firm* — Warner Norcross + Judd LLP

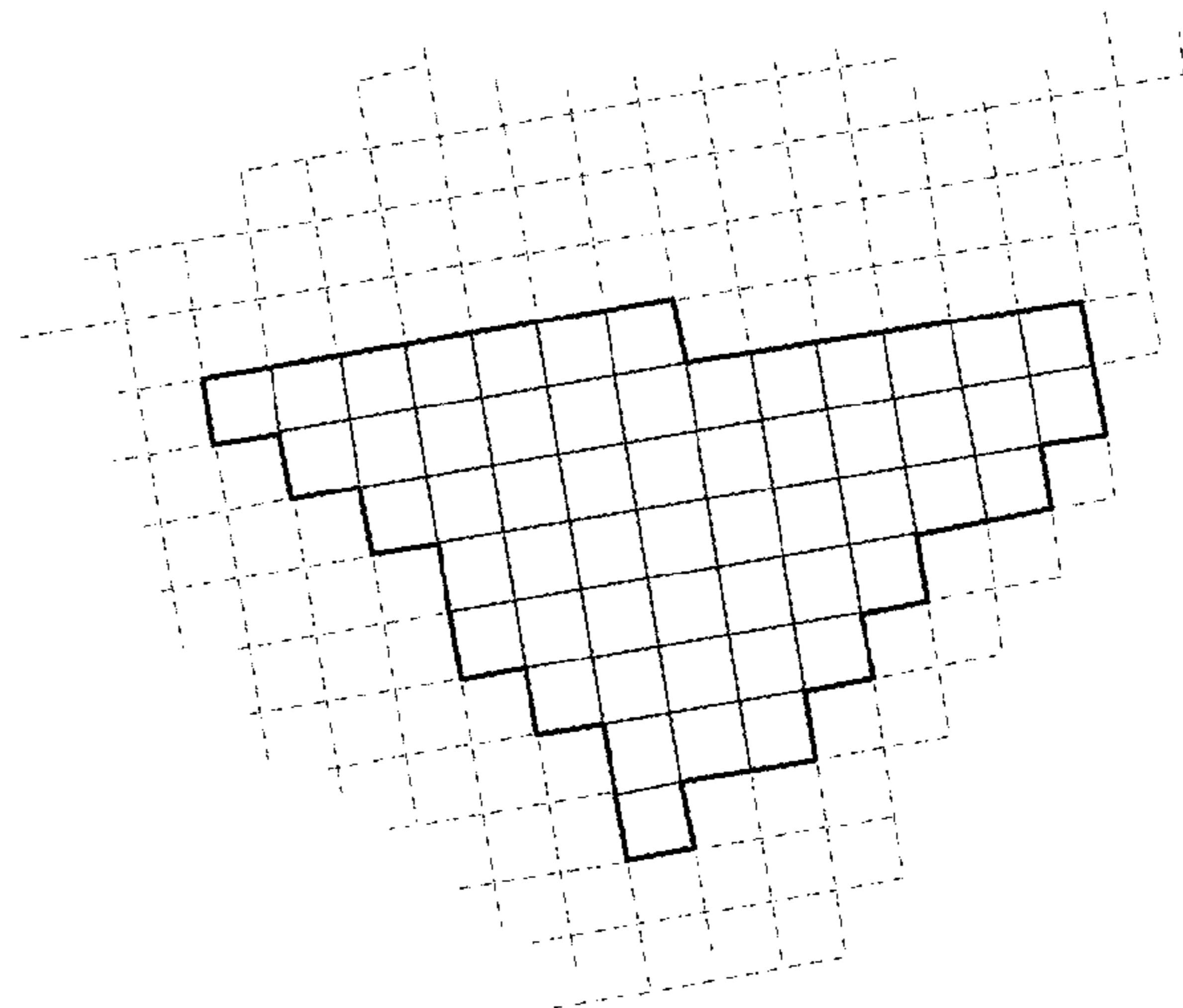
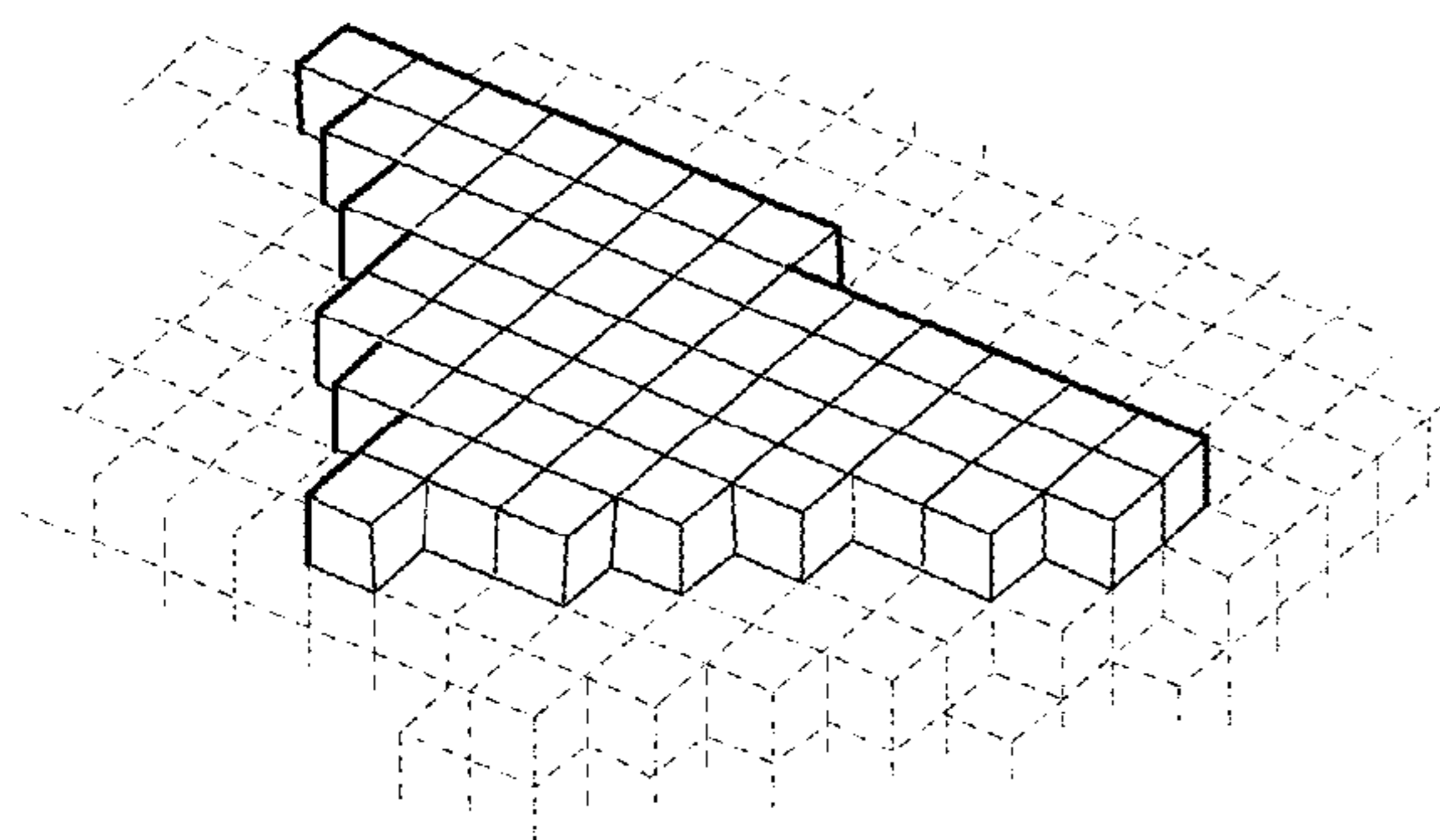
(57) **CLAIM**

The ornamental design for the footwear sole, as shown and described.

DESCRIPTION

FIG. 1 is a bottom view of the footwear sole embodying the new design;
FIG. 2 is an enlarged, partial perspective view thereof;
FIG. 3 is a bottom view thereof;
FIG. 4 is a front view thereof; and,
FIG. 5 is a side view thereof.
FIGS. 1-5 show portions of the footwear sole in broken lines, which portions are not included in the claim, or which depict environment that is not included in the claim. The dot-dash lines in a circle in Fig.1 show the approximate area of enlargement of the enlarged, partial views of FIGS. 2-5. The dot-dash lines also form no part of the claimed design.

1 Claim, 2 Drawing Sheets



(56)

References Cited

U.S. PATENT DOCUMENTS

D671,718 S 12/2012 McVicker et al.
 D674,585 S 1/2013 Kubis et al.
 D689,275 S 9/2013 Mahoney
 D695,502 S 12/2013 Miner
 D696,005 S 12/2013 Kubis et al.
 D712,644 S 9/2014 Joseph
 D713,628 S 9/2014 Greenspan
 D794,289 S 8/2017 Kanata
 D797,417 S 9/2017 Lee et al.
 D797,418 S 9/2017 Lee et al.
 D797,423 S 9/2017 Bischoff et al.
 D802,899 S 11/2017 Bischoff et al.
 D812,882 S 3/2018 Jenkins et al.
 D822,966 S * 7/2018 Thompson D2/953
 D831,315 S * 10/2018 Mahoney D2/947
 D831,317 S * 10/2018 Jenkins D2/947
 D831,939 S * 10/2018 Goldberg D2/953
 D833,131 S * 11/2018 Enayah D2/959
 D836,892 S * 1/2019 Jenkins D2/947
 D838,091 S * 1/2019 Kroshinskaya D2/952
 D841,949 S * 3/2019 Ciccone D2/947
 D841,963 S * 3/2019 Ciccone D2/957
 D848,718 S * 5/2019 Mahoney D2/957
 D848,719 S * 5/2019 Ciccone D2/957
 D848,722 S * 5/2019 Ruark D2/960
 D851,376 S * 6/2019 de Montgolfier D2/960
 D857,358 S * 8/2019 Greenhalgh D2/947
 D858,060 S * 9/2019 McMillan D2/953
 D859,801 S * 9/2019 Jenkins D2/959
 D862,857 S * 10/2019 Boudreau D2/957
 D871,736 S * 1/2020 Cooper D2/960
 D877,472 S * 3/2020 Atwell D2/955

D882,230 S * 4/2020 Stauffer D2/957
 D882,913 S * 5/2020 Mahoney D2/947
 2006/0277793 A1 12/2006 Hardy et al.
 2009/0145004 A1 6/2009 Jones
 2014/0154452 A1 6/2014 Kim
 2017/0042283 A1 2/2017 Nakaya et al.

OTHER PUBLICATIONS

Downloaded Mar. 14, 2017 from https://www.google.com/url?sa=i&rct=j&q=&esrc=s&source=images&cd=&cad=rja&uact=8&ved=0ahUKEwiHqr3M7dbSAhUL7IMKHWilDy8QjRwIBw&url=https%3A%2F%2Fwww.reddit.com%2F%2FMinecraft%2Fcomments%2F2xhrdl%2Fmade_one_of_my_favorite_pairs_of_shoes_on%2F&bvm=bv.149397726,d.amc&psig=AFQjCNHouWxoHdbYJoxfbH1wqv8oWRU22g&ust=1489610339300736.
 Downloaded Mar. 14, 2017 from <https://www.google.com/url?sa=i&rct=j&q=&esrc=s&source=images&cd=&cad=rja&uact=8&ved=0ahUKEwix67zn7dbSAhWQ2YMKHU7yB5sQjRwIBw&url=https%3A%2F%2Fwww.pinterest.com%2Fexplore%2Fminecraft-shoes%2F&bvm=bv.149397726,d.amc&psig=AFQjCNHouWxoHdbYJoxfbH1wqv8oWRU22g&ust=1489610339300736>.
 Voxel—Wikipedia downloaded on Mar. 23, 2017 from <https://en.wikipedia.org/wiki/Voxel>.
 MinecraftWiki downloaded on Mar. 23, 2017 from https://minecraft.gamepedia.com/Minecraft_Wiki.
 Official sit_Minecraft_Mar. 23, 2017 downloaded on Mar. 23, 2017 from <https://minecraft.net/en-us/>.

* cited by examiner

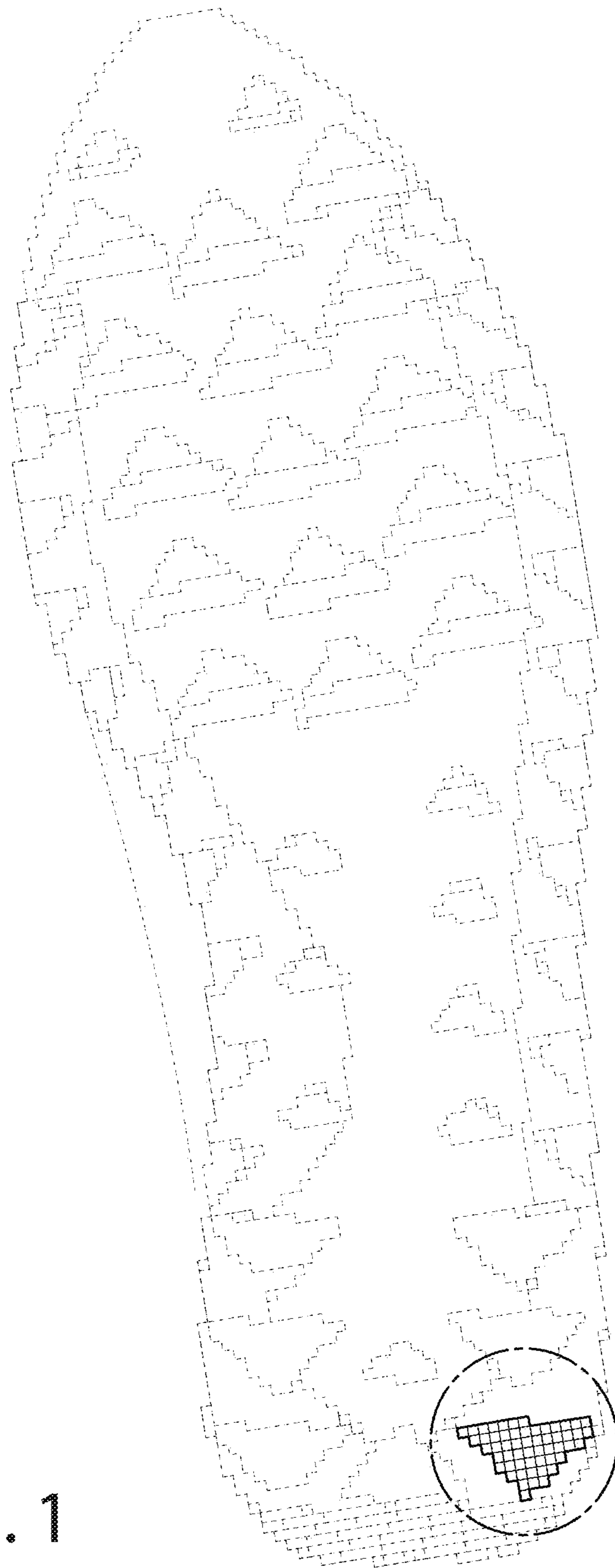


Fig. 1

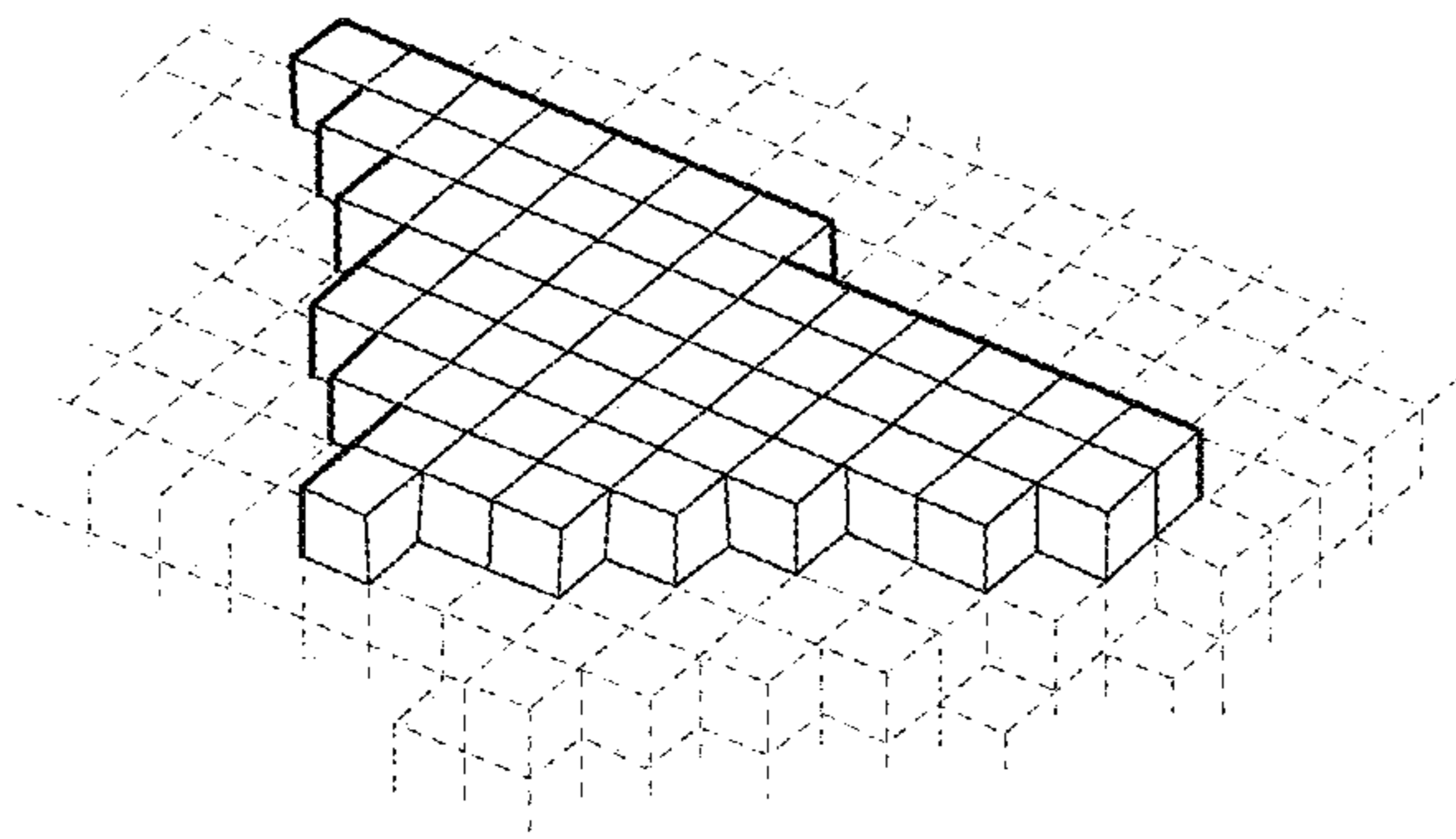


Fig. 2

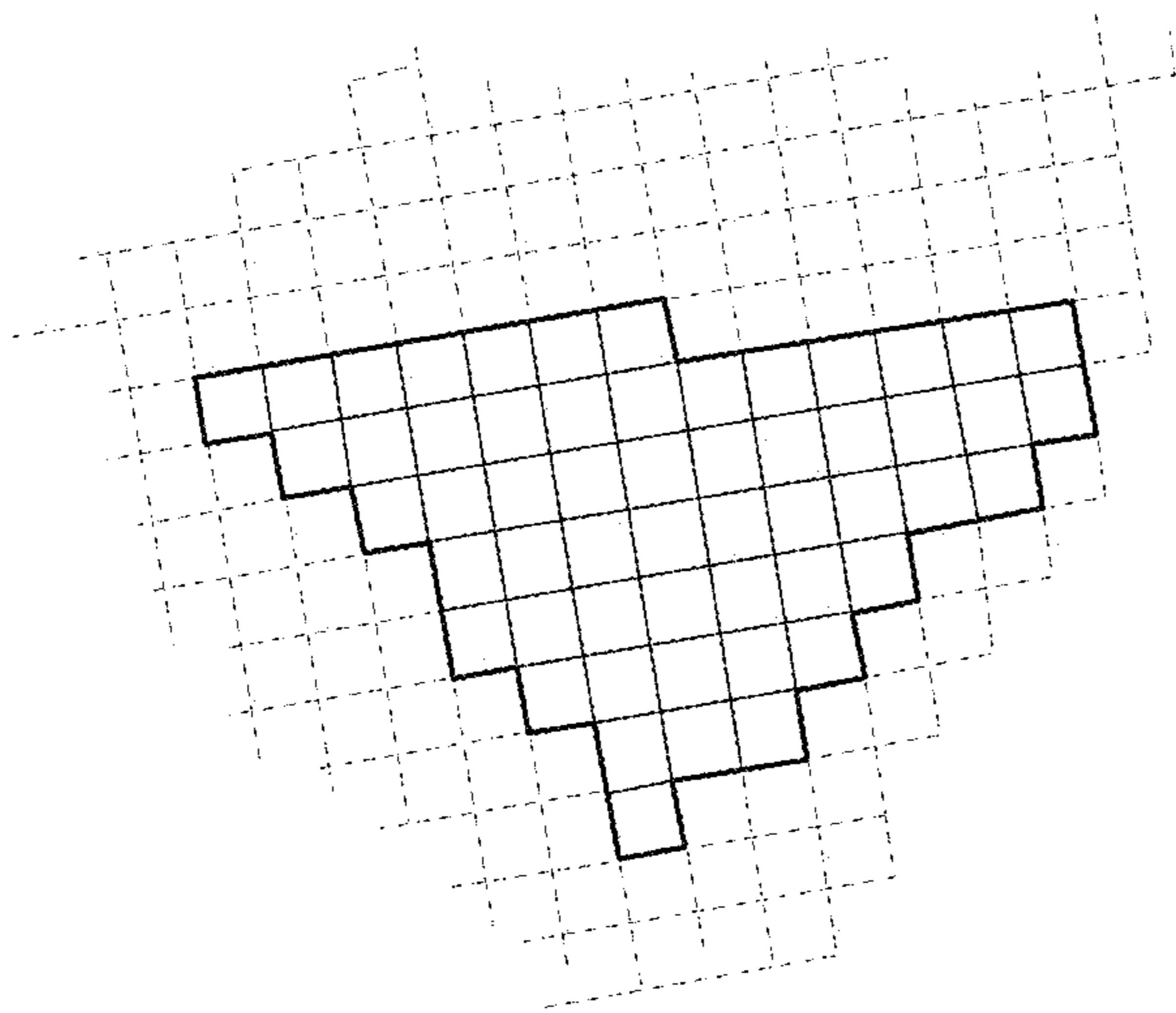


Fig. 3

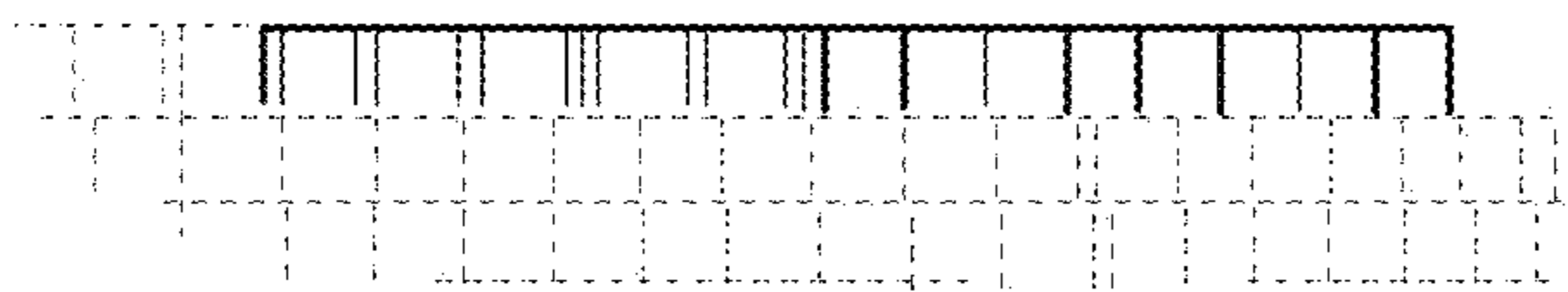


Fig. 4

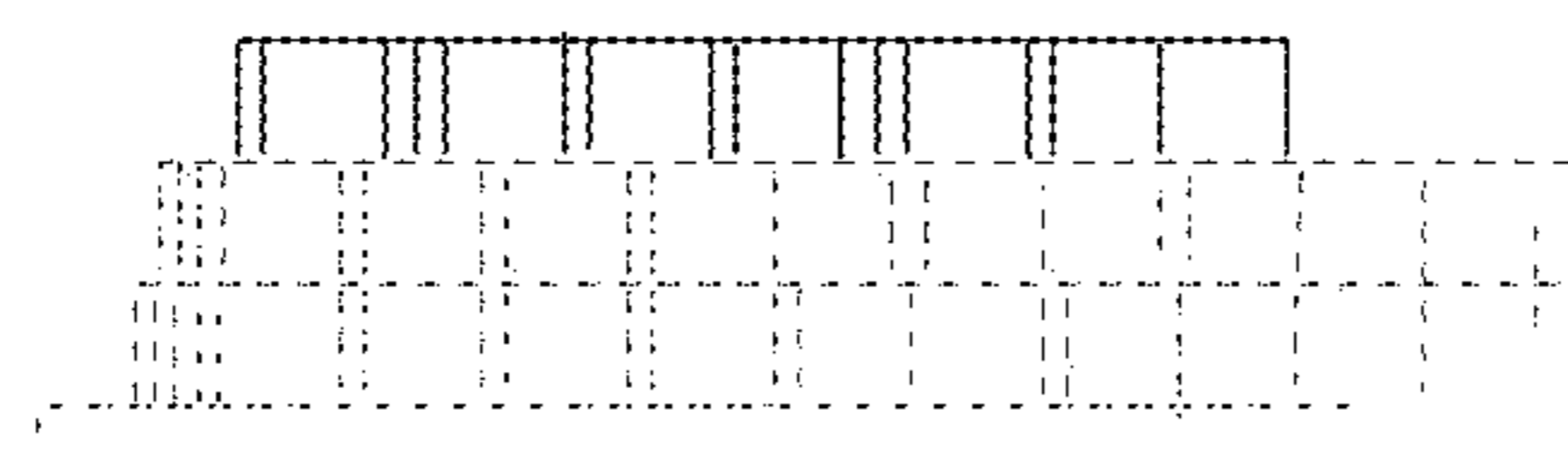


Fig. 5