



US00D897640S

(12) **United States Design Patent** (10) **Patent No.:** **US D897,640 S**  
**Lacy** (45) **Date of Patent:** **\*\* Oct. 6, 2020**

- (54) **HAT BRIM**
- (71) Applicant: **Sunday Afternoons, Inc.**, Talent, OR (US)
- (72) Inventor: **Acacia Lacy**, Ashland, OR (US)
- (73) Assignee: **SUNDAY AFTERNOONS, INC.**, Talent, OR (US)
- (\*\*) Term: **15 Years**
- (21) Appl. No.: **29/681,412**
- (22) Filed: **Feb. 25, 2019**
- (51) **LOC (12) Cl.** ..... **02-03**
- (52) **U.S. Cl.**  
USPC ..... **D2/893**
- (58) **Field of Classification Search**  
USPC ..... D2/865, 866, 872, 873, 874, 876, 879, D2/880, 882, 883, 884, 885, 886, 887, D2/891, 893, 895; D29/109  
CPC .. A42B 1/00; A42B 1/008; A42B 1/02; A42B 1/06; A42B 1/061; A42B 1/062; A42B 1/066; A42B 1/067; A42B 1/20; A42B 1/201; A42B 1/205; A42B 1/22  
See application file for complete search history.

- (56) **References Cited**  
U.S. PATENT DOCUMENTS  
D83,713 S \* 3/1931 Volsk ..... D2/876  
D96,519 S \* 8/1935 Strawgate ..... D2/886  
D135,497 S \* 4/1943 Reinsperg ..... D2/879  
D137,087 S \* 1/1944 Hodge ..... D2/887  
D137,429 S \* 3/1944 Scott et al. .... D2/884  
2,701,366 A \* 2/1955 Oberrender ..... A42B 1/061  
2/200.3

- D186,839 S \* 12/1959 Lipschutz ..... D2/882
- D457,712 S \* 5/2002 Glaser ..... D2/869
- D469,242 S \* 1/2003 Park ..... D2/882
- D469,243 S \* 1/2003 Park ..... D2/882
- D492,094 S \* 6/2004 Park ..... D2/893
- D596,381 S 7/2009 Pharis et al.
- D617,082 S 6/2010 Snell
- D696,462 S \* 12/2013 Saavedra ..... D29/105
- D714,031 S 9/2014 Javits, Jr.
- D720,892 S \* 1/2015 Bryan ..... D29/122
- D720,893 S 1/2015 Bryan et al.
- D721,224 S 1/2015 Arenson et al.
- D779,168 S \* 2/2017 Arenson ..... D2/866
- 9,655,396 B1 \* 5/2017 Lacy ..... A42B 1/206
- D841,944 S \* 3/2019 Lacy ..... D2/879

\* cited by examiner

*Primary Examiner* — Karen S Acker  
*Assistant Examiner* — Jasmine Mlinarcik  
(74) *Attorney, Agent, or Firm* — McCoy Russell LLP

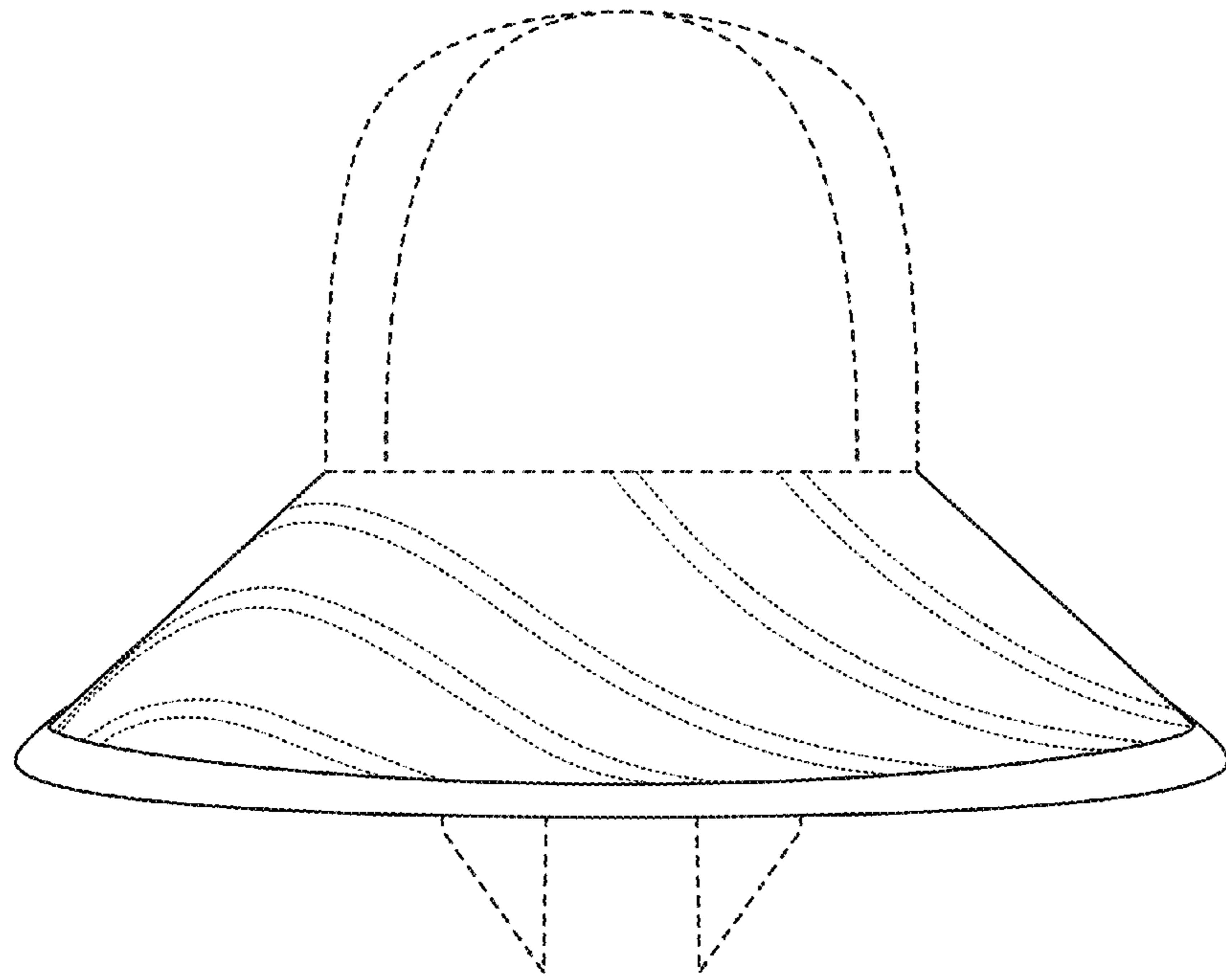
(57) **CLAIM**

The ornamental design for a hat brim, as shown and described.

**DESCRIPTION**

FIG. 1 is a front view of a hat brim according to the present invention.  
FIG. 2 is a back view of the hat brim of FIG. 1.  
FIG. 3 is a right side view of the hat brim of FIG. 1.  
FIG. 4 is a left side view of the hat brim of FIG. 1.  
FIG. 5 is a top view of the hat brim of FIG. 1; and,  
FIG. 6 is a bottom side view of the hat brim of FIG. 1.  
The dotted lines on the brim depict claimed stitching. The evenly spaced broken lines and areas illustrating the hat crown and ribbon features depict environmental subject matter that forms no part of the claimed design.

**1 Claim, 6 Drawing Sheets**



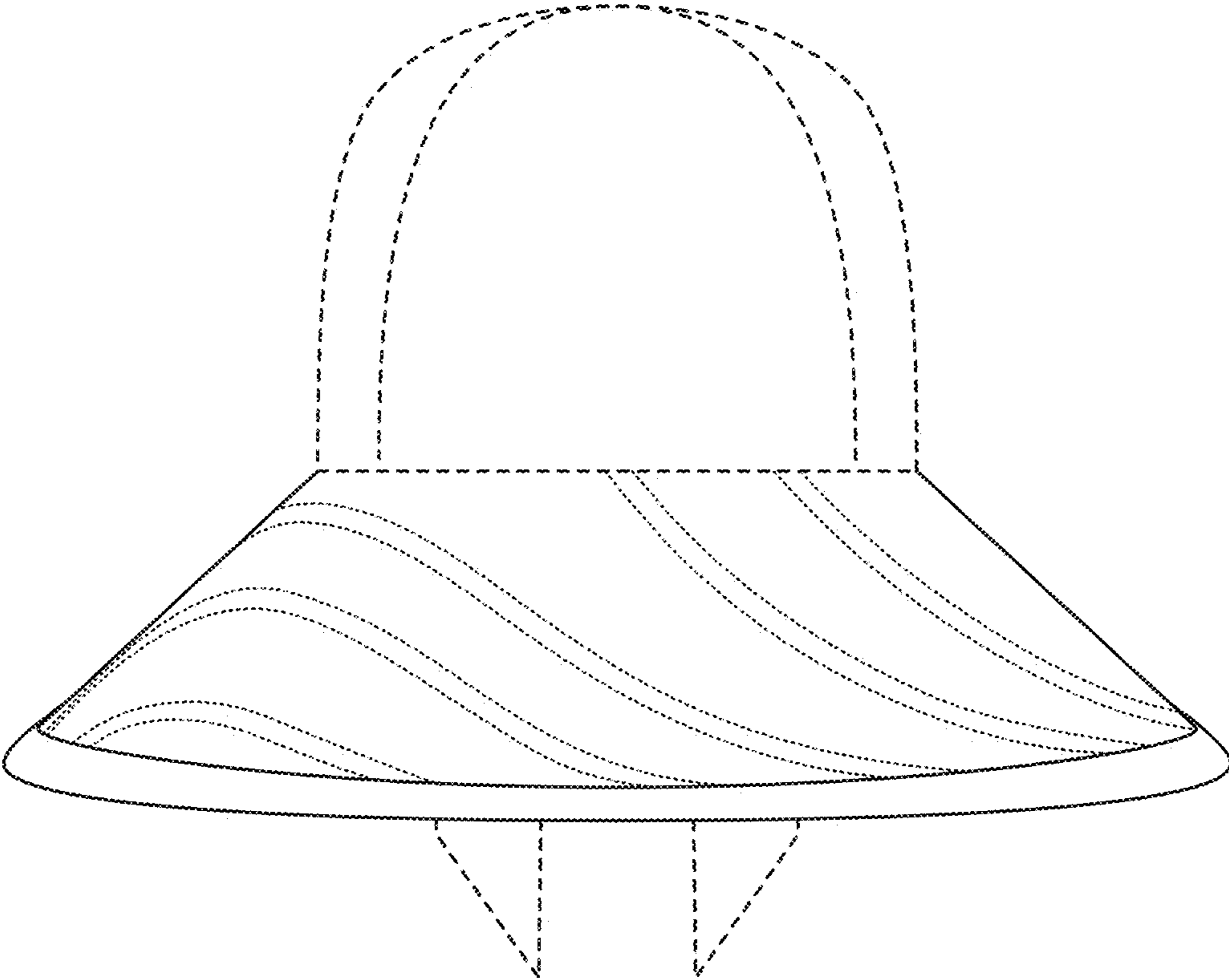


FIG. 1

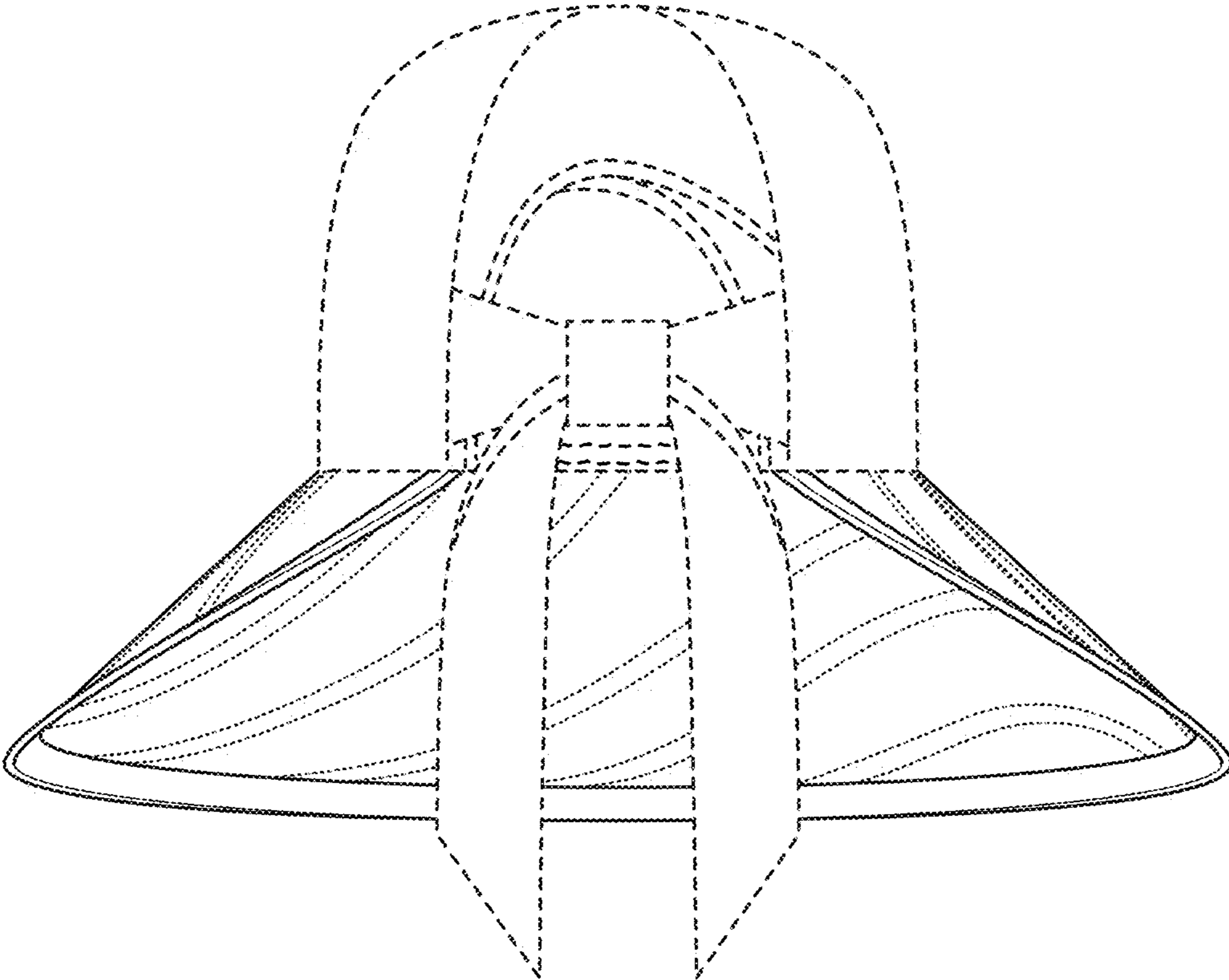


FIG. 2

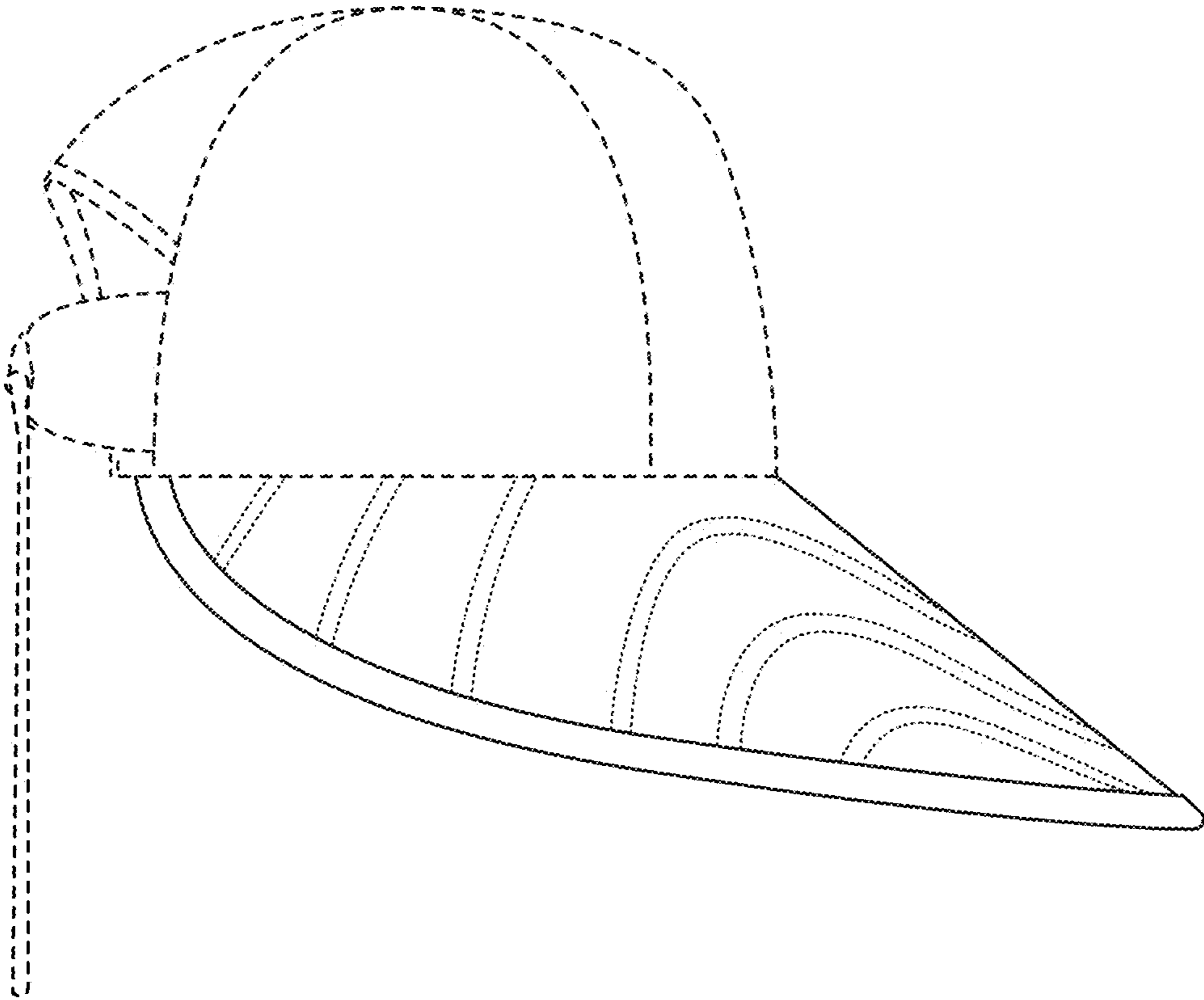


FIG. 3

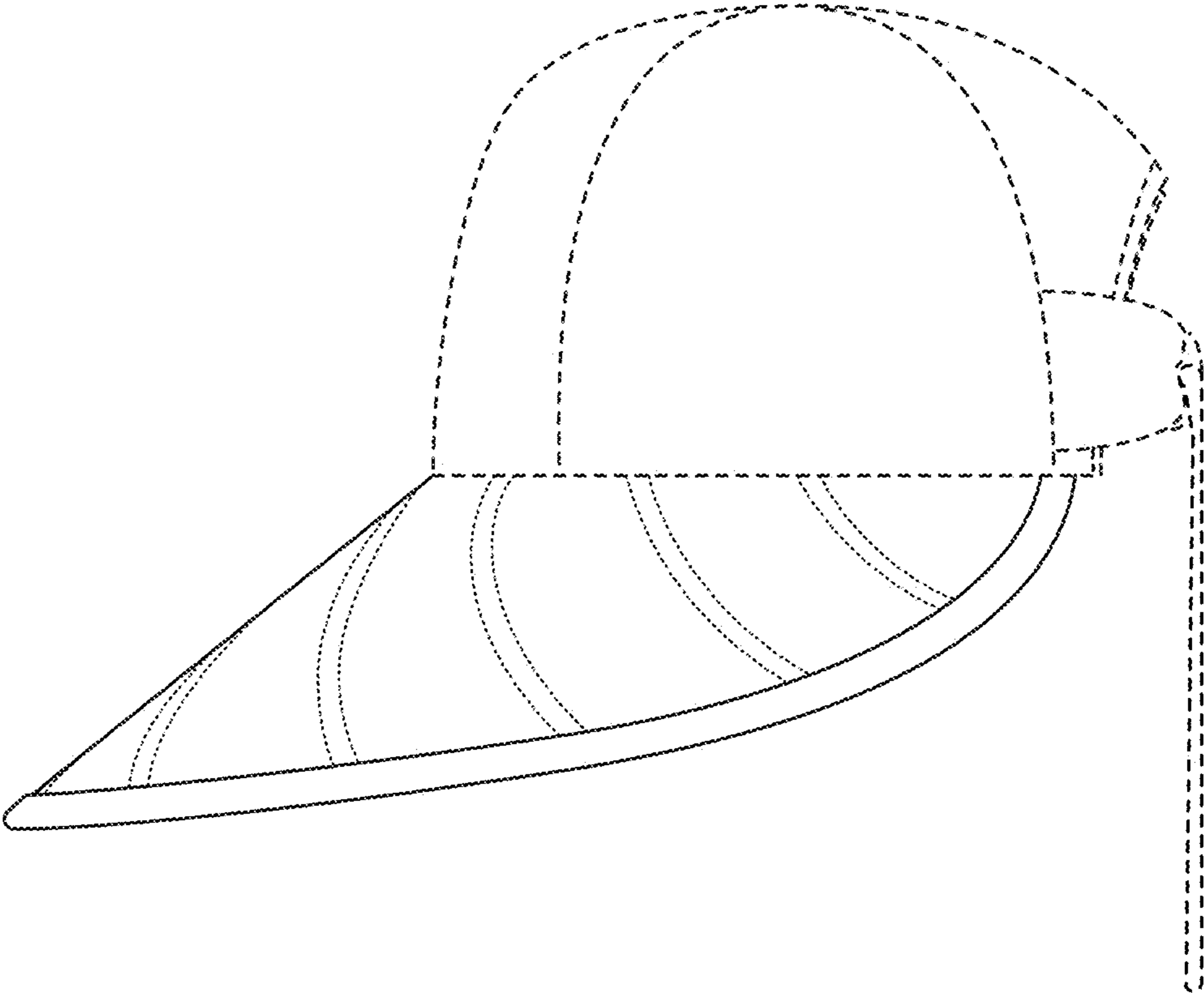


FIG. 4

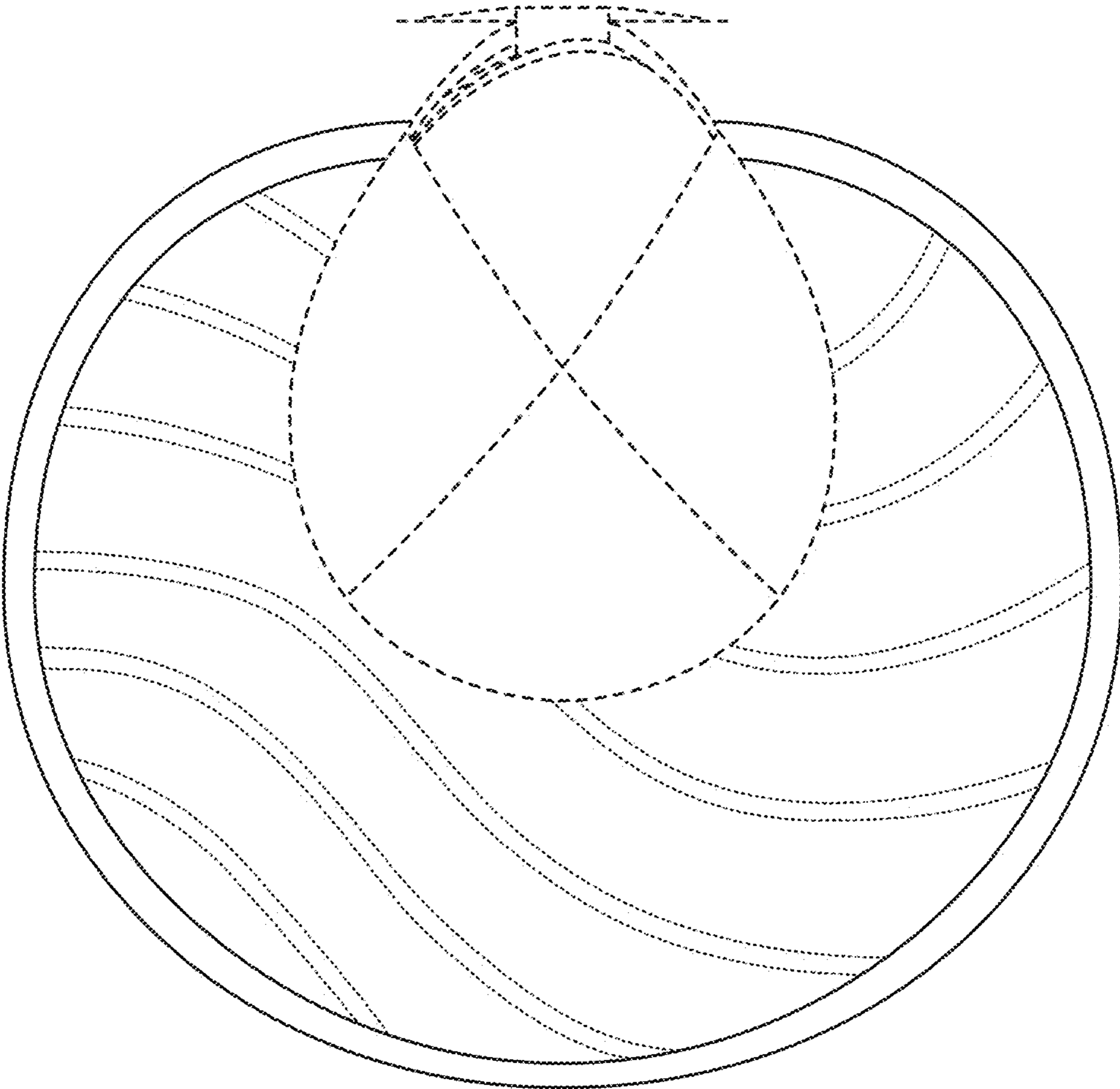


FIG. 5

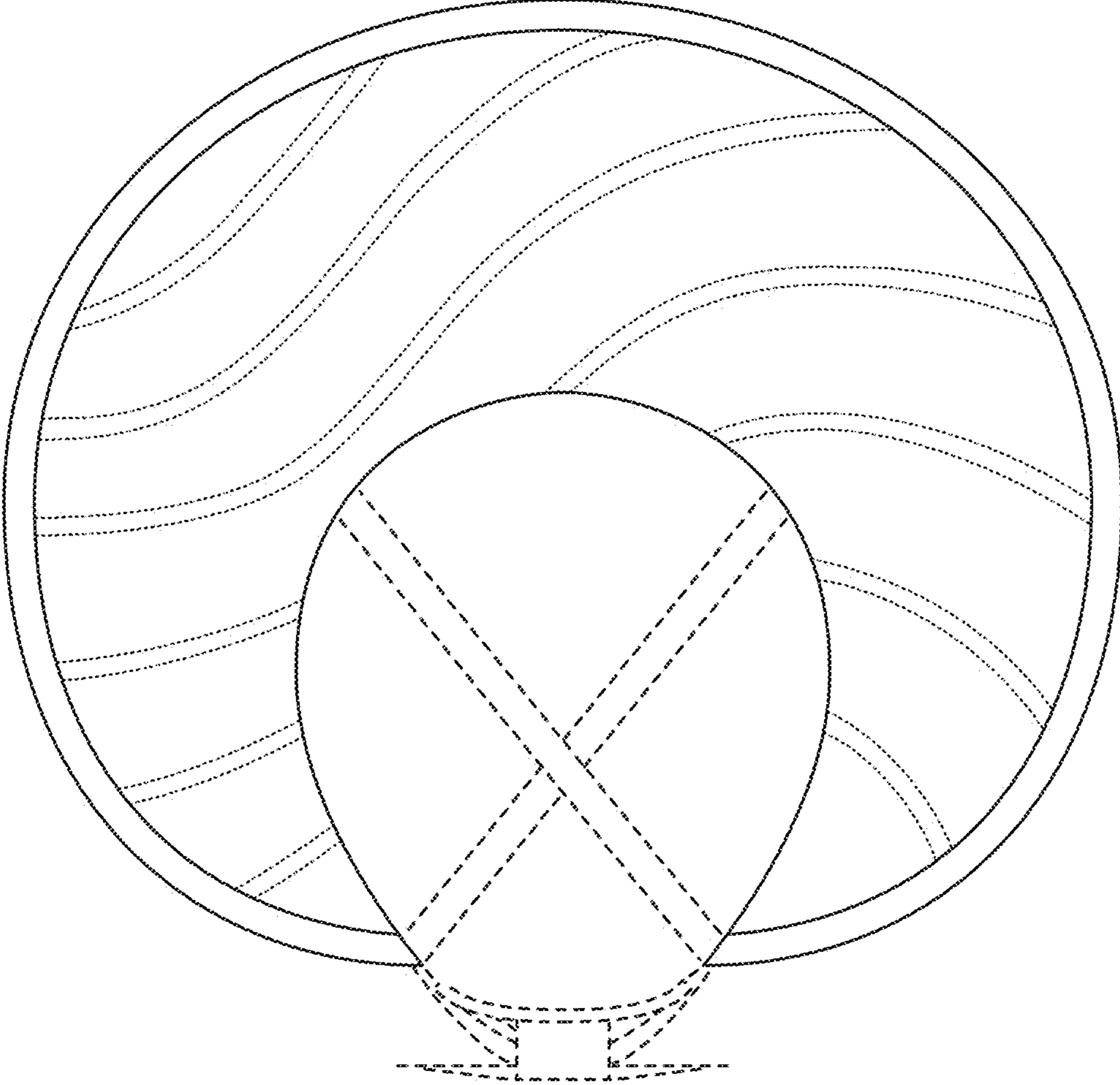


FIG. 6