



US00D897639S

(12) **United States Design Patent** (10) **Patent No.:** **US D897,639 S**  
**Anzai et al.** (45) **Date of Patent:** **\*\* Oct. 6, 2020**

(54) **ACCESSORY FOR HEAD-MOUNTED DISPLAY**

(71) Applicant: **SONY INTERACTIVE ENTERTAINMENT INC.**, Tokyo (JP)

(72) Inventors: **Hiroyuki Anzai**, Tokyo (JP); **Takayuki Tateno**, Tokyo (JP)

(73) Assignee: **SONY INTERACTIVE ENTERTAINMENT INC.**, Tokyo (JP)

(\*\*) Term: **15 Years**

(21) Appl. No.: **29/660,755**

(22) Filed: **Aug. 22, 2018**

(30) **Foreign Application Priority Data**

Feb. 23, 2018 (JP) ..... 2018-003789

(51) **LOC (12) Cl.** ..... **02-03**

(52) **U.S. Cl.**  
USPC ..... **D2/891; D14/372**

(58) **Field of Classification Search**

USPC ..... D2/865, 866, 872, 875, 876, 877, 878, D2/879, 880, 881, 882, 883, 884, 885, D2/886, 887, 888, 891, 893, 895; D6/315, 323, 325, 328; D8/38, 325; D14/126, 129, 299, 371, 372, 432, 496; D11/200, 201, 202, 204, 207, 212, 214, D11/215, 222; D16/330; D29/102, 122; D28/37

CPC .. A42B 1/00; A42B 1/004; A42B 1/24; A42B 3/04; A44B 9/00; A44B 9/02; A44B 9/04; A44B 9/06; A45F 5/06; A45F 5/02; A45F 5/021; A45F 2005/023; A45F 2005/025; G02B 27/017; Y10S 224/93

See application file for complete search history.

(56) **References Cited**

**U.S. PATENT DOCUMENTS**

D272,375 S \* 1/1984 Fuller, Sr. .... D21/694  
D513,835 S \* 1/2006 Robinson ..... D2/892

(Continued)

**OTHER PUBLICATIONS**

OEM Sony Playstation VR PS4 Headset CUG-ZVR1 Headband Release Button Housing, [online]; [Internet publication date unknown]; [retrieved from the Internet on Mar. 20, 2020]; URL: see first page. (1 page). (Year: 2020).\*

(Continued)

*Primary Examiner* — Jasmine Mlinarcik

(74) *Attorney, Agent, or Firm* — Nixon & Vanderhye

(57) **CLAIM**

The ornamental design for an accessory for head-mounted display, as shown and described.

**DESCRIPTION**

FIG. 1 is a perspective view of front, top and left side of an accessory for head-mounted display showing our new design;

FIG. 2 is a perspective view of front, bottom and right side thereof;

FIG. 3 is a front view thereof;

FIG. 4 is a rear view thereof;

FIG. 5 is a left side view thereof;

FIG. 6 is a right side view thereof;

FIG. 7 is a top view thereof;

FIG. 8 is a bottom view thereof;

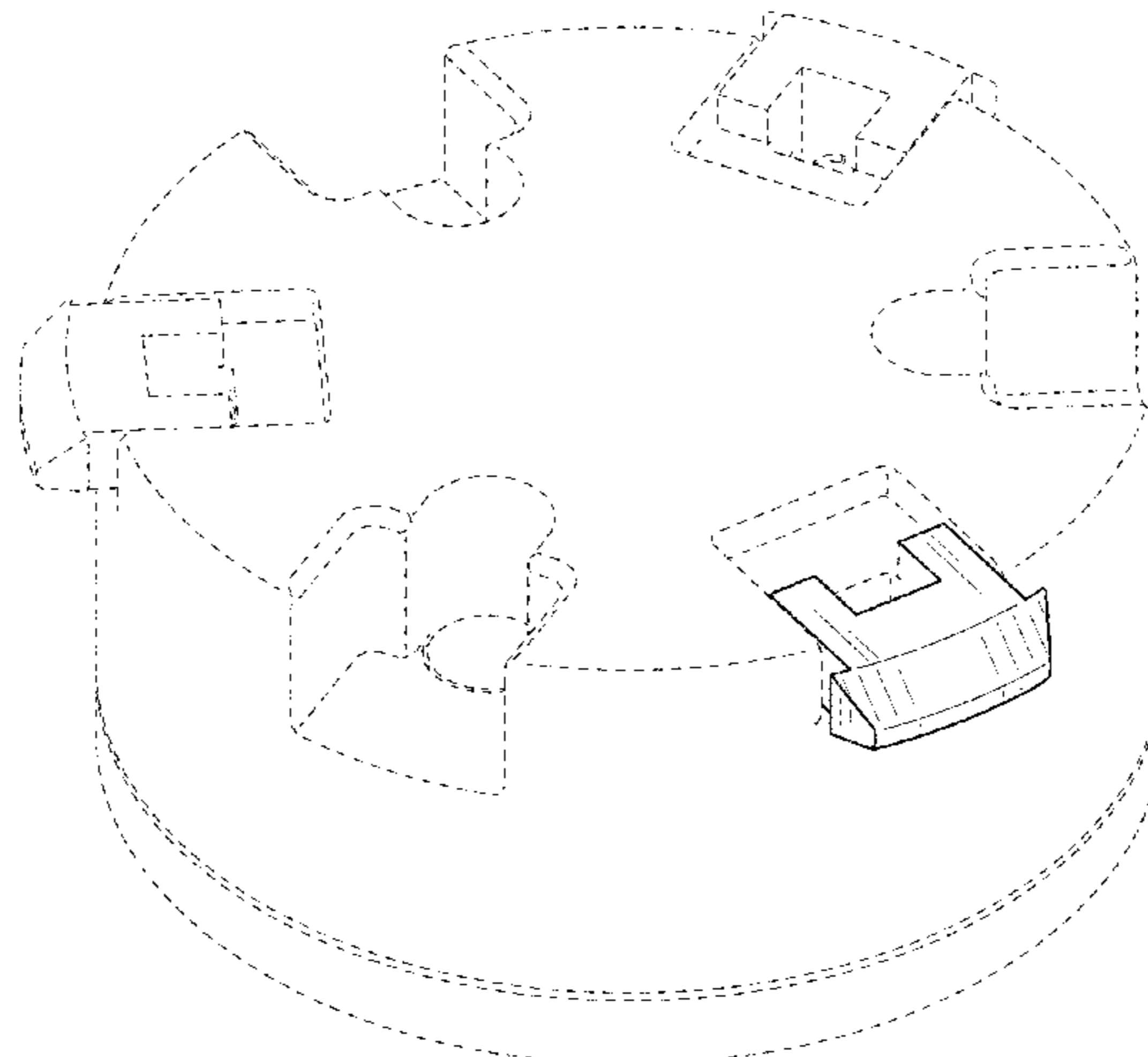
FIG. 9 is a reference view of usage thereof;

FIG. 10 is a reference view with the article removed thereof; and,

FIG. 11 is a reference view showing the partial enlarged portion taken from the area identified as “11” in FIG. 10.

The broken line showing of the headwear article illustrates the environment of the claimed design and forms no part of the claimed design.

**1 Claim, 9 Drawing Sheets**



(56)

**References Cited**

## U.S. PATENT DOCUMENTS

D541,991 S \* 5/2007 Lawrence ..... D29/110  
D543,659 S \* 5/2007 Cheung ..... D28/37  
D561,922 S \* 2/2008 Yan ..... D26/39  
D645,231 S \* 9/2011 Perry ..... D2/891  
D670,034 S \* 10/2012 Kolodziej ..... D29/102  
D729,502 S \* 5/2015 Aldridge ..... D2/895  
D768,343 S \* 10/2016 Vanderstegen-Drake ..... D32/21  
D774,283 S \* 12/2016 Rollins ..... D2/882  
D830,449 S \* 10/2018 Funabashi ..... D16/330  
D838,917 S \* 1/2019 Murakami ..... D29/107  
D870,107 S \* 12/2019 Anzai ..... D14/372  
D870,111 S \* 12/2019 Anzai ..... D14/372  
D875,511 S \* 2/2020 Liu ..... D8/374  
2020/0015535 A1 \* 1/2020 Costenbader ..... A42B 1/241

## OTHER PUBLICATIONS

PlayStation VR Headset, Camera, and Controller Bundle Is Coming, [online]; [published to the Internet on Mar. 17, 2016]; [retrieved from the Internet on Mar. 20, 2020]; URL: <https://sea.ign.com/shuheiyoshida/97380/news/playstation-vr-headset-camera-and-controller-bundle-is-coming>. (5 pages). (Year: 2016).\*

\* cited by examiner

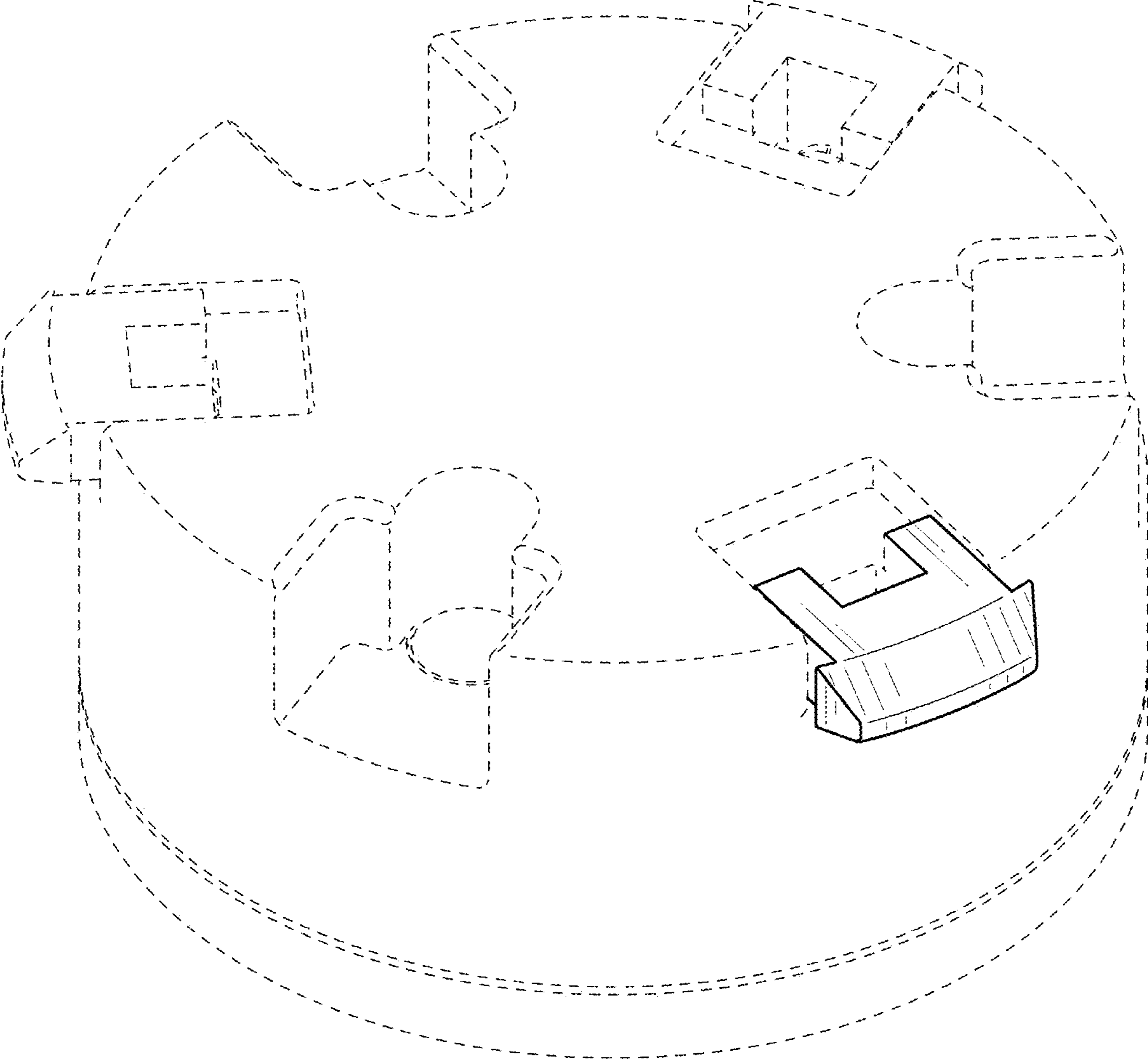


FIG. 1

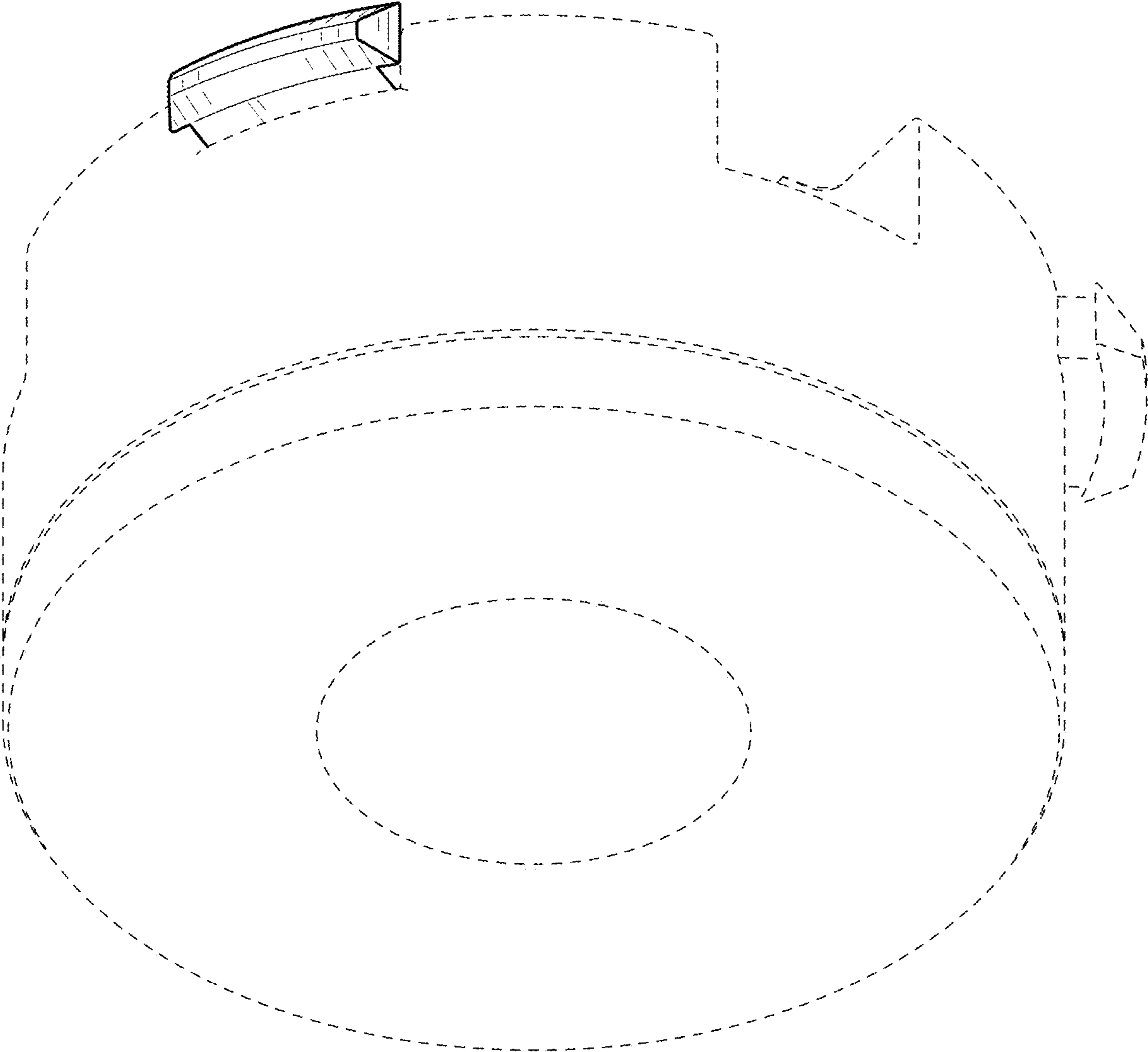


FIG. 2

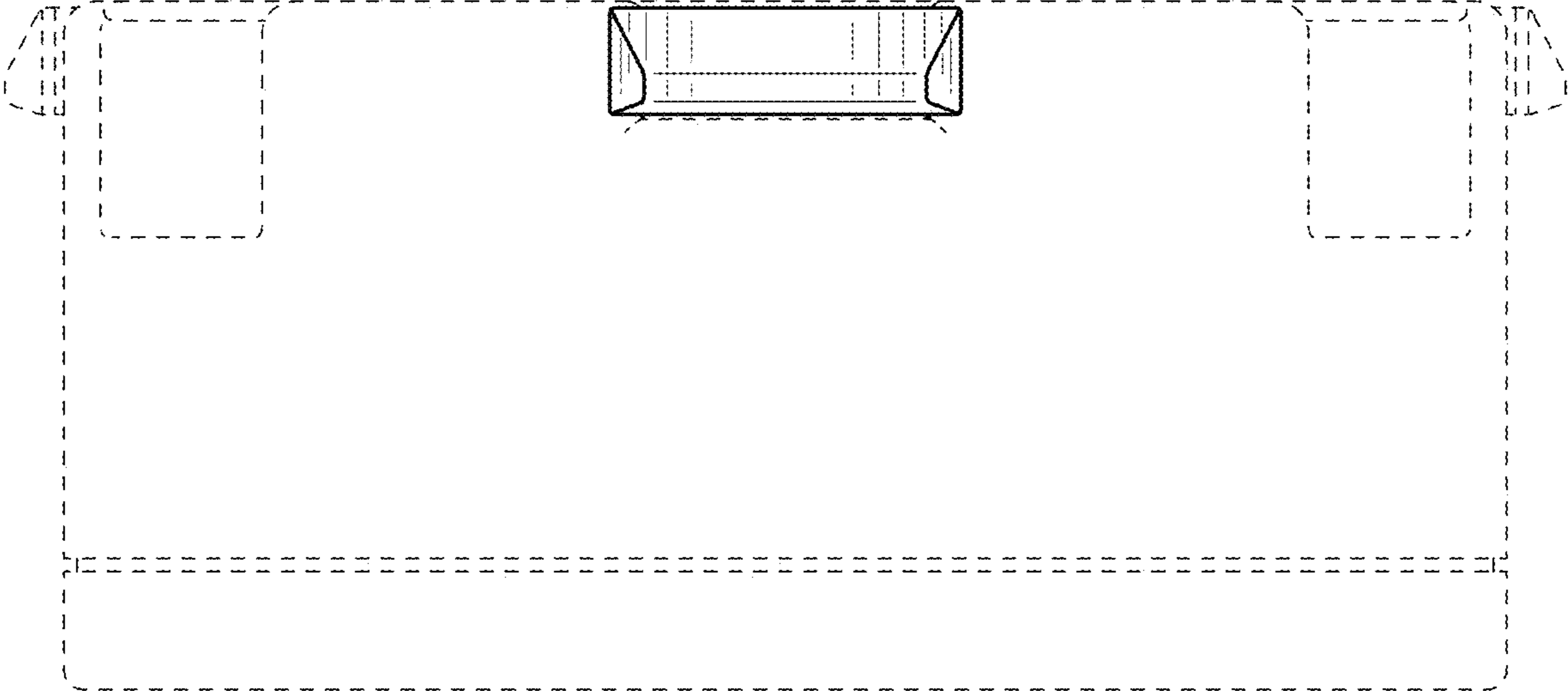


FIG. 3

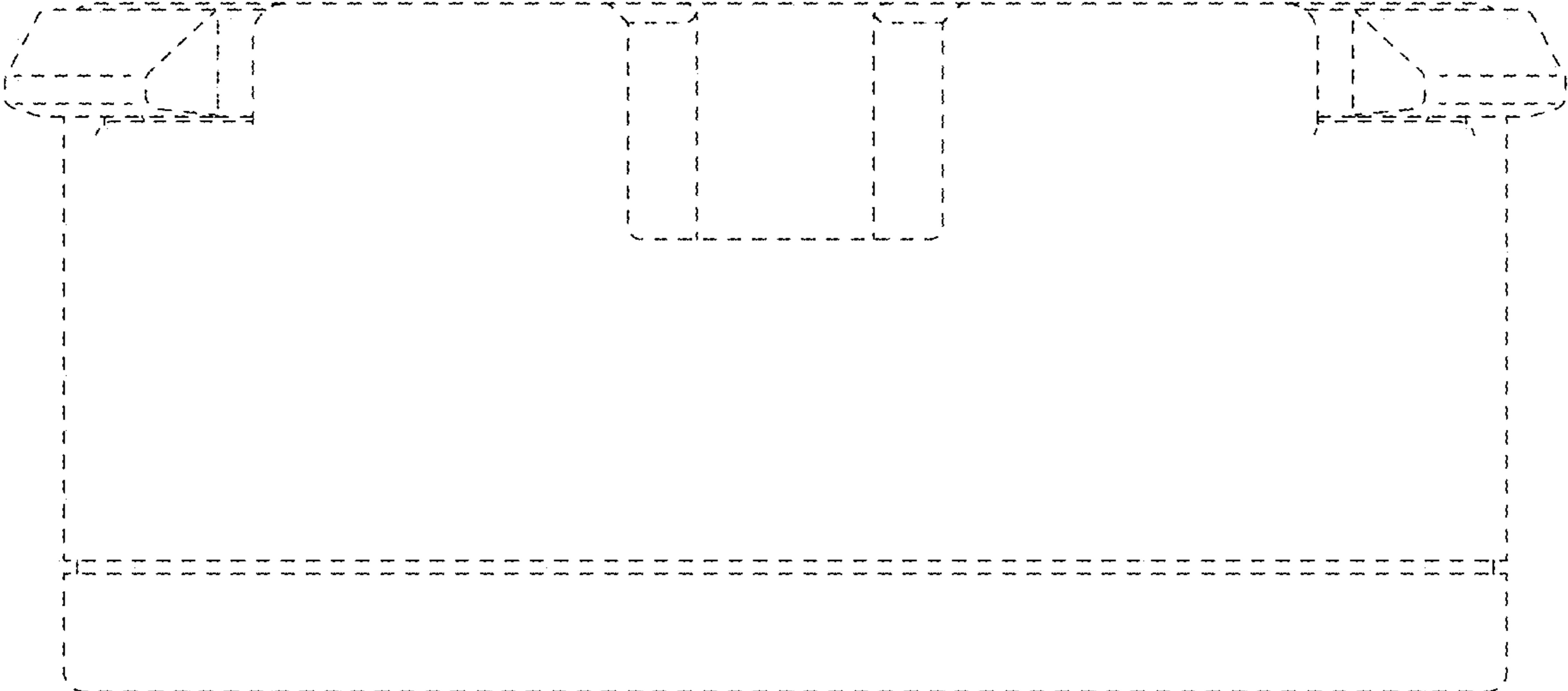


FIG. 4

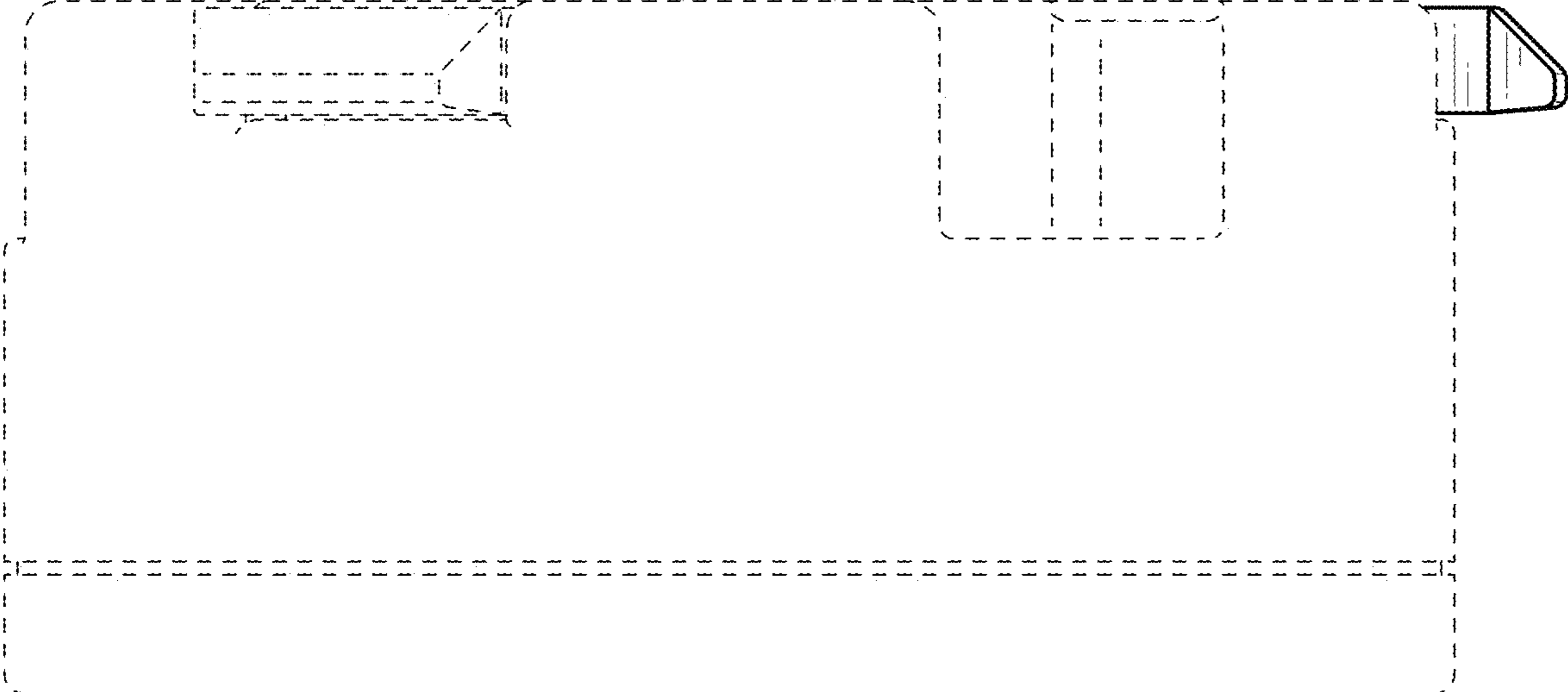


FIG. 5

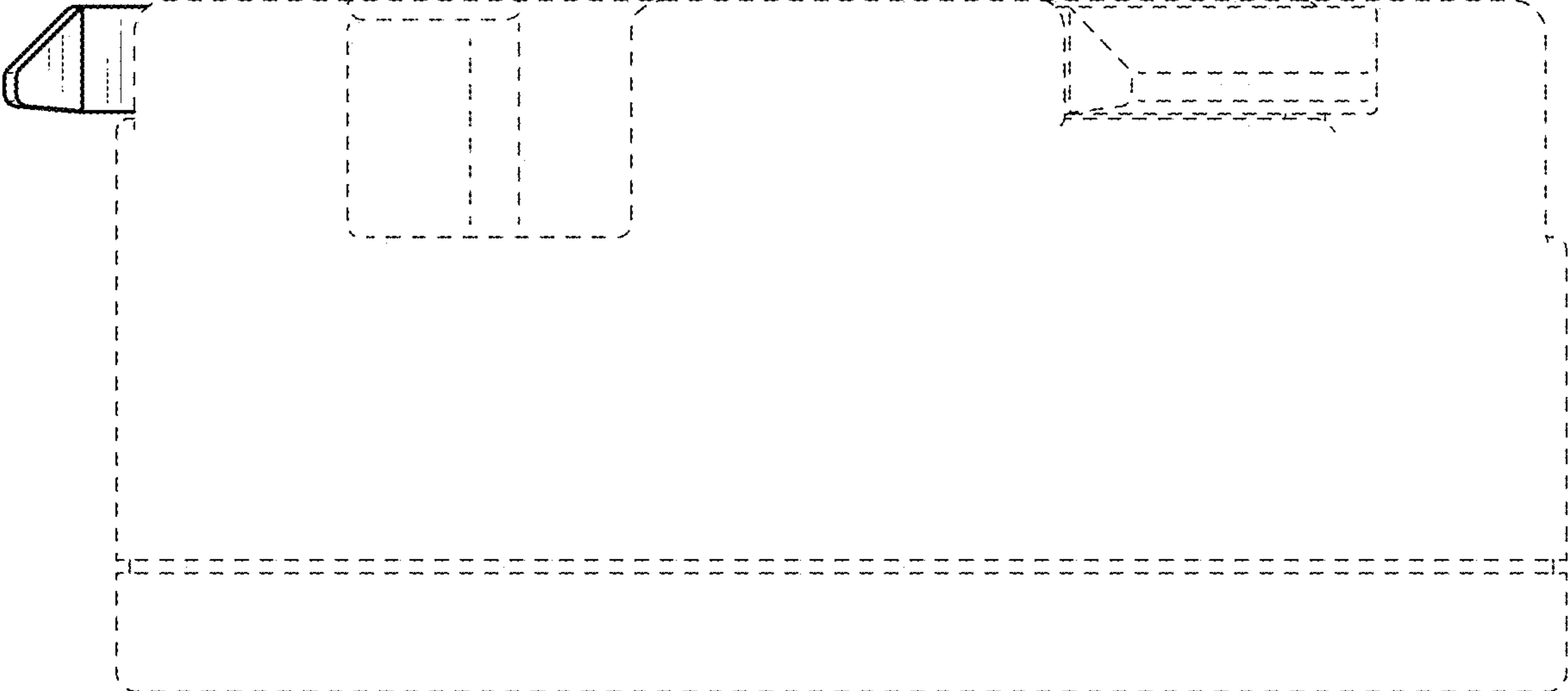
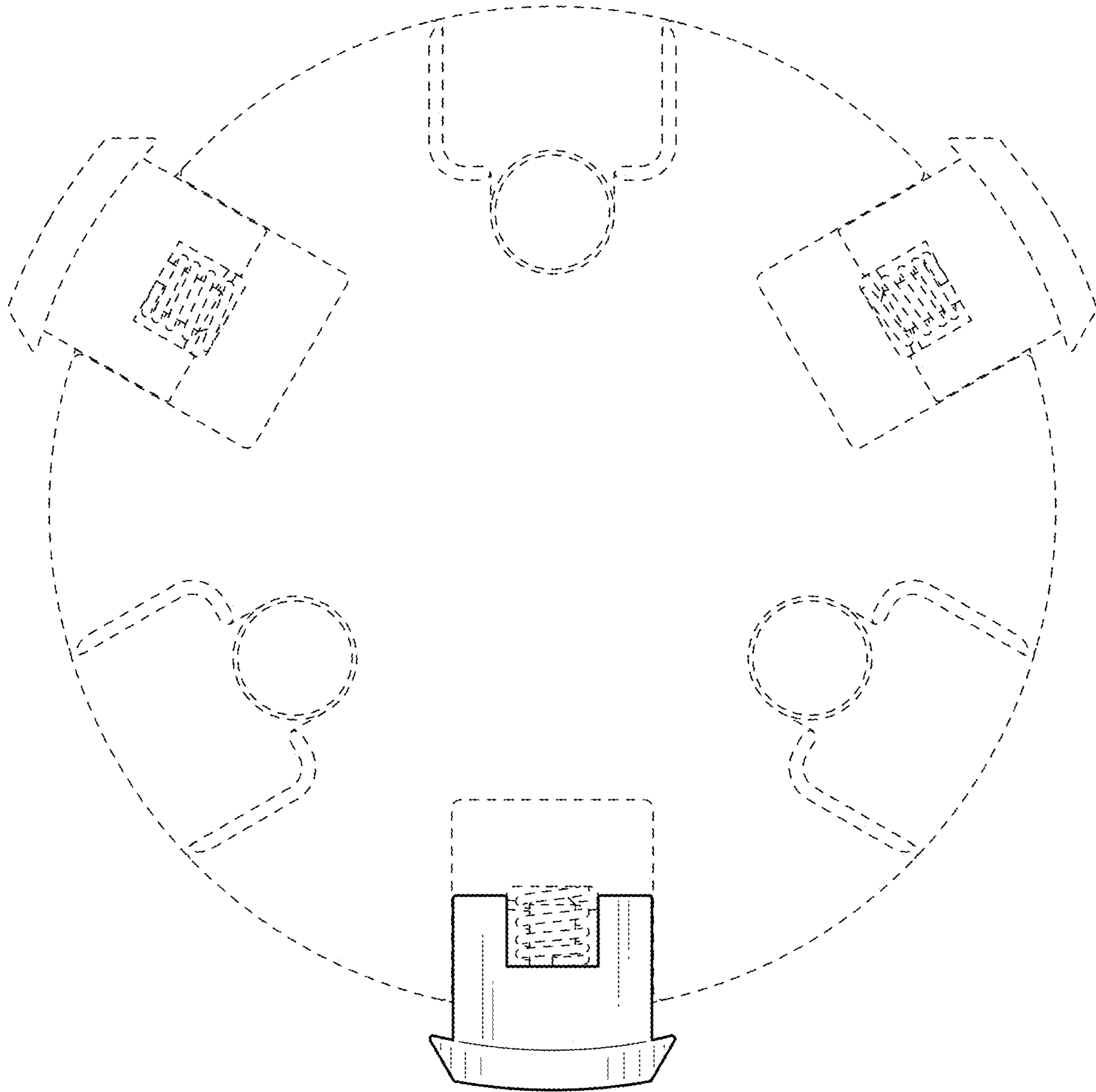
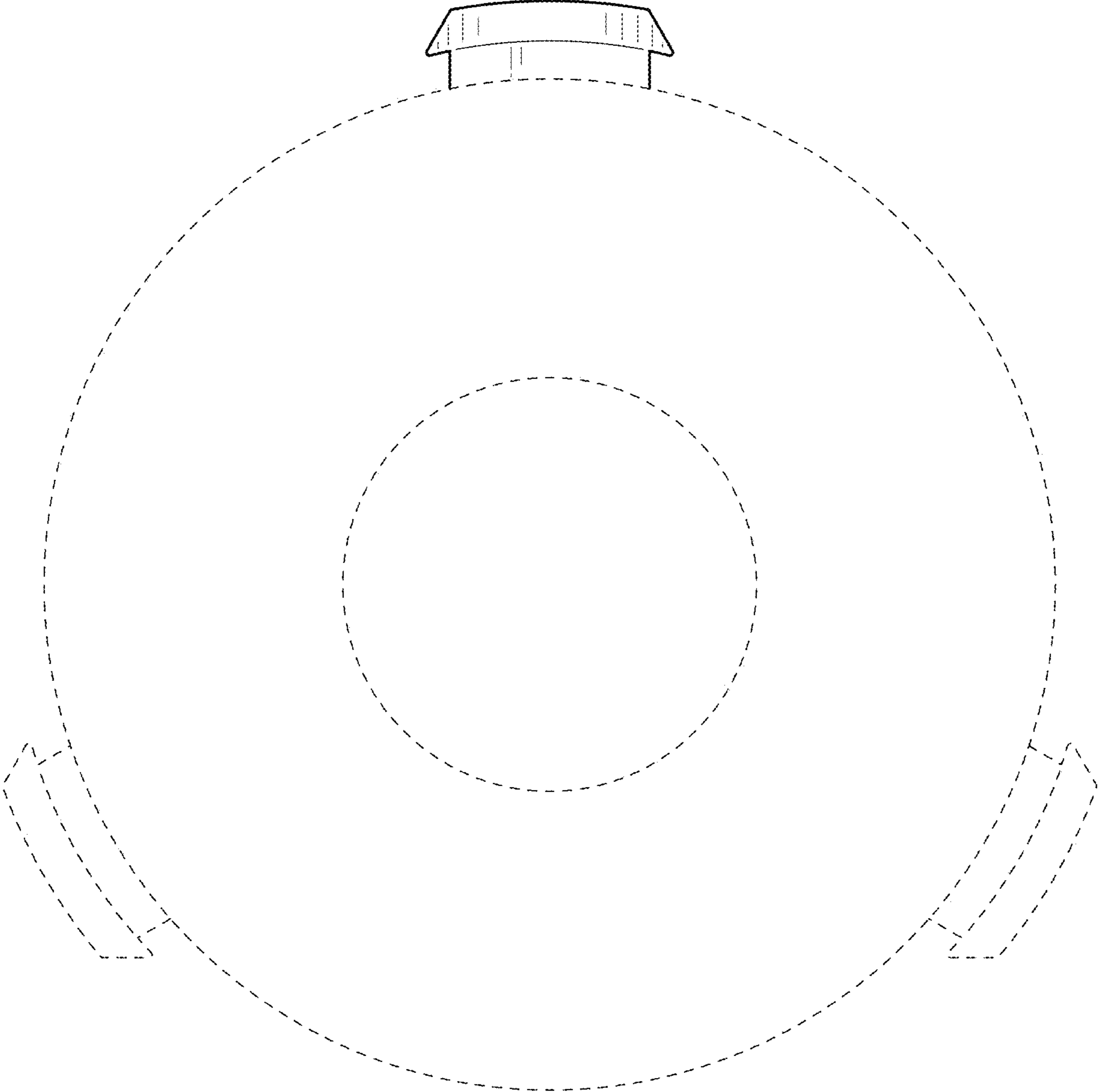


FIG. 6

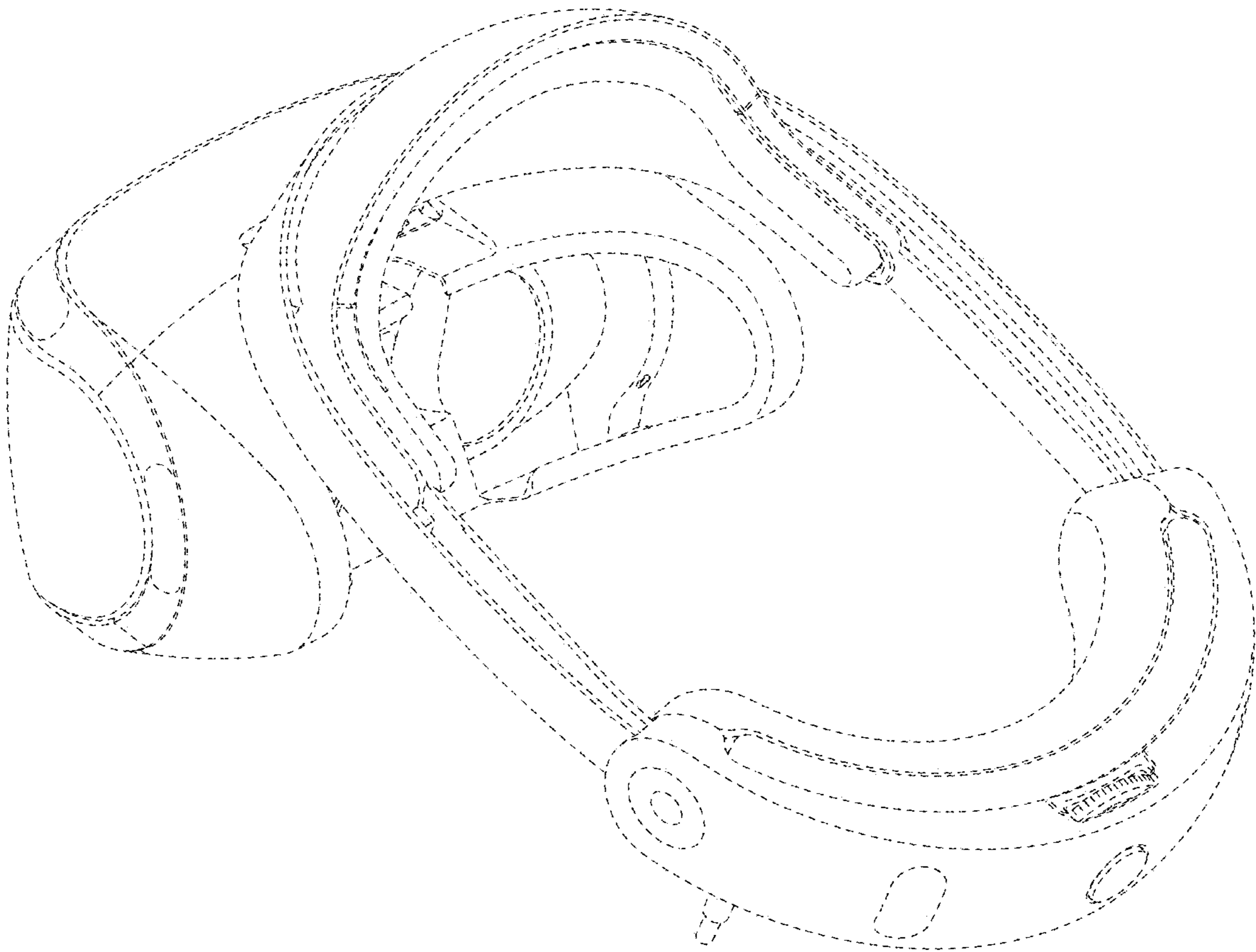


**FIG. 7**



**FIG. 8**





**FIG. 9**

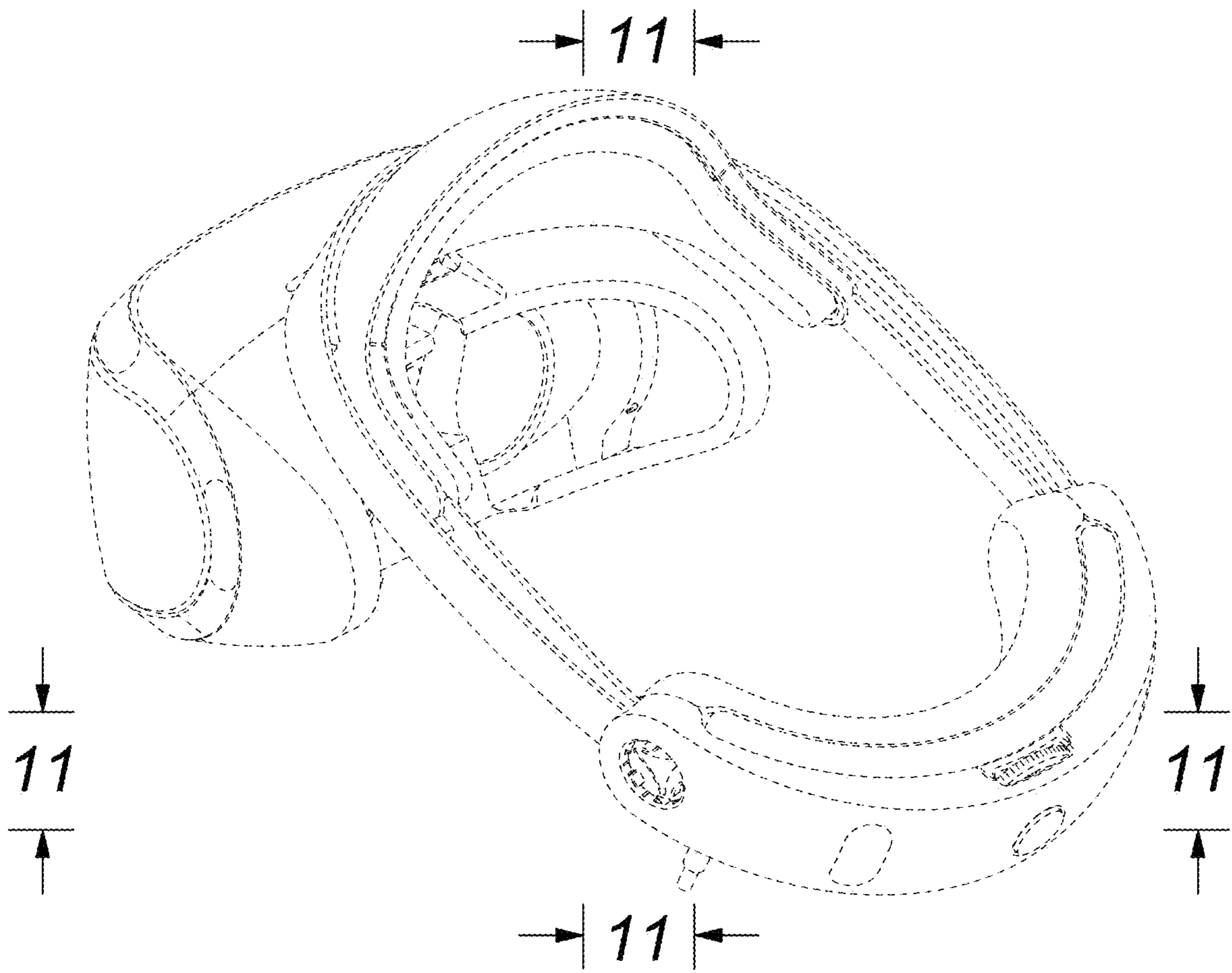
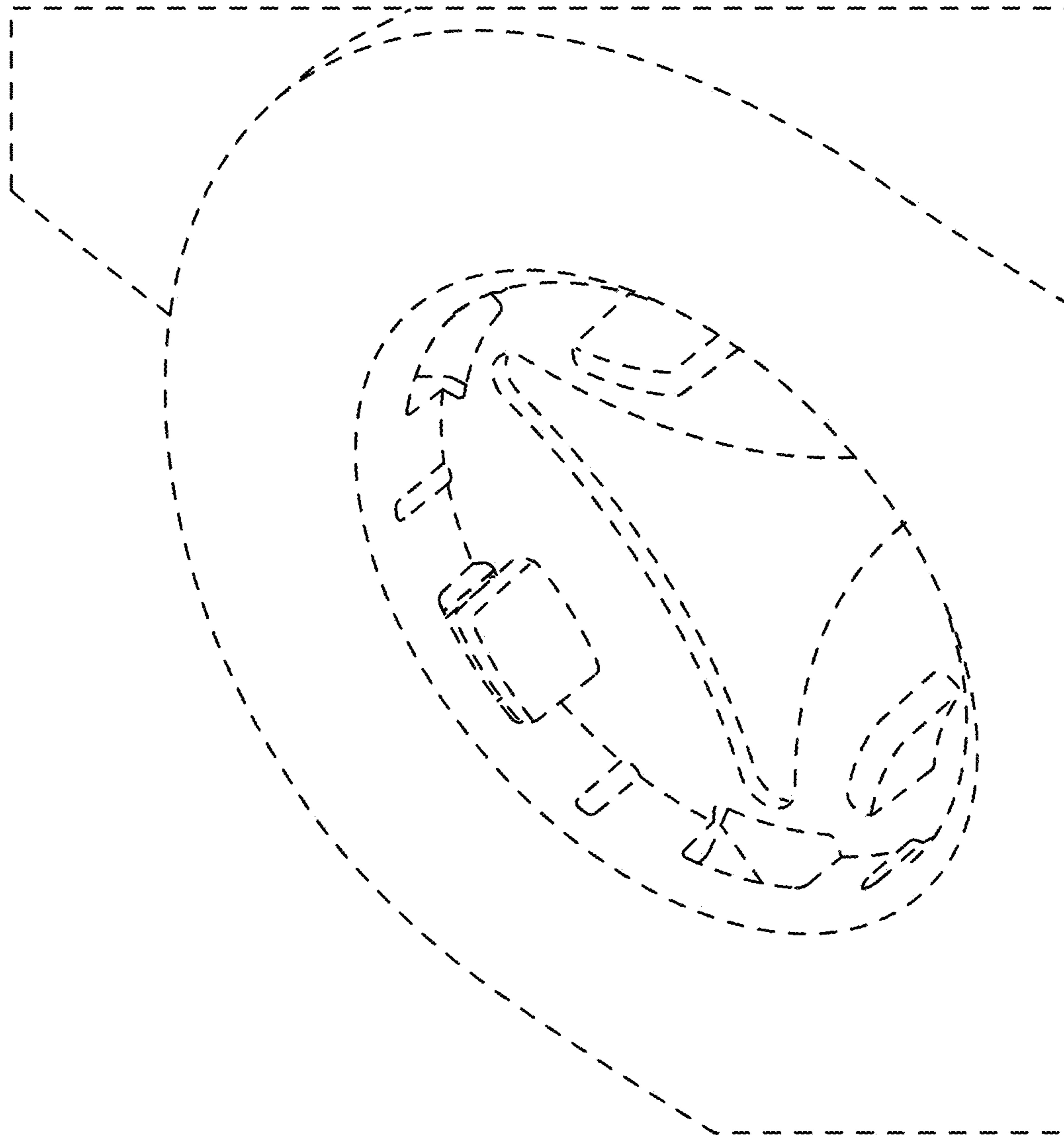


FIG. 10



*FIG. 11*