



US00D897629S

(12) **United States Design Patent**
Cooper

(10) **Patent No.:** **US D897,629 S**

(45) **Date of Patent:** **** Oct. 6, 2020**

(54) **DRESSING ASSISTANCE DEVICE WITH HANDS**

(71) Applicant: **Modesti Cooper**, Houston, TX (US)

(72) Inventor: **Modesti Cooper**, Houston, TX (US)

(**) Term: **15 Years**

(21) Appl. No.: **29/692,234**

(22) Filed: **May 23, 2019**

Related U.S. Application Data

(63) Continuation-in-part of application No. 15/296,190, filed on Oct. 18, 2016, now abandoned.

(51) **LOC (12) Cl.** **07-99**

(52) **U.S. Cl.**
USPC **D2/641**

(58) **Field of Classification Search**
USPC D2/641-643, 979, 999; D3/200; D20/27; D24/136; D28/91.2; D32/46
CPC A47G 25/80; A47G 25/82; A47G 25/84; A47G 25/86; A47G 25/88; A47G 25/90; A47G 25/901; A47G 25/902; A47G 25/904; A47G 25/905; A47G 25/907; A47G 25/908; A47G 25/92
See application file for complete search history.

(56) **References Cited**

U.S. PATENT DOCUMENTS

2,412,900	A	12/1946	Julius	
D249,299	S *	9/1978	Lindley	D2/642
4,887,749	A	12/1989	Kosmo et al.	
4,892,239	A	1/1990	Tomasi	
5,501,376	A	3/1996	Roda-Balzarini	
6,196,429	B1	3/2001	Cavdek et al.	
8,091,748	B2	1/2012	Whitlaw	
D761,517	S *	7/2016	Dugger	D2/641

D782,154	S *	3/2017	Pearson	A61G 7/1067
				D2/641
2005/0205619	A1	9/2005	Morel	
2009/0039118	A1	2/2009	Whitlaw	
2014/0163513	A1	6/2014	Schambon	
2014/0252047	A1	9/2014	Clark et al.	
2015/0028067	A1*	1/2015	Pearson	A61G 7/1067
				223/111
2017/0105561	A1*	4/2017	Cooper	A47G 25/90

* cited by examiner

Primary Examiner — Kevin K Rudzinski

Assistant Examiner — Clare Ann Gannon

(74) *Attorney, Agent, or Firm* — Boudwin Intellectual Property; Daniel Boudwin

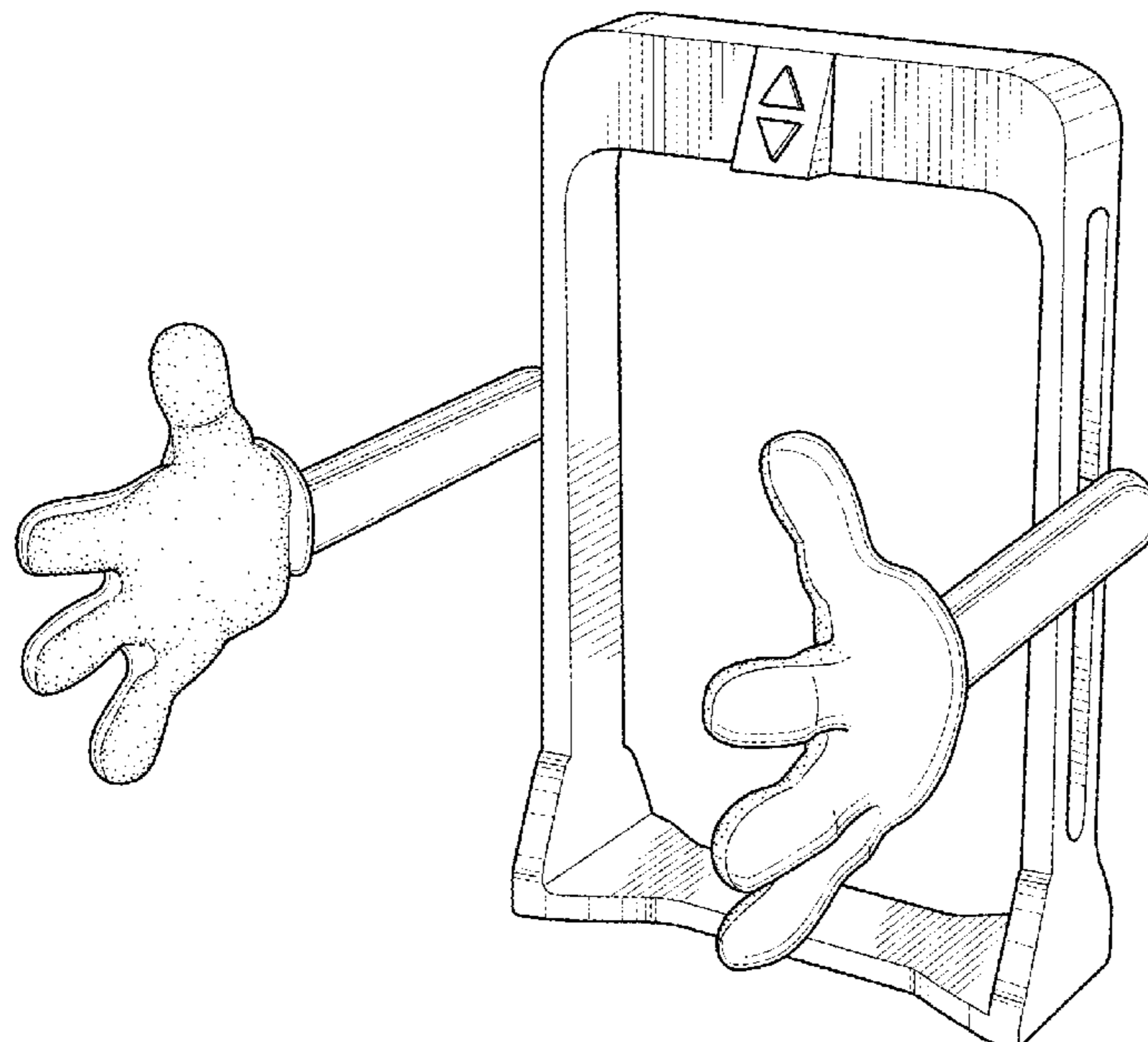
(57) **CLAIM**

The ornamental design for a dressing assistance device with hands, as shown and described.

DESCRIPTION

FIG. 1 shows a perspective view of a dressing assistance device with hands.
FIG. 2 shows a front view of the dressing assistance device with hands.
FIG. 3 shows a rear view of the dressing assistance device with hands.
FIG. 4 shows a right side view of the dressing assistance device with hands.
FIG. 5 shows a left side view of the dressing assistance device with hands.
FIG. 6 shows a top plan view of the dressing assistance device with hands; and,
FIG. 7 shows a bottom plan view of the dressing assistance device with hands.
The shade lines in the Figures show contour and not surface ornamentation.

1 Claim, 4 Drawing Sheets



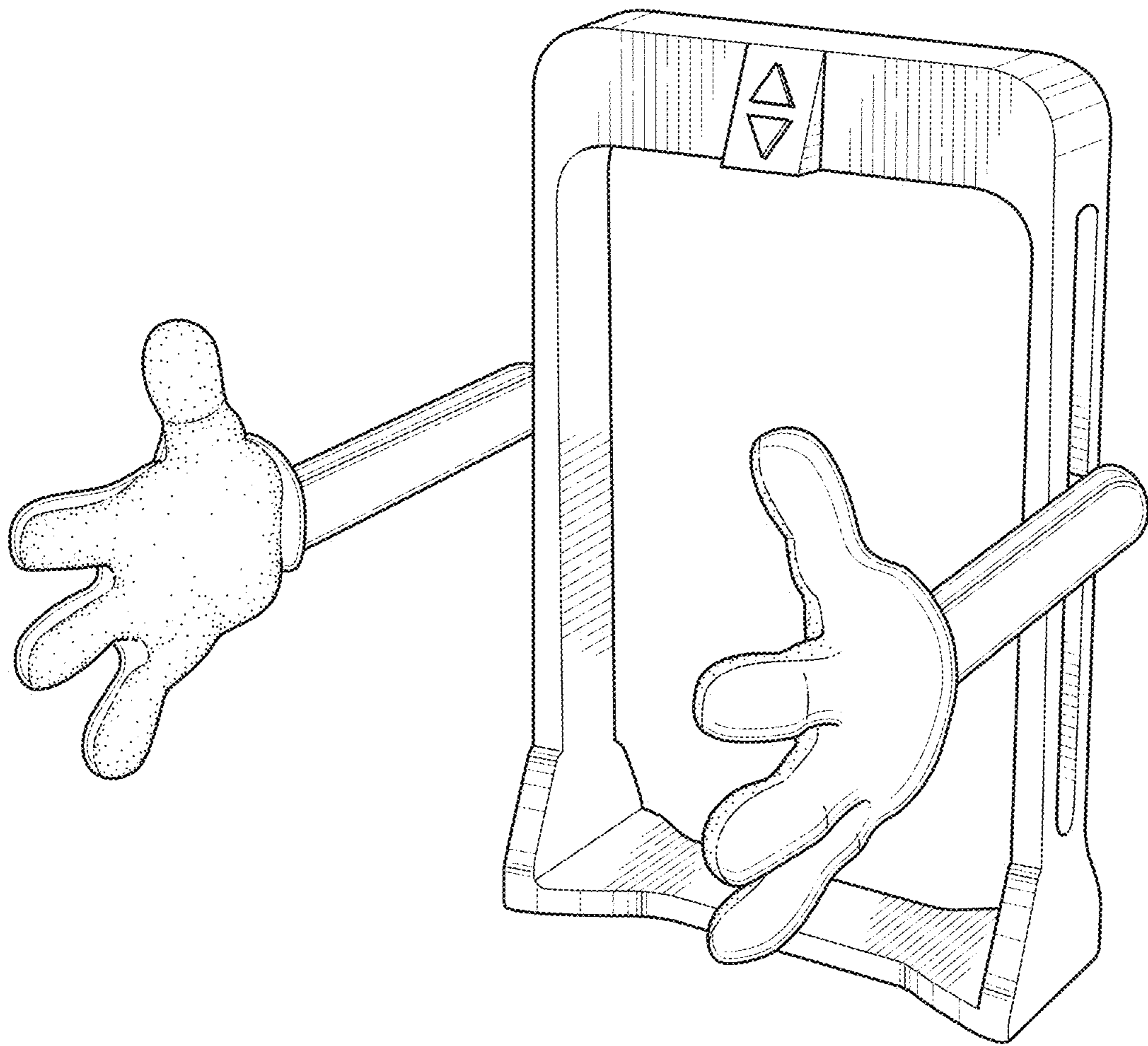


FIG. 1

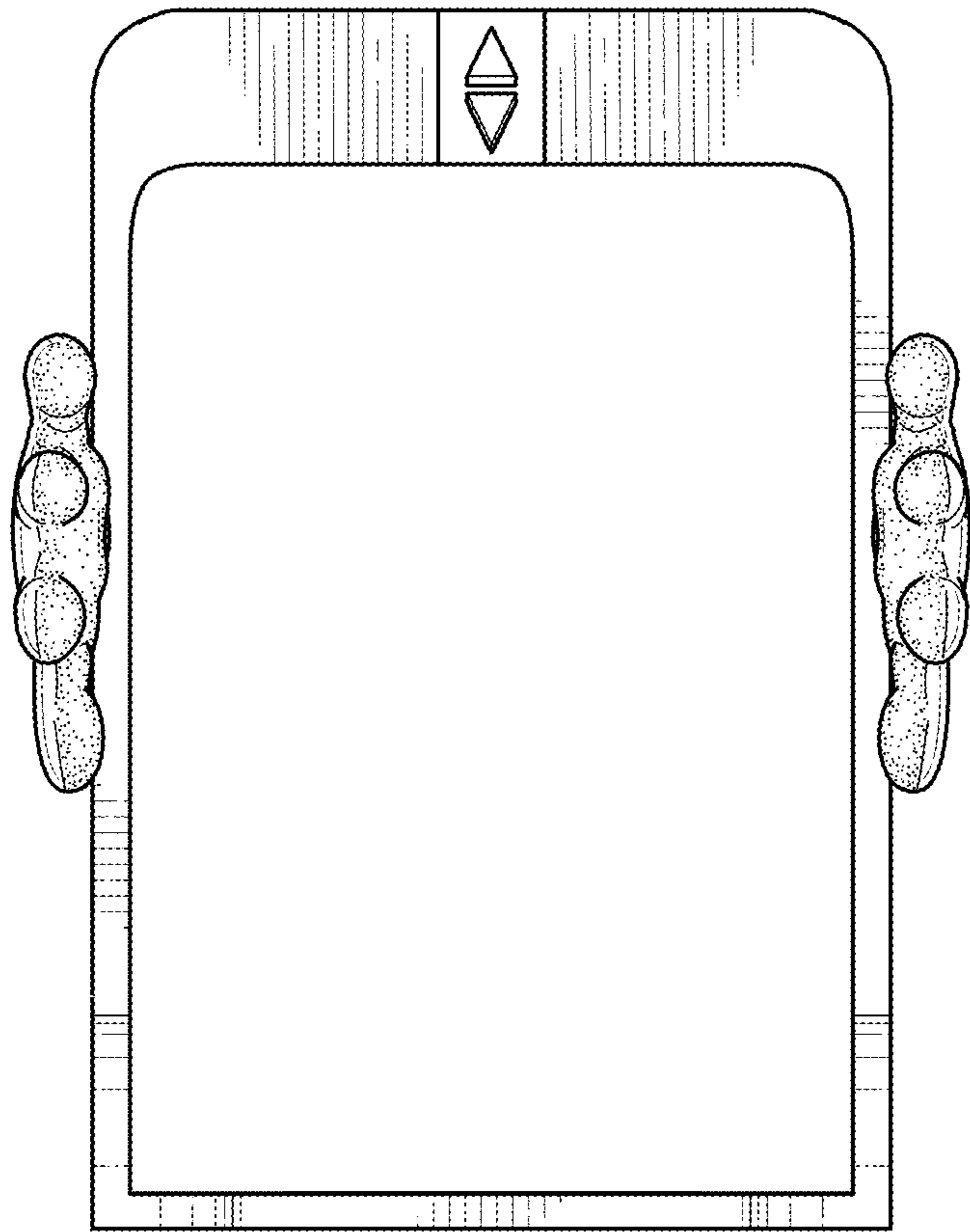


FIG. 2

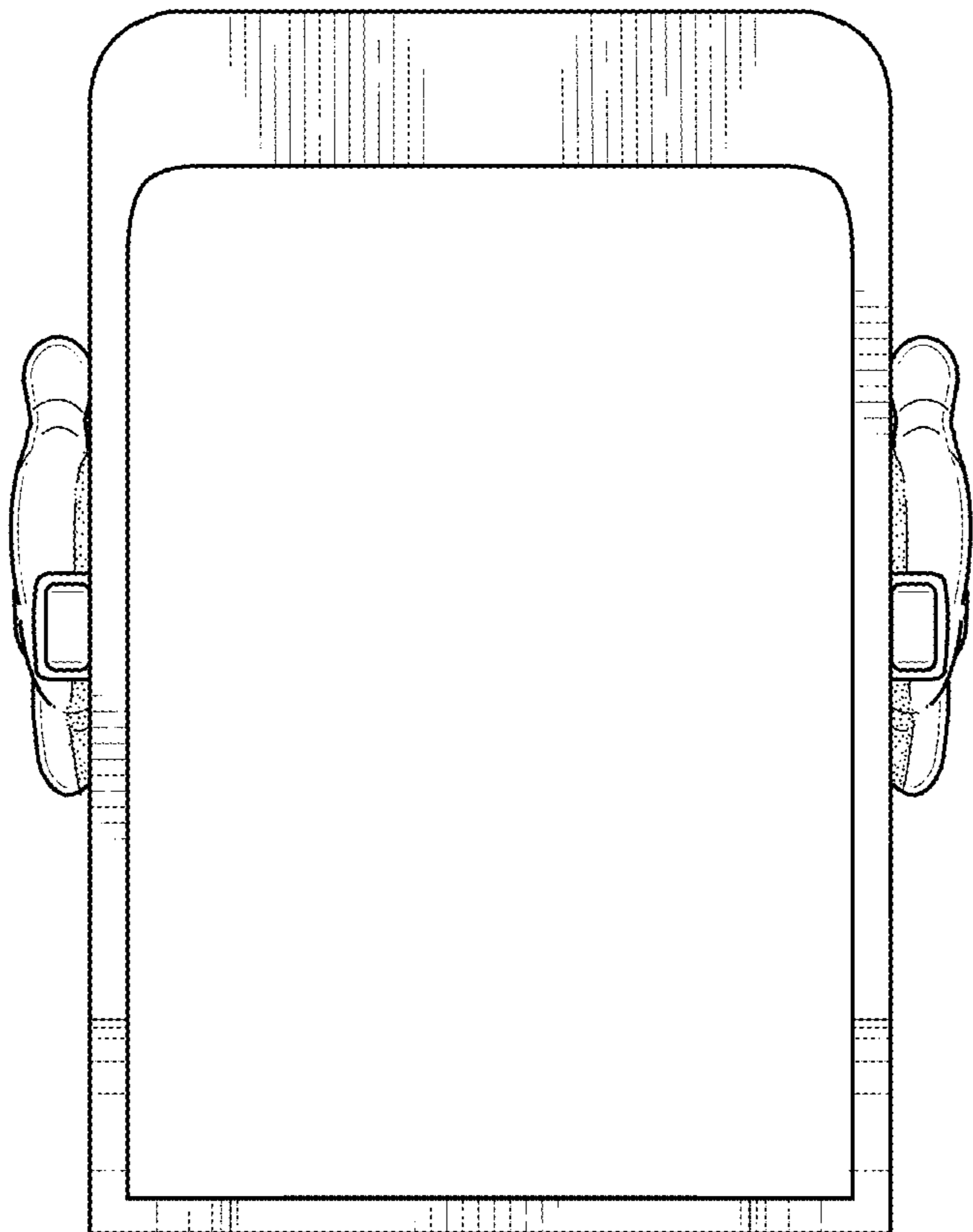
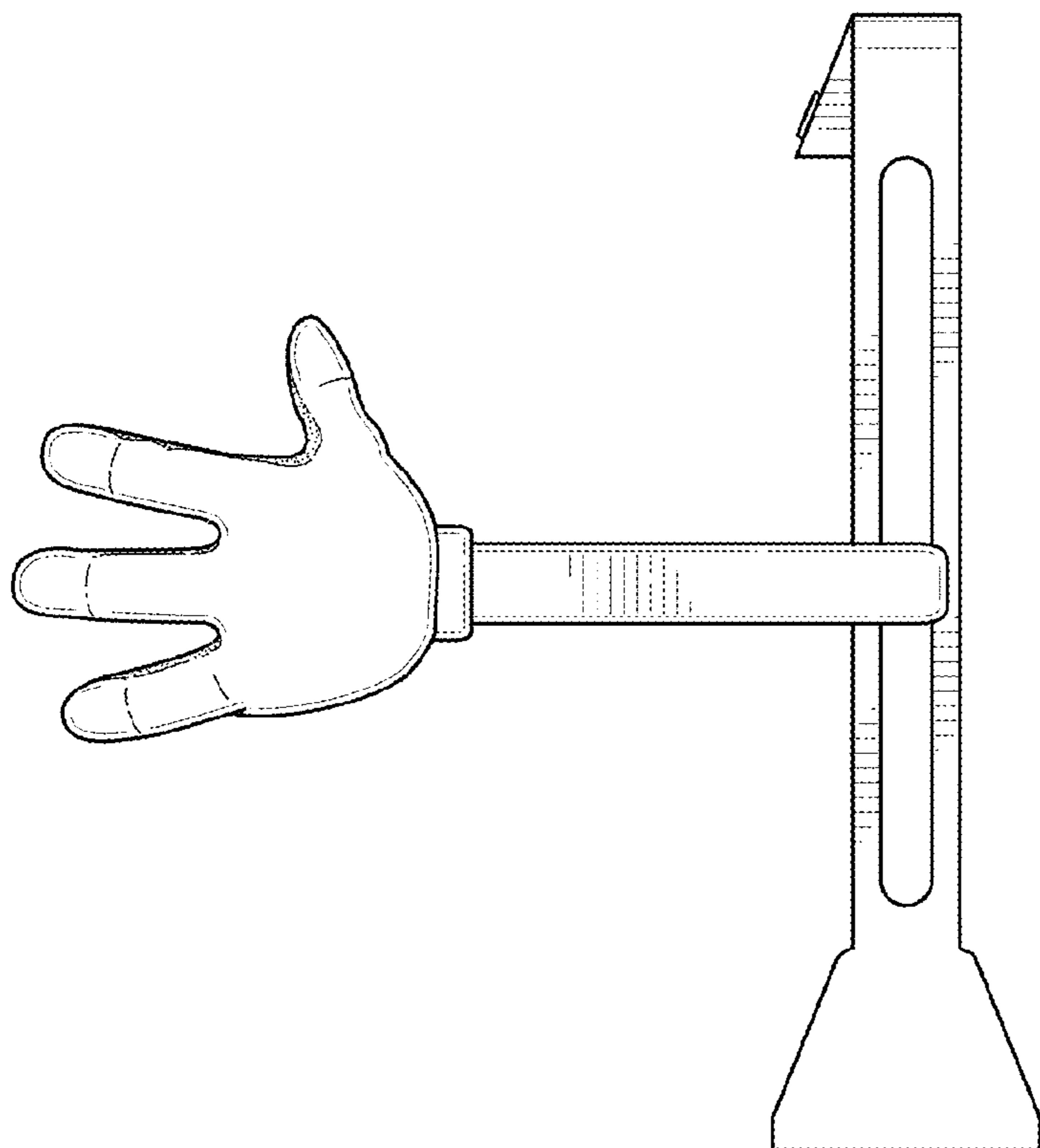
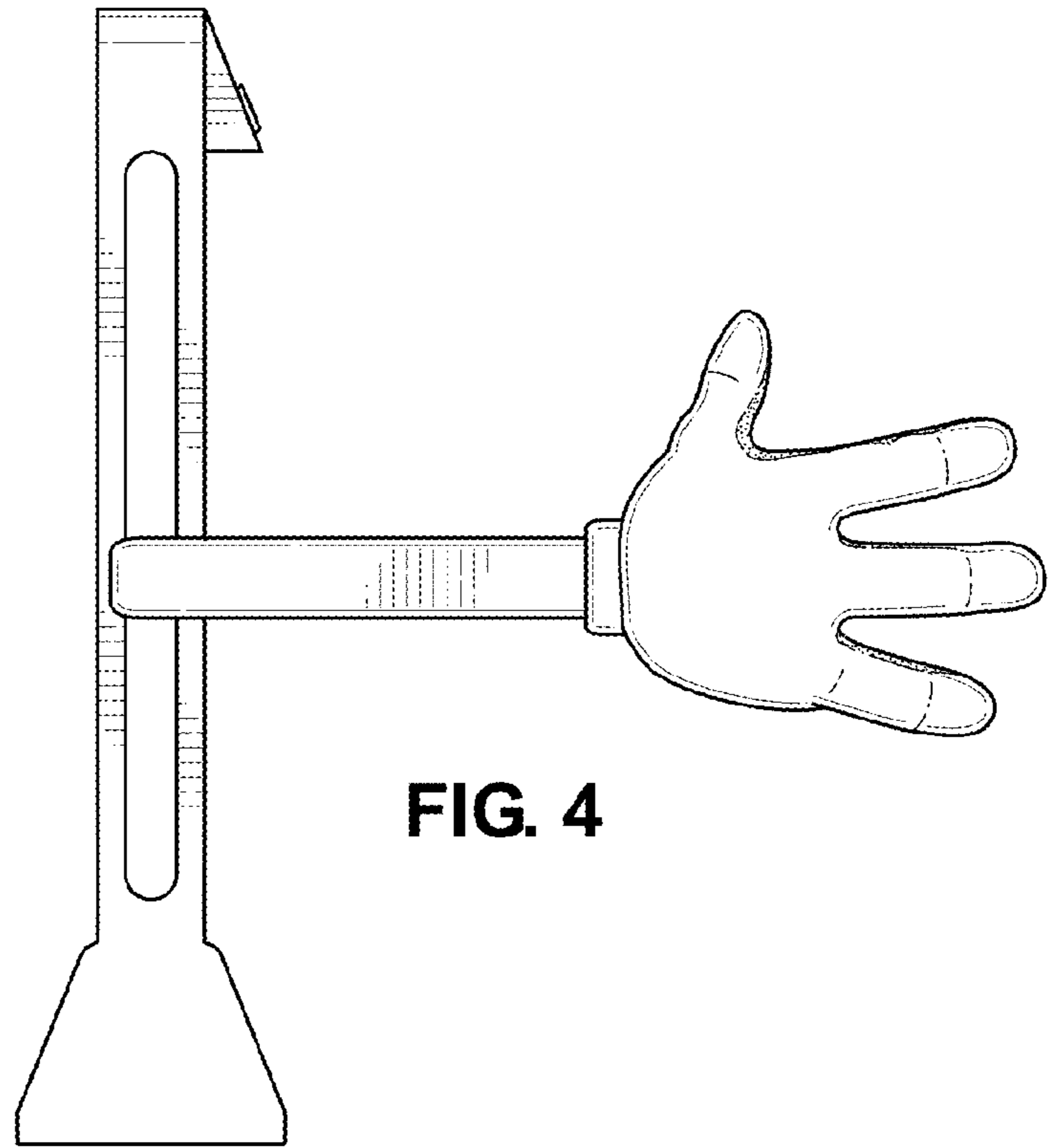


FIG. 3



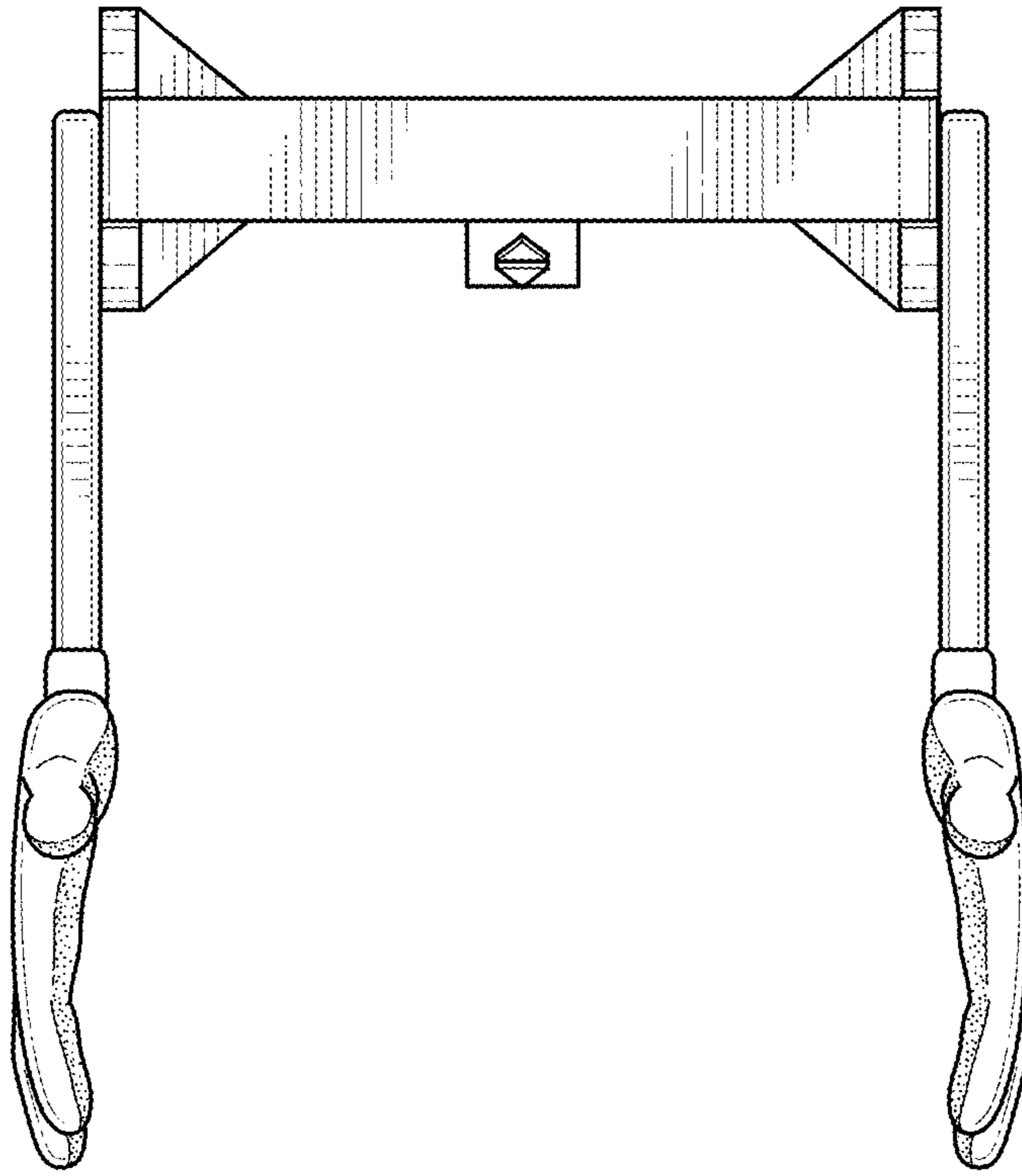


FIG. 6

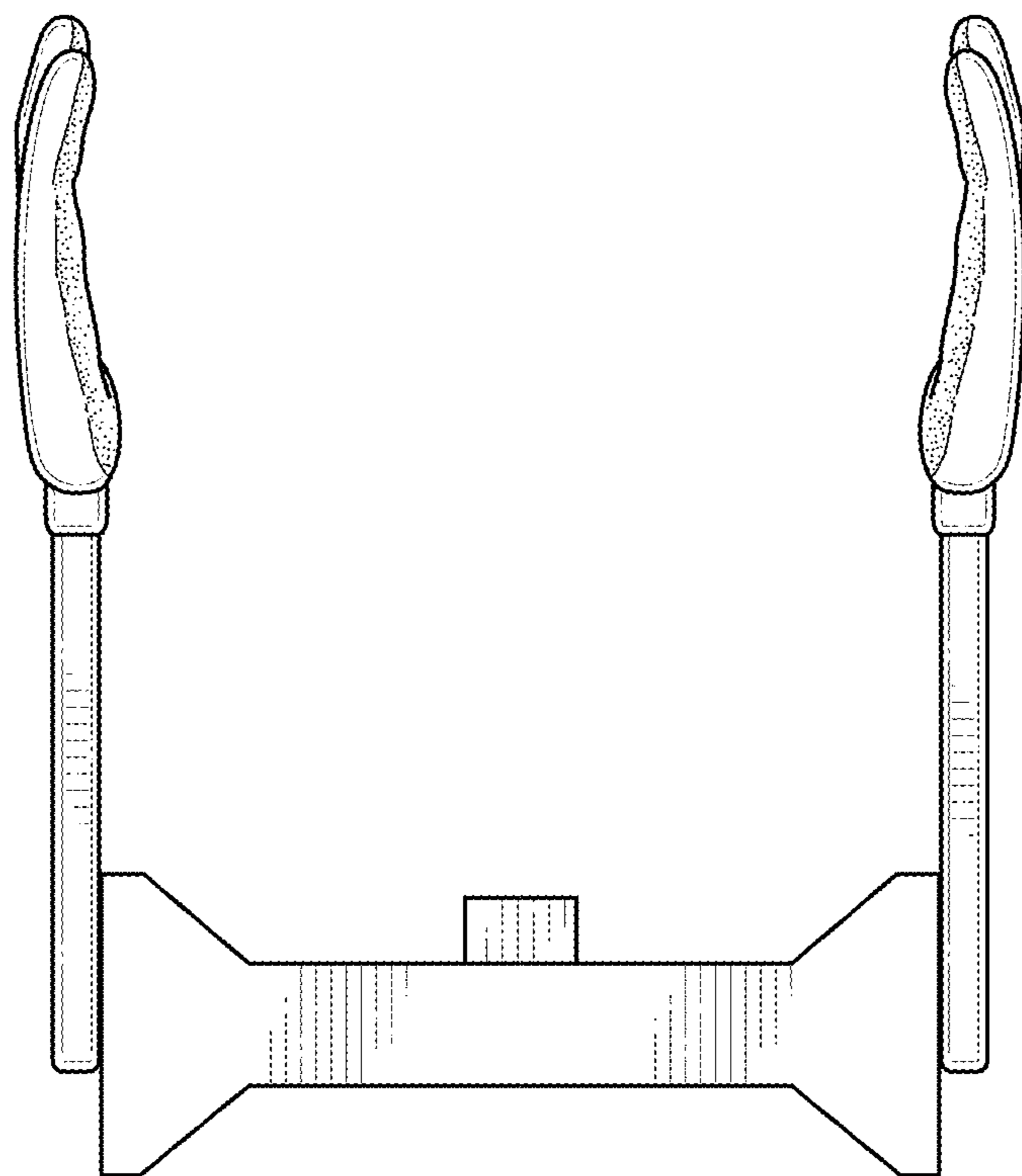


FIG. 7