

US00D897625S

(12) **United States Design Patent** (10) **Patent No.:** **US D897,625 S**
Hall et al. (45) **Date of Patent:** **** Sep. 29, 2020**

- (54) **PARCEL BOX**
- (71) Applicant: **Danby Products Limited**, Guelph (CA)
- (72) Inventors: **Gregory Allan Thomas Hall**, Guelph (CA); **Oliver Bradley**, Guelph (CA); **Erjon Begaj Hatillari**, Guelph (CA)
- (73) Assignee: **DANBY PRODUCTS LIMITED**, Guelph (CA)
- (**) Term: **15 Years**
- (21) Appl. No.: **29/677,525**
- (22) Filed: **Jan. 22, 2019**
- (51) **LOC (12) Cl.** **99-00**
- (52) **U.S. Cl.** **D99/29**
USPC
- (58) **Field of Classification Search**
USPC D99/28, 29, 31, 43, 99; D3/201, 226, D3/232, 272, 273, 274, 900-905; 232/1 R, 1 A, 1 C, 1 D, 4 R, 17, 19, 20, 232/21, 27, 30, 31, 45
CPC A47G 29/00; A47G 29/08; A47G 29/12; A47G 29/1201; A47G 29/1207; A47G 29/1209; A47G 29/1218; A47G 29/122; A45C 5/00; A45C 5/005; A45C 5/03; A45C 5/04; A45C 2005/032; A45C 2005/037; A45C 11/16; A45C 11/20; A45C 11/34; A45C 11/36; A45C 1/12
See application file for complete search history.

- (56) **References Cited**
U.S. PATENT DOCUMENTS
613,560 A * 11/1898 Crisp A47G 29/12 232/20
3,981,436 A * 9/1976 Neal A47G 29/1207 232/17
D354,827 S * 1/1995 Filipak D99/29

- 6,719,195 B2 * 4/2004 Farentinos A47G 29/22 232/45
- D512,804 S * 12/2005 Wilson D99/29
- 7,320,427 B2 * 1/2008 Prestwich A47G 29/16 232/45
- D569,074 S * 5/2008 Irwin D99/29
- D575,474 S * 8/2008 Williams D99/29
- 7,428,980 B2 * 9/2008 Irwin E05G 7/001 232/45
- D593,275 S * 5/2009 Williams D99/29
- 8,573,473 B1 * 11/2013 Farentinos A47G 29/22 232/45
- D702,915 S * 4/2014 Steele D99/29
- D715,515 S * 10/2014 Steele D99/29
- 8,960,530 B2 * 2/2015 Silke A47G 29/22 232/45
- D726,990 S * 4/2015 Aziz D99/29
- 9,004,346 B2 * 4/2015 Farentinos A47G 29/30 232/43.3
- D740,515 S * 10/2015 Aziz D99/29
- 9,211,025 B1 * 12/2015 Elhawwashy A47G 29/14

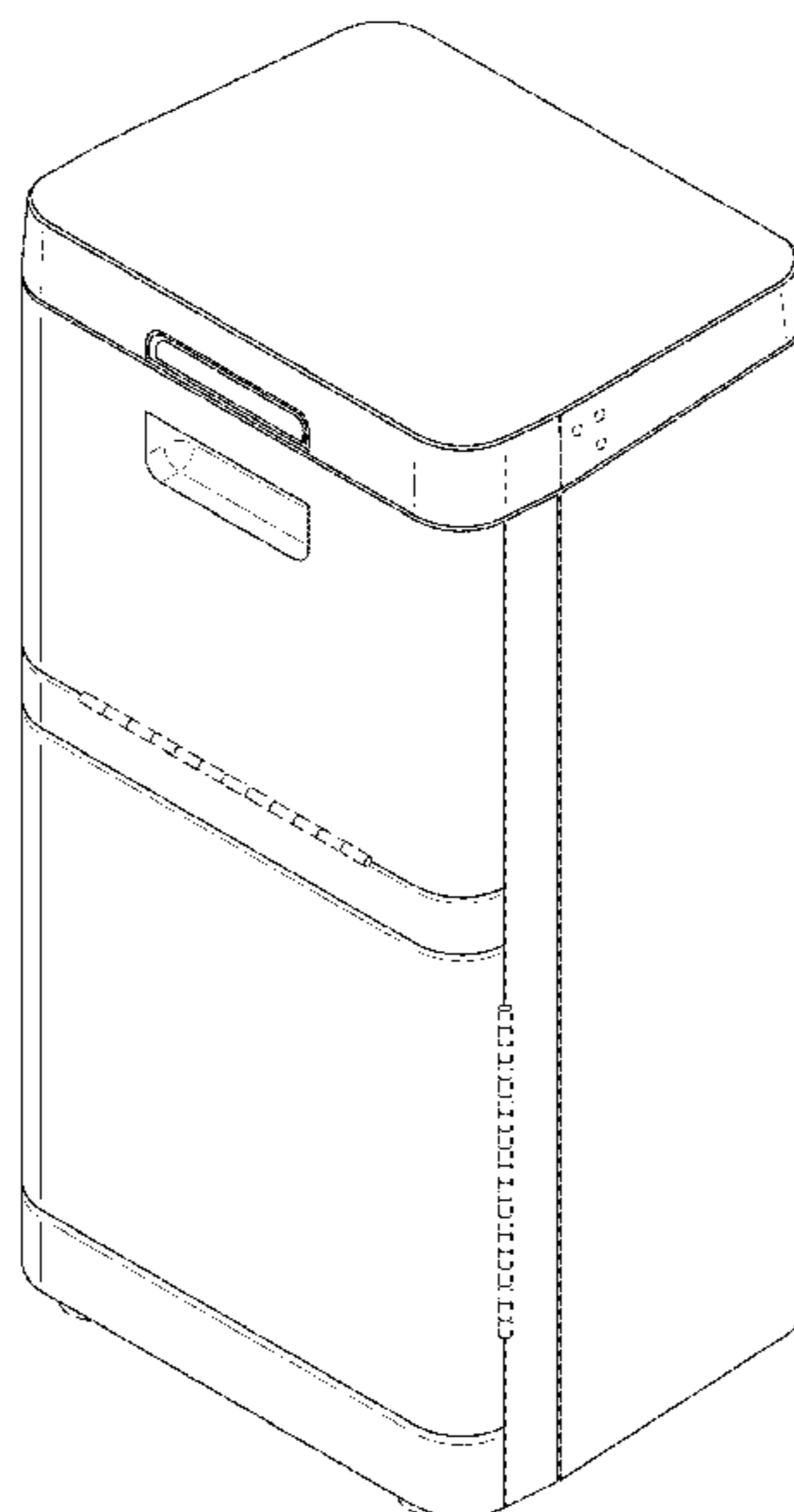
(Continued)

Primary Examiner — Elizabeth J Oswecki
(74) *Attorney, Agent, or Firm* — Ralph E. Jocke; Walker & Jocke

(57) **CLAIM**
The ornamental design for a parcel box, as shown and described.

DESCRIPTION
FIG. 1 is a front top right perspective view of a parcel box showing our new design;
FIG. 2 is a front bottom right perspective view thereof;
FIG. 3 is a left side view thereof;
FIG. 4 is a front view thereof;
FIG. 5 is a right side view thereof;
FIG. 6 is a back view thereof; and,
FIG. 7 is a top plan view thereof.
The broken dash lines shown form no part of the claimed design.

1 Claim, 7 Drawing Sheets



(56)

References Cited

U.S. PATENT DOCUMENTS

9,327,887	B2 *	5/2016	Farentinos	B65D 43/16
D762,940	S *	8/2016	Chap	D99/29
9,554,646	B1 *	1/2017	Charette	E05B 65/00
10,251,503	B1 *	4/2019	Fulps	A47G 29/1251
10,292,519	B1 *	5/2019	Sutton	A47G 29/1209
D854,279	S *	7/2019	Wirtz	D99/29
2008/0067227	A1 *	3/2008	Poss	A47G 29/30 232/17

* cited by examiner

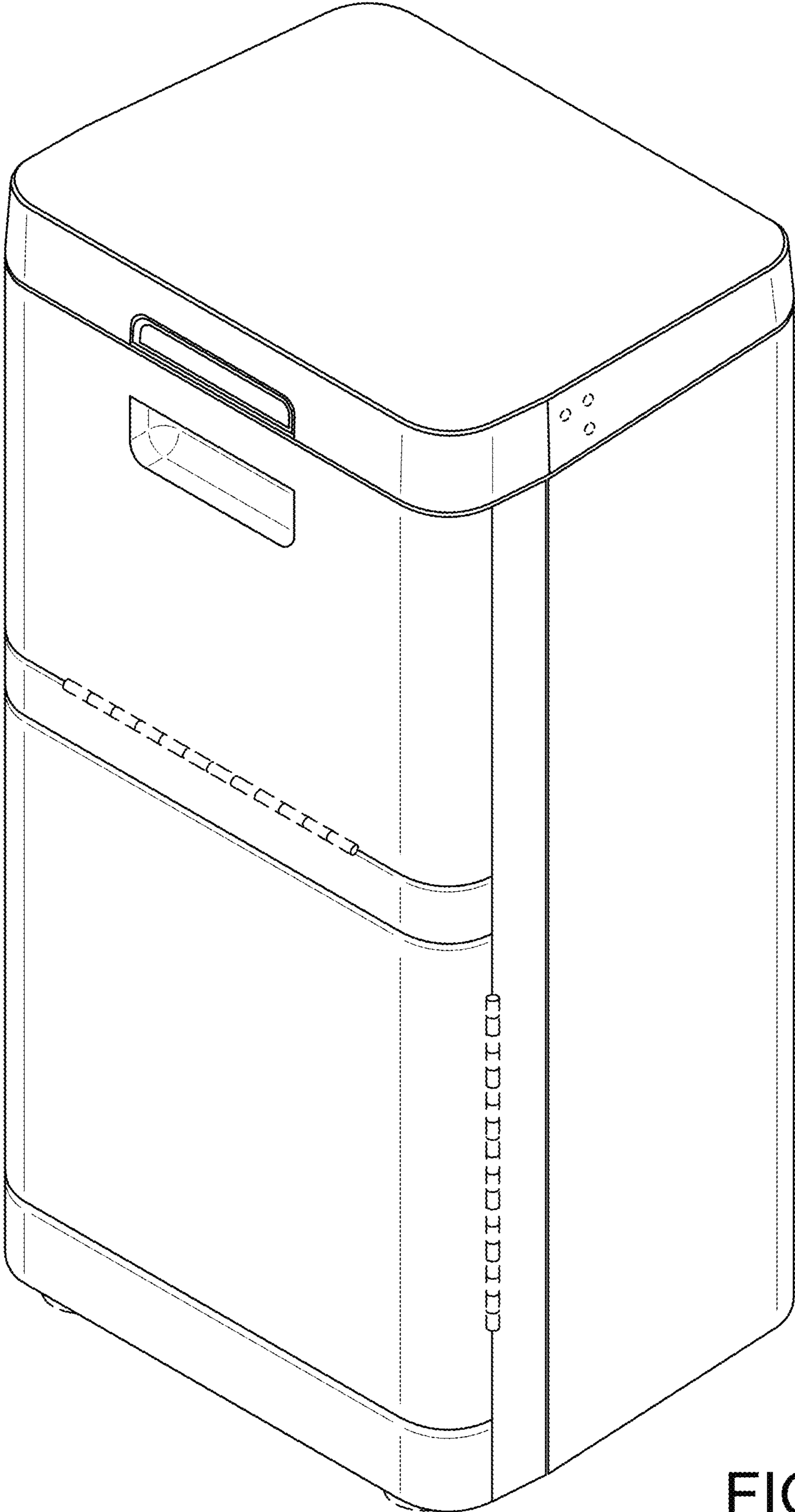


FIG. 1

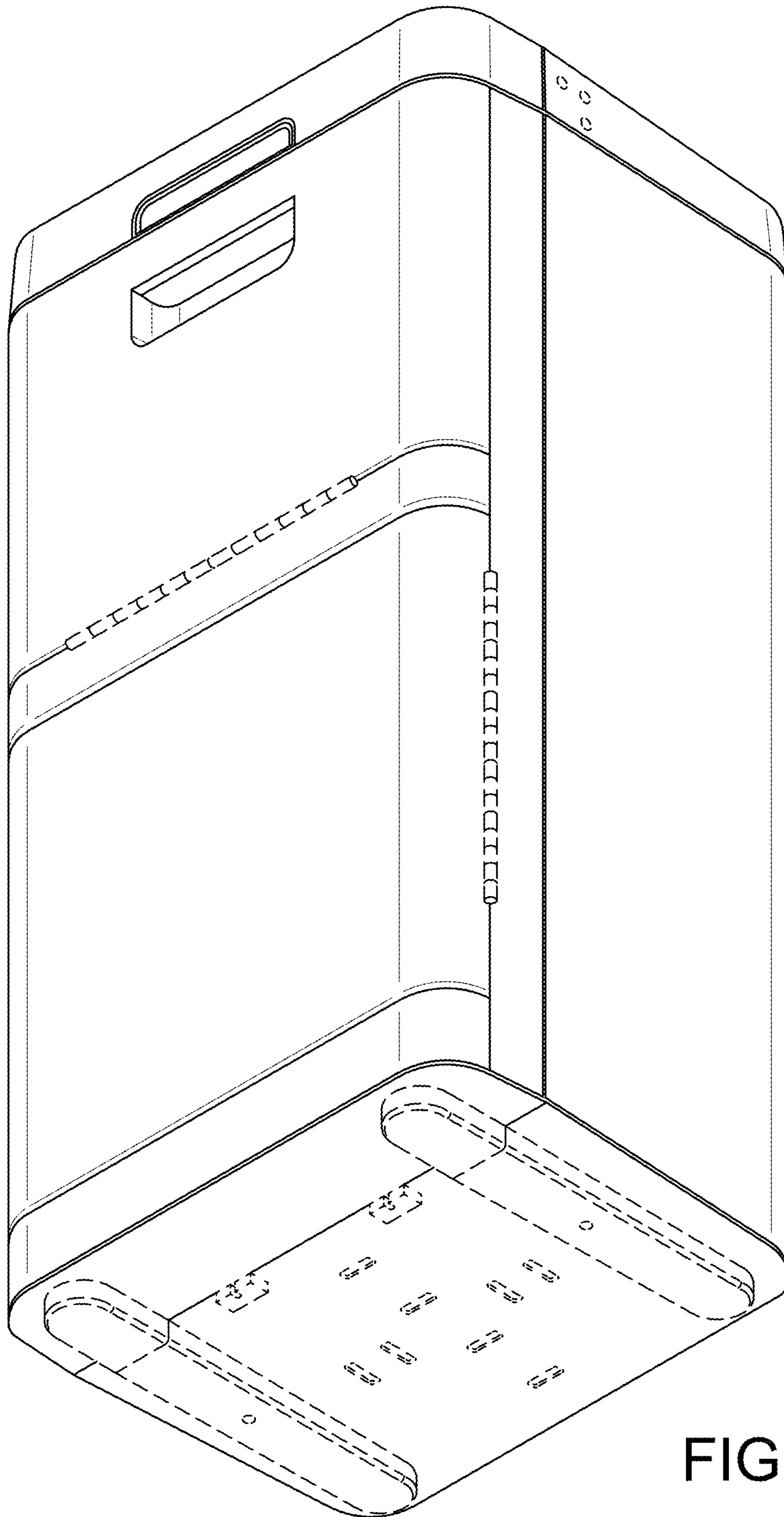


FIG. 2

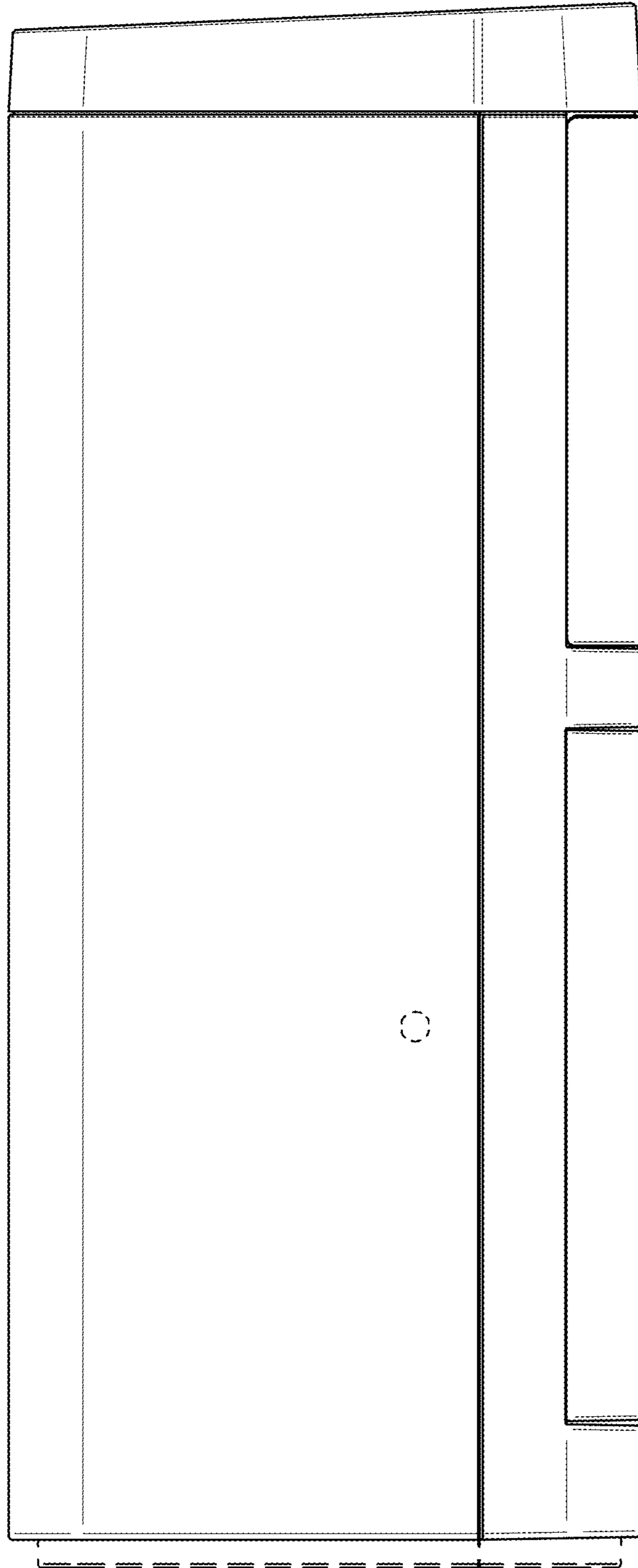


FIG. 3

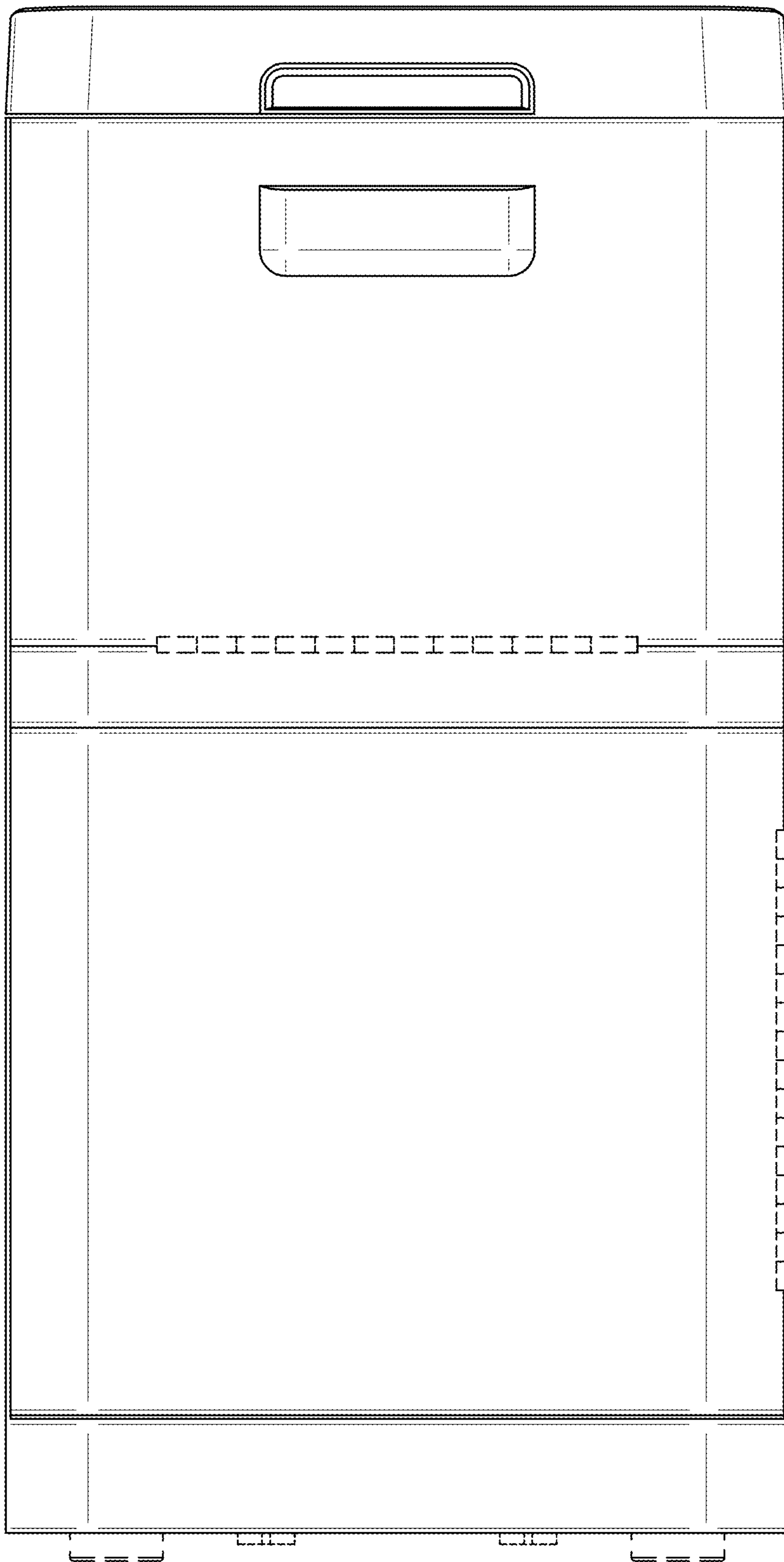


FIG. 4

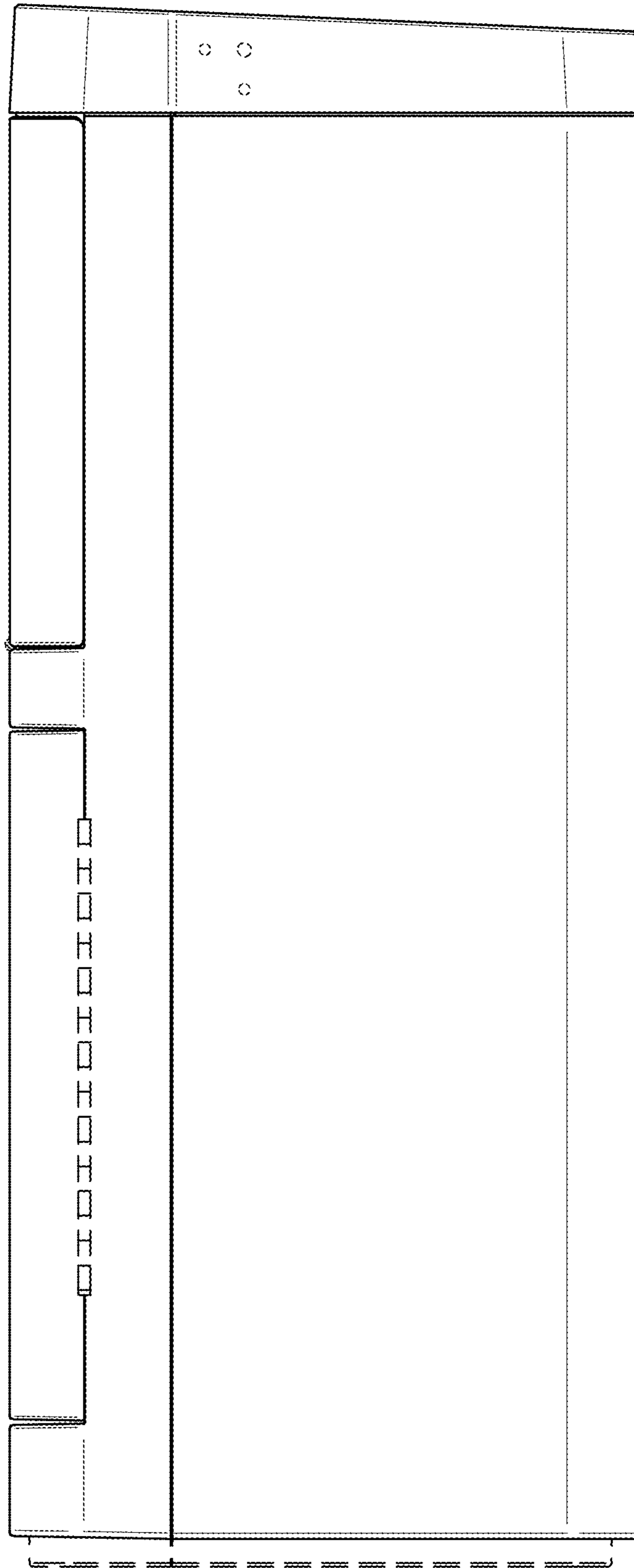


FIG. 5

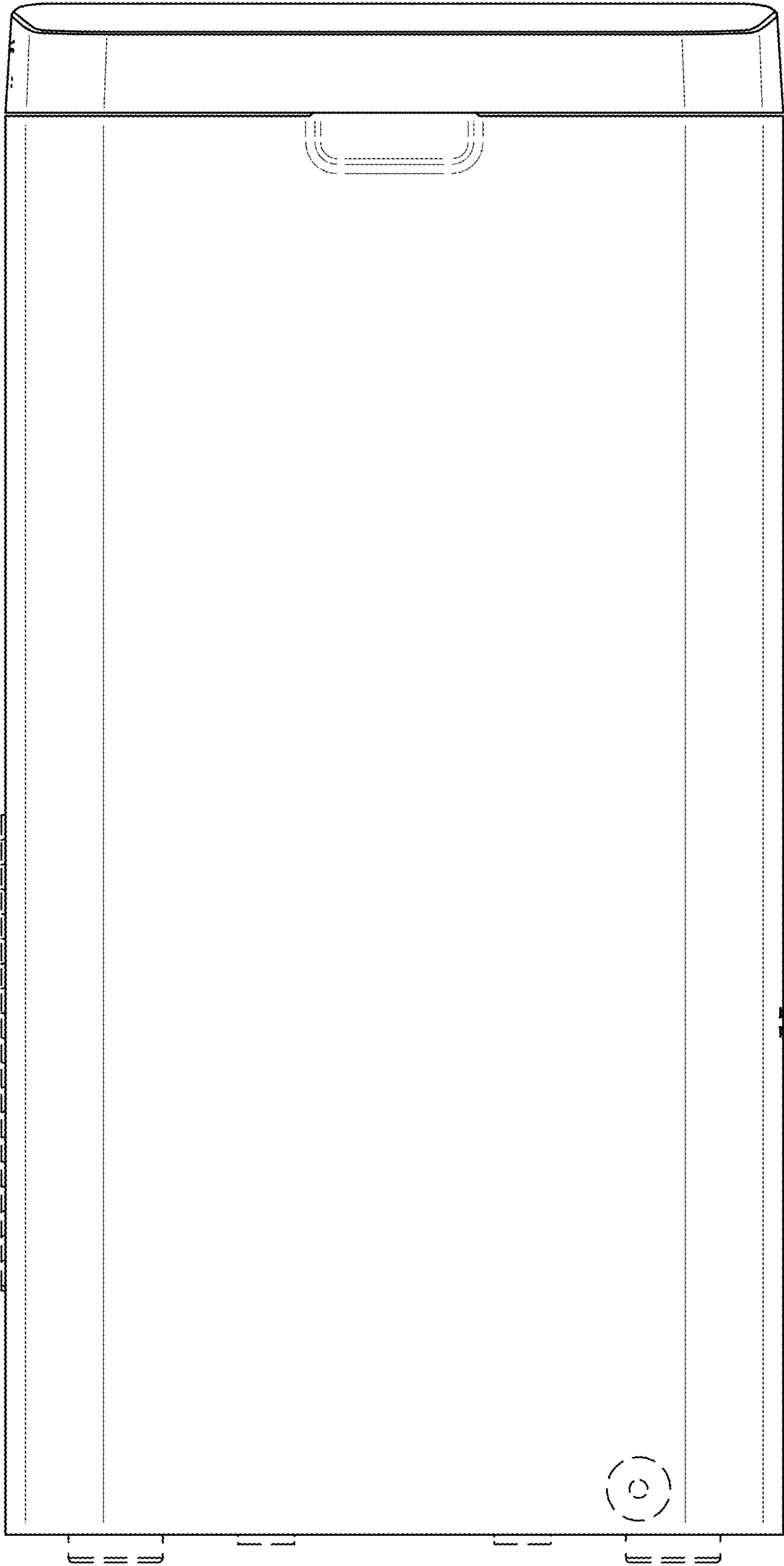


FIG. 6

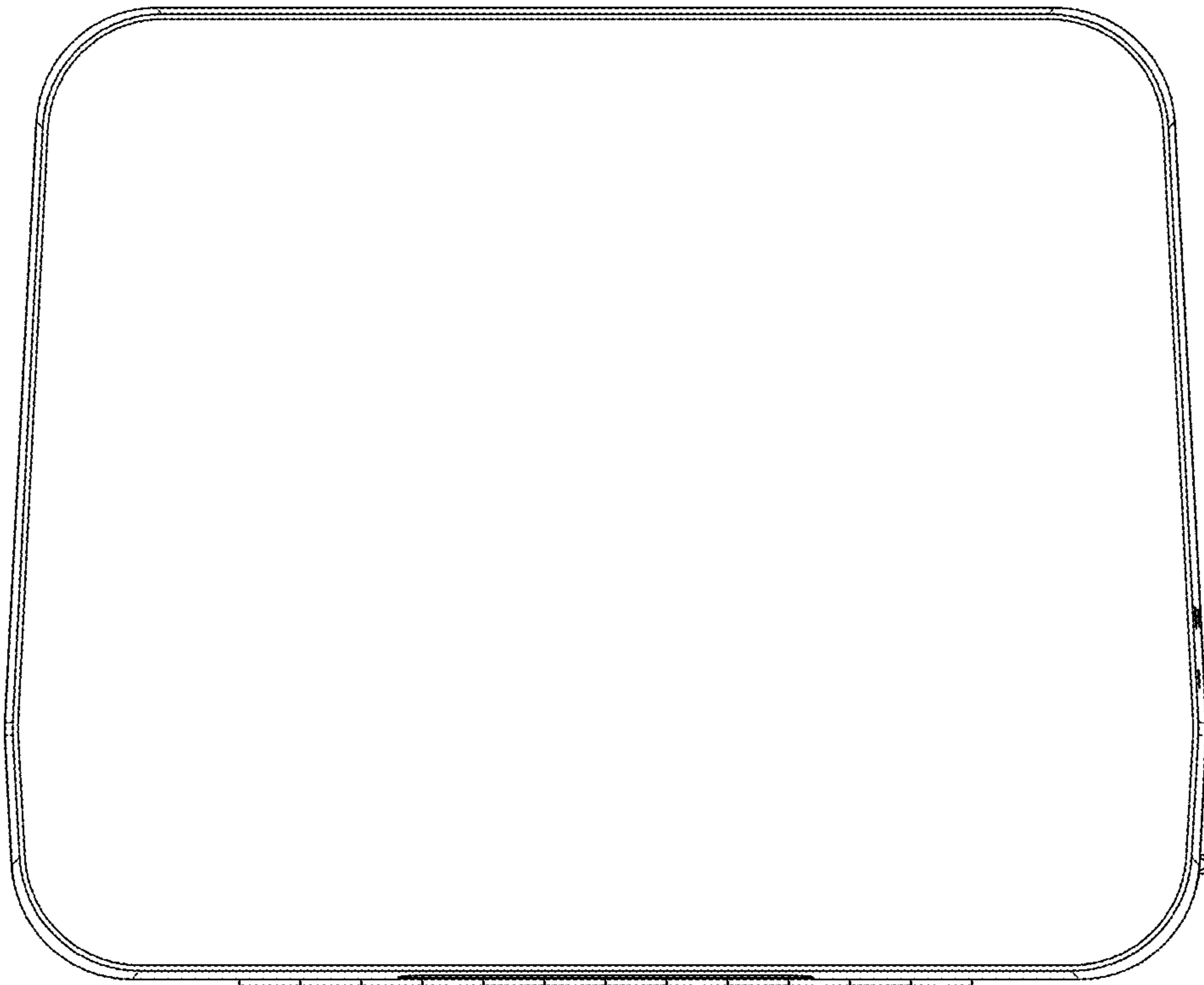


FIG. 7