



US00D897624S

(12) **United States Design Patent** (10) **Patent No.:** **US D897,624 S**
Dale (45) **Date of Patent:** **** Sep. 29, 2020**

(54) **CONVEYOR BAR CAP**

D790,799 S * 6/2017 Holzhaeuser D34/35
D881,416 S * 4/2020 Jiang D25/122
D882,160 S * 4/2020 Roys D26/138

(71) Applicant: **DALE HOLDINGS PTY LTD,**
Cosmo, Roodepoort (ZA)

FOREIGN PATENT DOCUMENTS

(72) Inventor: **Chris Dale,** Cosmo (ZA)

ZA F201800961 6/2018

(73) Assignee: **DALE HOLDINGS PTY LTD,** Cosmo
(ZA)

* cited by examiner

(**) Term: **15 Years**

Primary Examiner — George A Bugg
Assistant Examiner — Tamara L Hahn

(21) Appl. No.: **29/681,723**

(74) *Attorney, Agent, or Firm* — Workman Nydegger;
Matthew D. Todd

(22) Filed: **Feb. 27, 2019**

(57) **CLAIM**

(51) **LOC (12) Cl.** **09-02**

The ornamental design for a conveyor bar cap, as shown and described.

(52) **U.S. Cl.**

DESCRIPTION

USPC **D34/39**

(58) **Field of Classification Search**

USPC D34/28, 29, 30, 31, 32, 33, 34, 35, 36,
D34/37, 38, 39; D25/119, 120, 122, 123,
D25/124, 126

CPC D65G 47/2072; B65G 39/02
See application file for complete search history.

The present application incorporates by reference South Africa Application Serial Number ZA F2018/00961, which was filed Jun. 22, 2018.

FIG. 1 is a front perspective view of a conveyor bar cap according to the present invention.

FIG. 2 is a rear perspective view of the conveyor bar cap of FIG. 1.

FIG. 3 is a front view of the conveyor bar cap of FIG. 1.

FIG. 4 is a rear view of the conveyor bar cap of FIG. 1.

FIG. 5 is a top view of the conveyor bar cap of FIG. 1.

FIG. 6 is an bottom view of the conveyor bar cap of FIG. 1; and,

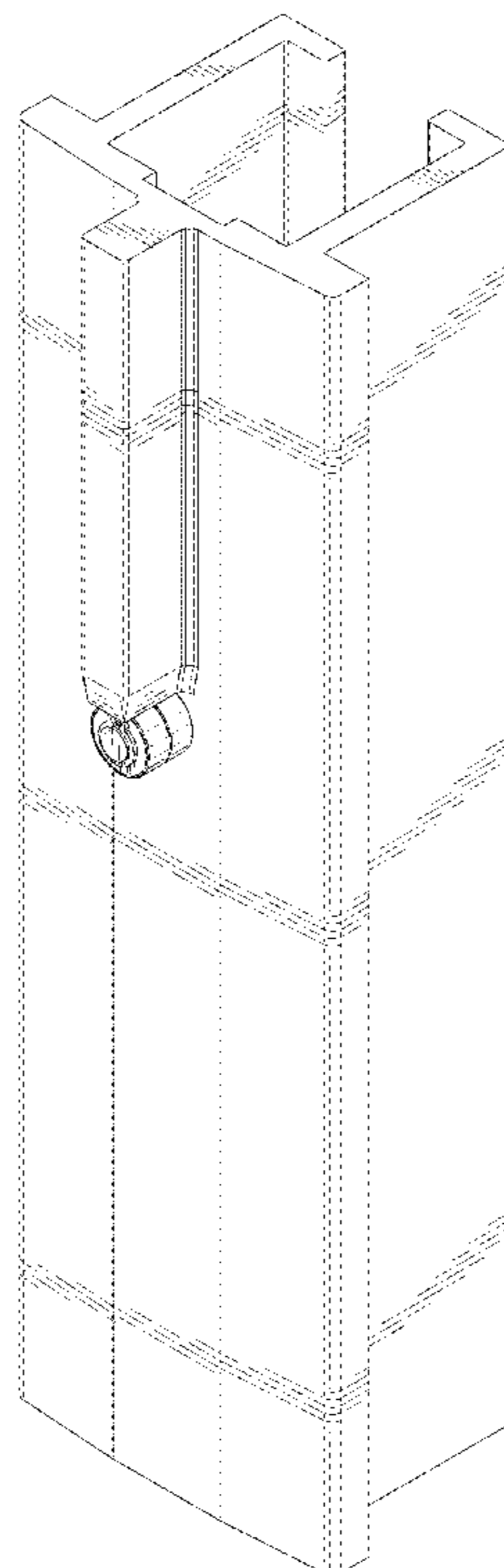
FIG. 7 is a side perspective view of the conveyor bar cap of FIG. 1.

(56) **References Cited**

U.S. PATENT DOCUMENTS

D238,510 S * 1/1976 Tabler D34/29
D424,213 S * 5/2000 Chaney D25/122
D473,661 S * 4/2003 Kim D25/122
D648,159 S * 11/2011 Hense D6/712
D648,582 S * 11/2011 Le D6/705
D666,328 S * 8/2012 Morton D25/122
D726,988 S * 4/2015 Baric D34/29

1 Claim, 6 Drawing Sheets



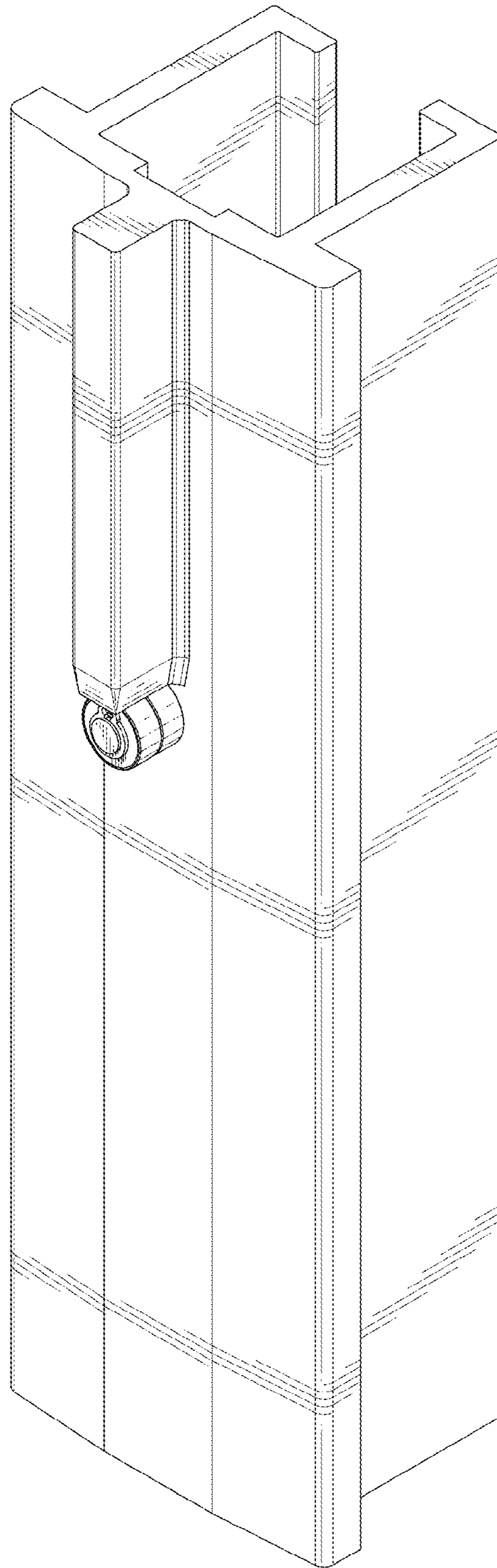


FIG. 1

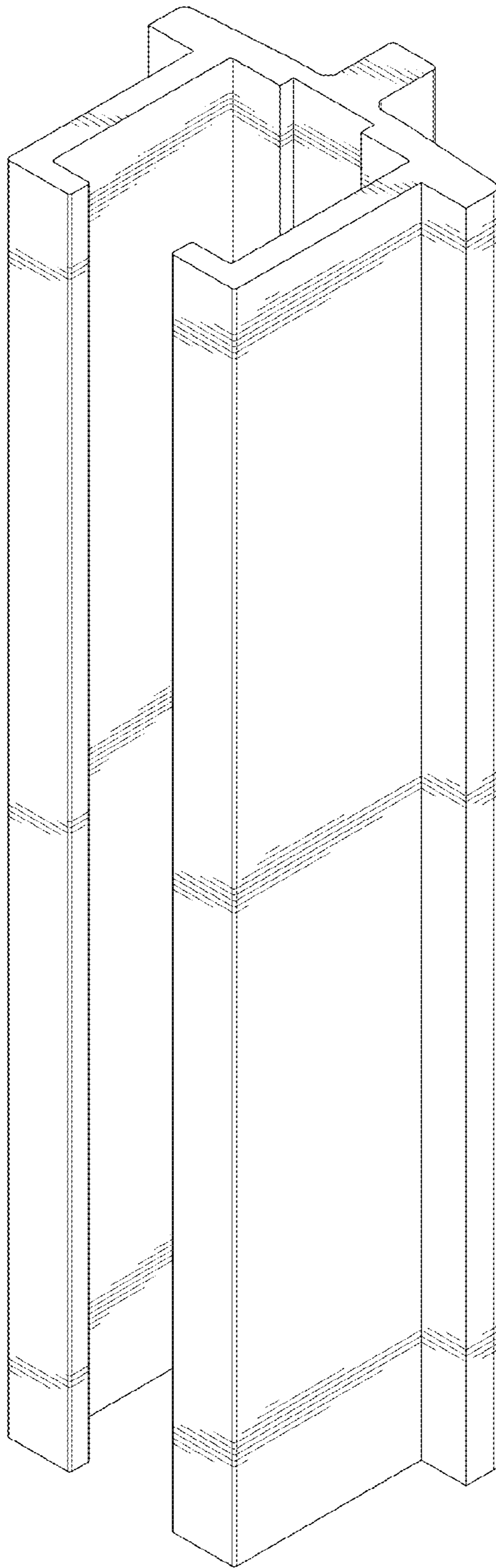


FIG. 2

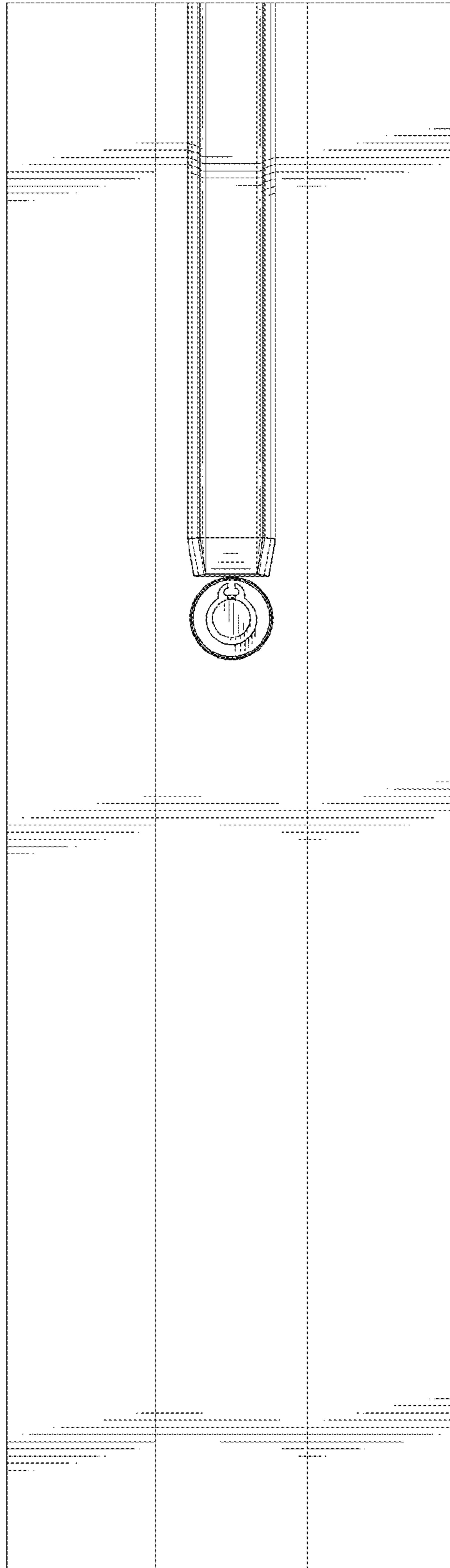


FIG. 3

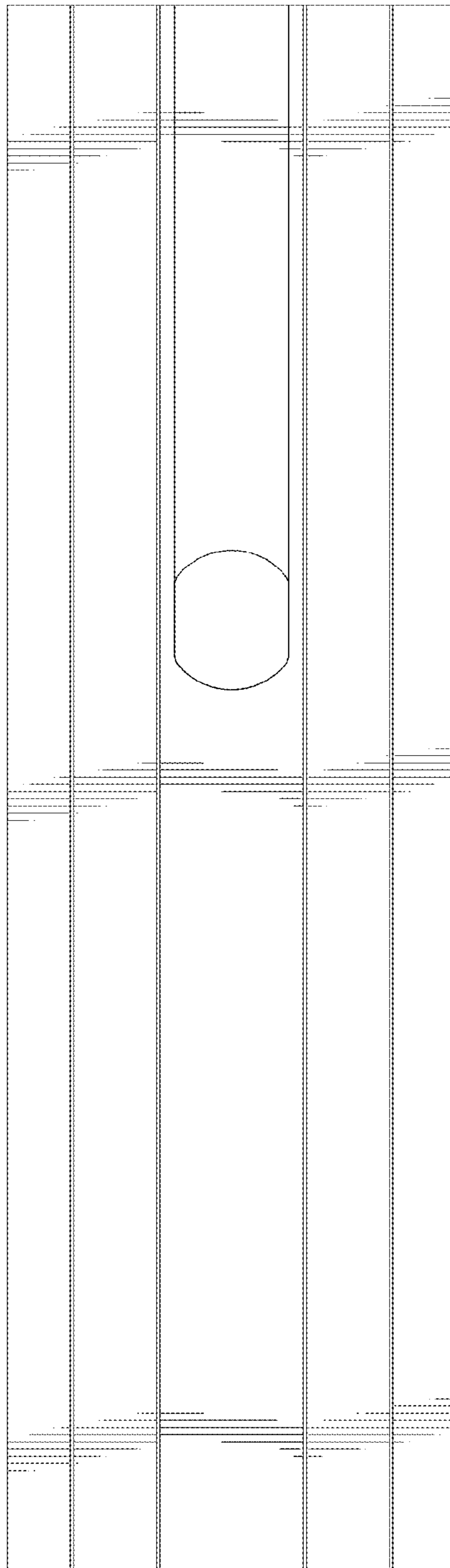


FIG. 4

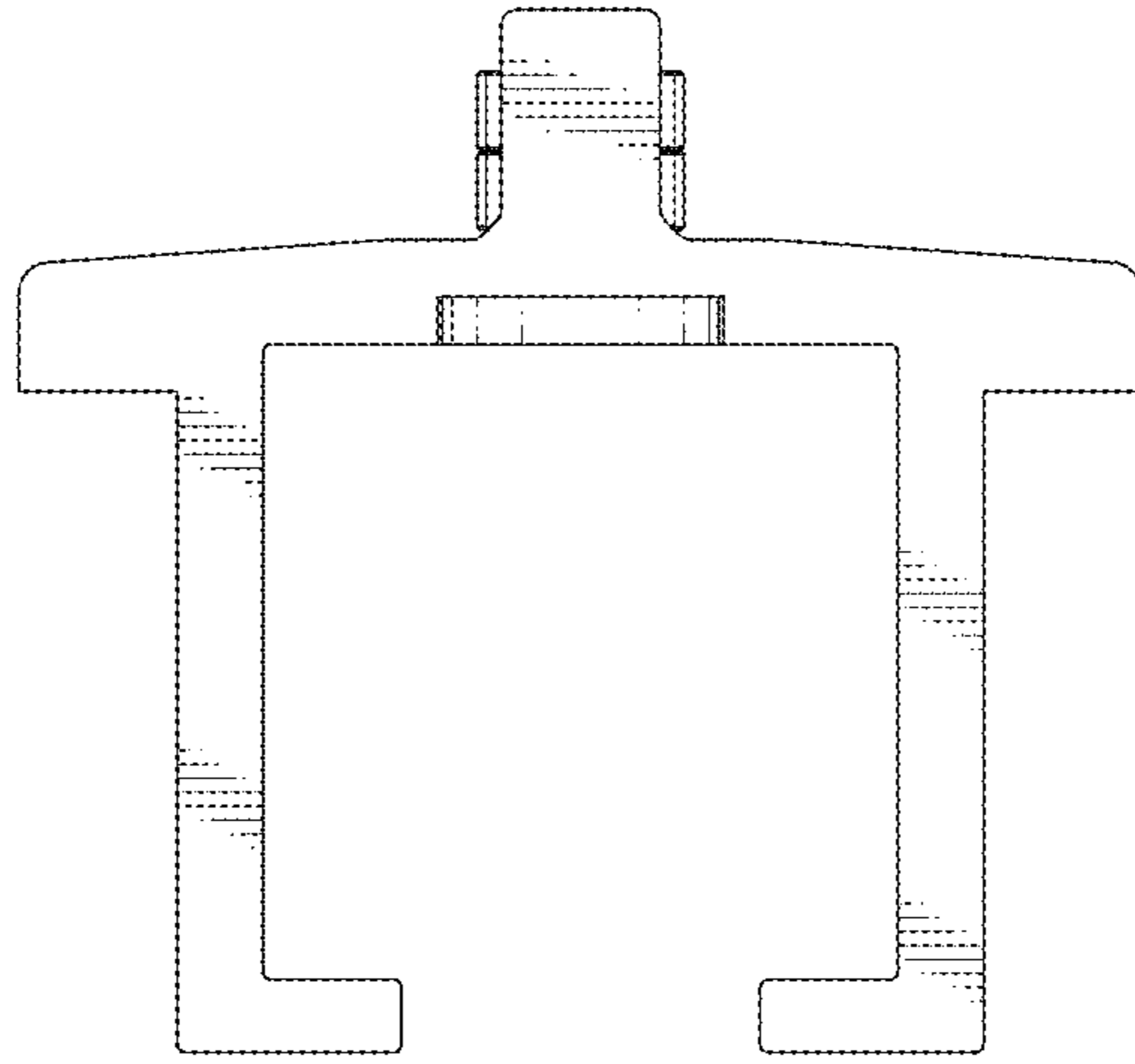


FIG. 5

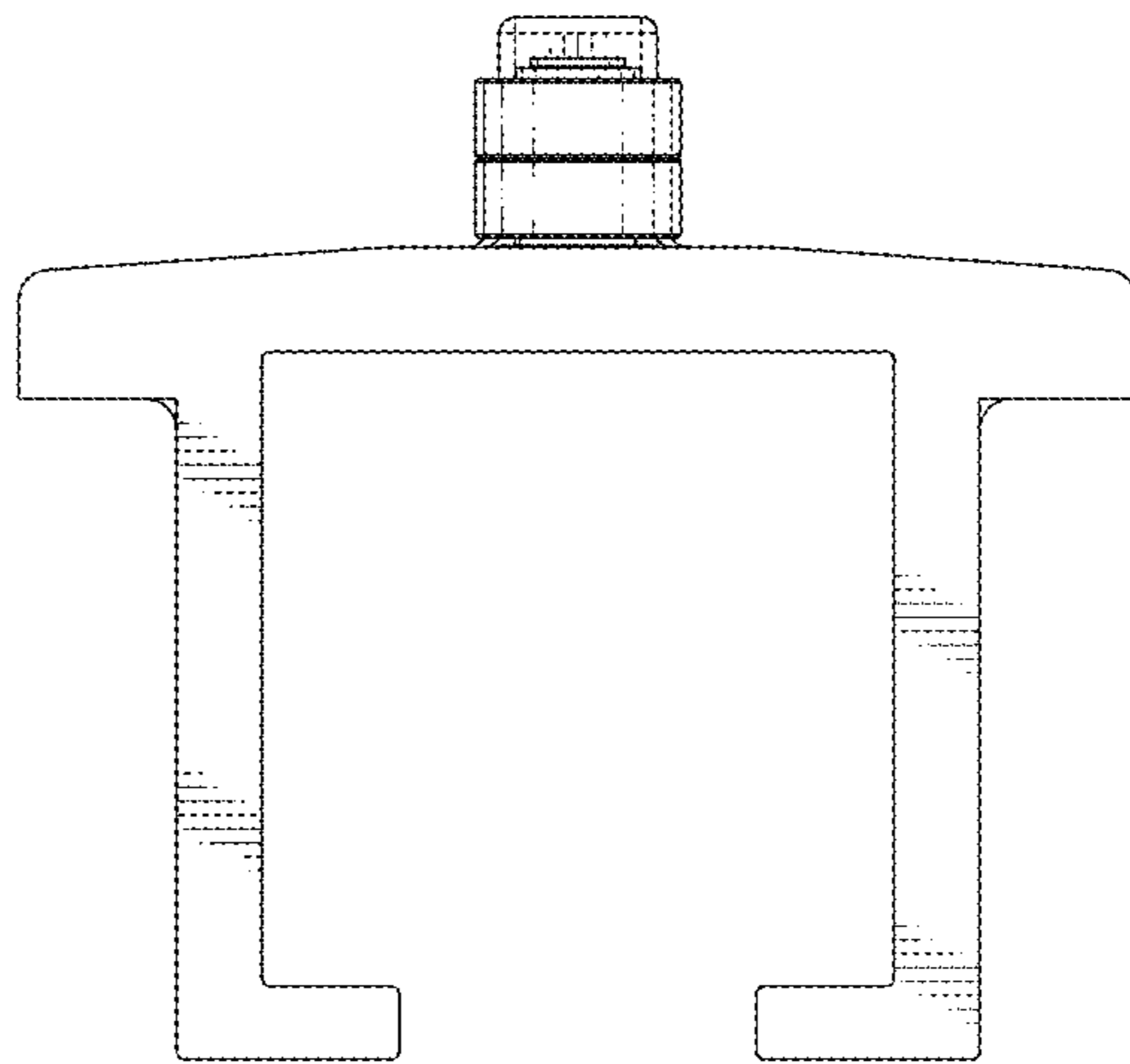


FIG. 6

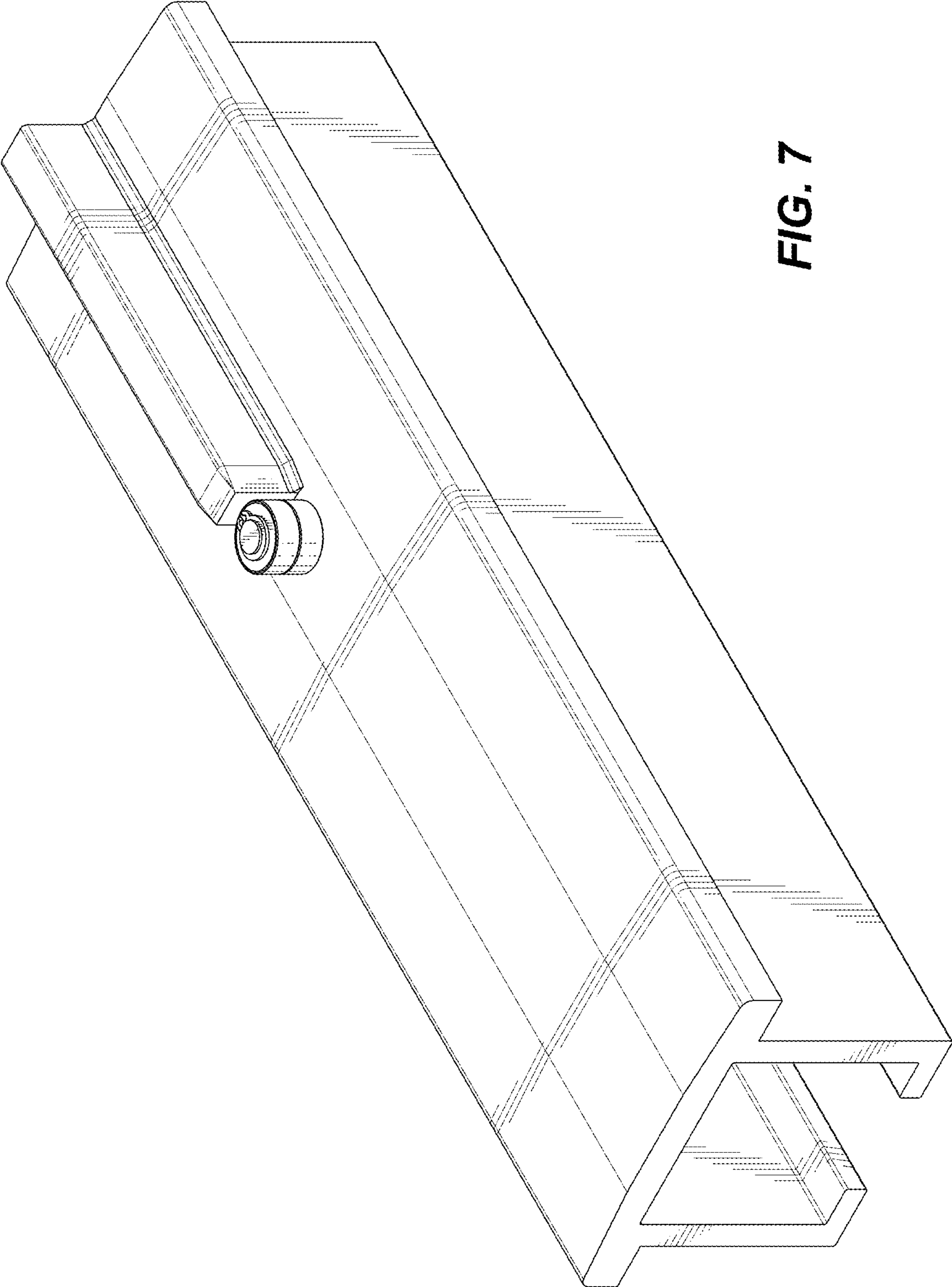


FIG. 7