



US00D897622S

(12) **United States Design Patent**
Klug et al.

(10) **Patent No.:** **US D897,622 S**

(45) **Date of Patent:** **** Sep. 29, 2020**

(54) **DRYING IMPLEMENT**

(71) Applicant: **DORAI HOME, INC.**, Salt Lake City,
UT (US)

(72) Inventors: **Jason Charles Klug**, Salt Lake City,
UT (US); **Aaron Basil Nelson**, Salt
Lake City, UT (US)

(73) Assignee: **DORAI HOME, INC**, Salt Lake City,
UT (US)

(**) Term: **15 Years**

(21) Appl. No.: **29/688,984**

(22) Filed: **Apr. 25, 2019**

(51) **LOC (12) Cl.** **07-05**

(52) **U.S. Cl.**
USPC **D32/57; D32/55**

(58) **Field of Classification Search**
USPC D32/55, 276, 3; D6/510, 525; D30/133;
211/41.5, 41.4, 41.3, 41.8; 361/679.4;
312/311, 333, 334.4; D7/354, 629
CPC .. A47L 15/505; A47L 15/503; A47L 15/0013;
A47L 19/02; A47L 19/04; A47J 47/20
See application file for complete search history.

(56) **References Cited**

U.S. PATENT DOCUMENTS

D413,700 S * 9/1999 Wang D32/55
D418,646 S * 1/2000 Hampshire D32/55

D446,369 S * 8/2001 Smith D32/55
D696,829 S * 12/2013 Huang D32/55
D732,256 S * 6/2015 Huang D32/55
D773,142 S * 11/2016 Green A47L 19/00
D32/55
D776,386 S * 1/2017 Green D32/55
D781,018 S * 3/2017 Evans D32/55
D830,657 S * 10/2018 Green D32/55
D891,018 S * 7/2020 Evans D32/55

* cited by examiner

Primary Examiner — Austin Murphy

(74) *Attorney, Agent, or Firm* — David A Jones; Nadesan
Beck P.C.

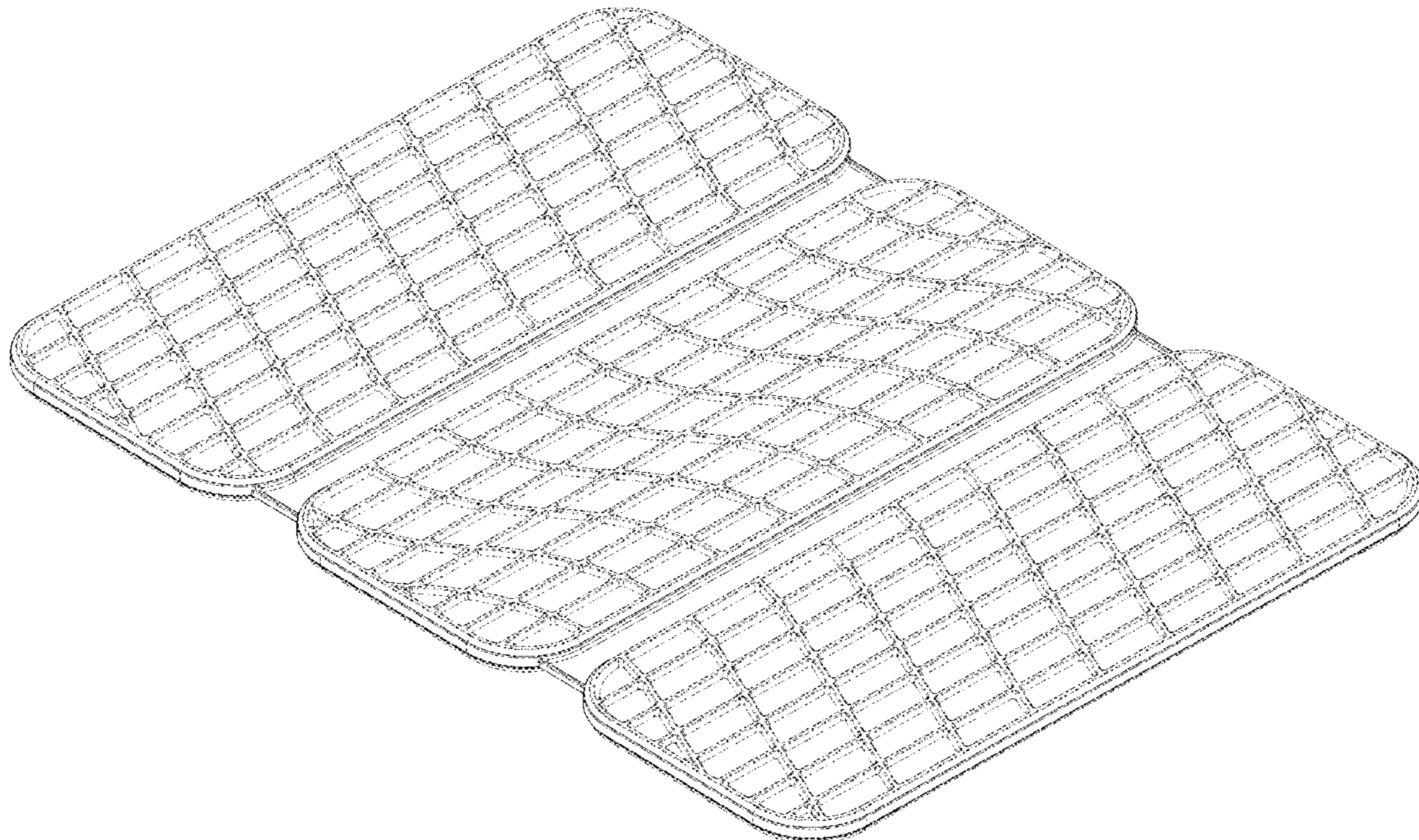
(57) **CLAIM**

The ornamental design for a drying implement, as shown
and described.

DESCRIPTION

FIG. 1 is a front-top perspective view of the drying imple-
ment showing our new design;
FIG. 2 is a front view thereof;
FIG. 3 is a back view thereof;
FIG. 4 is a right side view thereof, the left side thereof being
identical to the right side; and,
FIG. 5 is a top view thereof, the bottom side thereof being
identical to the top view.
The broken lines in the figures form no part of the claimed
design.

1 Claim, 5 Drawing Sheets



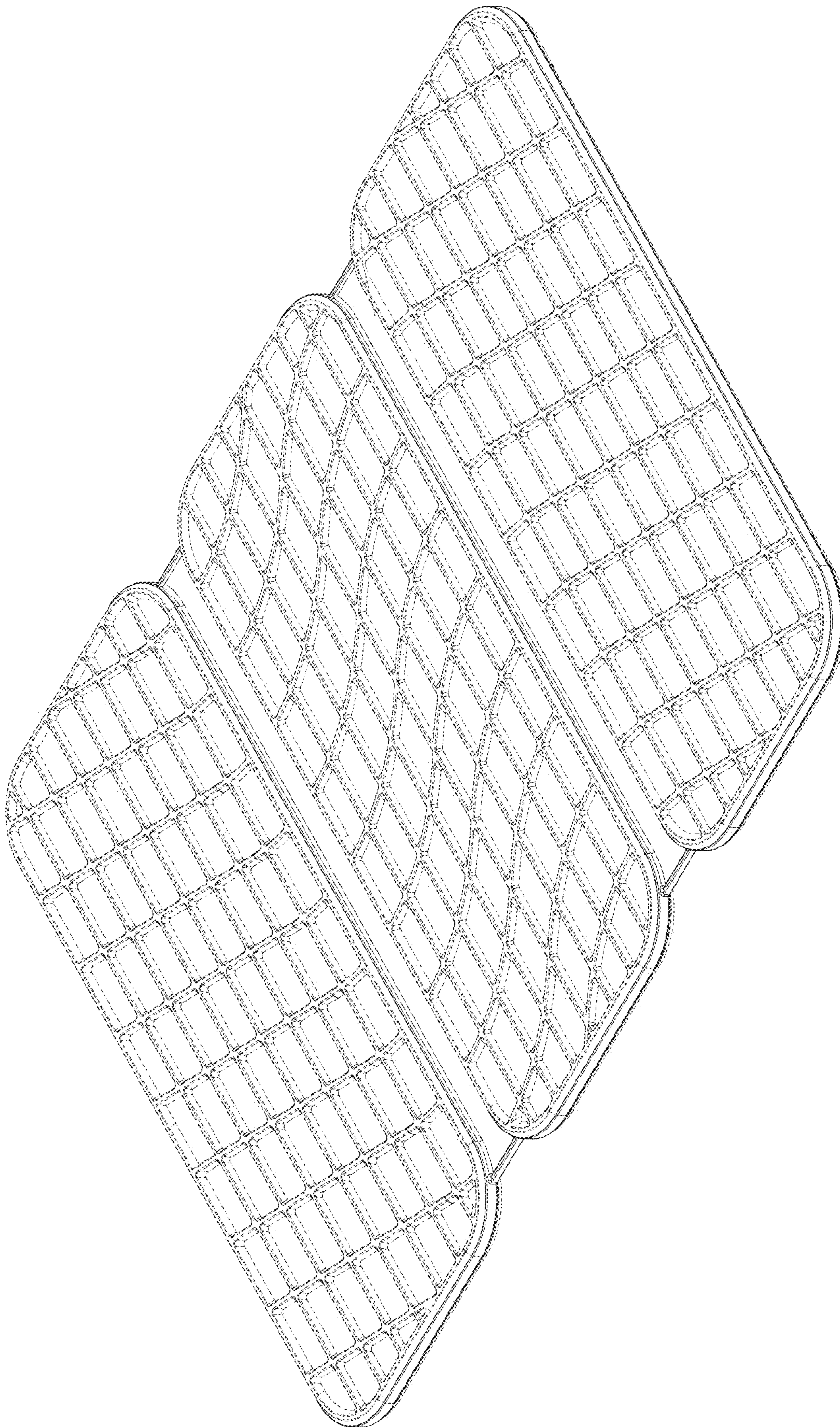


FIG. 1

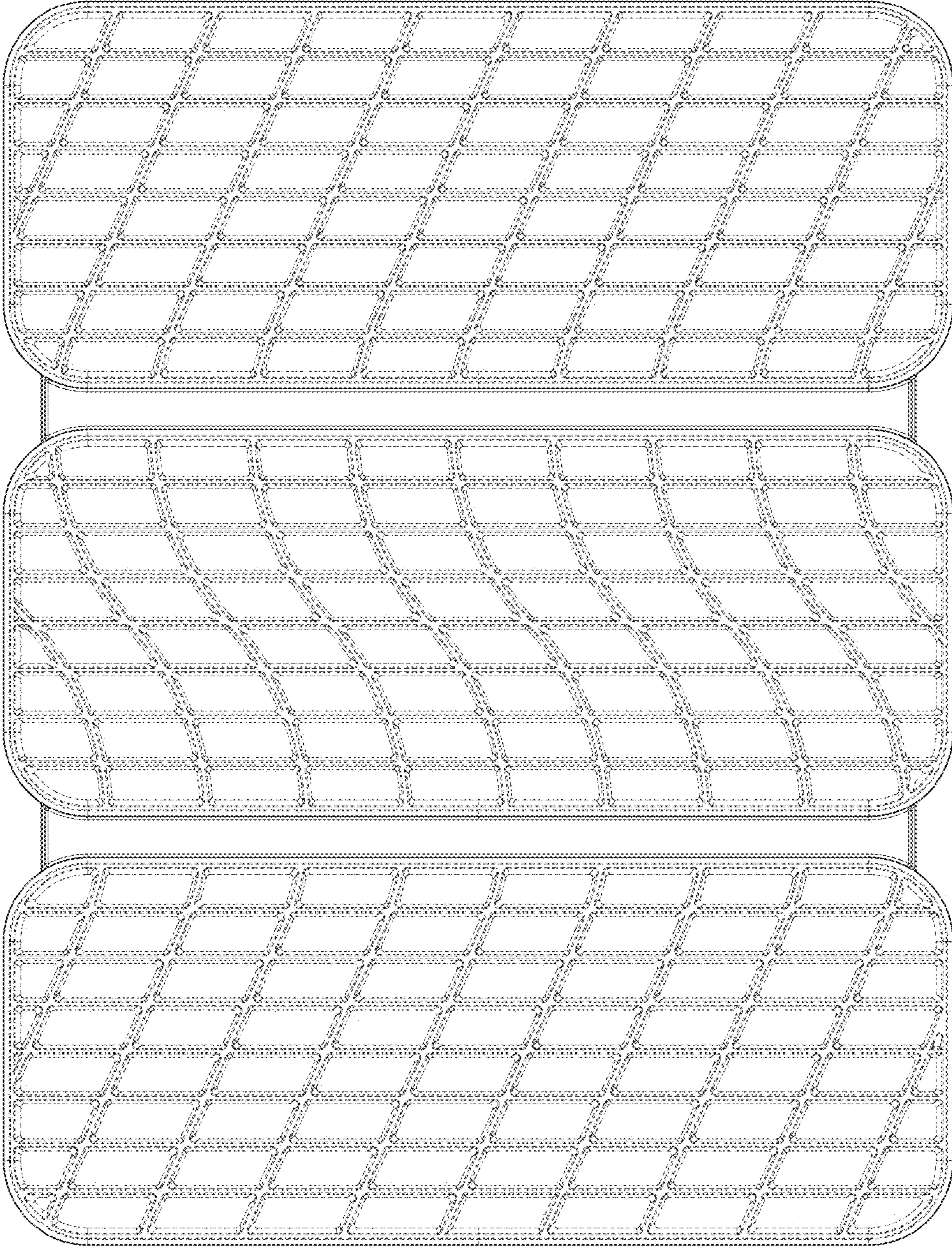


FIG. 2

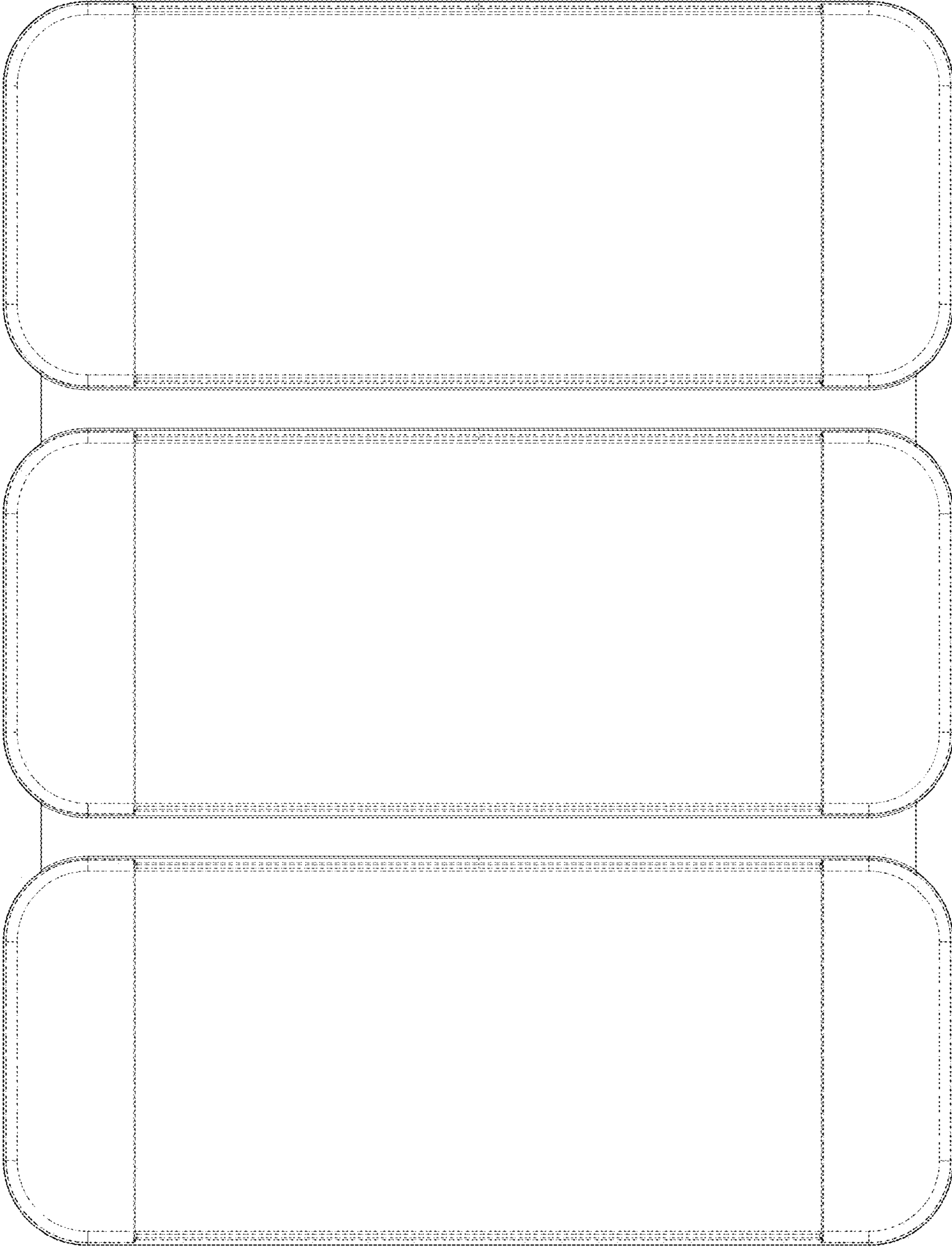


FIG. 3

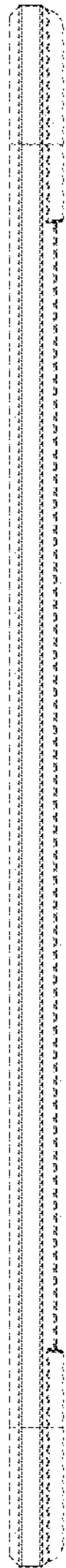


FIG. 4

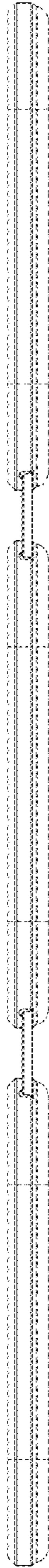


FIG. 5