



US00D897621S

(12) **United States Design Patent**  
**Klug et al.**

(10) **Patent No.:** **US D897,621 S**

(45) **Date of Patent:** **\*\* Sep. 29, 2020**

(54) **DISH RACK**

(71) Applicant: **DORAI HOME, INC.**, Salt Lake City,  
UT (US)

(72) Inventors: **Jason Charles Klug**, Salt Lake City,  
UT (US); **Aaron Basil Nelson**, Salt  
Lake City, UT (US)

(73) Assignee: **DORAI HOME, INC.**, Salt Lake City,  
UT (US)

(\*\*) Term: **15 Years**

(21) Appl. No.: **29/689,766**

(22) Filed: **May 1, 2019**

(51) **LOC (12) Cl.** ..... **07-05**

(52) **U.S. Cl.**  
USPC ..... **D32/55**

(58) **Field of Classification Search**  
USPC ..... D32/55, 276, 3; D6/510, 525; D30/133;  
211/41.5, 41.4, 41.3, 41.8; 361/679.4;  
312/311, 333, 334.4; D7/354, 629  
CPC .. A47L 15/505; A47L 15/503; A47L 15/0013;  
A47L 19/02; A47L 19/04; A47J 47/20  
See application file for complete search history.

(56) **References Cited**

**U.S. PATENT DOCUMENTS**

D693,081 S \* 11/2013 Yang ..... D32/55  
D699,413 S \* 2/2014 Huang ..... D32/55

D706,510 S \* 6/2014 Lerner ..... D32/55  
D762,035 S \* 7/2016 Cooper ..... D32/55  
D787,769 S \* 5/2017 Evans ..... D32/55  
D819,289 S \* 5/2018 Umholtz ..... D32/55  
D820,543 S \* 6/2018 Huang ..... D32/55  
D846,220 S \* 4/2019 Kraemer ..... D32/55  
D871,703 S \* 12/2019 Huang ..... D32/55  
D882,198 S \* 4/2020 Benishai ..... D32/55  
D891,018 S \* 7/2020 Evans ..... D32/55

\* cited by examiner

*Primary Examiner* — Austin Murphy

(74) *Attorney, Agent, or Firm* — David A. Jones; Nadesan Beck P.C.

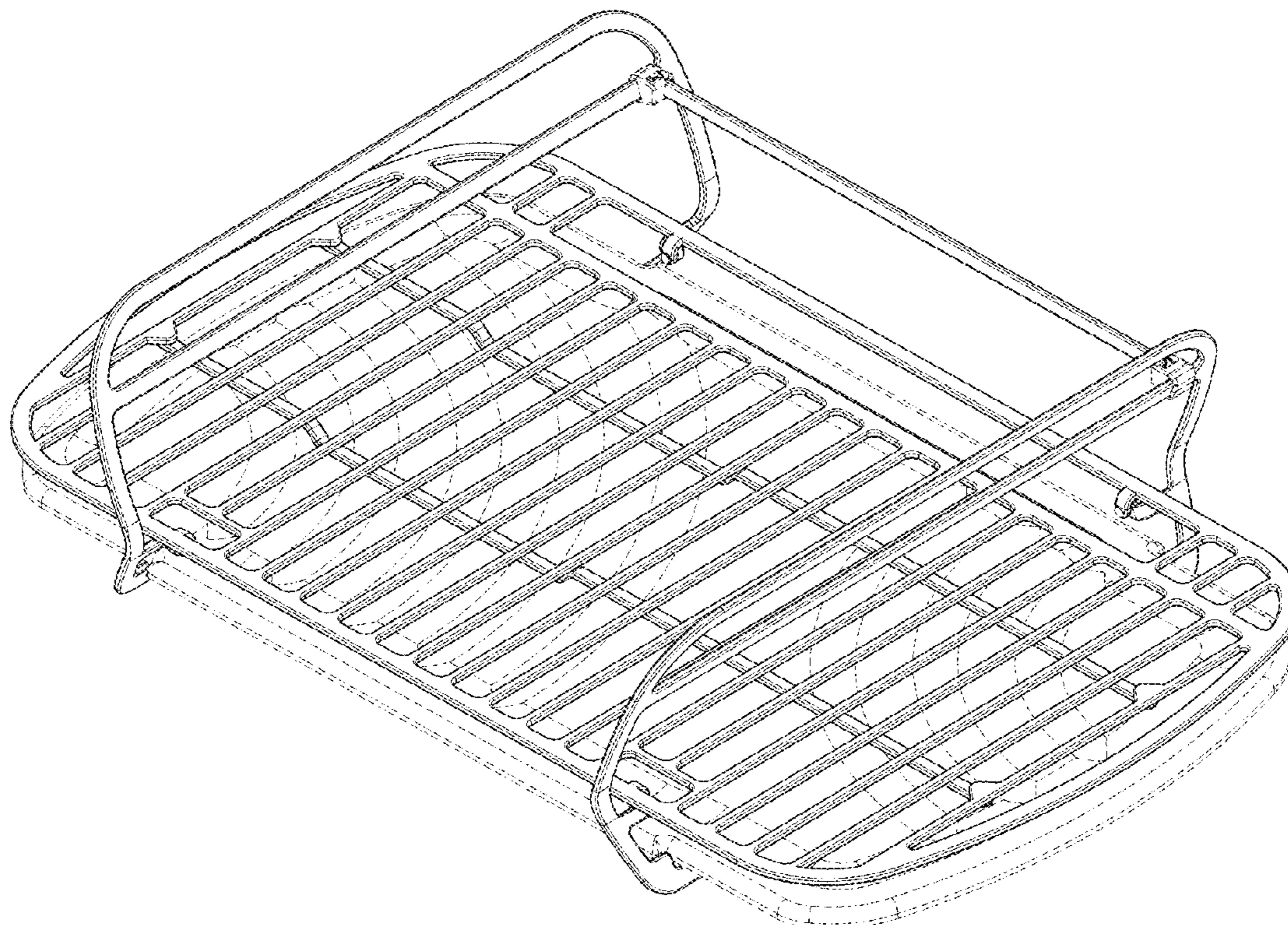
(57) **CLAIM**

The ornamental design for a dish rack, as shown and described.

**DESCRIPTION**

FIG. 1 is a front-top perspective view of the dish rack showing our new design;  
FIG. 2 is a front elevation view thereof;  
FIG. 3 is a back elevation view thereof;  
FIG. 4 is a right side view thereof;  
FIG. 5 is a left side view thereof;  
FIG. 6 is a top view thereof;  
FIG. 7 is a bottom view thereof; and,  
FIG. 8 is a front-top exploded view thereof.  
The broken lines in the figures show a drain tray and portions of the dish rack that form no part of the claimed design.

**1 Claim, 8 Drawing Sheets**



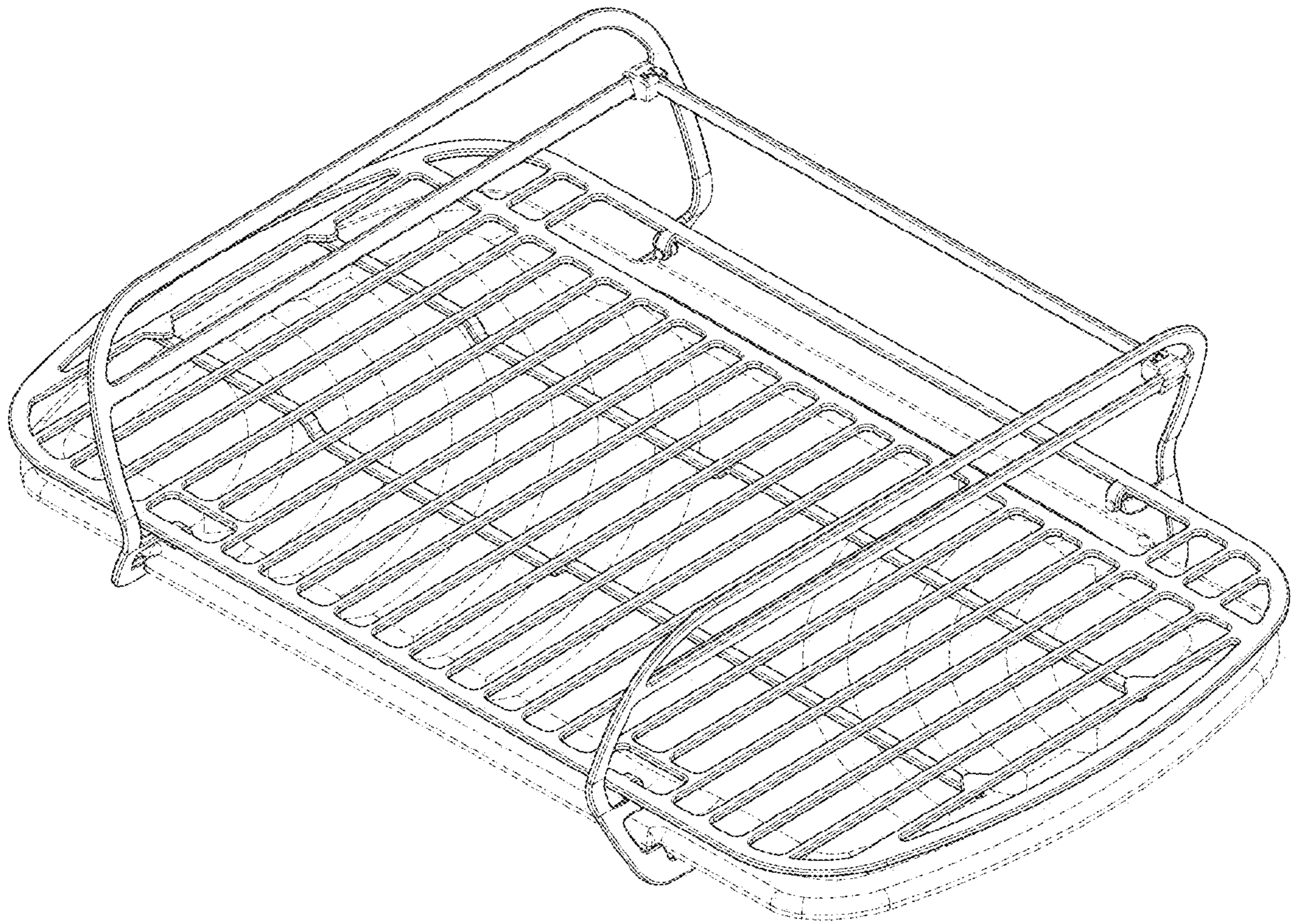


FIG. 1

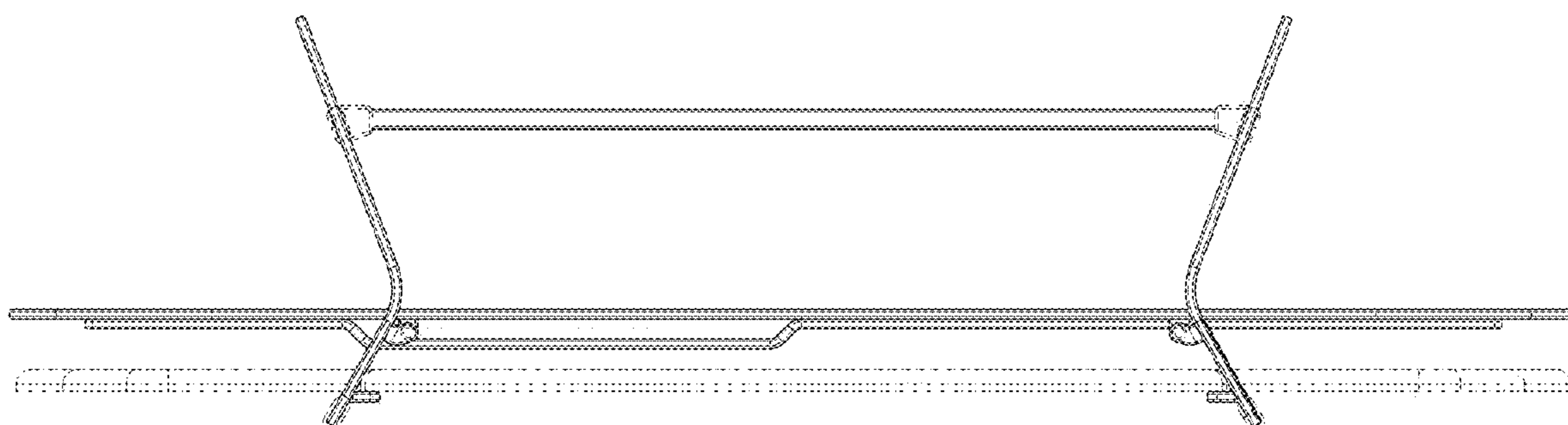


FIG. 2

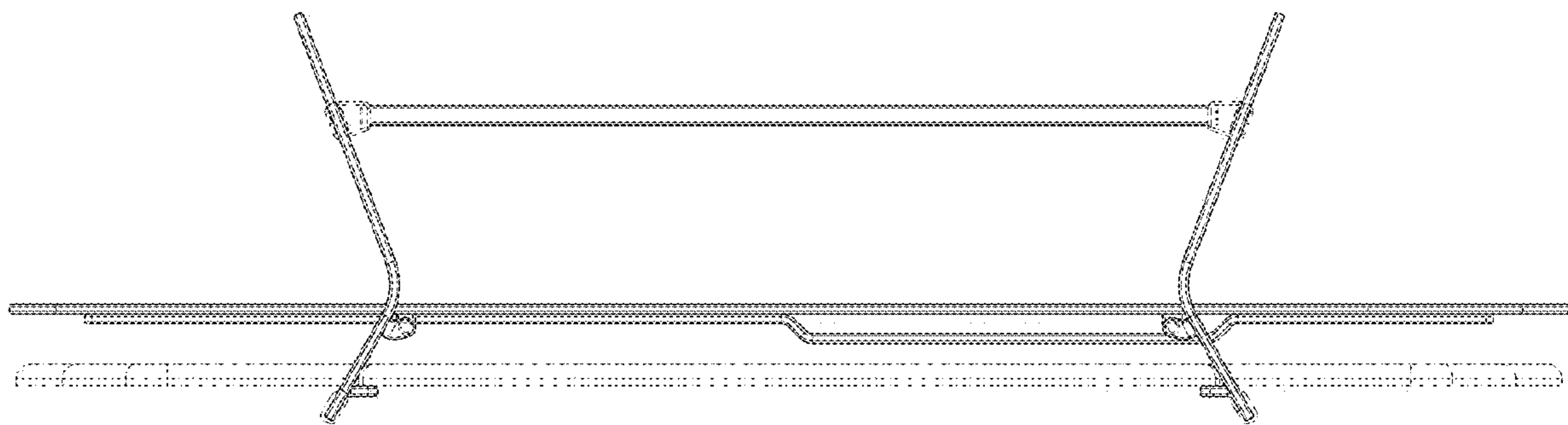


FIG. 3

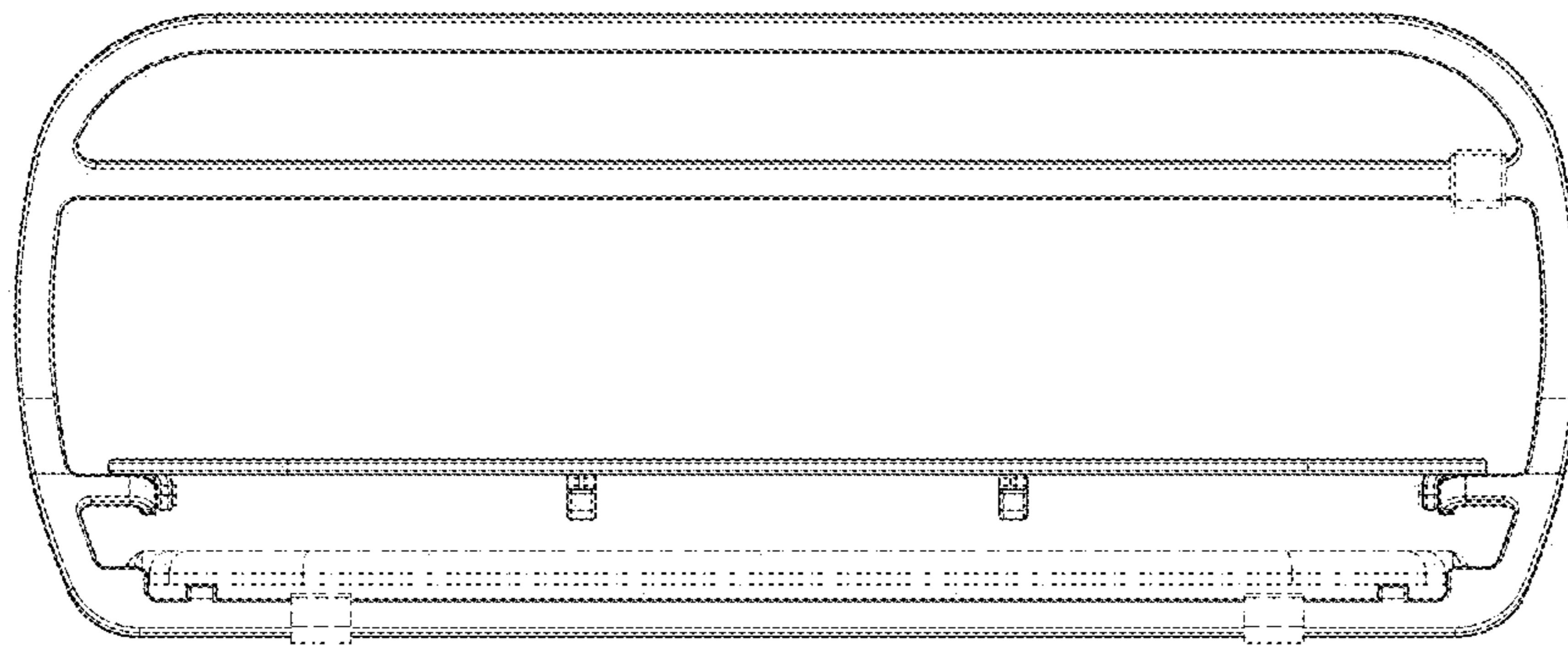


FIG. 4

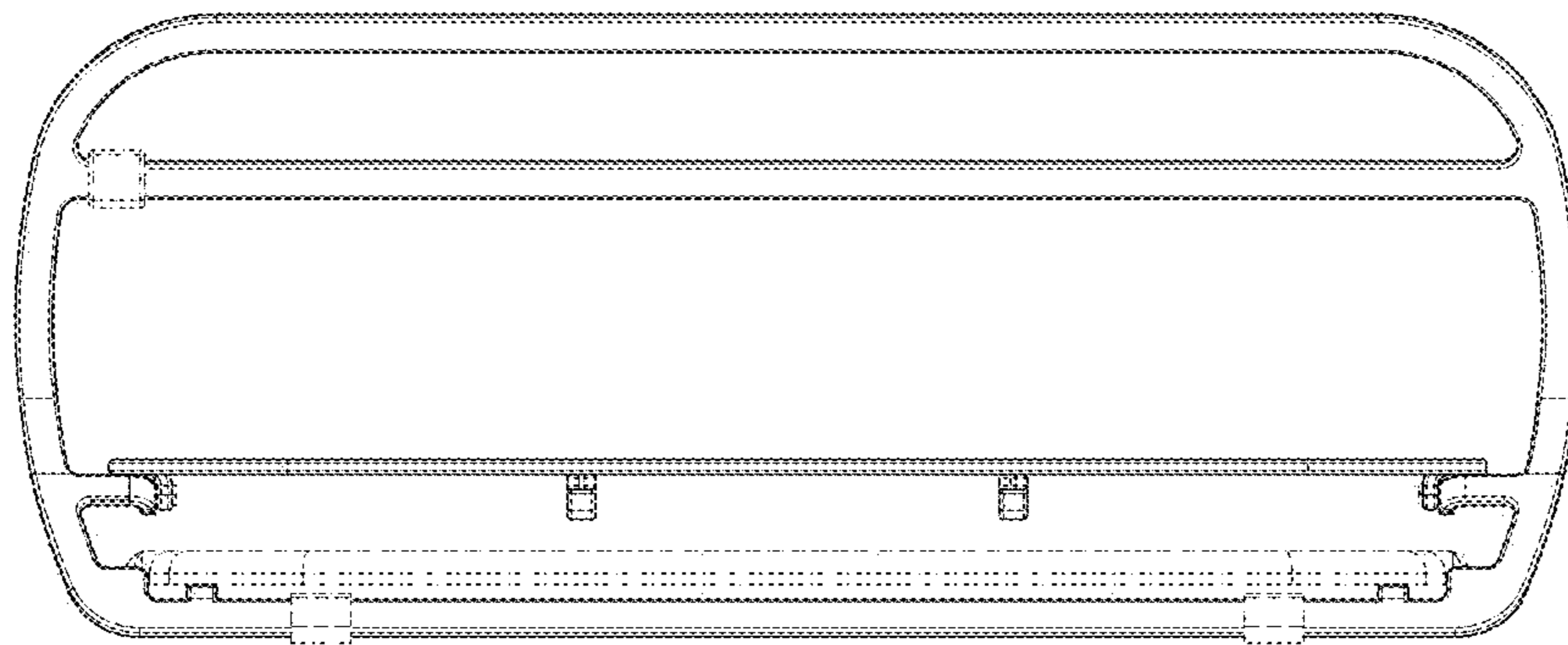


FIG. 5

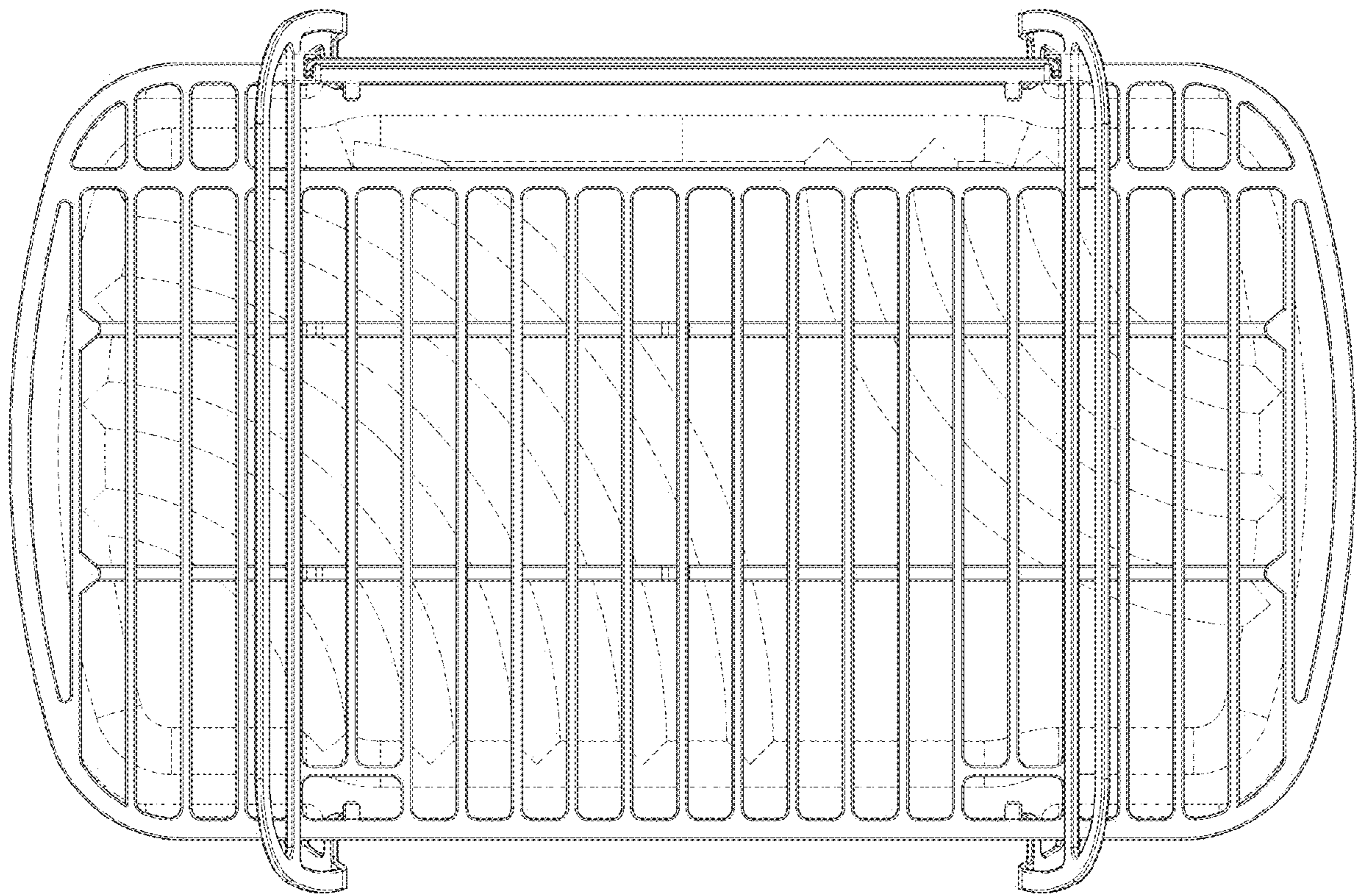


FIG. 6

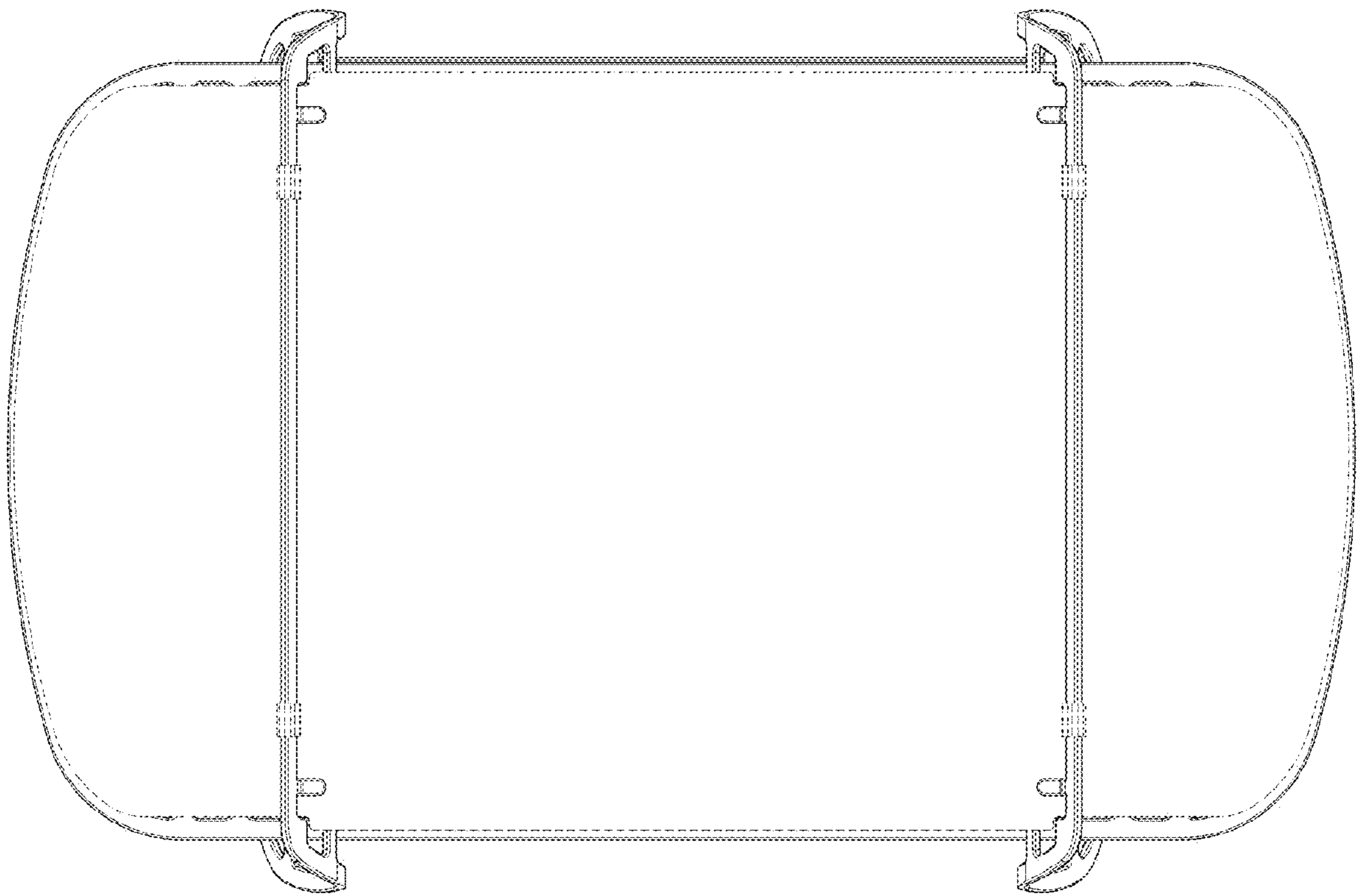


FIG. 7



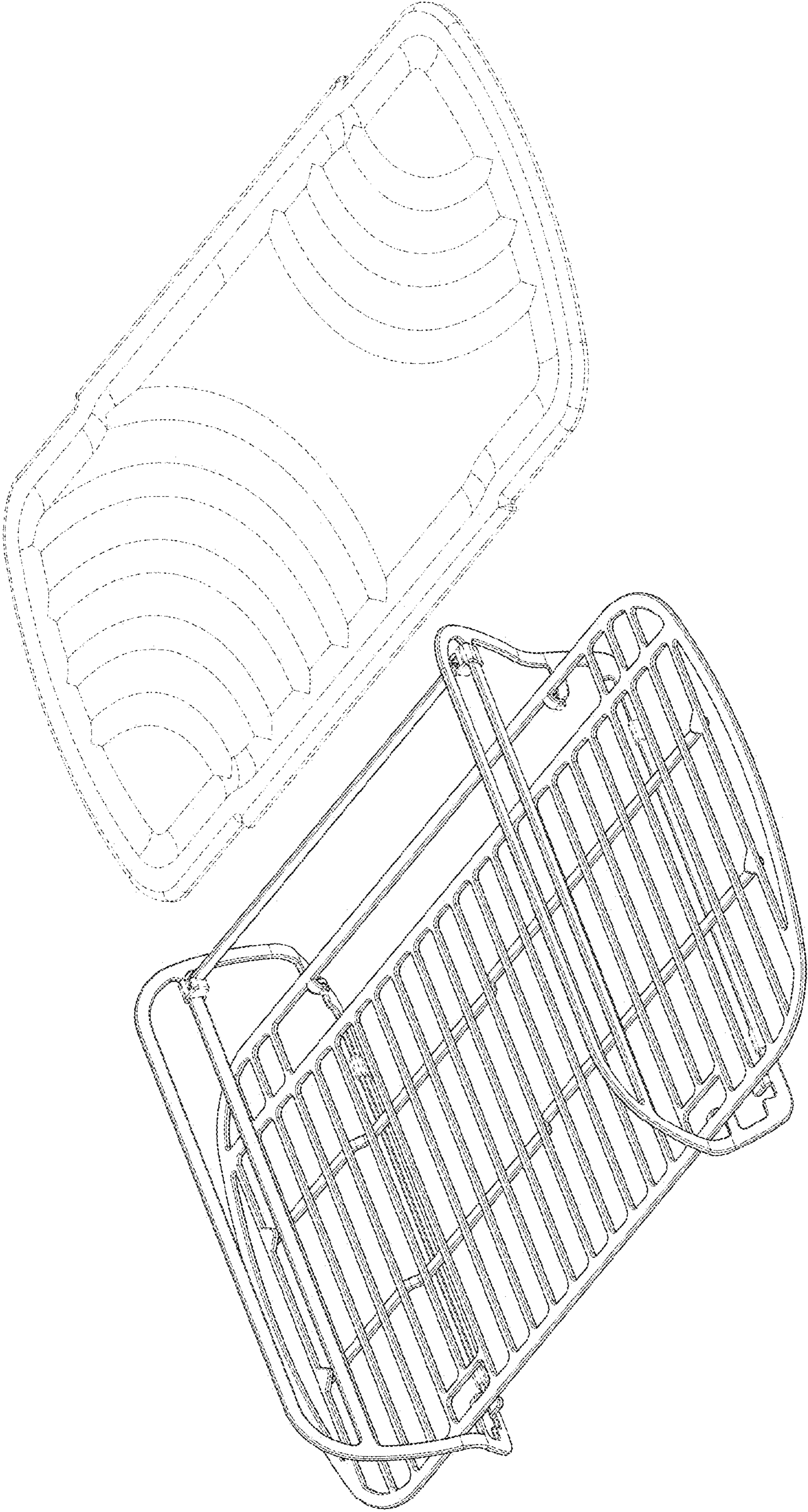


FIG. 8