

US00D897620S

(12) **United States Design Patent**
Libman et al.

(10) **Patent No.:** **US D897,620 S**

(45) **Date of Patent:** **** Sep. 29, 2020**

(54) **BROOM**

(71) Applicant: **The Libman Company**, Arcola, IL (US)

(72) Inventors: **Andrew Libman**, Arcola, IL (US);
Carlos Aguiar, Arcola, IL (US);
Fernando Santos, Arcola, IL (US);
Aaron Libman, Arcola, IL (US); **Jon Franklin**, Arcola, IL (US)

(73) Assignee: **The Libman Company**, Arcola, IL (US)

(**) Term: **15 Years**

(21) Appl. No.: **35/507,265**

(22) Filed: **Feb. 19, 2019**

(80) **Hague Agreement Data**

Int. Filing Date: **Feb. 19, 2019**

Int. Reg. No.: **DM/202246**

Int. Reg. Date: **Feb. 19, 2019**

Int. Reg. Pub. Date: **Aug. 16, 2019**

(51) **LOC (12) Cl.** **32-01**

(52) **U.S. Cl.**

USPC **D32/50**

(58) **Field of Classification Search**

USPC D32/40-45, 50-52

CPC A46B 2200/302; A46B 17/08; A46B

2200/3026; A46B 2200/3033; A46B

5/0095; A46B 5/021; A46B 7/044; A46B

7/046; A46B 7/048; A46B 9/02; A47L

11/24; A47L 11/4038; A47L 11/4044;

A47L 11/4055; A47L 13/256; A47L

13/44; A47L 11/16; A47L 11/283; A47L

11/302; A47L 11/305; A47L 11/4008;

A47L 11/4013; A47L 11/4016; A47L

11/4041; A47L 11/4061; A47L 11/4077;

A47L 11/4083; A47L 5/16; A47L 5/24;

A47L 5/28; A47L 9/00; A47L 9/02; A47L

9/0673; A47L 9/104; A47L 9/106; A47L

9/12; A47L 9/14; A47L 9/1641; A47L
9/1683; A47L 9/1691; A47L 9/22; A47L
9/281; A47L 9/2842; A47L 9/2857; A47L
9/2868; A47L 9/2884; A47L 9/32; A47L
9/322; A46D 1/0207

See application file for complete search history.

(56) **References Cited**

U.S. PATENT DOCUMENTS

6,877,181 B2 *	4/2005	Laux	A46B 15/00 15/114
D759,329 S *	6/2016	Colangelo	D32/50
D796,139 S *	8/2017	Fortier	D32/50
D804,122 S *	11/2017	Larouche	D32/50
D826,499 S *	8/2018	Larouche	D32/50
D826,500 S *	8/2018	Larouche	D32/50
D832,542 S *	10/2018	Larouche	D32/50

(Continued)

Primary Examiner — Khawaja Anwar

(74) *Attorney, Agent, or Firm* — Banner & Witcoff, Ltd.

(57) **CLAIM**

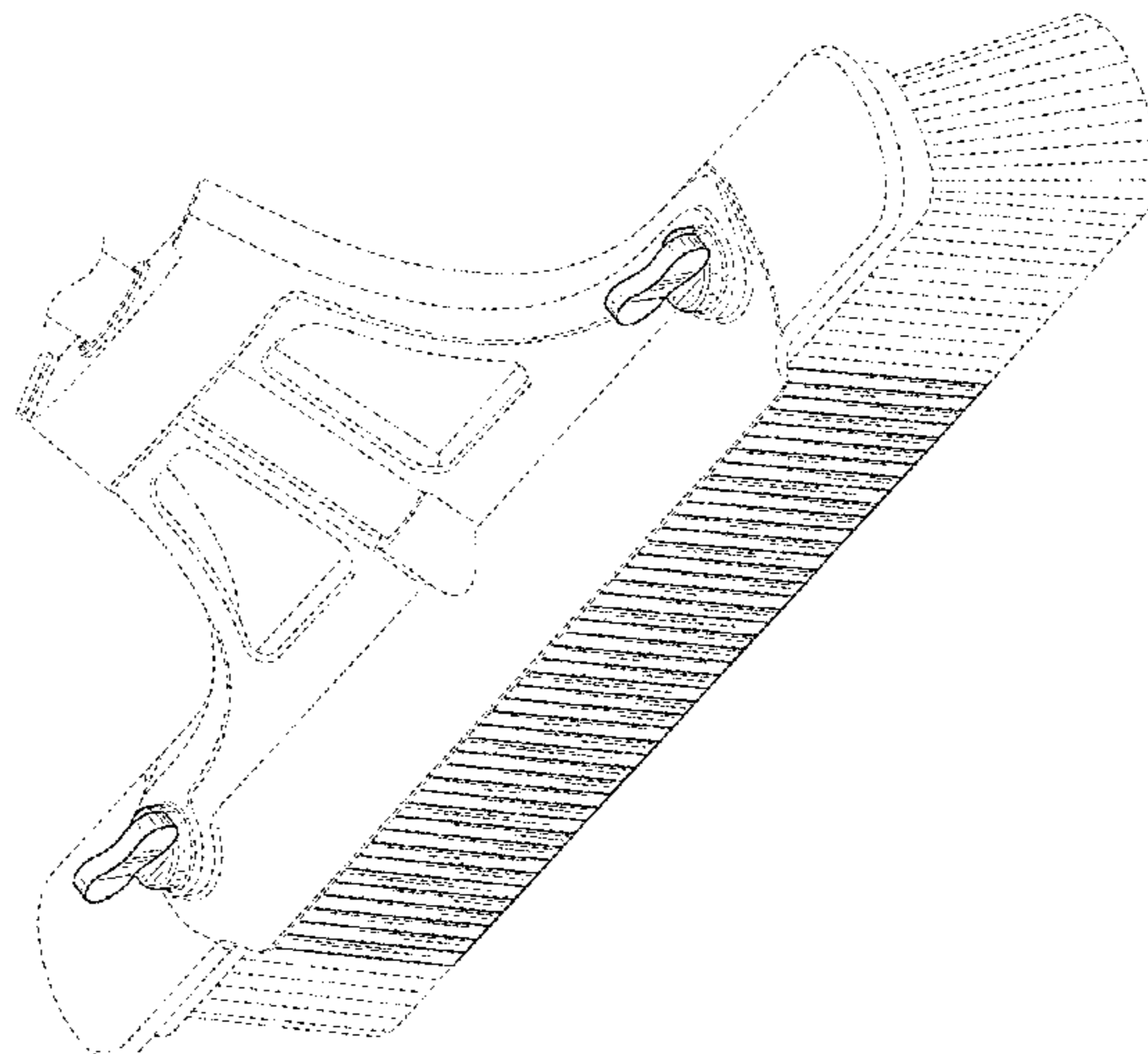
The ornamental design for a broom, as shown and described.

DESCRIPTION

- 1. Broom
- 1.1 : Perspective
- 1.2 : Front
- 1.3 : Back
- 1.4 : Right
- 1.5 : Bottom
- 1.6 : Top
- 1.7 : Right
- 1.8 : Enlarged partial perspective view

The broken lines immediately adjacent to the shaded area define boundaries of the claimed design and form no part thereof. The broken lines showing the remainder of the broom represent unclaimed subject matter and form no part of the claimed design.

1 Claim, 8 Drawing Sheets



(56)

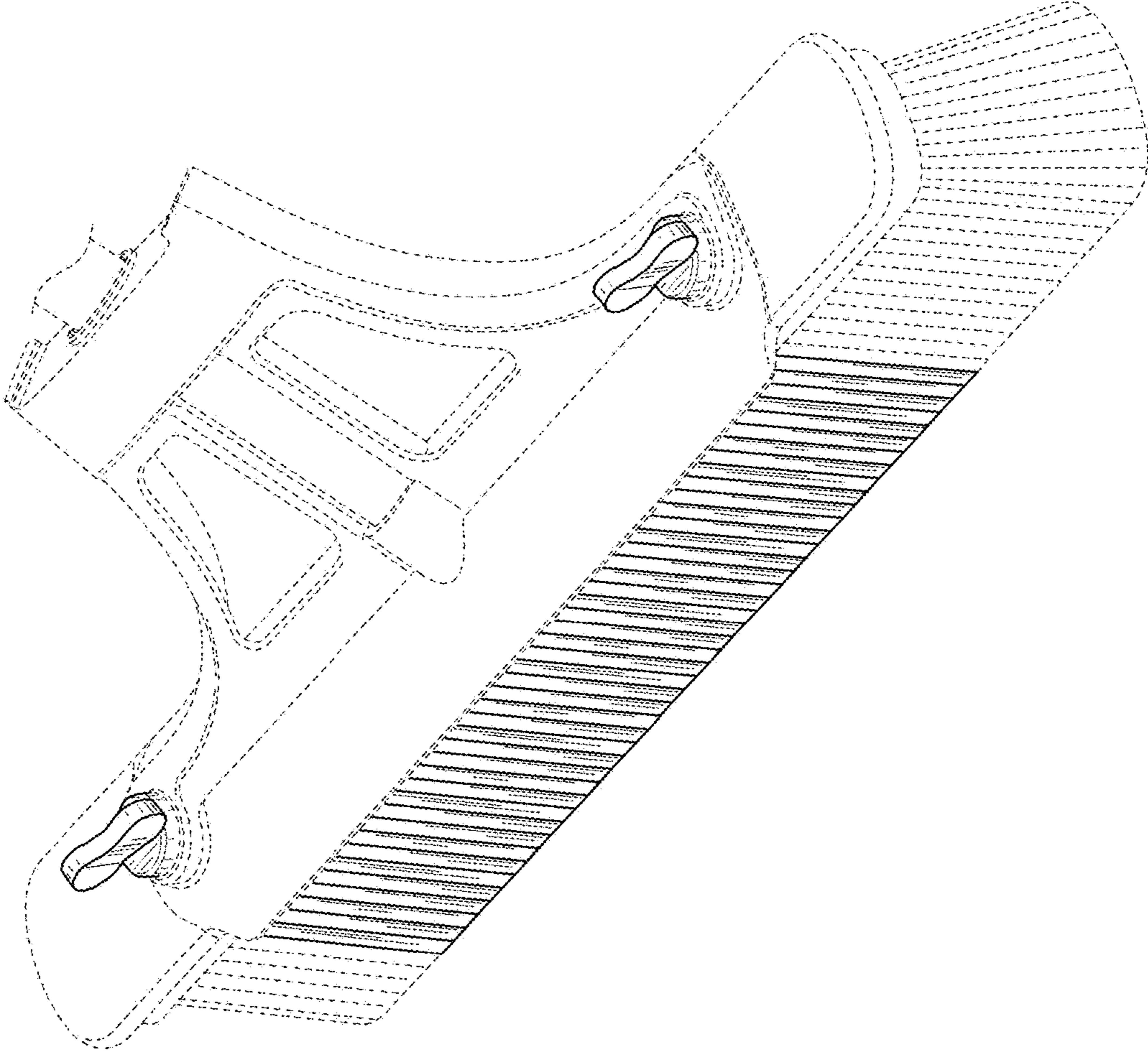
References Cited

U.S. PATENT DOCUMENTS

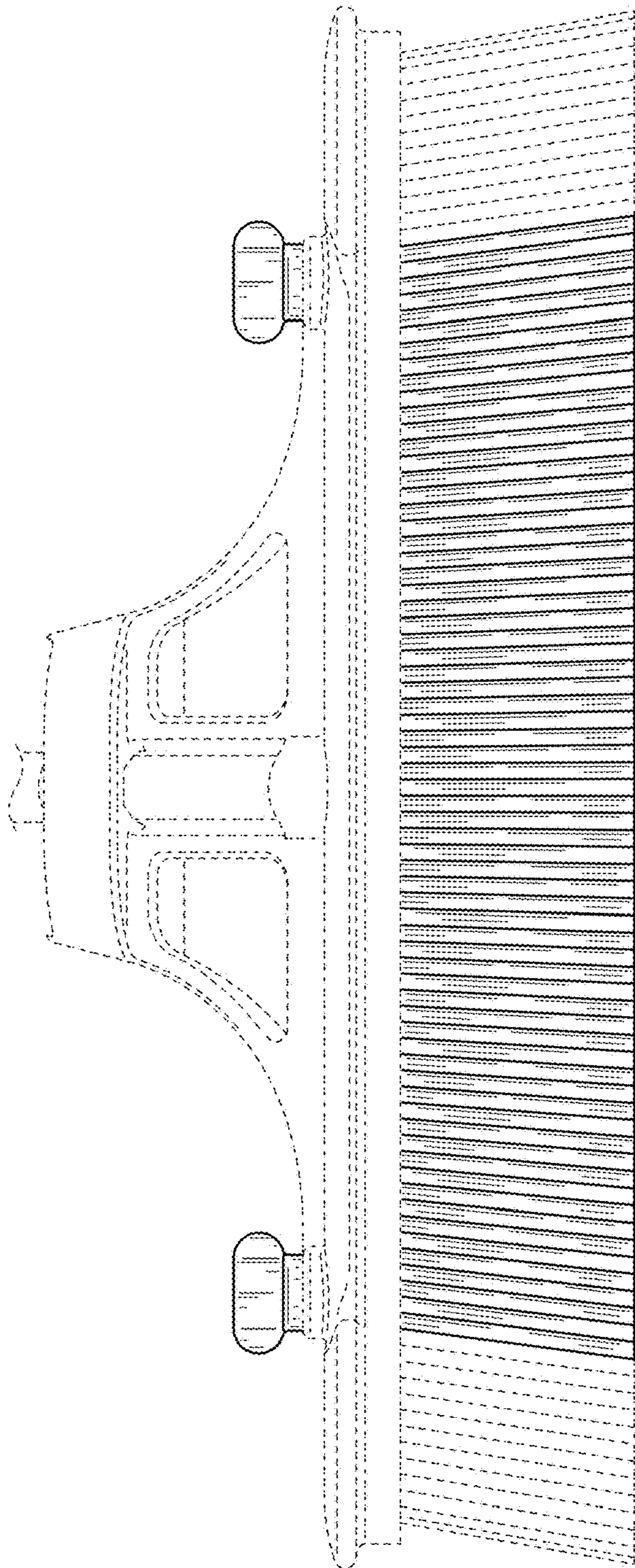
D833,099	S	*	11/2018	Lapalme	D32/50
D851,347	S	*	6/2019	Sunila	D32/50
D852,445	S	*	6/2019	Libman	D32/50
D871,005	S	*	12/2019	Young	D32/50
D871,006	S	*	12/2019	Schechter	D32/50
D873,519	S	*	1/2020	Chouikh	D32/50

* cited by examiner

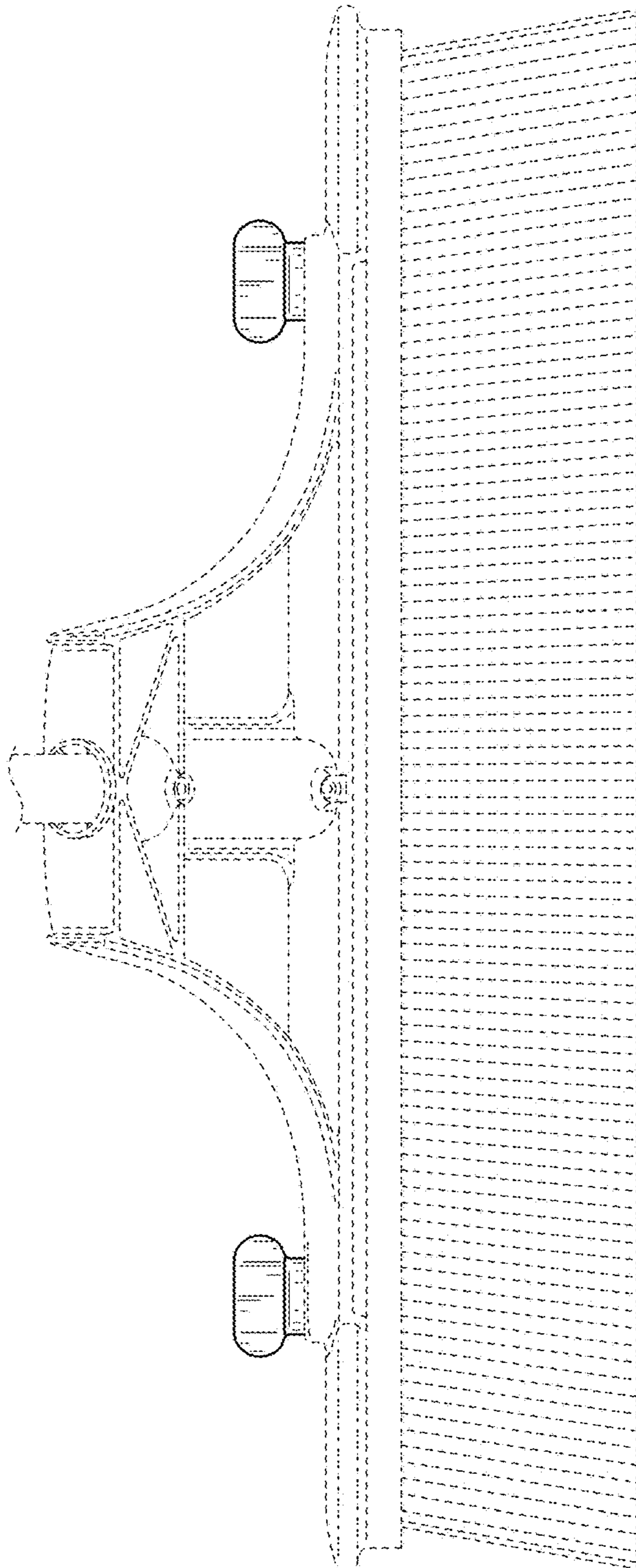
1.1



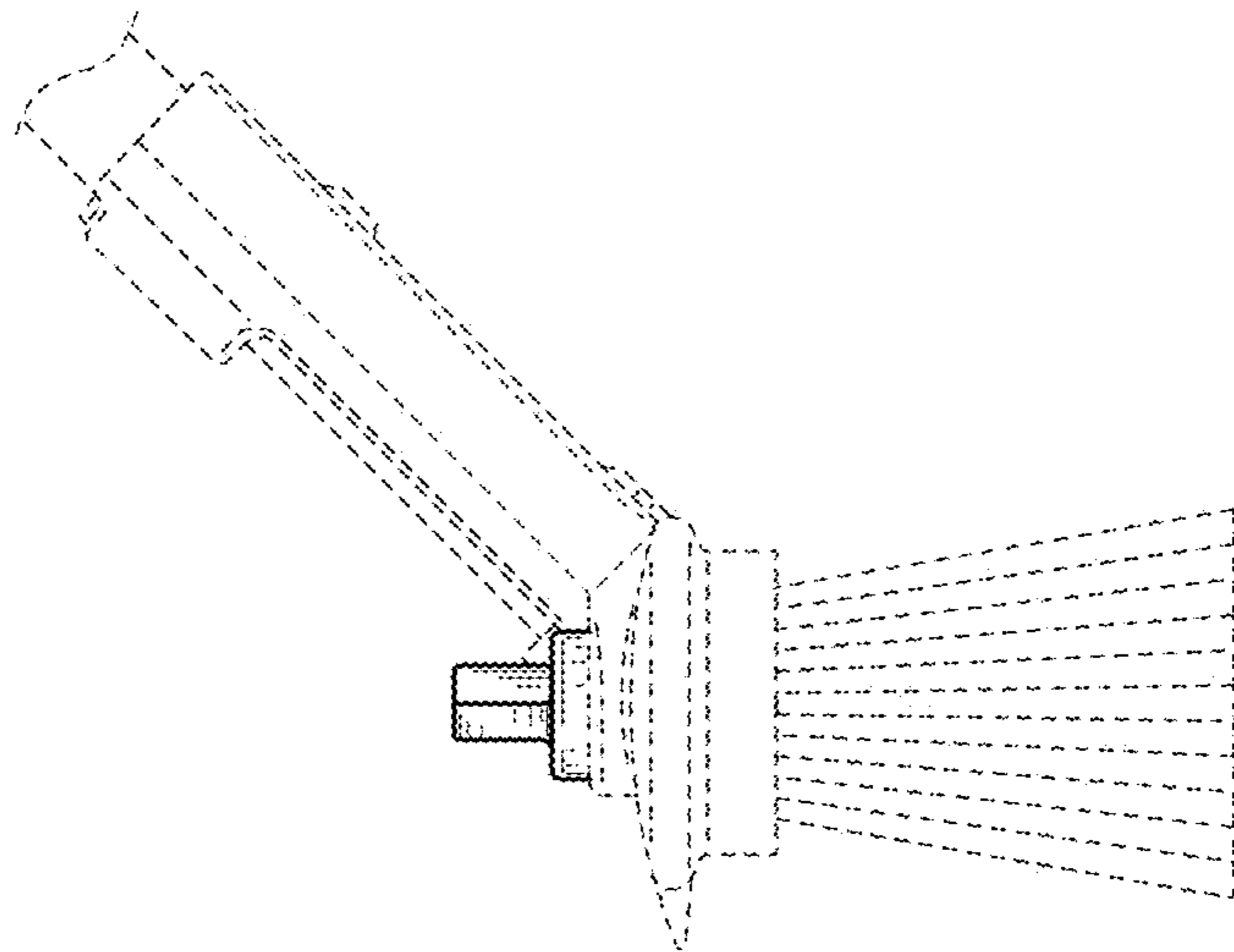
1.2



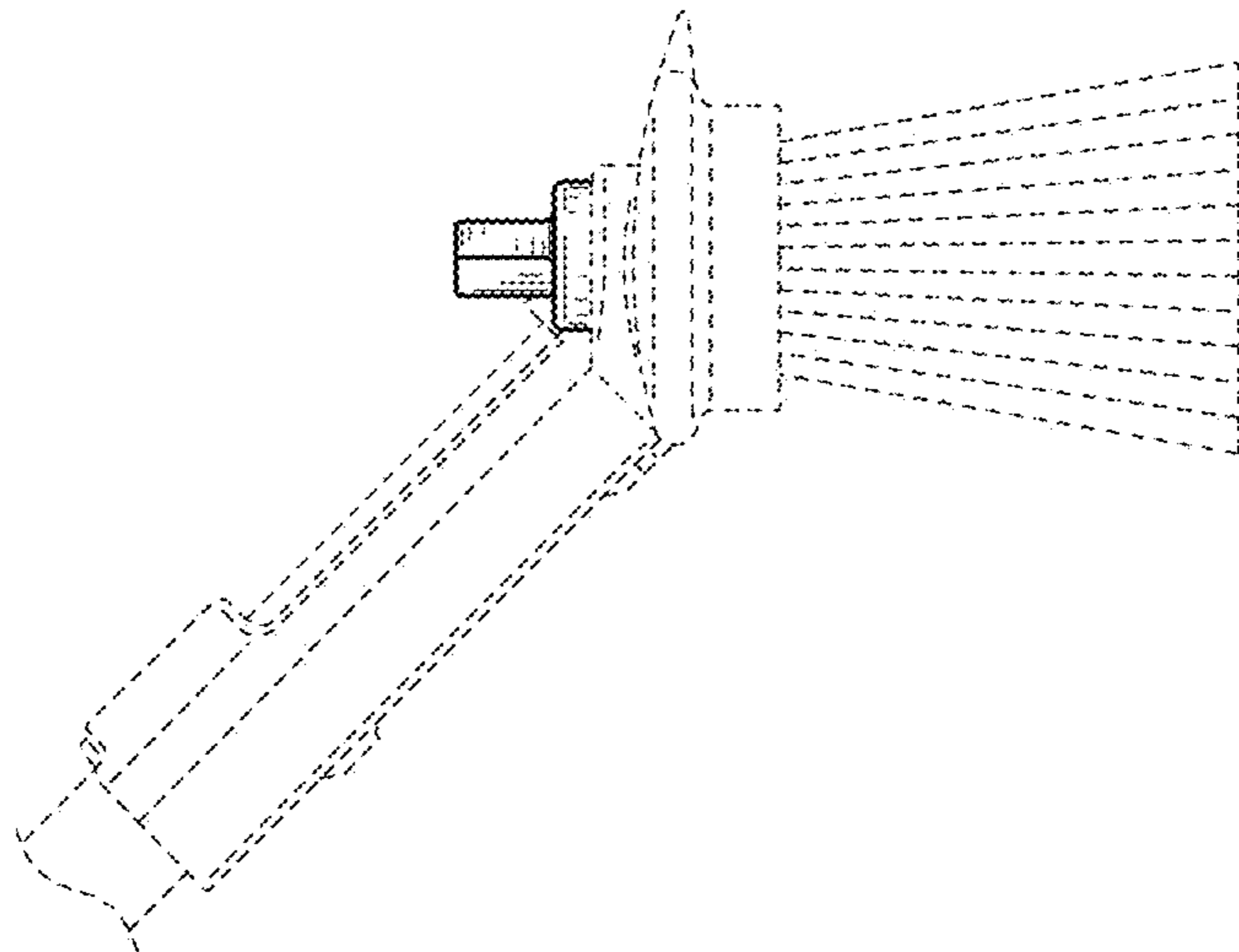
1.3



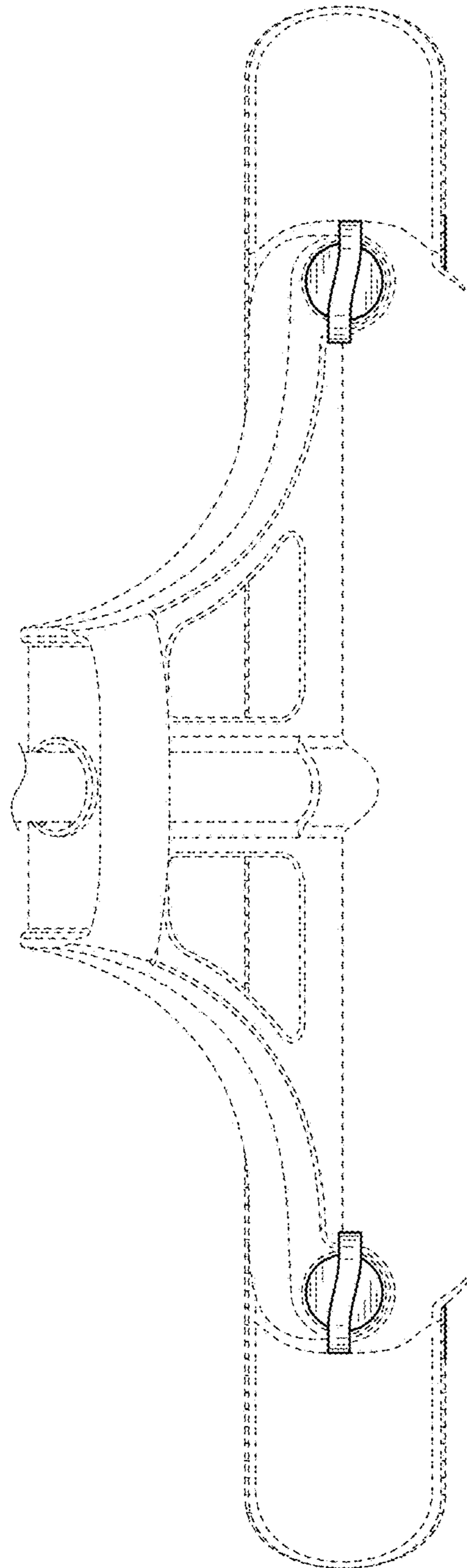
1.4



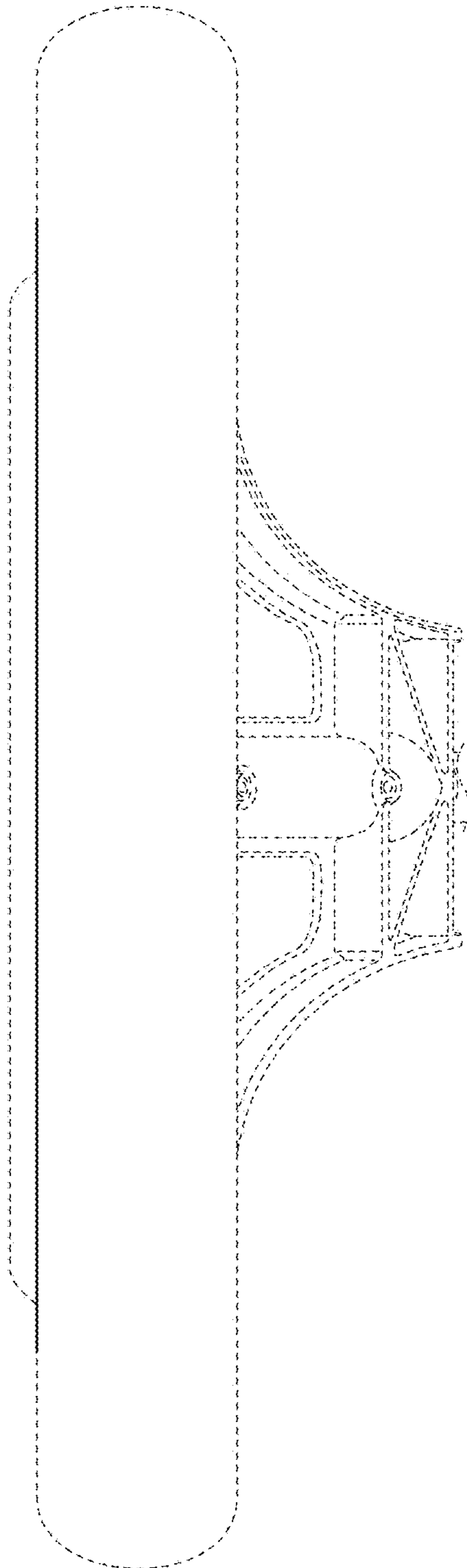
1.5



1.6



1.7



1.8

