



US00D897619S

(12) **United States Design Patent**  
**Sunila et al.**

(10) **Patent No.:** **US D897,619 S**

(45) **Date of Patent:** **\*\* Sep. 29, 2020**

(54) **BROOM** 3,034,165 A \* 5/1962 Christian ..... A47L 13/44  
15/247

(71) Applicant: **Fiskars Finland Oy Ab**, Helsinki (FI) 3,076,217 A \* 2/1963 Scholl ..... B25G 3/30  
15/145

(72) Inventors: **Timo Sunila**, Helsinki (FI); **Sami Lyytikäinen**, Helsinki (FI); **Petteri Masalin**, Helsinki (FI) D206,571 S 1/1967 Herman  
3,828,386 A 8/1974 Roth  
D232,617 S \* 9/1974 Albrecht ..... D32/50  
(Continued)

(73) Assignee: **FISKARS FINLAND OY AB**, Helsinki (FI)

(\*\*) Term: **15 Years**

(21) Appl. No.: **29/664,997**

(22) Filed: **Sep. 28, 2018**

**Related U.S. Application Data**

(62) Division of application No. 29/617,956, filed on Sep. 18, 2017, now Pat. No. Des. 851,347.

(30) **Foreign Application Priority Data**

Mar. 21, 2017 (EM) ..... 003814540

(51) **LOC (12) Cl.** ..... **07-05**

(52) **U.S. Cl.**  
USPC ..... **D32/50**

(58) **Field of Classification Search**  
USPC ..... D32/40-43, 45-46, 50-52, 15, 17, 22,  
D32/25; D9/527-528, 685; D4/116-118;  
D19/163, 117, 184  
CPC ..... A61B 90/80; A47L 25/00  
See application file for complete search history.

(56) **References Cited**

**U.S. PATENT DOCUMENTS**

1,555,630 A 9/1925 Brock  
1,564,526 A 12/1925 Callais  
D98,120 S \* 1/1936 Cave ..... D4/131  
2,429,753 A 10/1947 Grosch

**FOREIGN PATENT DOCUMENTS**

CA 160342 S 2/2016  
CN 304263269 \* 9/2017  
(Continued)

**OTHER PUBLICATIONS**

All Purpose Yard Broom M Head, Fiskars website 2019, <https://www.fiskars.eu/products/gardening/broomms-cleaning-tools/all-purpose-yard-broom-...> site visited Aug. 30, 2019.\*

(Continued)

*Primary Examiner* — Lilyana Bekic

*Assistant Examiner* — John R Yeh

(74) *Attorney, Agent, or Firm* — Leason Ellis LLP

(57) **CLAIM**

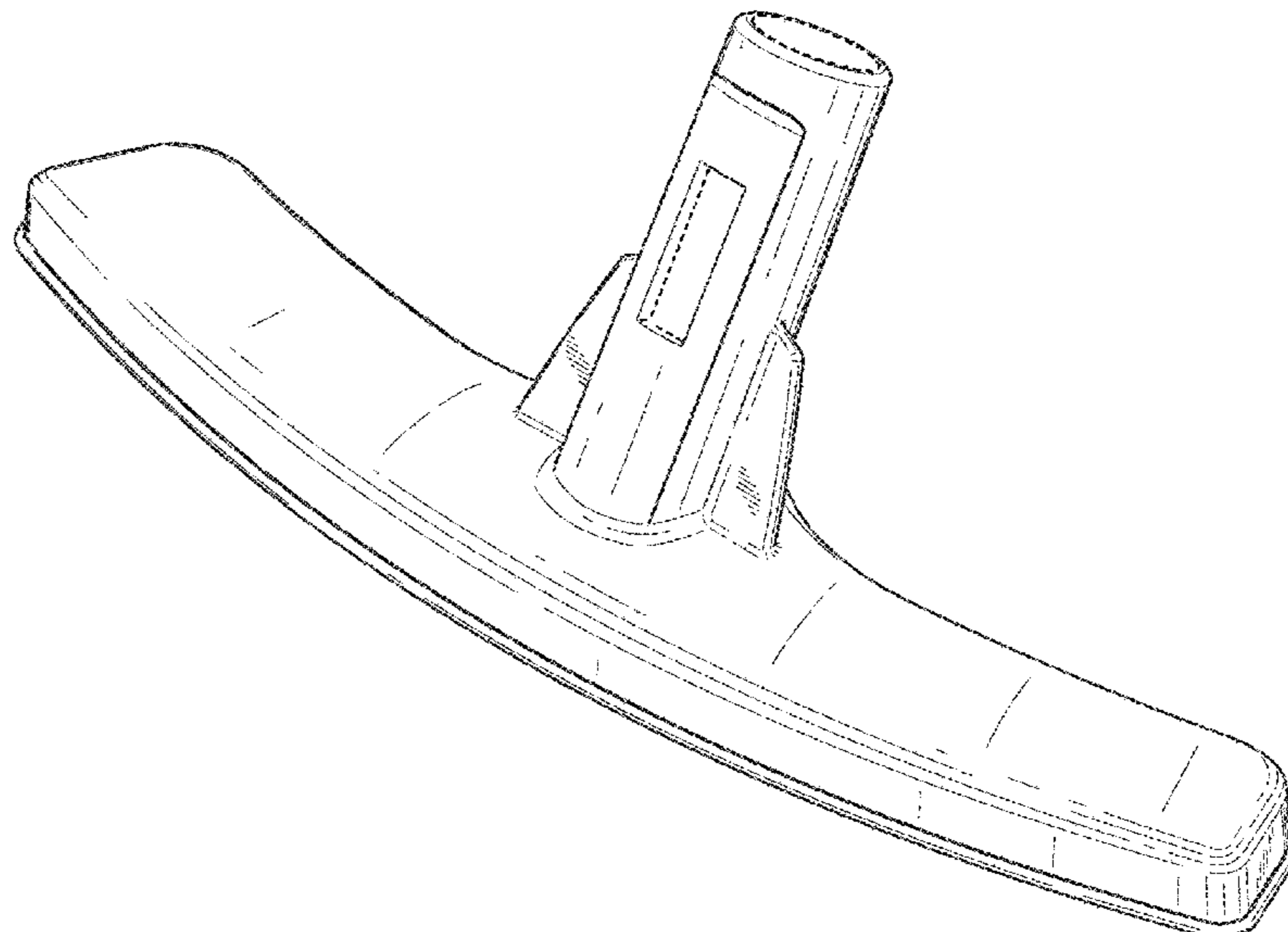
We claim the ornamental design for a broom, as shown and described.

**DESCRIPTION**

FIG. 1 is a front perspective view of our design for a broom;  
FIG. 2 is a front view thereof;  
FIG. 3 is a rear view thereof;  
FIG. 4 is a right side view thereof;  
FIG. 5 is a left side view thereof;  
FIG. 6 is a top view thereof; and,  
FIG. 7 is a bottom view thereof.

The broken lines depict portions of the broom that form no part of the claimed design.

**1 Claim, 5 Drawing Sheets**



(56)

References Cited

U.S. PATENT DOCUMENTS

D277,524 S \* 2/1985 Kubick ..... D32/50  
 D281,361 S \* 11/1985 Jaros ..... D32/50  
 D281,635 S \* 12/1985 Machaek ..... D32/50  
 D284,897 S \* 7/1986 Rubio ..... D32/50  
 D287,173 S \* 12/1986 Libman ..... D32/45  
 D289,338 S \* 4/1987 Sartori ..... D32/50  
 D293,165 S \* 12/1987 Machacek ..... D32/50  
 D299,289 S 1/1989 Machacek  
 D307,517 S \* 5/1990 Mallory ..... D32/41  
 D308,741 S 6/1990 Tsukamoto  
 5,419,007 A 5/1995 Hult et al.  
 D377,122 S 1/1997 Lofton  
 D380,303 S 7/1997 Wolfenden  
 D384,818 S \* 10/1997 Wolfenden ..... D32/50  
 D386,907 S 12/1997 Rittenbaum  
 5,702,195 A \* 12/1997 Rittenbaum ..... A46B 11/06  
 15/221  
 D415,616 S 10/1999 Camp et al.  
 D480,564 S \* 10/2003 Petner ..... D4/199  
 6,694,560 B2 2/2004 Young  
 D499,556 S 12/2004 Hay et al.  
 D509,661 S 9/2005 Berti  
 D511,046 S 11/2005 Berti  
 D533,324 S \* 12/2006 Hay ..... D32/42  
 D563,107 S 3/2008 Folden  
 D585,613 S \* 1/2009 Senyuva ..... D32/50  
 D585,614 S \* 1/2009 enyuva ..... D32/50  
 D585,615 S \* 1/2009 enyuva ..... D32/50  
 D597,719 S 8/2009 McNeil et al.  
 7,650,661 B2 1/2010 Young  
 D642,760 S \* 8/2011 Lacotta ..... D32/50  
 D663,533 S \* 7/2012 Pottes ..... D4/199  
 D664,772 S 8/2012 Rossano et al.  
 D666,836 S \* 9/2012 Dobson, III ..... D4/132  
 D693,078 S 11/2013 Nordvik

D693,079 S 11/2013 Nordvik  
 D694,973 S \* 12/2013 Libman ..... D32/40  
 D697,280 S 1/2014 Casini et al.  
 D698,111 S \* 1/2014 Casini ..... D32/50  
 D728,871 S 5/2015 Masalin et al.  
 D745,232 S \* 12/2015 Yoon ..... D32/22  
 D747,884 S 1/2016 Chalifoux  
 9,375,076 B2 6/2016 Weis et al.  
 D786,520 S \* 5/2017 Thoma ..... D32/50  
 D793,091 S \* 8/2017 Laenner ..... D4/132  
 D796,137 S \* 8/2017 Spence ..... D32/35  
 D804,122 S 11/2017 Larouche  
 D832,542 S \* 10/2018 Larouche ..... D32/50  
 D833,099 S \* 11/2018 Lapalme ..... D32/50  
 D846,219 S \* 4/2019 Danko ..... D32/50  
 D851,347 S \* 6/2019 Sunila ..... D32/50  
 2014/0331426 A1 \* 11/2014 Weis ..... A46B 7/04  
 15/114

FOREIGN PATENT DOCUMENTS

EM 000679808-0003 2/2007  
 EM 003814540-0001 \* 3/2017  
 GB 4 036 753 8/2014

OTHER PUBLICATIONS

Fiskars Garden Broom Head, BigaMart website 2018, [https://bigamart.com/product/fiskars-garden-broom-head-black-380-mm-1025930/?utm\\_so...](https://bigamart.com/product/fiskars-garden-broom-head-black-380-mm-1025930/?utm_so...) site visited Aug. 30, 2019.\*  
 Fiskars All Purpose Yard Broom, review date Jun. 15, 2016, site visited Aug. 4, 2018, [https://www.amazon.co.uk/dp/B0794L8K33/REF=psdc\\_4224810031\\_t2\\_B0794JD5CK](https://www.amazon.co.uk/dp/B0794L8K33/REF=psdc_4224810031_t2_B0794JD5CK).  
 Fiskars Garden Broom Head, black, Amazon.co.uk, review date Jul. 31, 2017, <https://www.amazon.co.uk/Fiskars-Garden-Broom-Black-1025930/dp/B0794JD5CK>, site visited Aug. 4, 2018.

\* cited by examiner

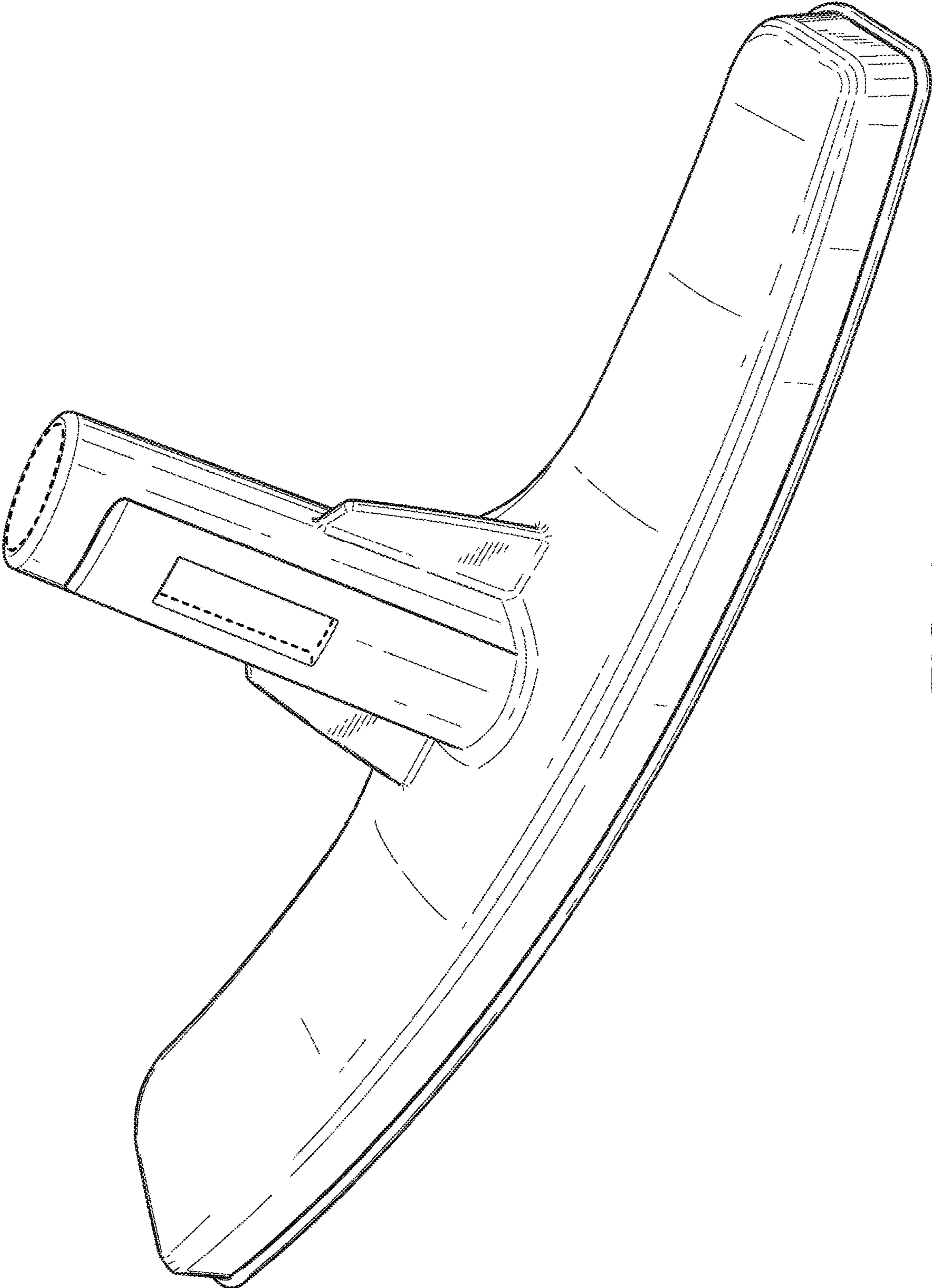


FIG. 1

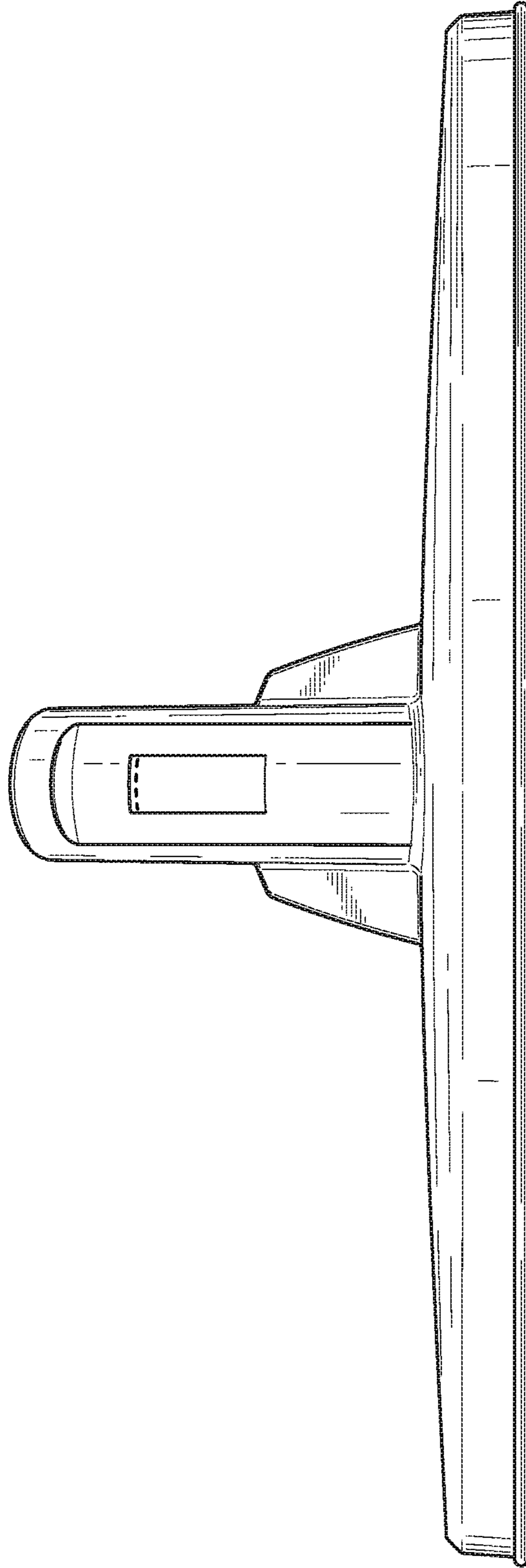


FIG. 2

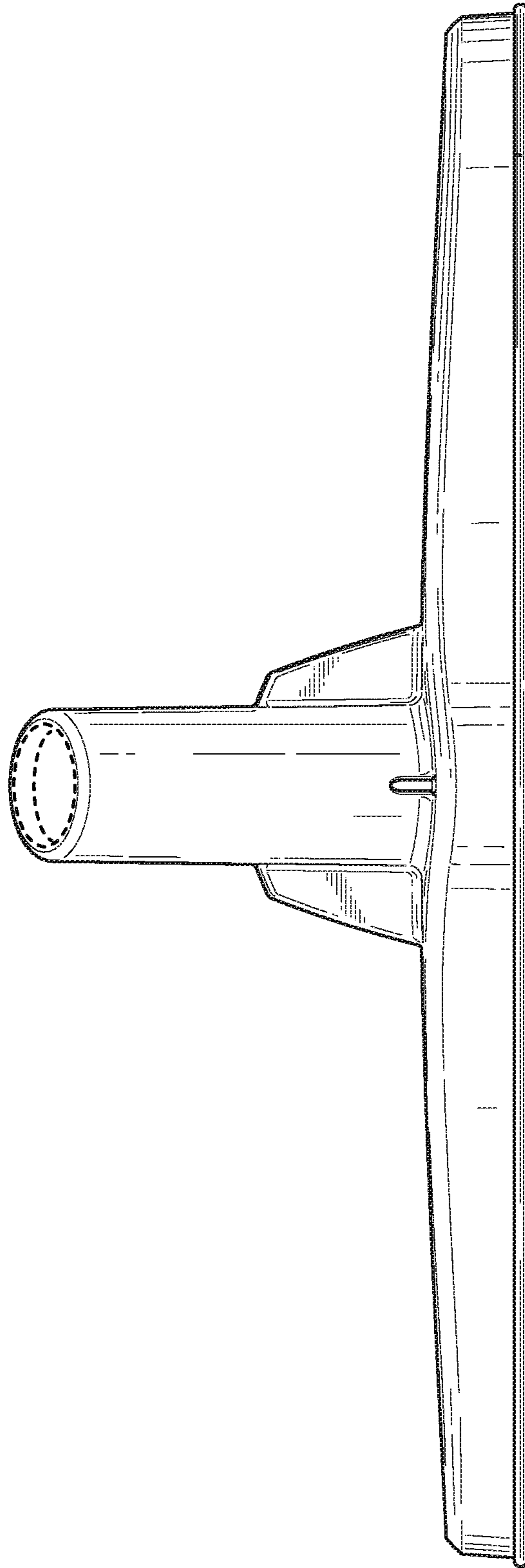


FIG. 3

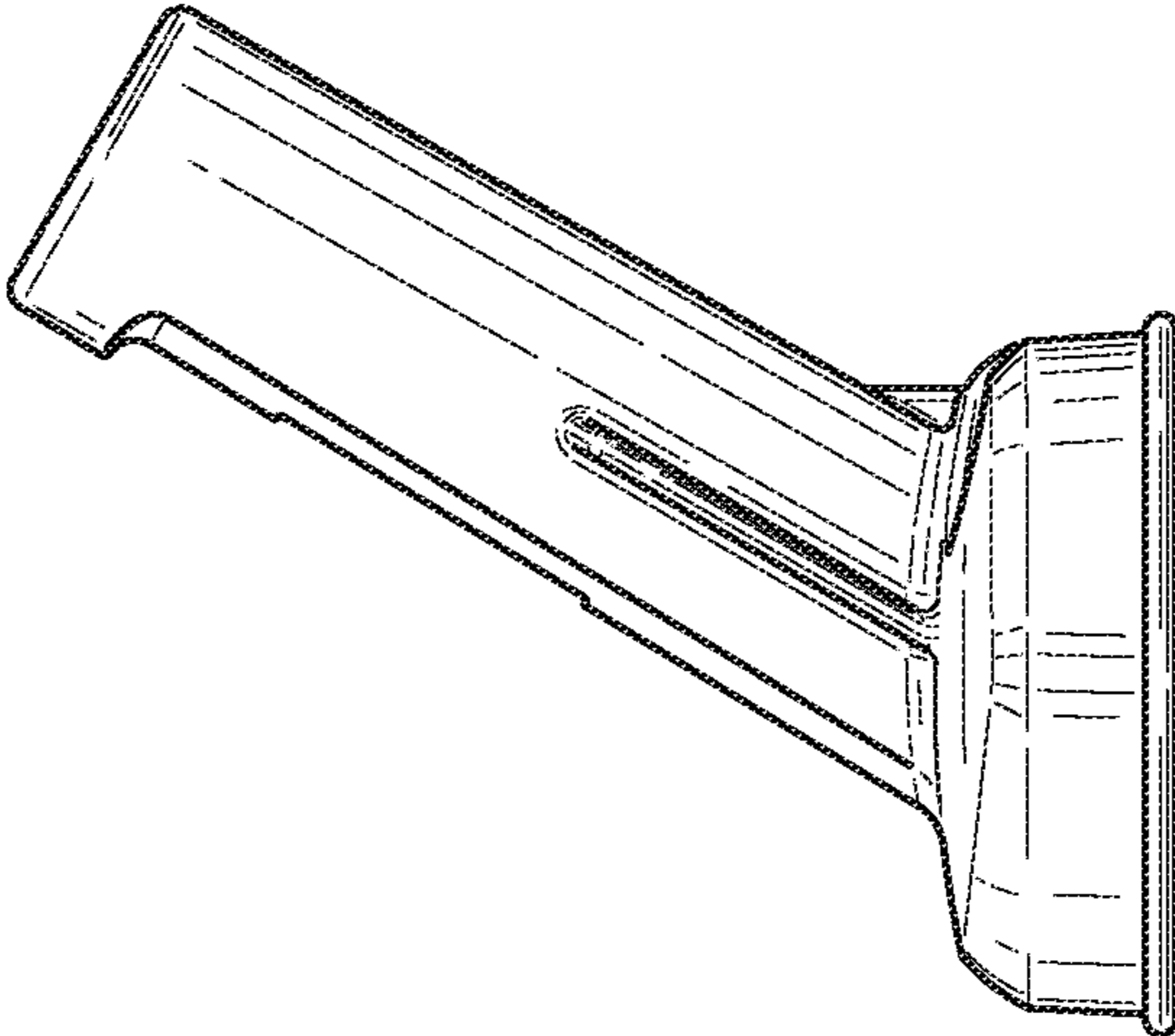


FIG. 5

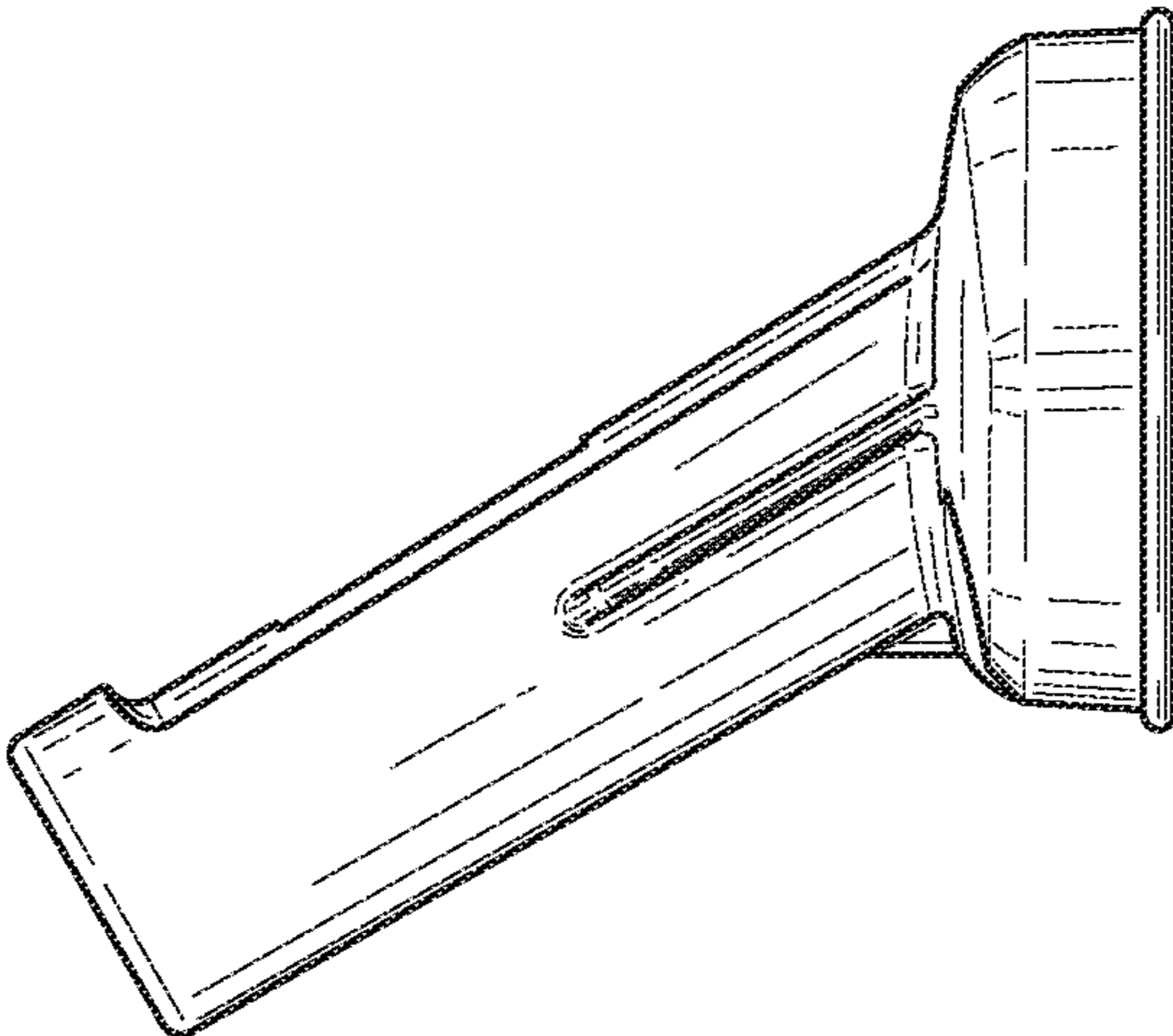


FIG. 4

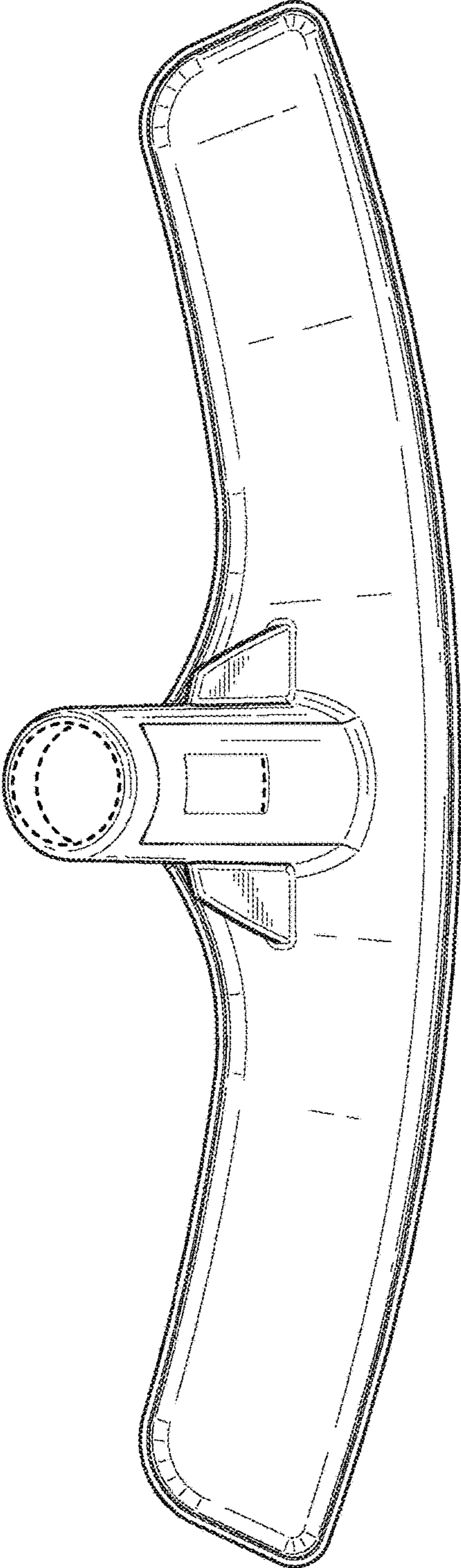


FIG. 6

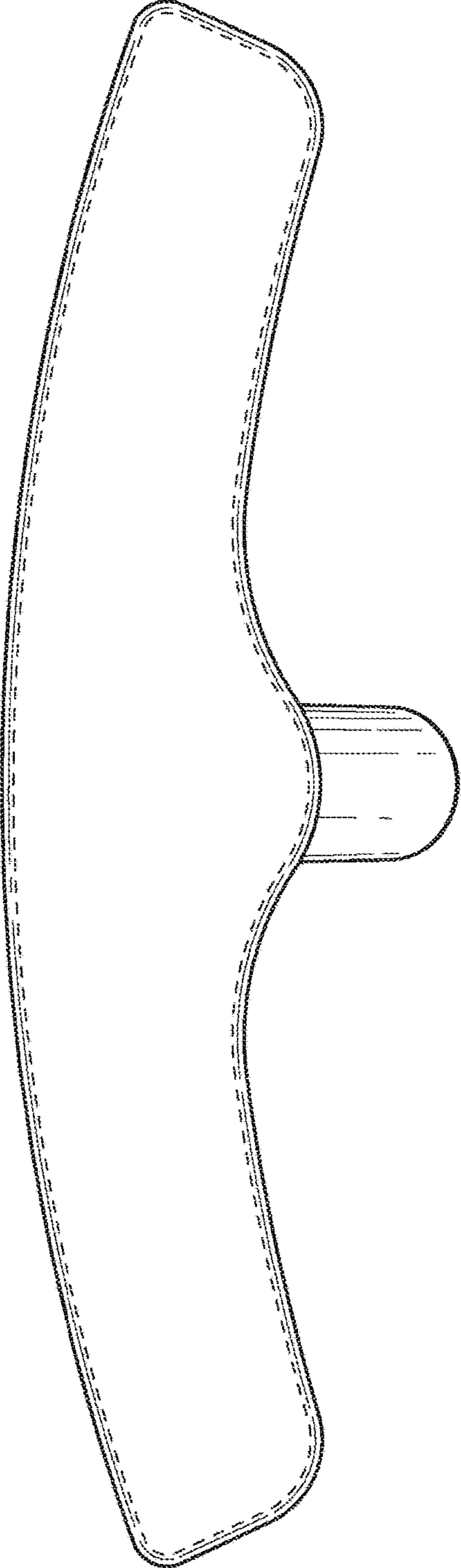


FIG. 7