



US00D897617S

(12) **United States Design Patent**
Chen

(10) **Patent No.:** **US D897,617 S**

(45) **Date of Patent:** **** Sep. 29, 2020**

(54) **HAND-HELD VACUUM CLEANER**

D737,009 S * 8/2015 Kim D32/31
D738,052 S * 9/2015 Kim D32/18

(71) Applicant: **Suzhou Suoliwo Electrical Co., Ltd.**,
Suzhou, Jiangsu (CN)

* cited by examiner

(72) Inventor: **Haiyong Chen**, Mingguang (CN)

Primary Examiner — Michael A. Pratt

(**) Term: **15 Years**

(74) *Attorney, Agent, or Firm* — Muncy, Geissler, Olds &
Lowe, P.C.

(21) Appl. No.: **29/705,330**

(22) Filed: **Sep. 11, 2019**

(57) **CLAIM**

(30) **Foreign Application Priority Data**

The ornamental design for a Hand-held vacuum cleaner, as shown and described.

Jul. 9, 2019 (CN) 2019 3 0363945

(51) **LOC (12) Cl.** **15-05**

(52) **U.S. Cl.**

USPC **D32/22**

(58) **Field of Classification Search**

USPC D32/17–18, 21–22, 31, 34, 69–70, 72

CPC B08B 3/026; B08B 3/028; A46B 11/001;

A46B 11/002; B60S 1/64; D01H 11/006

See application file for complete search history.

(56) **References Cited**

U.S. PATENT DOCUMENTS

D575,013 S * 8/2008 Gee, II D32/18
D648,496 S * 11/2011 Luyckx D32/18

DESCRIPTION

FIG. 1 is a front elevational view of a hand-held vacuum cleaner showing my new design;

FIG. 2 is an enlarged left side view thereof;

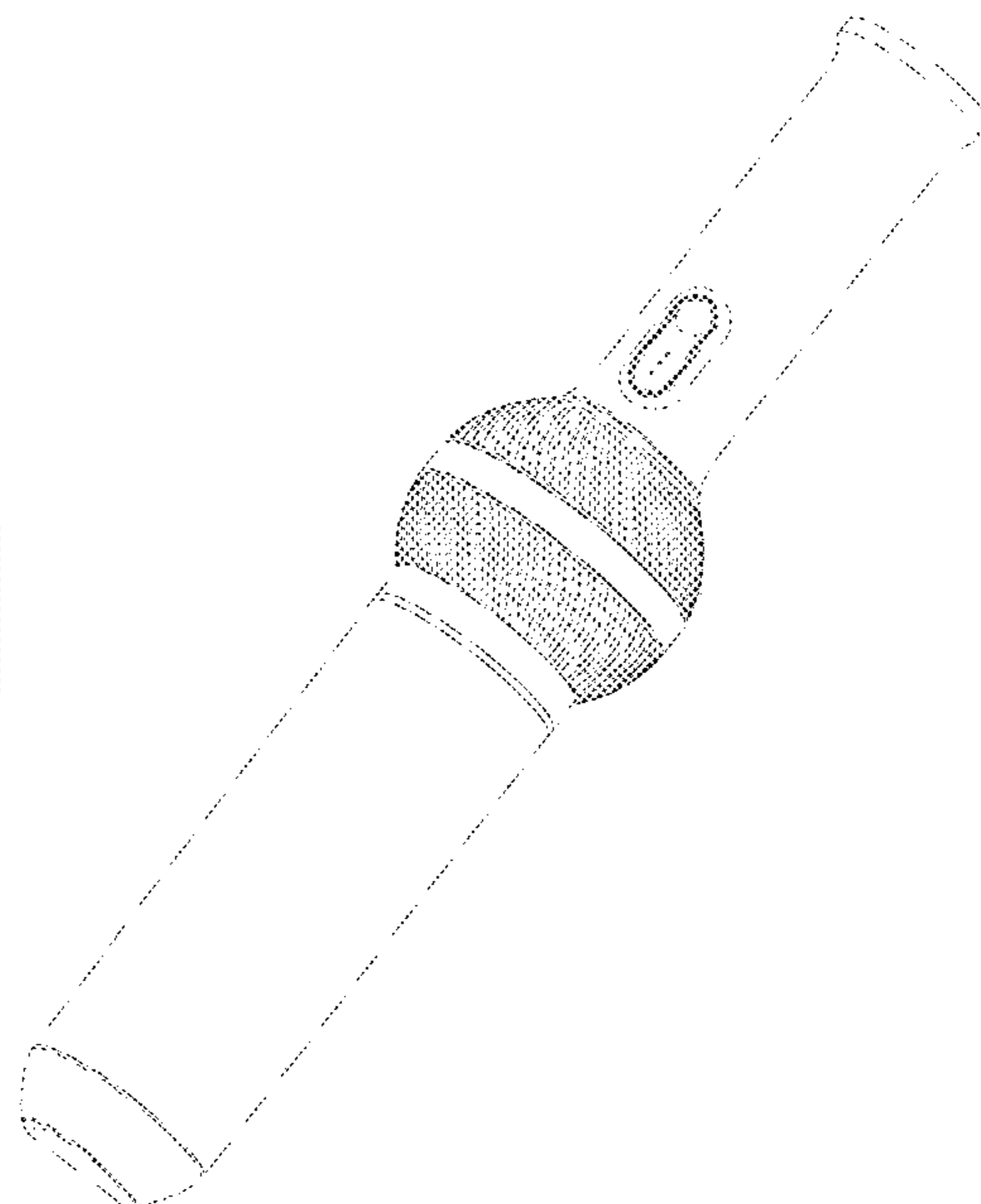
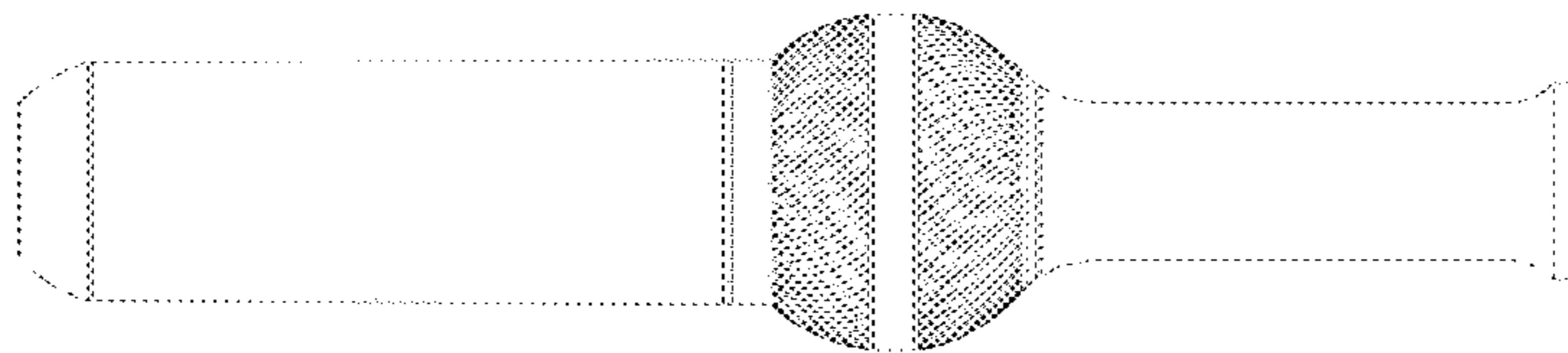
FIG. 3 is an enlarged right side view thereof;

FIG. 4 is a top plan view thereof;

FIG. 5 is a bottom plan view thereof; and,

FIG. 6 is a perspective view thereof.

1 Claim, 3 Drawing Sheets



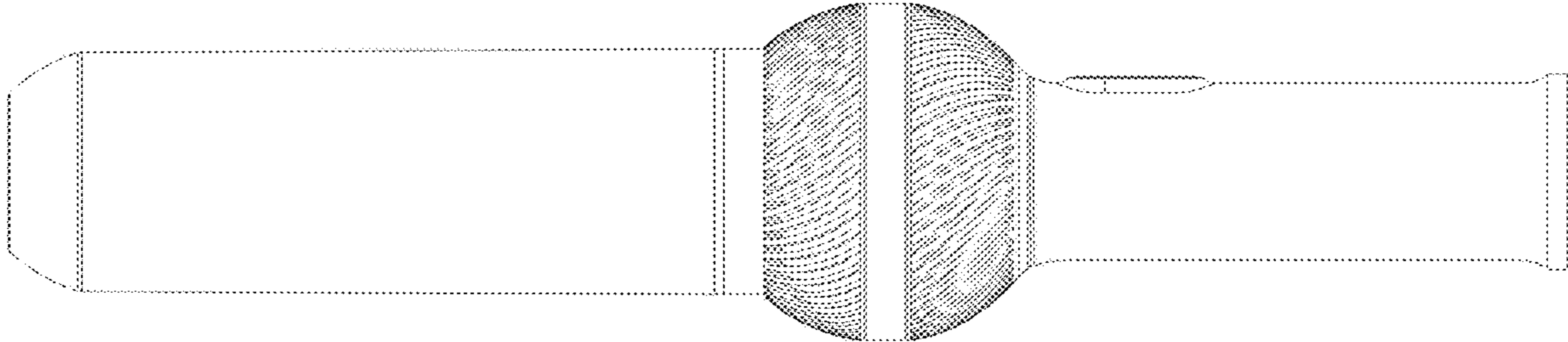


FIG.1

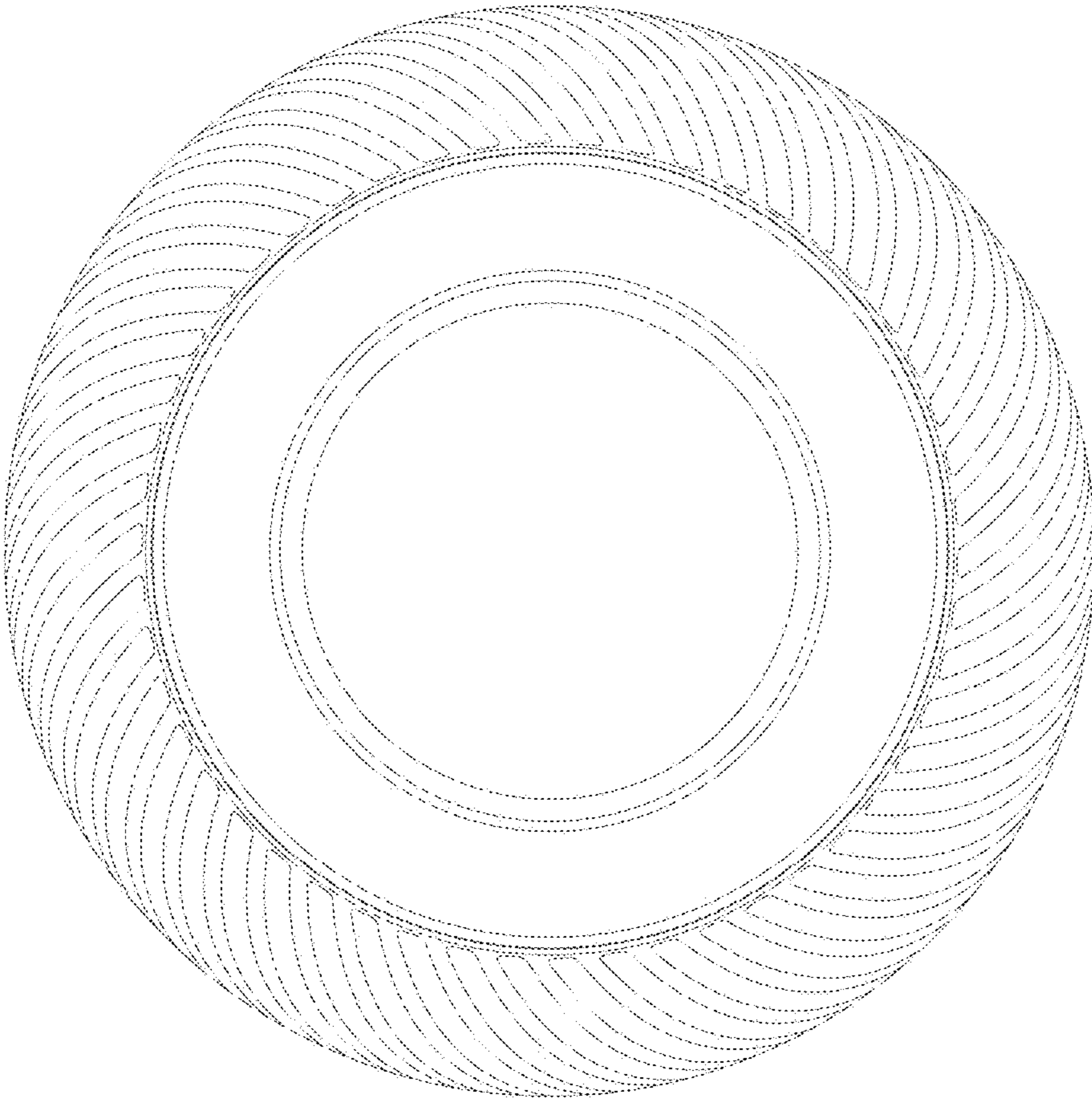


FIG.2

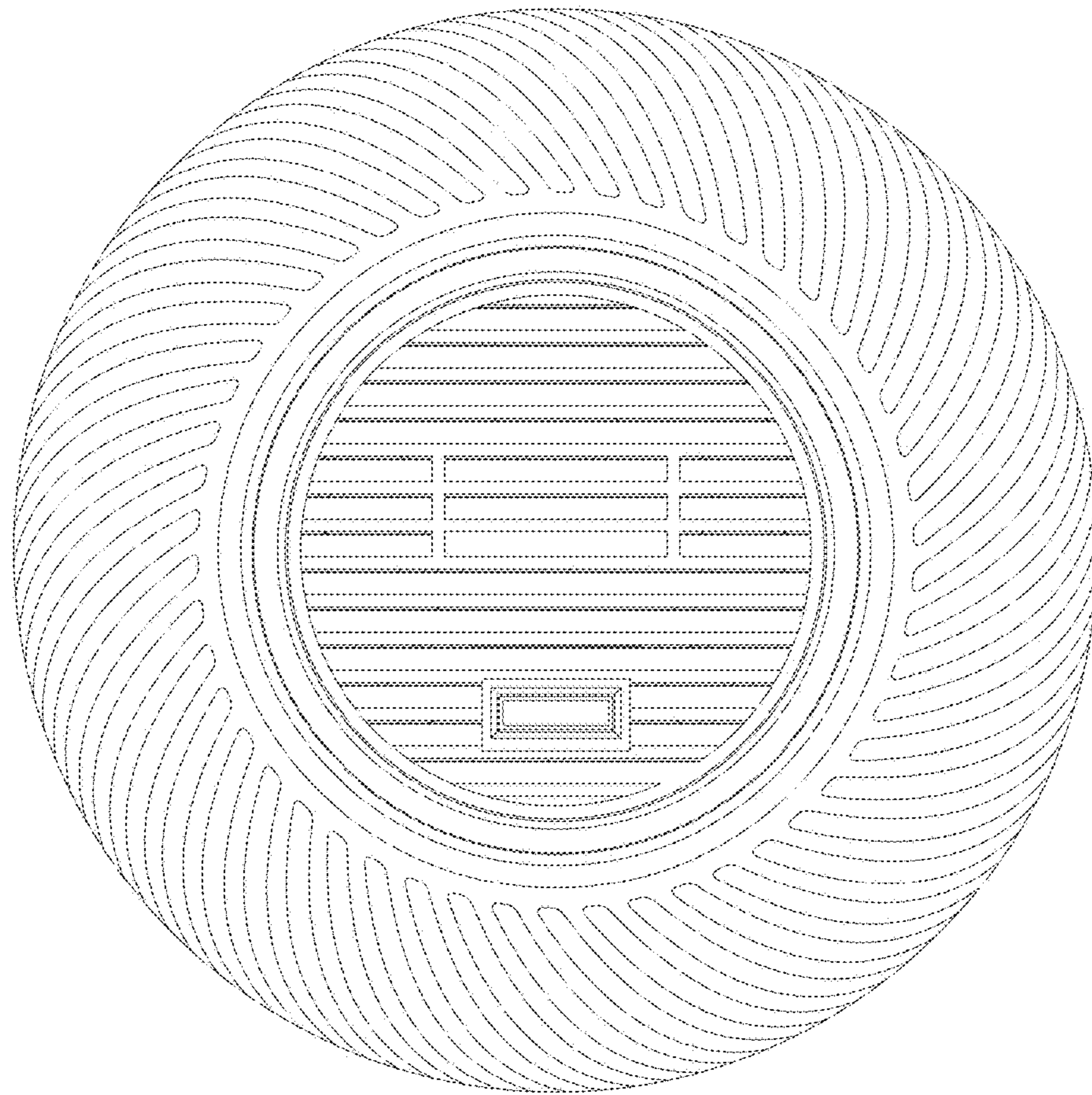


FIG.3

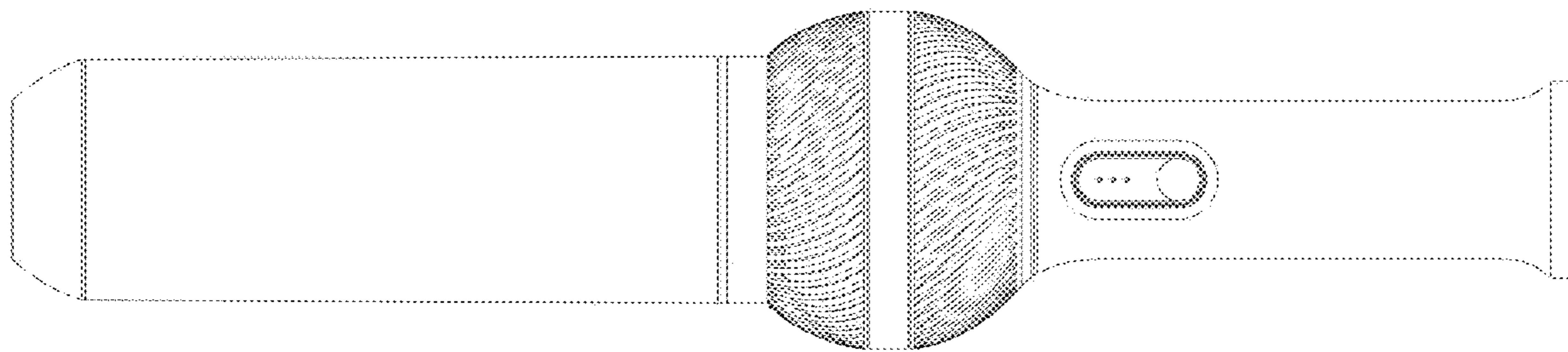


FIG.4

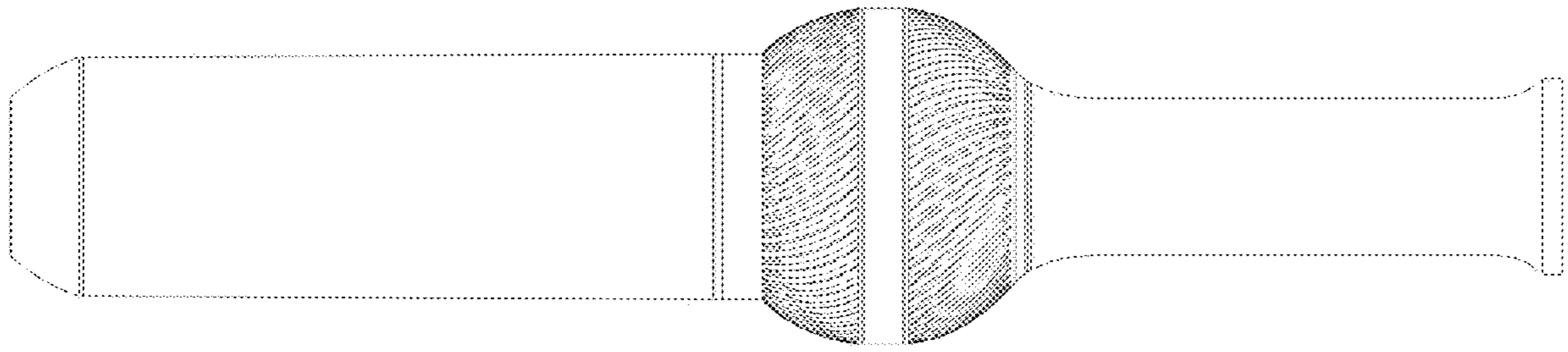


FIG.5

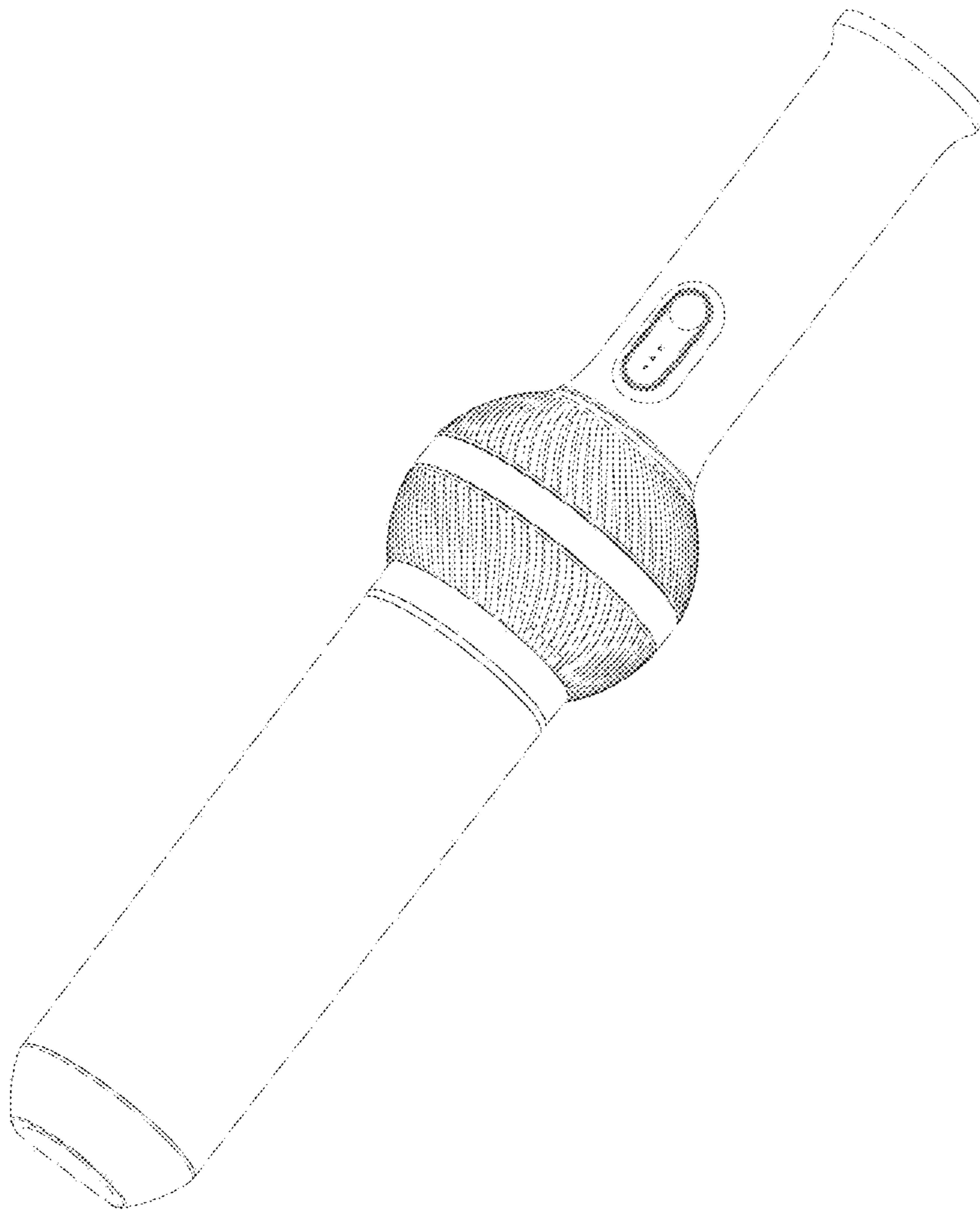


FIG.6