



US00D897616S

(12) **United States Design Patent**
Chen

(10) **Patent No.:** **US D897,616 S**

(45) **Date of Patent:** **** Sep. 29, 2020**

(54) **VACUUM CLEANER**

(71) Applicant: **Suzhou Dibe Electrical Technology Co., Ltd.**, Suzhou, Jiangsu (CN)

(72) Inventor: **Haiyong Chen**, Mingguang (CN)

(73) Assignee: **SUZHOU DIBEA ELECTRICAL TECHNOLOGY CO., LTD.**, Suzhou, Jiangsu (CN)

(**) Term: **15 Years**

(21) Appl. No.: **29/679,105**

(22) Filed: **Feb. 1, 2019**

(30) **Foreign Application Priority Data**

Jan. 9, 2019 (CN) 2019 3 0011027

(51) **LOC (12) Cl.** **15-05**

(52) **U.S. Cl.**
USPC **D32/22**

(58) **Field of Classification Search**
USPC D32/17-18, 21-22, 31, 34, 69-70, 72
CPC B08B 3/026; B08B 3/028; A46B 11/001;
A46B 11/002; B60S 1/64; D01H 11/006
See application file for complete search history.

(56) **References Cited**

U.S. PATENT DOCUMENTS

D668,010 S * 9/2012 Stickney D32/18
D668,823 S * 10/2012 Stickney D32/18
D738,584 S * 9/2015 Niedzwecki D32/22

9,451,853 B2 * 9/2016 Conrad A47L 9/0027
D774,260 S * 12/2016 Manning D32/22
D792,040 S * 7/2017 Meyer D32/22
D798,009 S * 9/2017 Salagnac D32/22
D799,767 S * 10/2017 Palladino D32/22
D800,980 S * 10/2017 Carter D32/21
D824,616 S * 7/2018 Ward D32/22
D838,067 S * 1/2019 Irfan B04C 5/185
D851,846 S * 6/2019 Gammack D32/6
D861,268 S * 9/2019 Meyer D32/22
D862,011 S * 10/2019 Kim D32/22
D871,695 S * 12/2019 Niedzwecki D32/22
D887,657 S * 6/2020 Palladino D32/22
2017/0340180 A1 * 11/2017 Isley A46B 13/00

* cited by examiner

Primary Examiner — Michael A. Pratt

(74) *Attorney, Agent, or Firm* — Muncy, Geissler, Olds & Lowe, P.C.

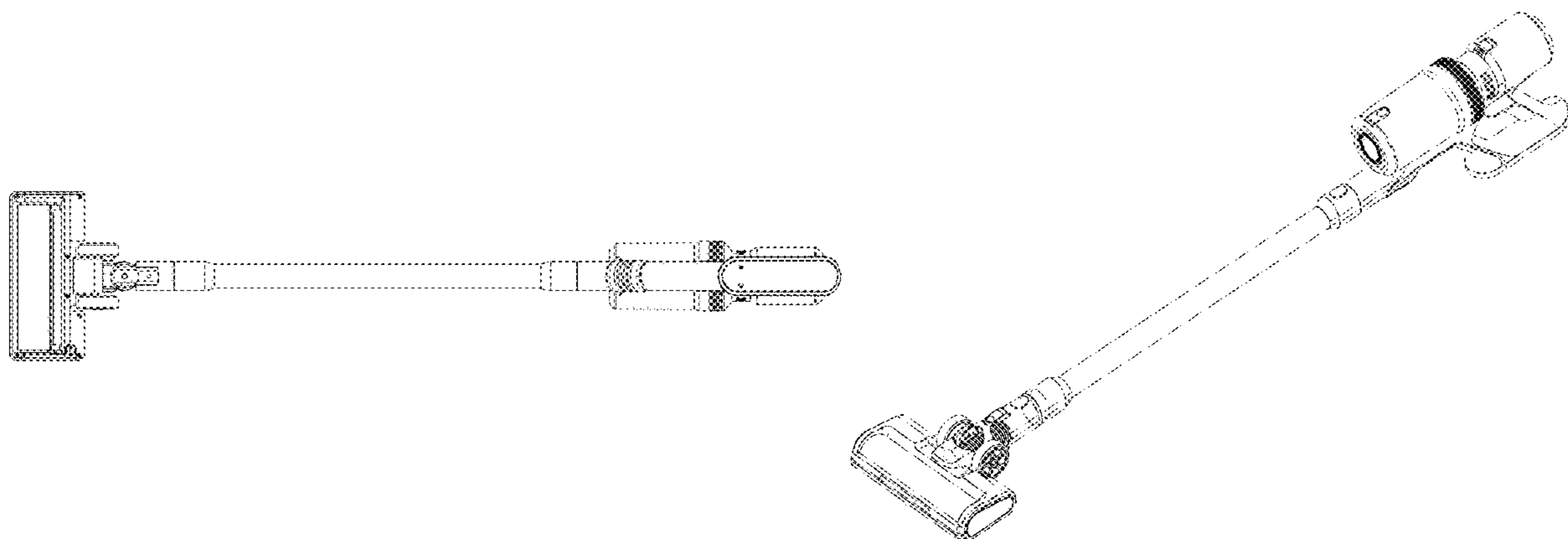
(57) **CLAIM**

The ornamental design for a vacuum cleaner, as shown and described.

DESCRIPTION

FIG. 1 is a Front elevational view of a vacuum cleaner showing my new design;
FIG. 2 is a Rear elevational view thereof;
FIG. 3 is a Left side view thereof;
FIG. 4 is a Right side view thereof;
FIG. 5 is a Top plan view thereof;
FIG. 6 is a Bottom plan view thereof; and,
FIG. 7 is a Perspective views thereof.

1 Claim, 7 Drawing Sheets



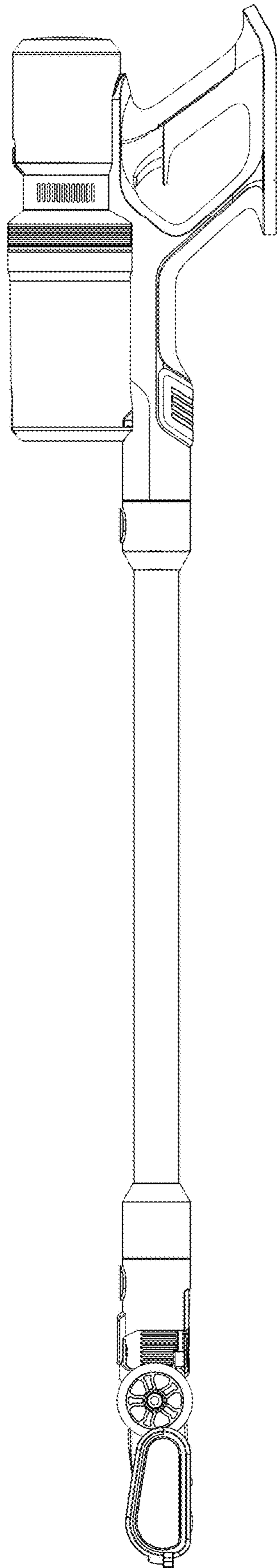


Fig. 1

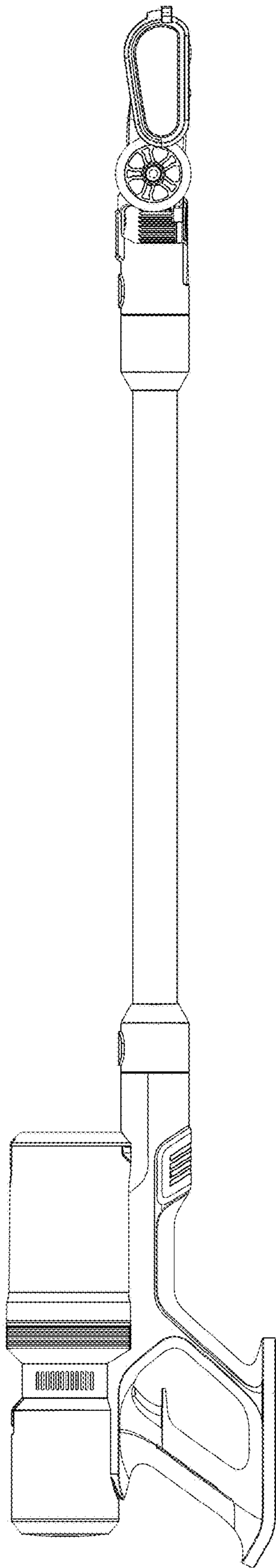


Fig. 2

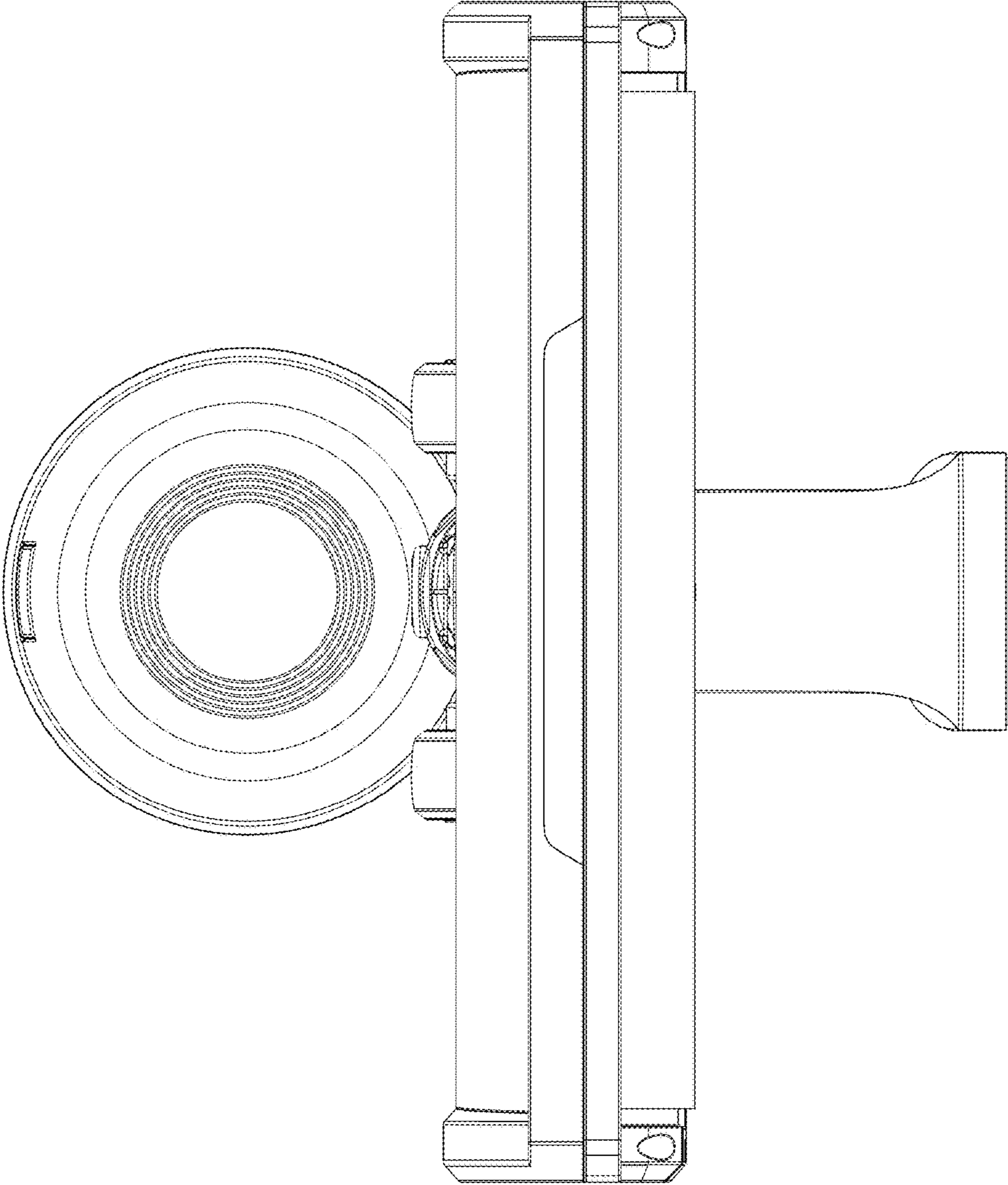


Fig. 3

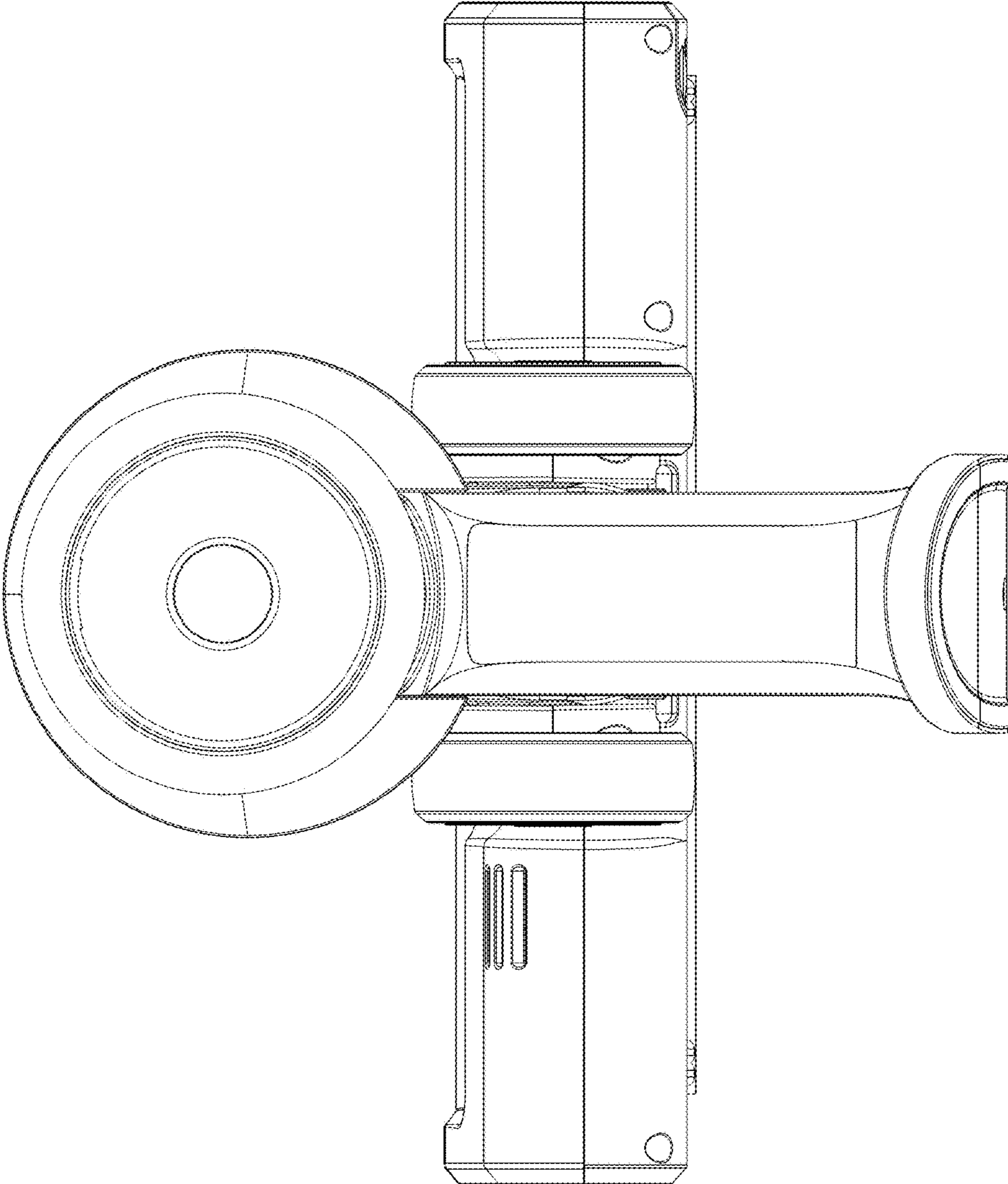


Fig. 4

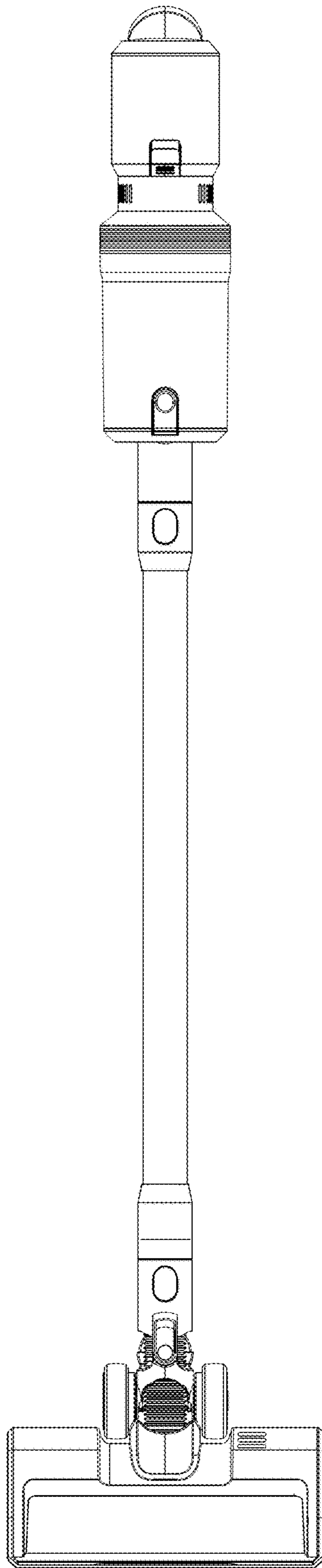


Fig. 5

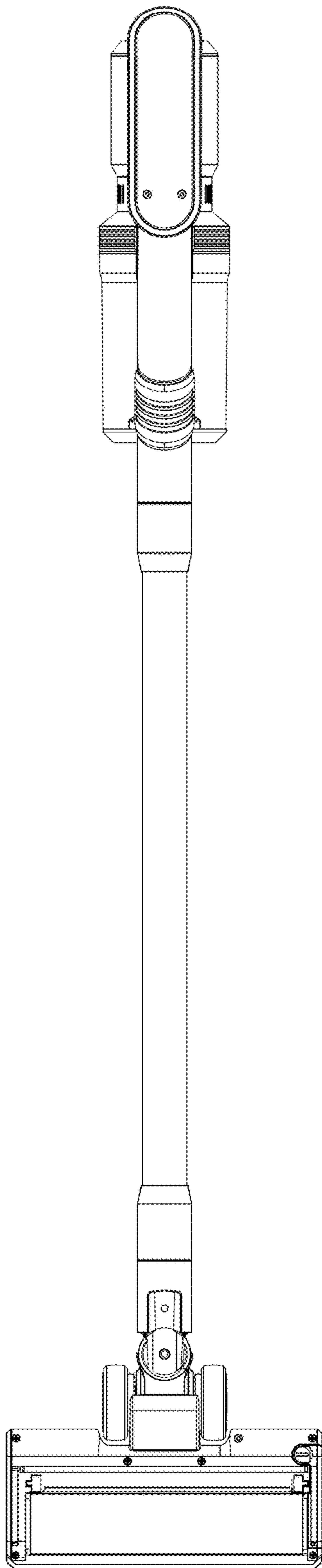


Fig. 6

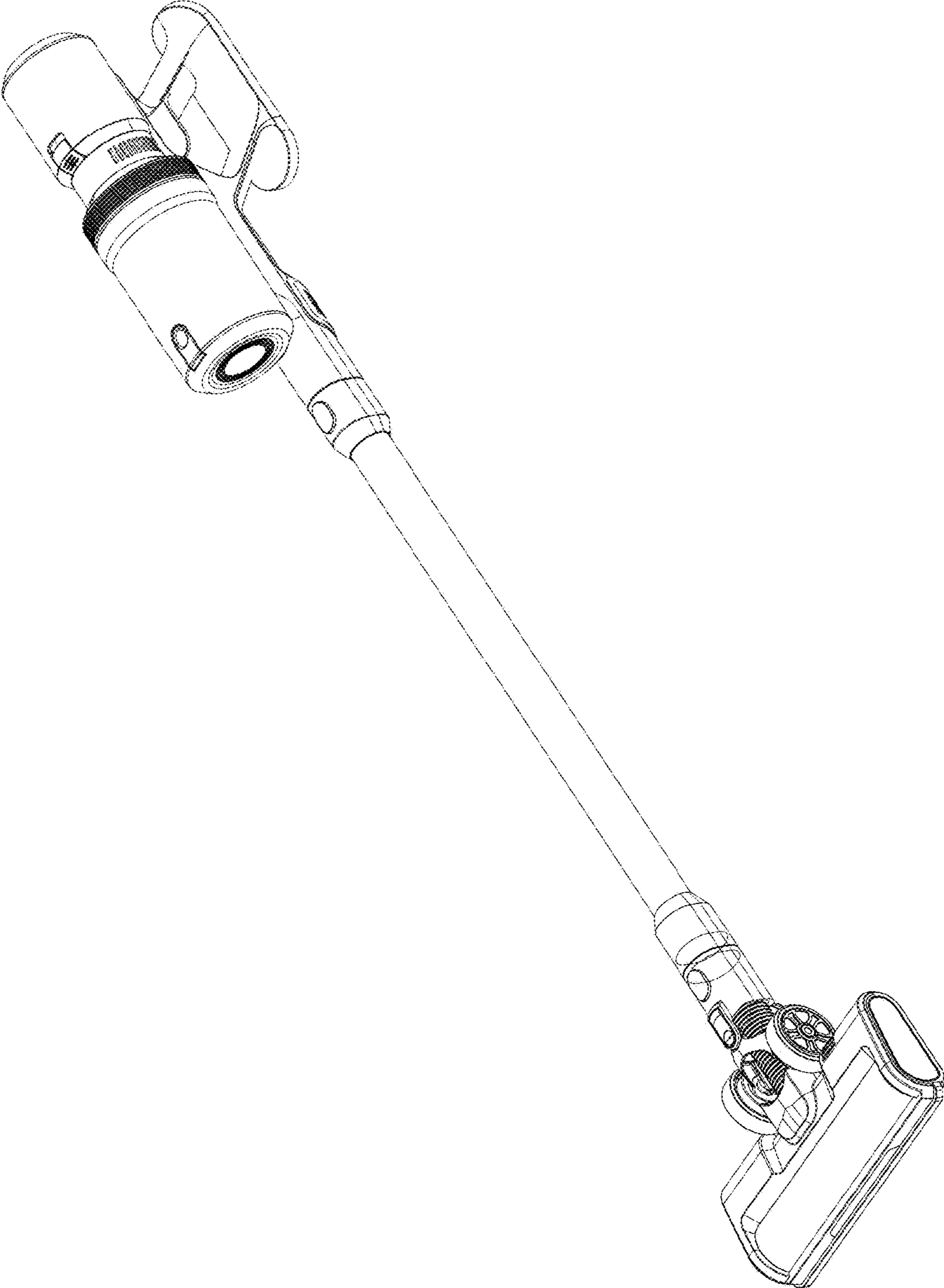


Fig. 7