



US00D897613S

(12) **United States Design Patent** (10) **Patent No.:** **US D897,613 S**
Bae (45) **Date of Patent:** **** Sep. 29, 2020**

(54) **INCUBATOR FOR ANIMAL**

A01K 33/00; A61D 7/00; A61D 7/04;
A61D 11/00; A61G 11/00; A61G
11/001-009

(71) Applicant: **AUTO ELEX Co., LTD**, Gimhae-si,
Gyeongsangnam-do (KR)

See application file for complete search history.

(72) Inventor: **Jong-yoon Bae**, Gimhae-si (KR)

(56) **References Cited**

(73) Assignee: **AUTO ELEX Co., LTD**, Gimhae-si
(KR)

U.S. PATENT DOCUMENTS

(**) Term: **15 Years**

(21) Appl. No.: **29/727,887**

(22) Filed: **Mar. 13, 2020**

2,176,484	A *	10/1939	Blakeslee	A01K 41/00
					119/325
2,321,774	A *	6/1943	Ruemelin	B24C 9/00
					312/139
2,600,240	A	6/1952	Curtis		
2,720,387	A *	10/1955	Dorsak	A61G 11/00
					261/76
2,778,617	A	1/1957	Gibbon		
D182,394	S *	4/1958	Adolphson	D24/163

(Continued)

Related U.S. Application Data

(60) Division of application No. 29/624,358, filed on Oct. 31, 2017, which is a continuation of application No. 29/590,655, filed on Jan. 12, 2017, now Pat. No. Des. 827,903.

Primary Examiner — Susan Moon Lee

(74) *Attorney, Agent, or Firm* — Millen, White, Zelano & Branigan, PC; Ryan Pool; William Nixon

(30) **Foreign Application Priority Data**

Jul. 21, 2016 (KR) 30-2016-0035529

(51) **LOC (12) Cl.** **30-99**

(52) **U.S. Cl.**

USPC **D30/199**; D30/108

(58) **Field of Classification Search**

USPC D30/108, 109.113, 117, 158, 199;
D24/163, 202, 209, 231, 232;
119/311-322, 671-678, 502, 512,
119/416-421, 427, 326, 328, 329, 348;
128/205.26; 312/236; 600/22, 21;
237/14; 392/365, 416; 219/386, 472,
219/520-522, 541, 542, 538; D15/124

CPC A01K 1/02; A01K 1/03; A01K 1/0218;
A01K 1/031; A01K 1/032; A01K 1/0047;
A01K 1/0236; A01K 1/0245; A01K
41/00; A01K 41/02; A01K 41/023; A01K
41/026; A01K 41/04; A01K 41/06; A01K
41/065; A01K 31/14-20; A01K 31/165;

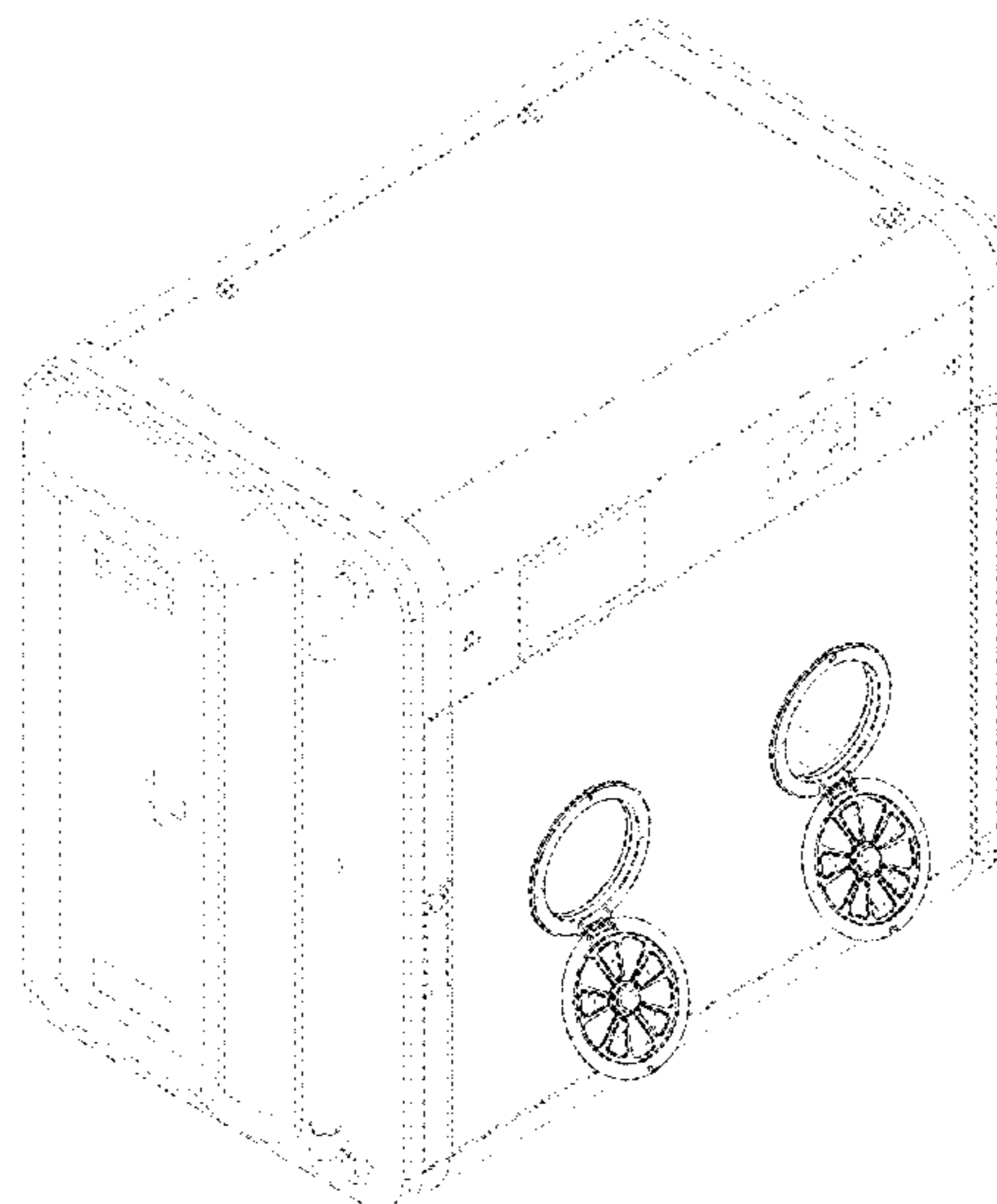
(57) **CLAIM**

I claim the ornamental design for an incubator for animal, as shown and described.

DESCRIPTION

FIG. 1 is a perspective view of an incubator for animal showing my design;
FIG. 2 is a front elevational view thereof;
FIG. 3 is a rear elevational view thereof;
FIG. 4 is a left side elevational view thereof;
FIG. 5 is a right side elevational view thereof;
FIG. 6 is a top plan view thereof;
FIG. 7 is a bottom plan view thereof; and,
FIG. 8 is a perspective view of the incubator for animal in an open configuration.
The broken lines shown throughout the views depict unclaimed portions of the design and form no part of the claimed design.

1 Claim, 8 Drawing Sheets



(56)

References Cited

U.S. PATENT DOCUMENTS

D697,118 S	1/2014	Okuyama et al.	10,206,840 B2 *	2/2019	Wakabayashi	A61G 11/00
D703,343 S	4/2014	Biswas et al.	10,219,490 B2 *	3/2019	Meter	A01K 1/0047
8,695,679 B2 *	4/2014	Boast	10,219,962 B2 *	3/2019	Nariyuki	A61G 11/00
		C12M 41/34	10,265,233 B2 *	4/2019	Wakabayashi	A61G 11/009
		160/90	10,343,293 B1 *	7/2019	Taylor	B08B 15/026
D706,931 S *	6/2014	Matsubara	10,537,979 B2 *	1/2020	Skross	B24C 5/04
D706,932 S *	6/2014	Matsubara	10,538,001 B2 *	1/2020	Cordes	B25J 21/02
8,757,096 B2	6/2014	Doumas	2002/0017248 A1 *	2/2002	Honma	A61G 11/009
8,851,016 B2 *	10/2014	Lin				119/311
		A01K 1/031	2002/0147381 A1 *	10/2002	Kolarovic	A61G 11/00
		119/417				600/22
8,935,991 B2 *	1/2015	Santo	2003/0154976 A1 *	8/2003	Dalgetty	A22B 3/005
		A01K 1/03				128/203.14
		119/319	2004/0092216 A1 *	5/2004	Publ	B24C 9/00
D722,381 S *	2/2015	Mareguddi				451/87
D729,290 S	5/2015	Yamada et al.	2005/0022808 A1 *	2/2005	Caplette	A22B 3/00
9,044,370 B2 *	6/2015	Matsubara				128/200.24
9,055,799 B2 *	6/2015	Cohn	2006/0011143 A1 *	1/2006	Drummond	A01K 1/031
9,095,485 B2 *	8/2015	Matsubara				119/420
D737,871 S	9/2015	Yamada et al.	2006/0254528 A1 *	11/2006	Malnati	A01K 1/031
D739,023 S	9/2015	Mochizuki et al.				119/419
D739,024 S	9/2015	Mochizuki et al.	2009/0159011 A1	6/2009	Santo	
9,125,780 B2 *	9/2015	Matsubara	2010/0004502 A1 *	1/2010	Honma	A61G 11/00
9,194,175 B2 *	11/2015	Lemonds				600/22
D744,555 S *	12/2015	Suzuki	2010/0109347 A1 *	5/2010	Matsubara	A61G 11/00
9,198,402 B2 *	12/2015	Santo				292/121
9,233,040 B2 *	1/2016	Matsubara	2013/0274543 A1 *	10/2013	Matsubara	A61G 11/002
D750,142 S *	2/2016	Suzuki				600/22
D755,405 S	5/2016	Zhu	2013/0310634 A1 *	11/2013	Matsubara	A61G 11/009
D759,134 S *	6/2016	Goldhagen				600/22
D762,749 S *	8/2016	Andersson	2013/0310635 A1 *	11/2013	Matsubara	A61G 11/003
D773,071 S	11/2016	Hakoda				600/22
D776,825 S	1/2017	Patil et al.	2013/0345494 A1 *	12/2013	Matsubara	A61G 11/00
9,623,539 B2 *	4/2017	Robinson				600/22
D800,339 S	10/2017	Kittler	2016/0030616 A1 *	2/2016	Nariyuki	A01N 25/34
D814,719 S *	4/2018	Bae				600/22
D818,128 S *	5/2018	Wakabayashi	2017/0009202 A1	1/2017	Ramsing et al.	
10,111,796 B2 *	10/2018	Wakabayashi	2017/0128301 A1 *	5/2017	Wakabayashi	A61G 11/006
10,138,455 B2 *	11/2018	Rothenberg				
10,143,610 B2 *	12/2018	Wakabayashi				
10,206,838 B2 *	2/2019	Wakabayashi				

* cited by examiner

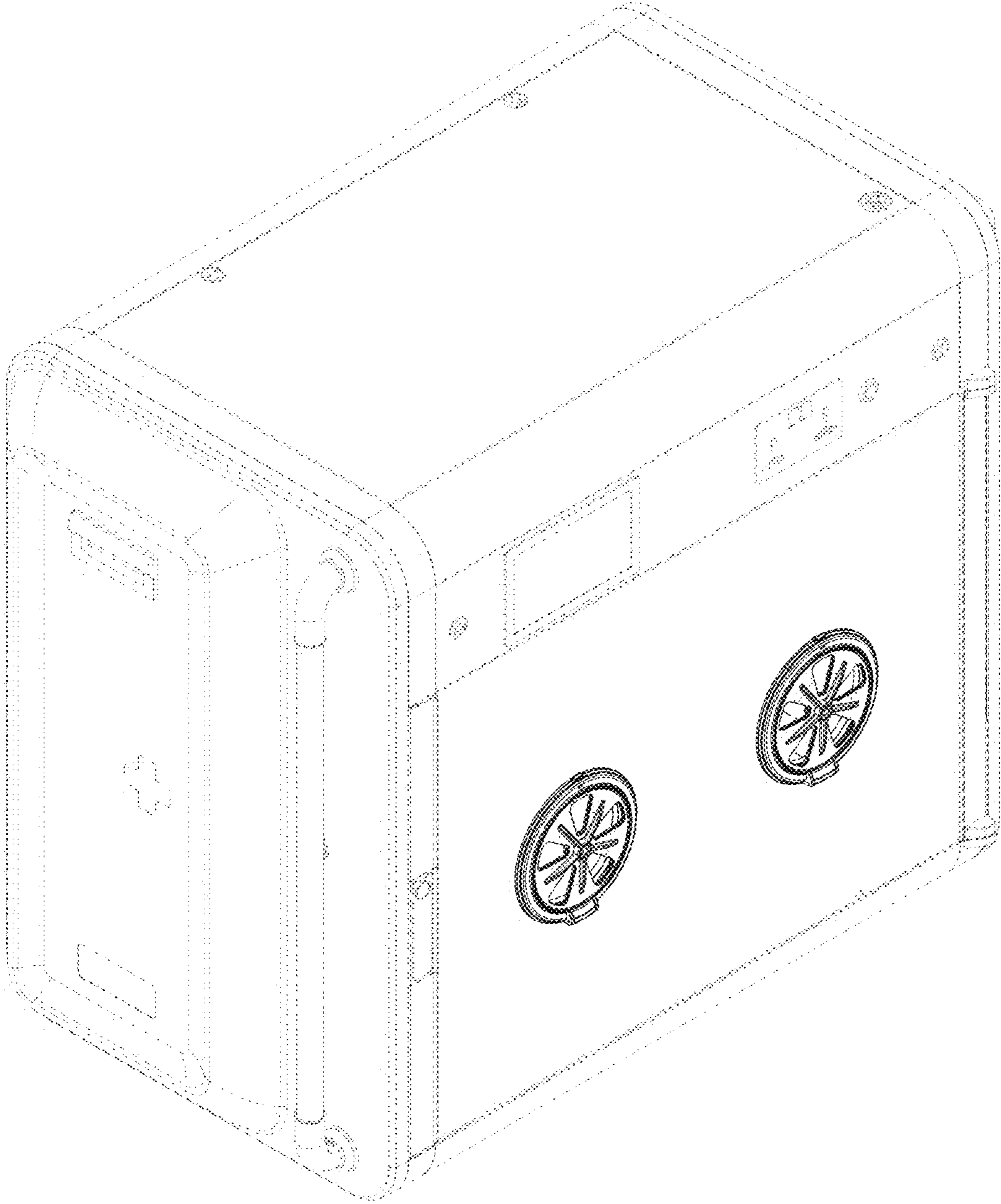


FIG. 1

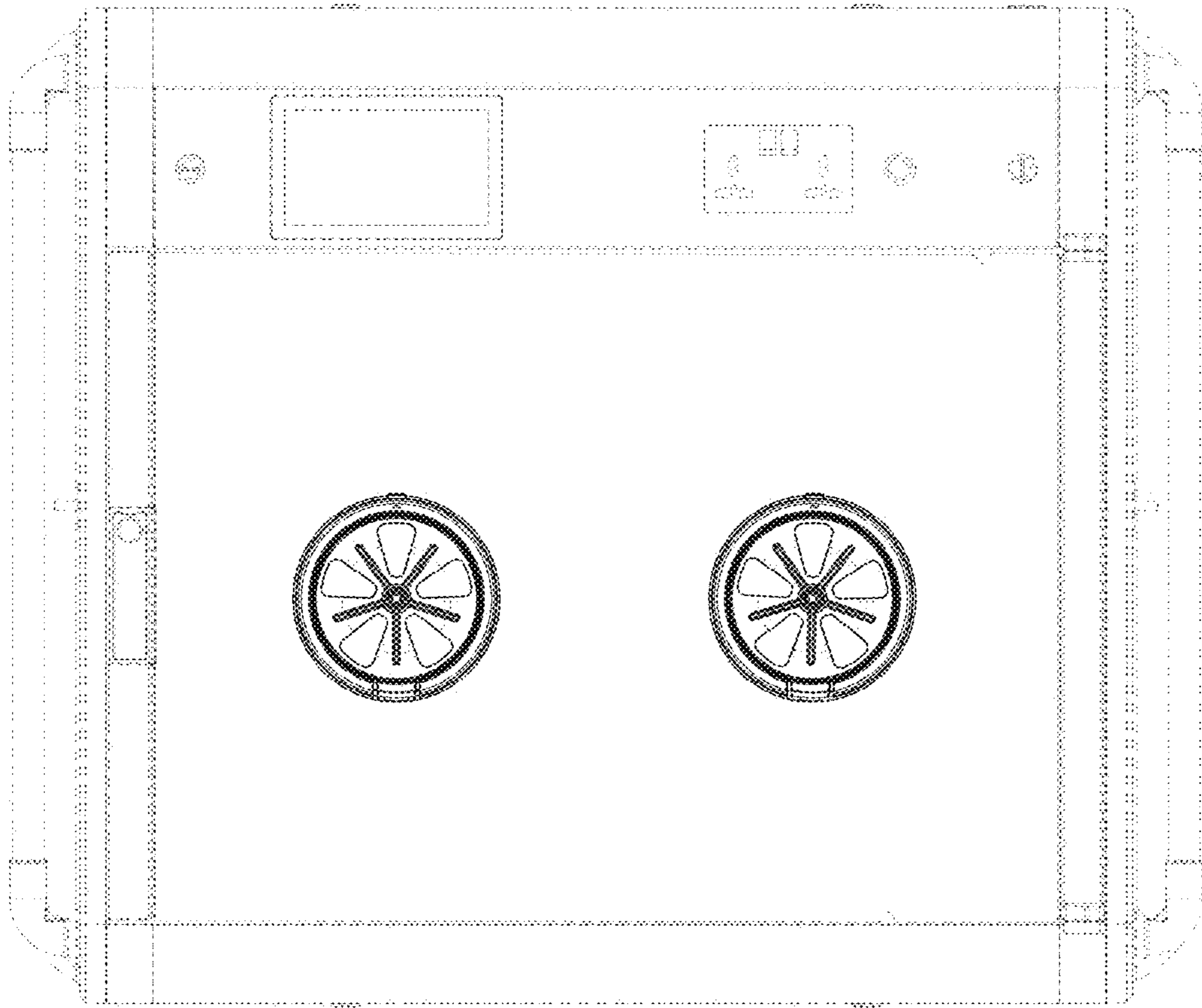


FIG. 2

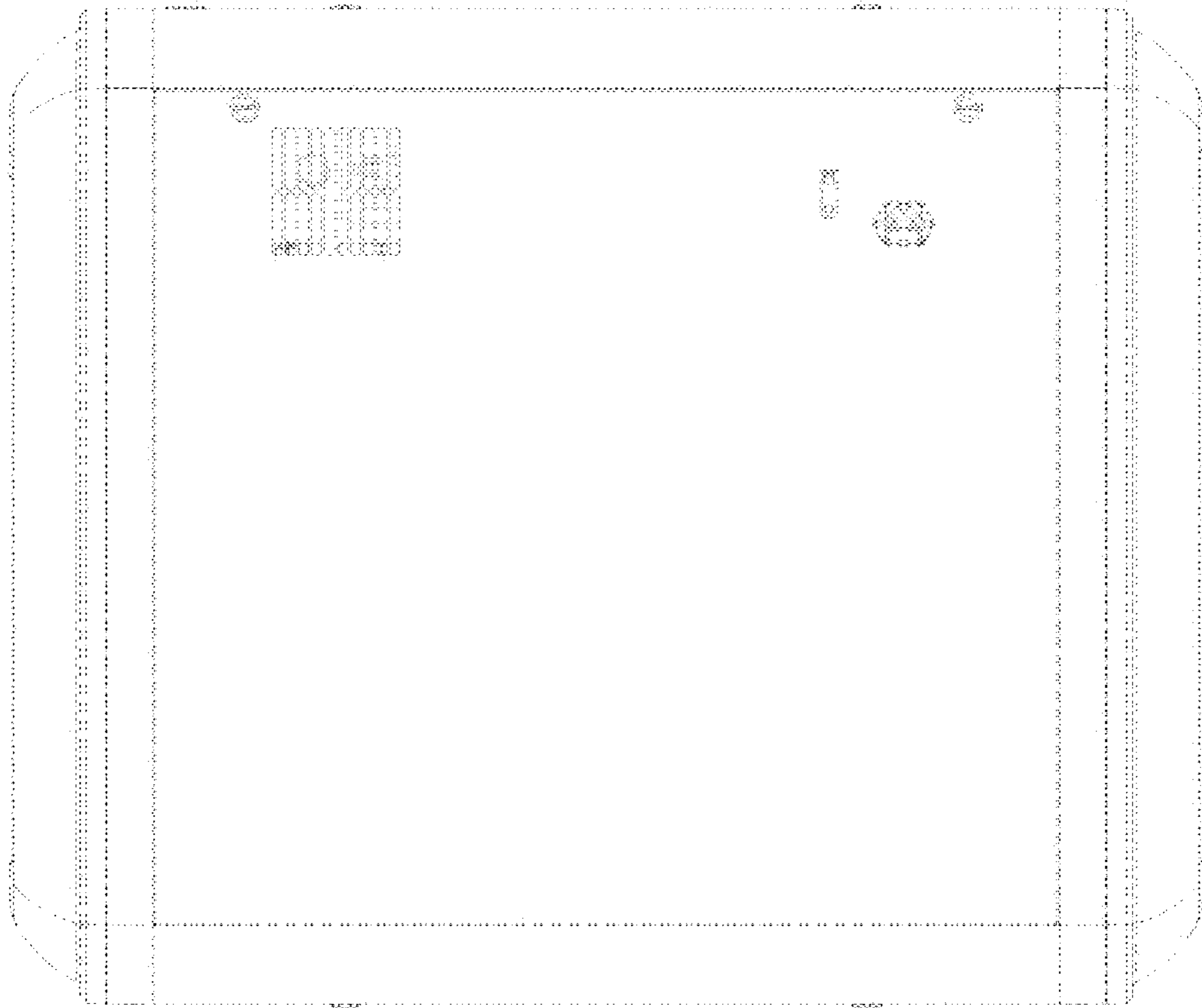


FIG. 3

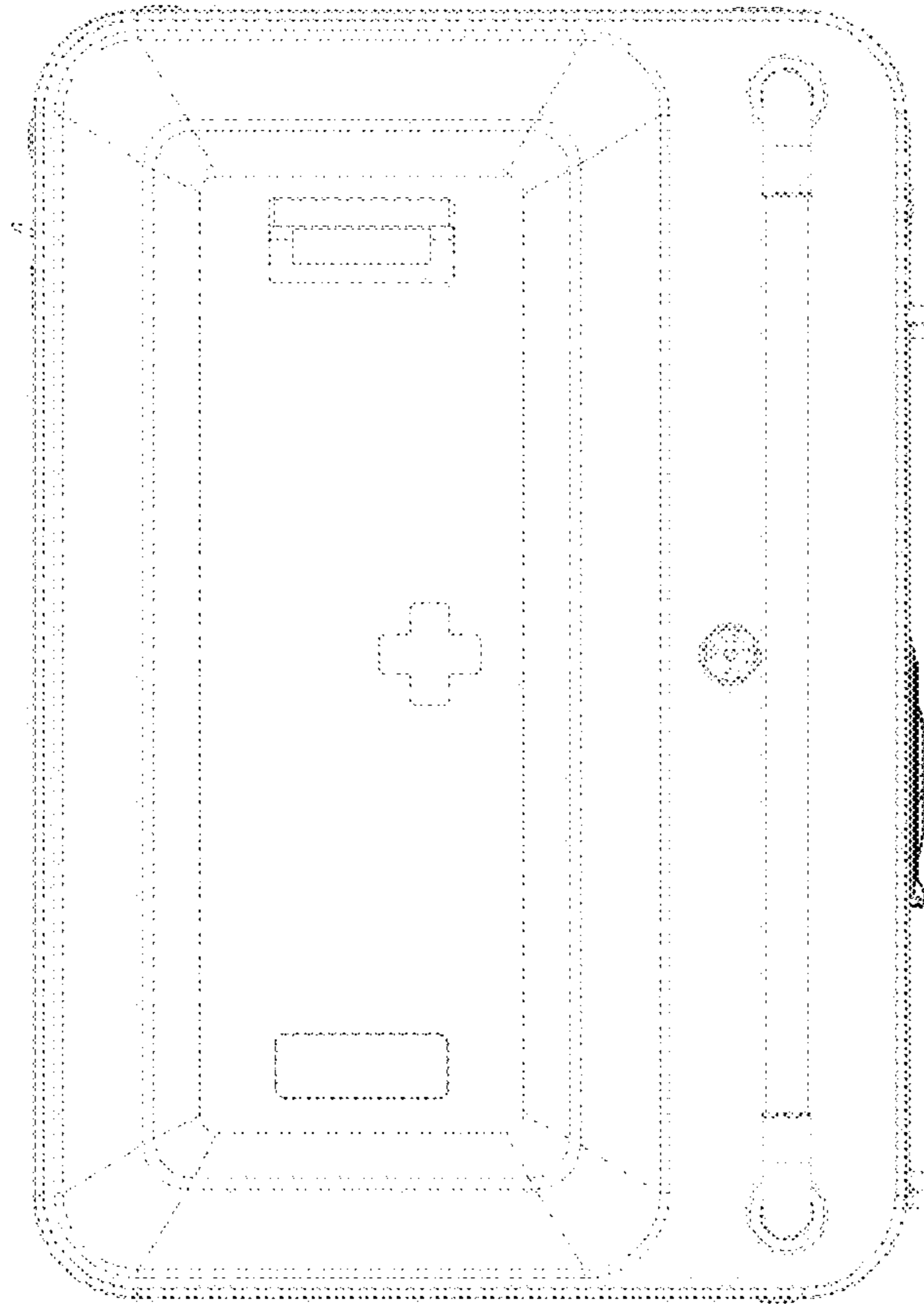


FIG. 4

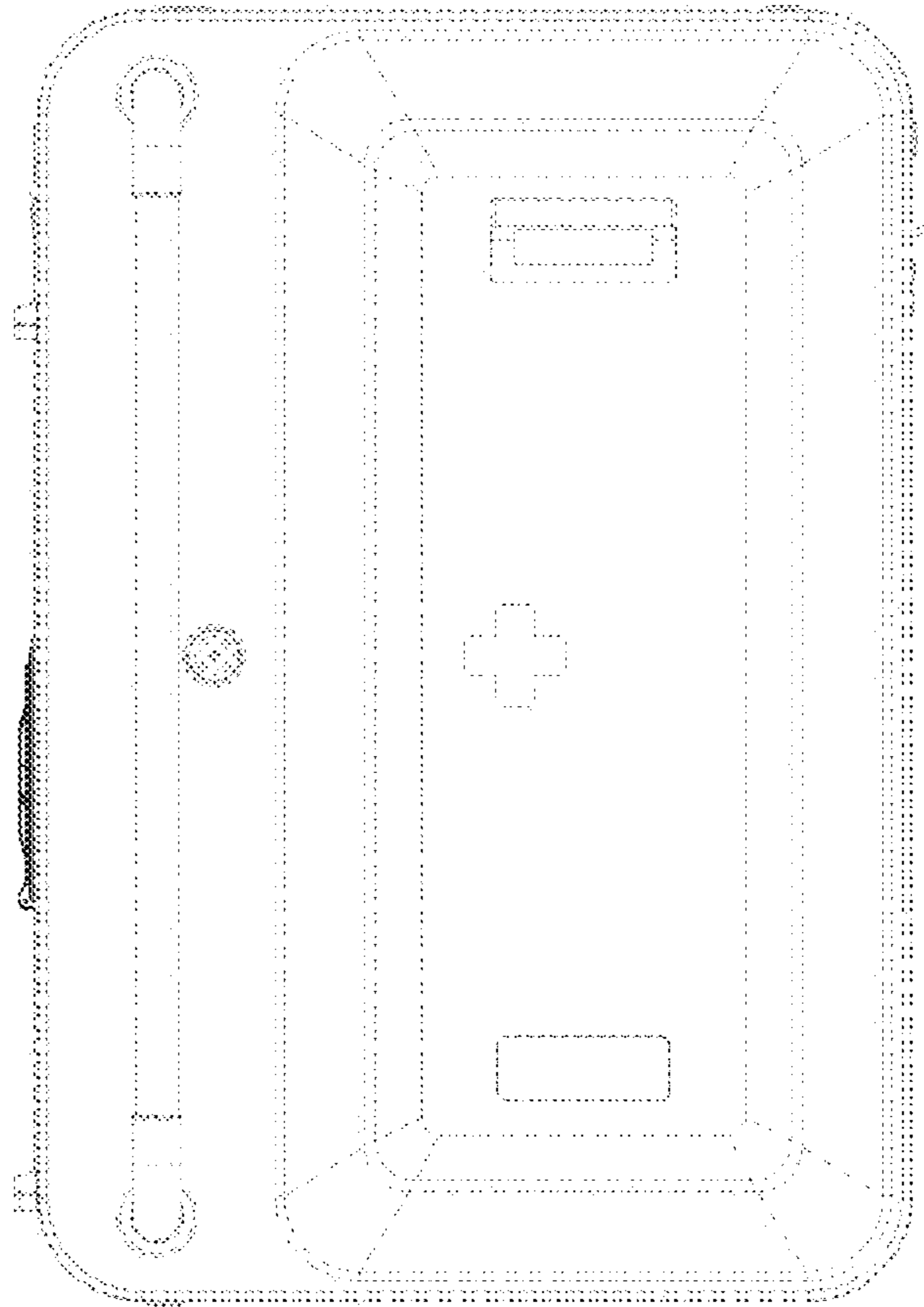


FIG. 5

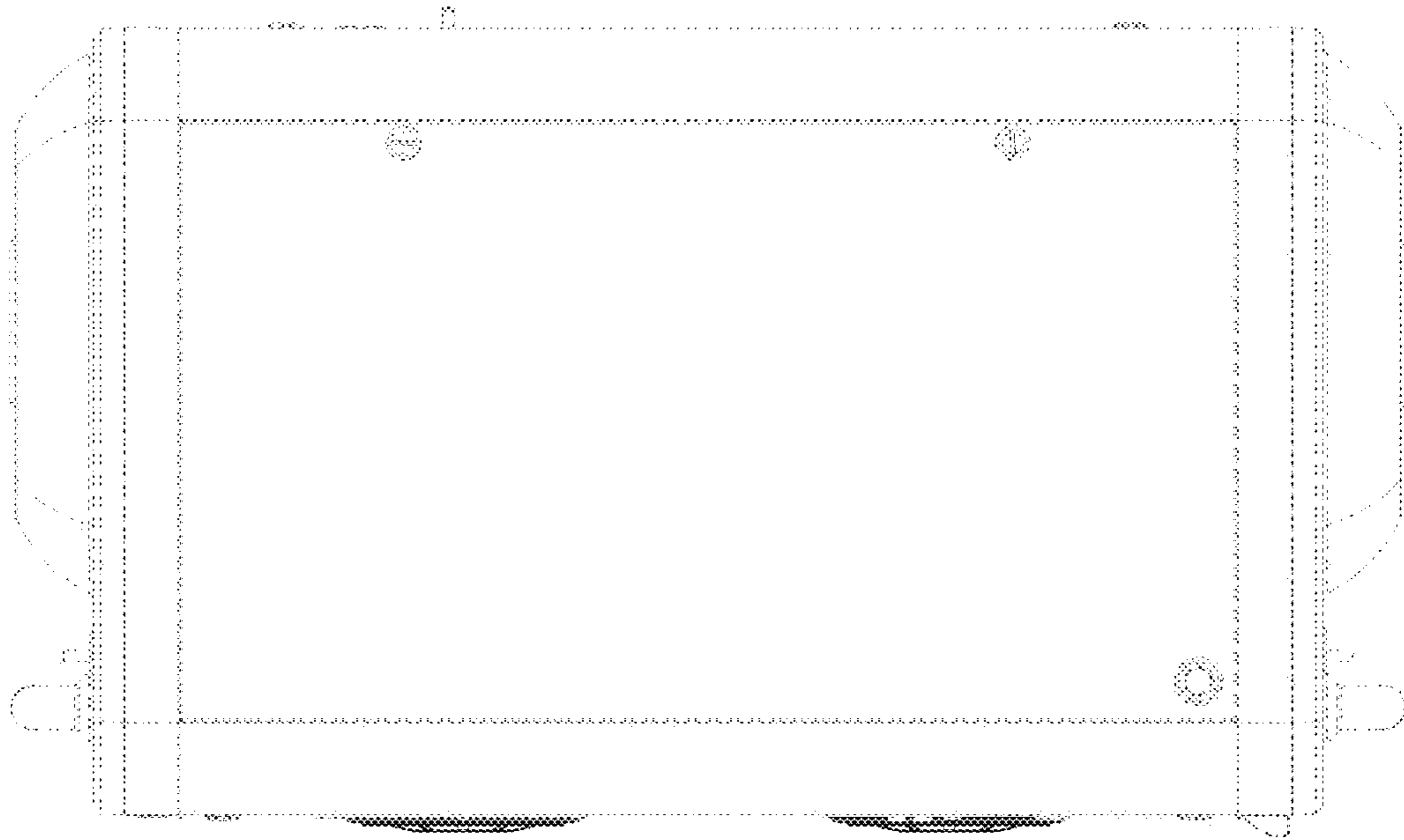


FIG. 6

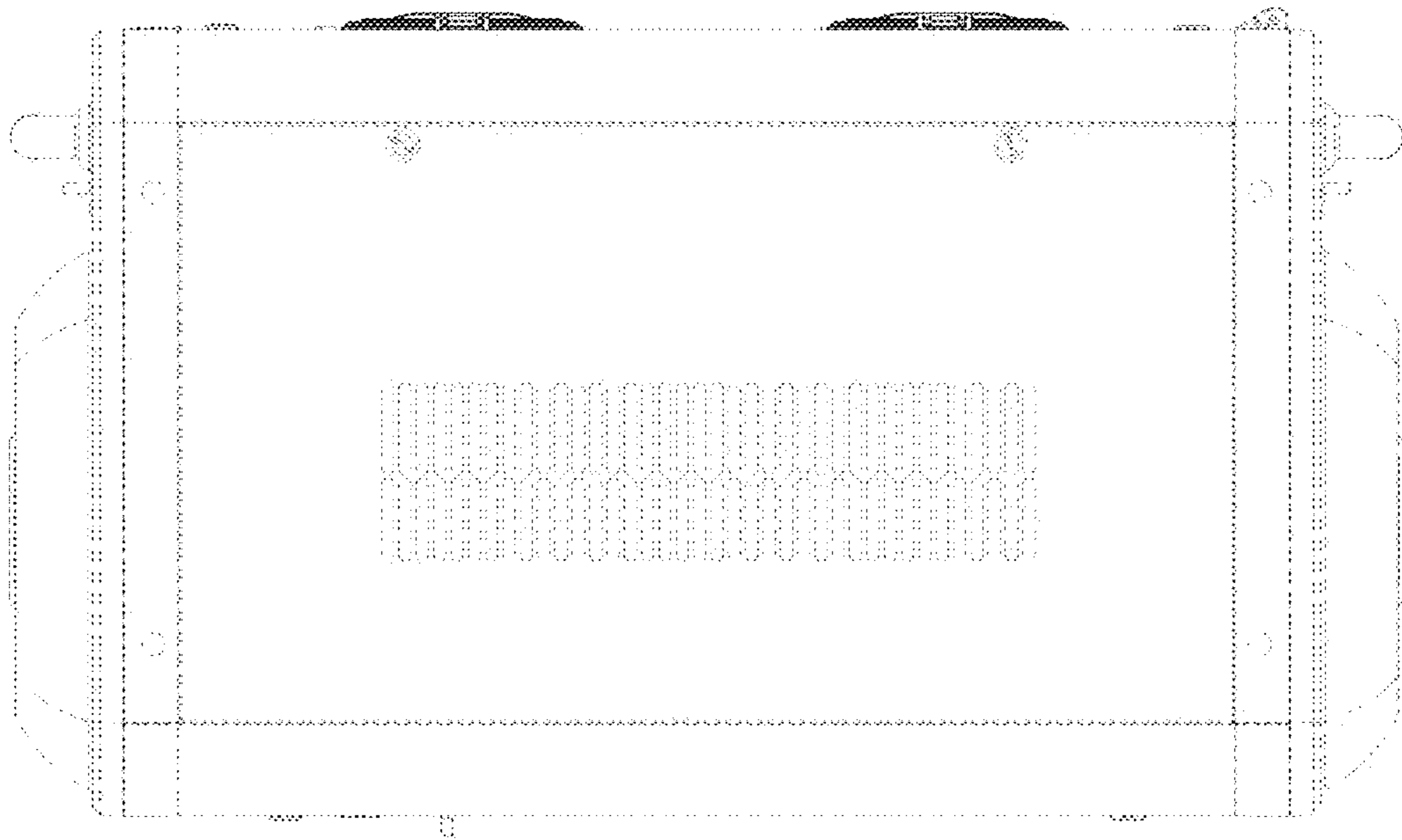


FIG. 7

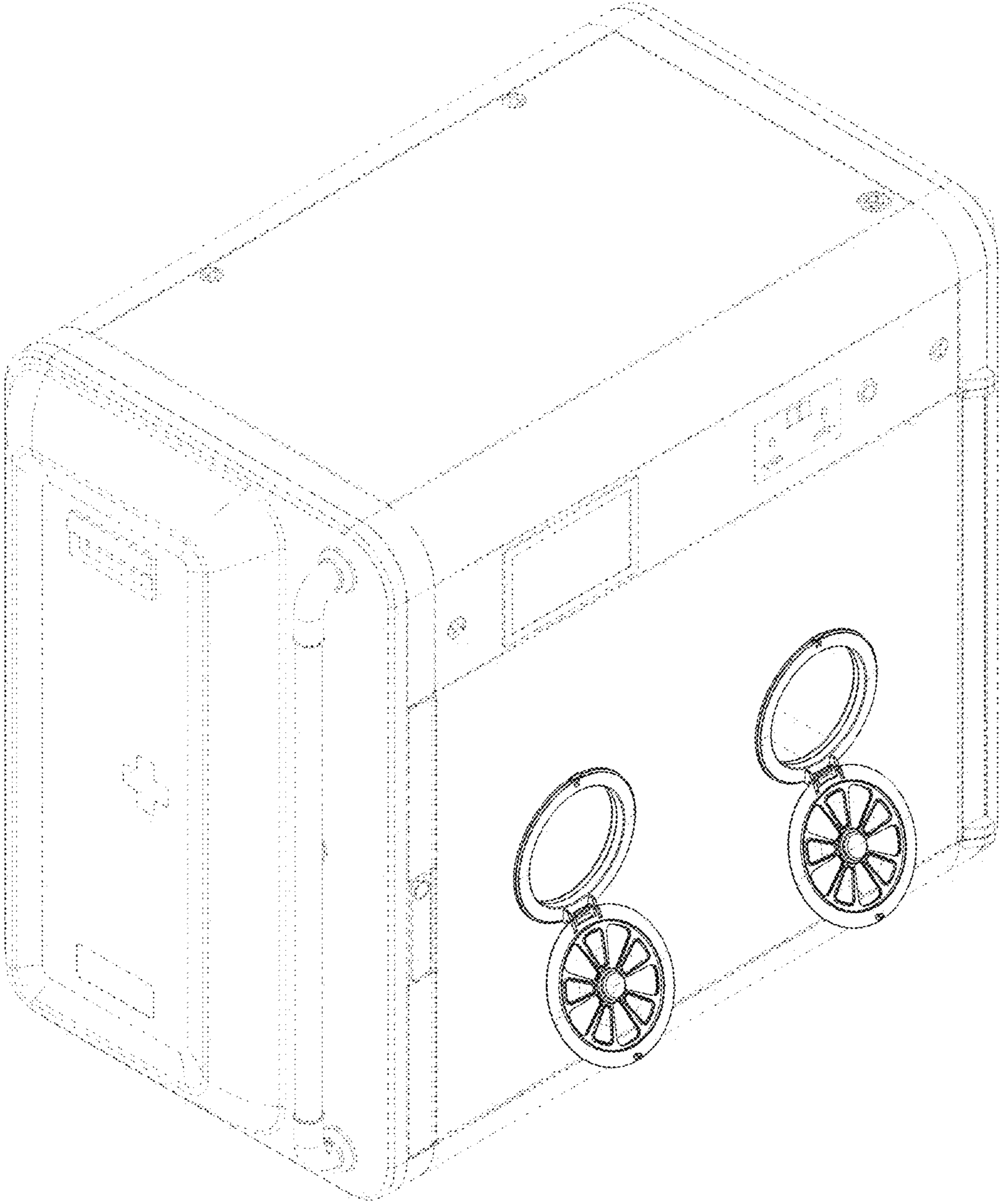


FIG. 8

UNITED STATES PATENT AND TRADEMARK OFFICE
CERTIFICATE OF CORRECTION

PATENT NO. : D897,613 S
APPLICATION NO. : 29/727887
DATED : September 29, 2020
INVENTOR(S) : Jong-yoon Bae

Page 1 of 1

It is certified that error appears in the above-identified patent and that said Letters Patent is hereby corrected as shown below:

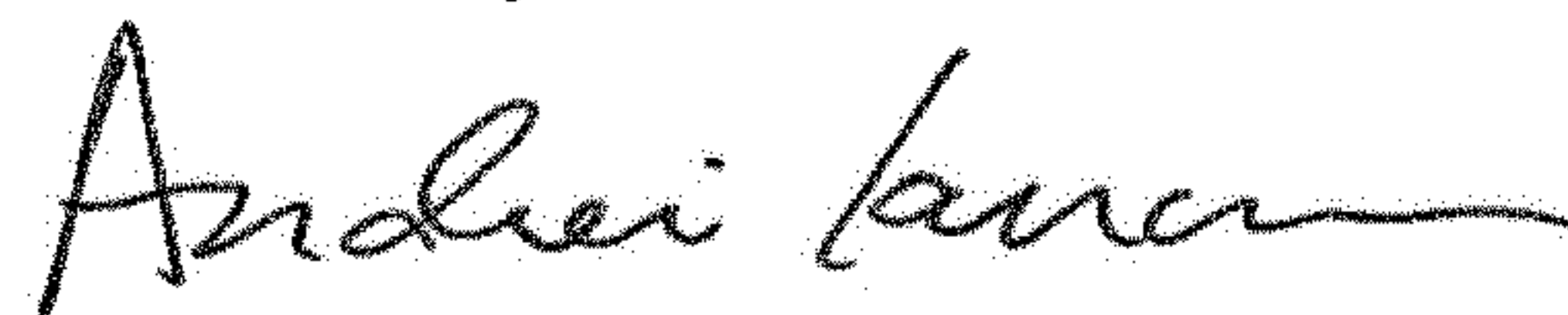
On the Title Page

Item (60) should read:

Related U.S. Application Data

(60) Division of application No. 29/624,358, filed on Oct. 31, 2017, which is a **continuation in part of application No. 29/590,665, filed on Jan. 12, 2017, now Pat. No. Des. 814,719.**

Signed and Sealed this
First Day of December, 2020



Andrei Iancu
Director of the United States Patent and Trademark Office