



US00D897612S

(12) **United States Design Patent** (10) **Patent No.:** **US D897,612 S**
Brown et al. (45) **Date of Patent:** **** Sep. 29, 2020**

(54) **WASTE DISPOSAL BAG**

2001/124; E01H 2001/122; E01H
2001/1226; E01H 2001/1233; A01K
23/00; A01K 23/005

(71) Applicants: **Patricia Brown**, Chicago, IL (US);
Christopher E. L. Toote, Chicago, IL
(US)

See application file for complete search history.

(72) Inventors: **Patricia Brown**, Chicago, IL (US);
Christopher E. L. Toote, Chicago, IL
(US)

(56) **References Cited**

U.S. PATENT DOCUMENTS

2,648,463	A *	8/1953	Scherer	B65D 75/5855 222/107
2,649,604	A *	8/1953	Hess	A47L 13/08 15/236.01
3,676,887	A *	7/1972	Klein	E01H 1/1206 294/1.3
3,813,121	A *	5/1974	Marvin	E01H 1/1206 294/1.3
3,850,467	A *	11/1974	Johnson	E01H 1/1206 294/1.3
3,971,503	A *	7/1976	Allan	B65D 5/08 294/1.3

(Continued)

FOREIGN PATENT DOCUMENTS

WO 2000058562 A1 10/2000

Primary Examiner — Susan Moon Lee

(57) **CLAIM**

We claim the ornamental design for a waste disposal bag, as shown and described.

DESCRIPTION

FIG. 1 is a front view of the waste disposal bag.
FIG. 2 is a back view thereof.
FIG. 3 is a side view thereof.
FIG. 4 is a top view thereof.
FIG. 5 is a bottom view thereof; and,
FIG. 6 is a perspective view thereof.
The broken lines appearing on FIGS. 1, 2, 3, and 6 are environmental matter forming no part of the claimed design.

1 Claim, 4 Drawing Sheets

(**) Term: **15 Years**

(21) Appl. No.: **29/625,070**

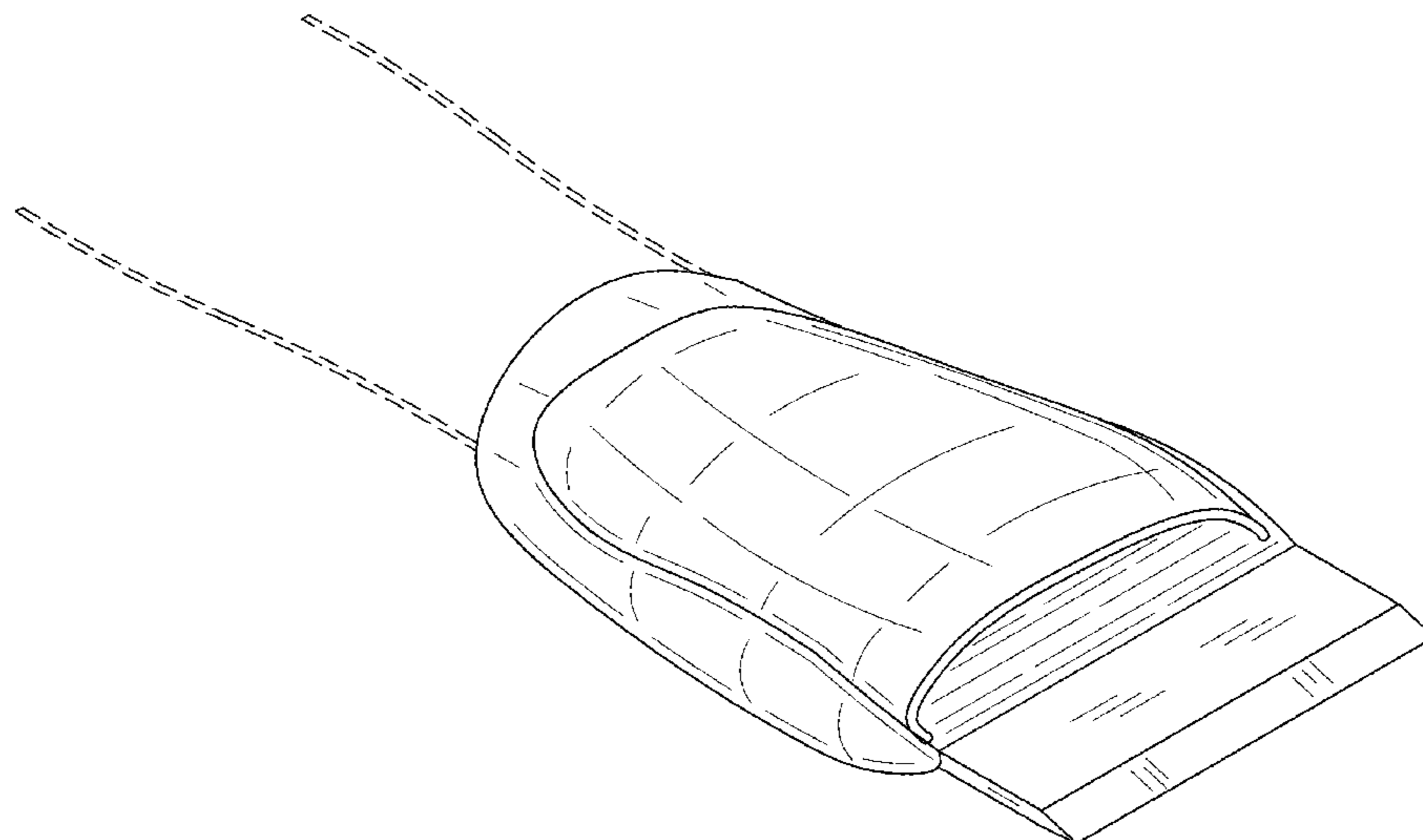
(22) Filed: **Nov. 7, 2017**

(51) **LOC (12) Cl.** **09-09**

(52) **U.S. Cl.**
USPC **D30/162; D34/7**

(58) **Field of Classification Search**
USPC D34/1, 7, 11; D30/161, 162, 199;
D6/512, 515, 518, 519; D3/203.5, 244,
D3/201, 231, 243, 245, 251, 268, 290,
D3/303; D9/702-711, 715-721, 761,
D9/414, 433, 499, 416, 418, 420, 734;
D24/121; 383/63, 42, 43, 93, 95, 97, 1,
383/21, 104, 121, 25, 14, 10, 61.2, 8;
604/385.02, 385.13, 358, 11, 359;
206/554, 440, 205, 438; 221/155;
229/175, 132; 294/1.3, 25, 1.5, 50.6,
294/176, 180, 58, 59; 15/227; 2/158;
493/194, 223, 226, 231, 235, 239, 346,
493/381

CPC A61F 13/551; A61F 13/5518; A61F
13/15252; A61F 2013/55195; A61F
15/003; A41D 19/0075; A41D 19/0024;
A41D 19/01; B65F 1/0006; B65F
2210/102; B65F 2240/164; B65D 33/001;
B65D 33/065; B65D 33/10; B65D
33/2508; B65D 75/008-30; B65D 75/56;
B65D 75/52; B65D 75/566-5883; B65D
2575/586; B65D 83/08; B65B 3/17;
E01H 1/12; E01H 1/1206; E01H
2001/126; E01H 2001/128; E01H



(56)

References Cited

U.S. PATENT DOCUMENTS

4,132,442 A *	1/1979	Larsson	E01H 1/1206	5,149,159 A	9/1992	Bardes	
				294/1.3	D334,638 S *	4/1993	Blackman 294/1.3
4,138,153 A *	2/1979	Brown	E01H 1/1206	5,222,777 A	6/1993	Clonch	
				15/257.1	D338,755 S *	8/1993	Belchik D32/49
4,193,157 A *	3/1980	Large	B65F 1/10	5,725,268 A *	3/1998	Besasie E01H 1/1206
				15/257.1				294/1.3
4,251,097 A *	2/1981	Whitten, II	E01H 1/1206	D460,223 S *	7/2002	Daniels D30/162
				294/1.3	6,611,961 B2	9/2003	Demeur	
4,741,565 A *	5/1988	Bagg	E01H 1/1206	6,832,796 B1 *	12/2004	Minassians E01H 1/1206
				15/257.1				294/1.3
4,747,633 A	5/1988	Thomas			D644,798 S	9/2011	Sendra	
4,752,093 A *	6/1988	Haber	E01H 1/1206	8,672,372 B2	3/2014	Gabriel	
				15/104.8	2008/0106108 A1 *	5/2008	Lau E01H 1/1206
4,836,594 A *	6/1989	Spreiter	E01H 1/1206				294/1.3
				294/1.3	2008/0174128 A1	7/2008	Jezzi	
5,064,233 A *	11/1991	Sloan	E01H 1/1206	2009/0315349 A1 *	12/2009	Black E01H 1/1206
				15/257.7				294/1.3
D323,572 S *	1/1992	Waites	D32/41	2013/0104282 A1 *	5/2013	Kessel A61D 9/00
								2/160
					2014/0233870 A1 *	8/2014	Ohanna E01H 1/1206
								383/105

* cited by examiner

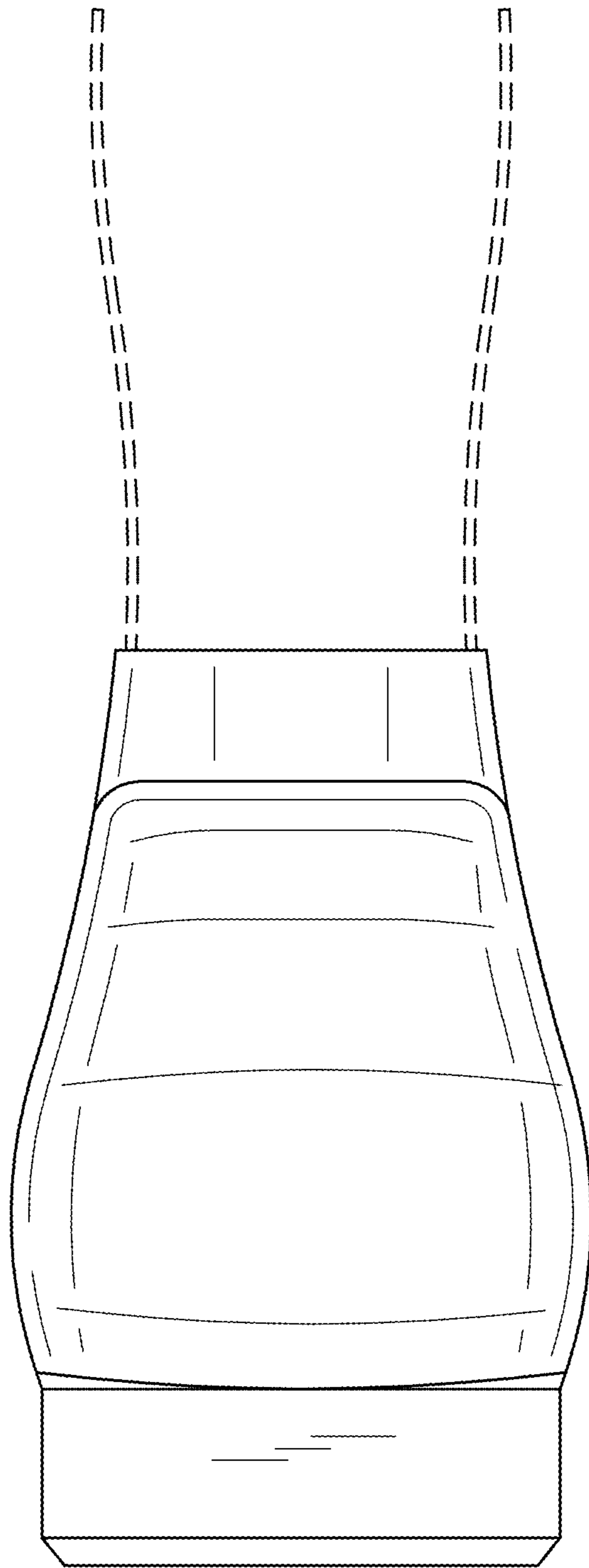


FIG. 1

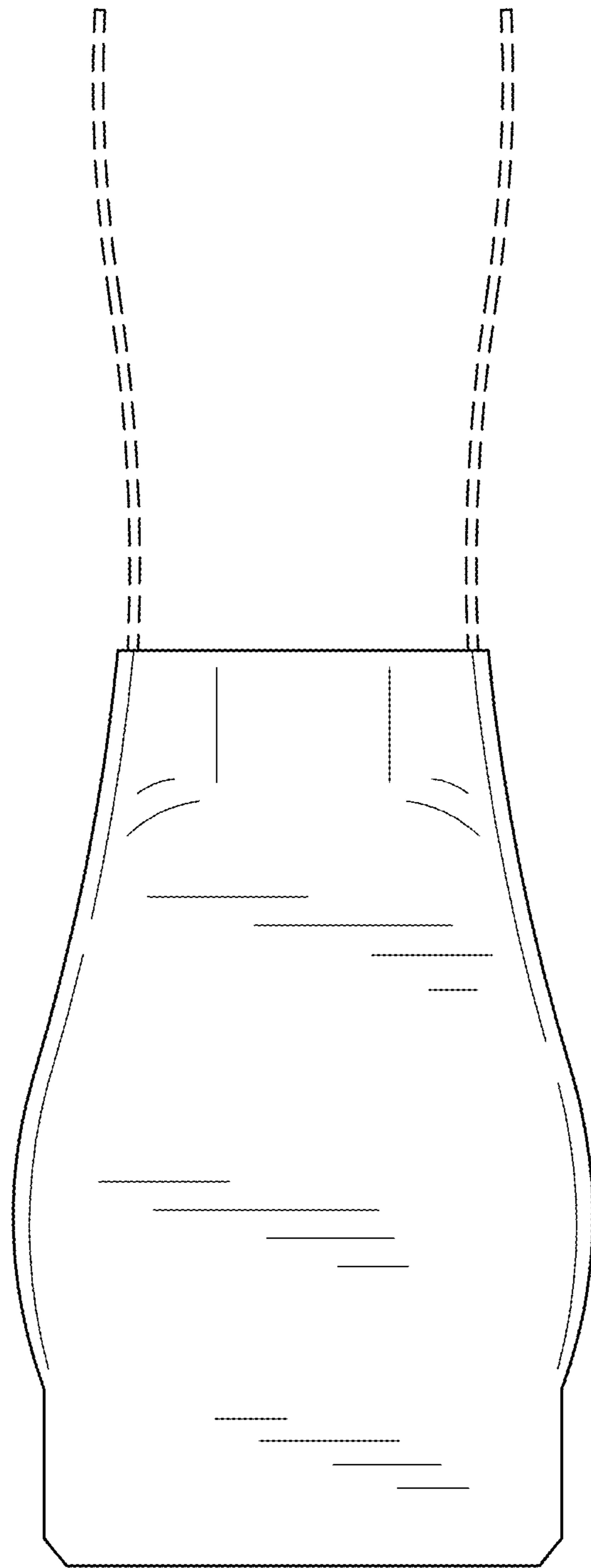


FIG. 2

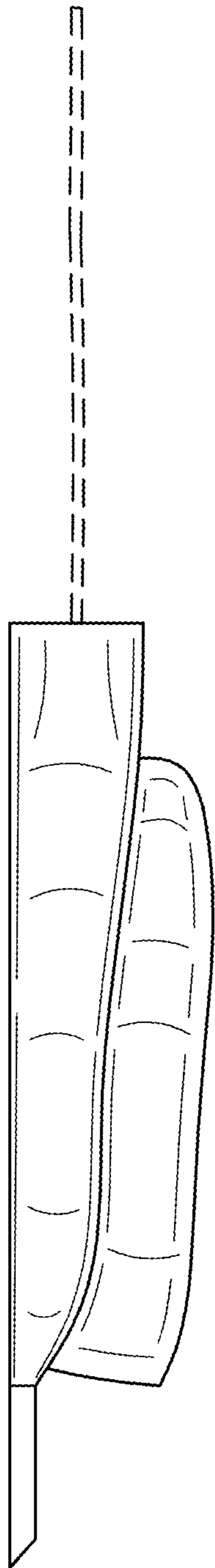


FIG. 3

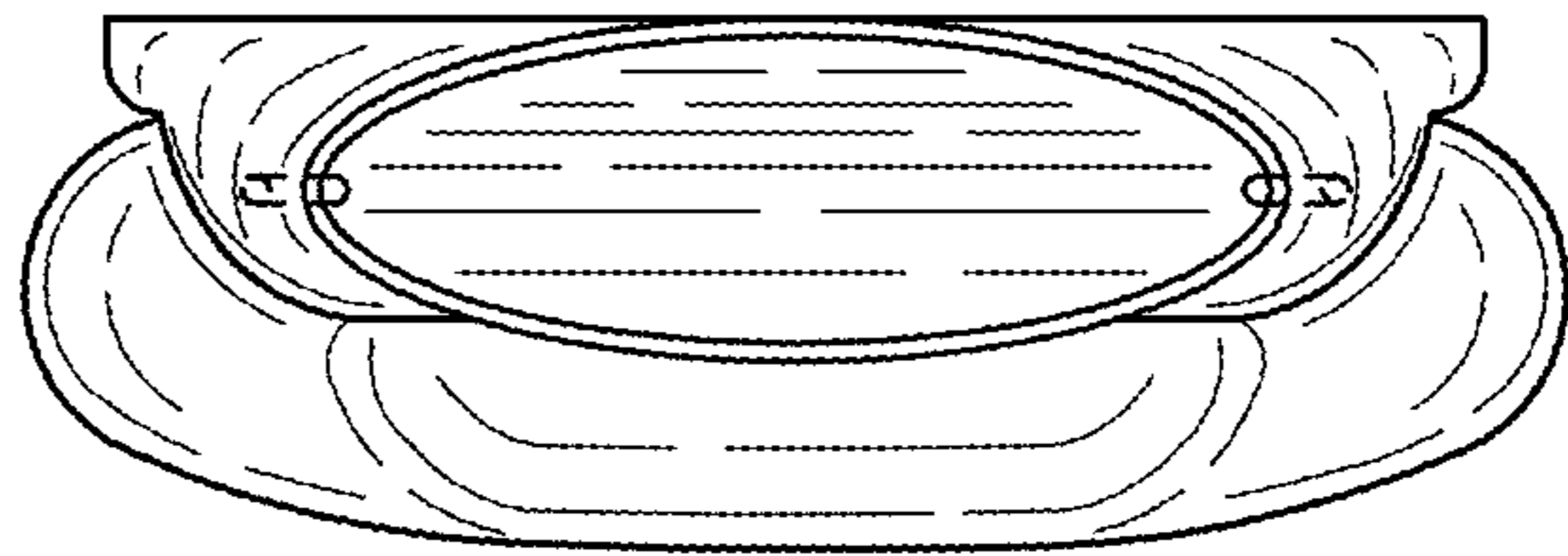


FIG. 4

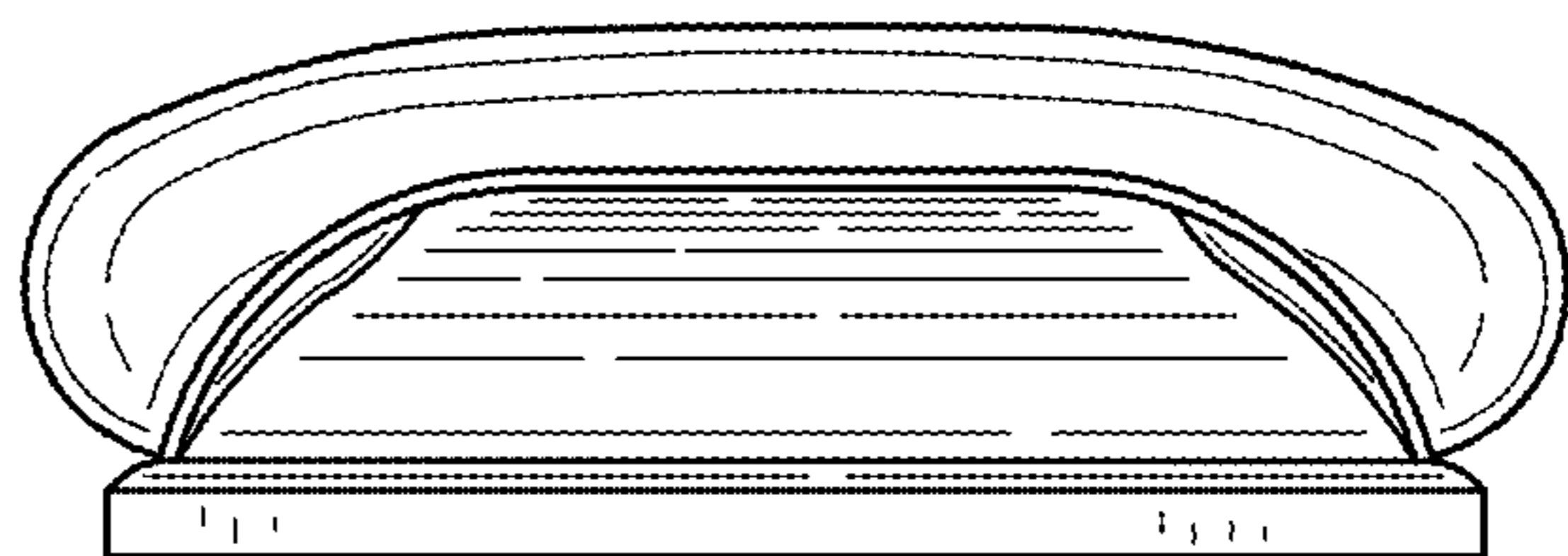


FIG. 5

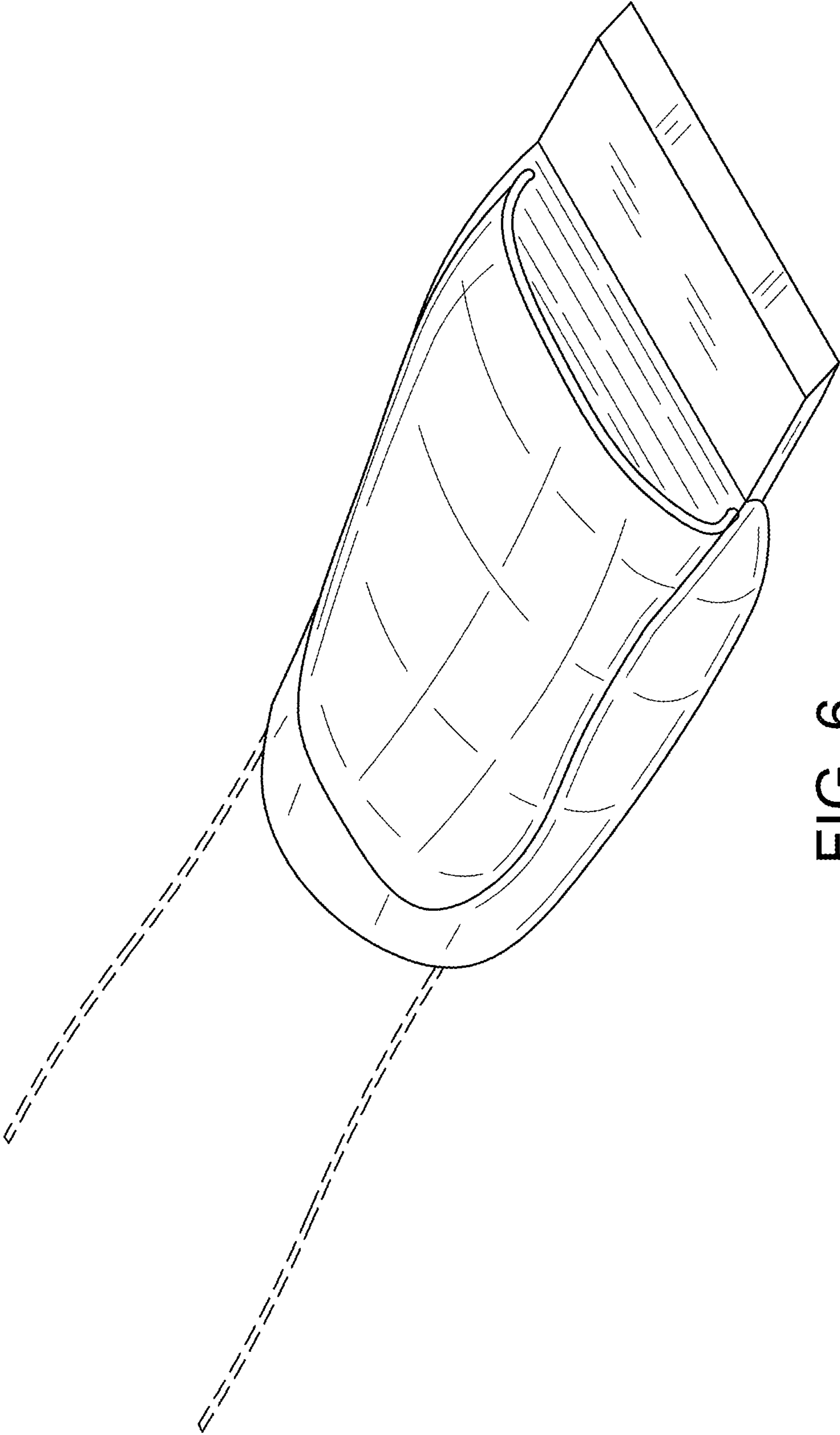


FIG. 6