



US00D897610S

(12) **United States Design Patent** (10) **Patent No.:** **US D897,610 S**
Baxter et al. (45) **Date of Patent:** **** Sep. 29, 2020**

(54) **FEEDER HOUSING FOR DOMESTIC ANIMALS**

(71) Applicant: **Automated Pet Care Products, Inc.**, Auburn Hills, MI (US)

(72) Inventors: **Brad Baxter**, Bloomfield Hills, MI (US); **Jason Smith**, West Bloomfield, MI (US); **Jason Weihman**, Troy, MI (US)

(73) Assignee: **AUTOMATED PET CARE PRODUCTS, LLC**, Auburn Hills, MI (US)

(**) Term: **15 Years**

(21) Appl. No.: **29/692,693**

(22) Filed: **May 28, 2019**

(51) **LOC (12) Cl.** **30-07**

(52) **U.S. Cl.**
USPC **D30/122**

(58) **Field of Classification Search**
USPC D30/121, 122, 129-133, 120; 119/61.5, 119/51.01, 61.56, 51.03, 59, 62, 63, 51.5, 119/57.8, 74, 61.54, 61.55, 53, 53.5, 75, 119/56.2, 51.02, 51.11, 51.12, 57.1, 52.1, 119/515; 312/204; 248/151, 188; 108/156, 153.1-157; 220/23.87, 630, 220/737, 743, 9.4, 495.01, 574, 212, 255, 220/23.83; 206/515; D7/586, 543, D7/550.1, 587, 505, 584, 545, 500, D7/553.1-553.8, 546, 555, 556, 504, 565, D7/562, 602, 605, 312, 313, 320, 307, D7/306, 309, 354, 311, 399, 397, 323, D7/332, 331, 347, 346, 322, 318, 317, D7/316, 619.1; D9/429; 43/109; D22/122; 99/430, DIG. 15, 280, 285, 99/312; 222/209, 131, 363, 349, 517, 222/153.13, 401, 1, 146.5, 23, 54, 64, 51, 222/156, 399, 400.8; 219/438, 439, 441, 219/385, 386, 402, 407; 210/94, 184, 210/474, 477

CPC A01K 5/02; A01K 5/0225; A01K 5/0114; A01K 5/025; A01K 5/0266; A01K 5/0275; A01K 5/0283; A01K 5/0291; A01K 5/0258; A01K 5/0142; A01K 5/0233; A01K 29/00; A01K 7/00; G01F 11/24; G01F 23/02; B67D 1/0425; B67D 1/04; B67D 1/00; B67D 1/02; B67D 1/0871; B67D 1/0802; A47J 41/0033; A47J 41/005; A47J 41/0088;

(Continued)

(56) **References Cited**

U.S. PATENT DOCUMENTS

852,603 A 5/1907 Hanlon
1,022,774 A 4/1912 Christ

(Continued)

Primary Examiner — Susan Moon Lee

(74) *Attorney, Agent, or Firm* — The Dobrusin Law Firm, P.C.; Daniel M. Thompson-Walters

(57) **CLAIM**

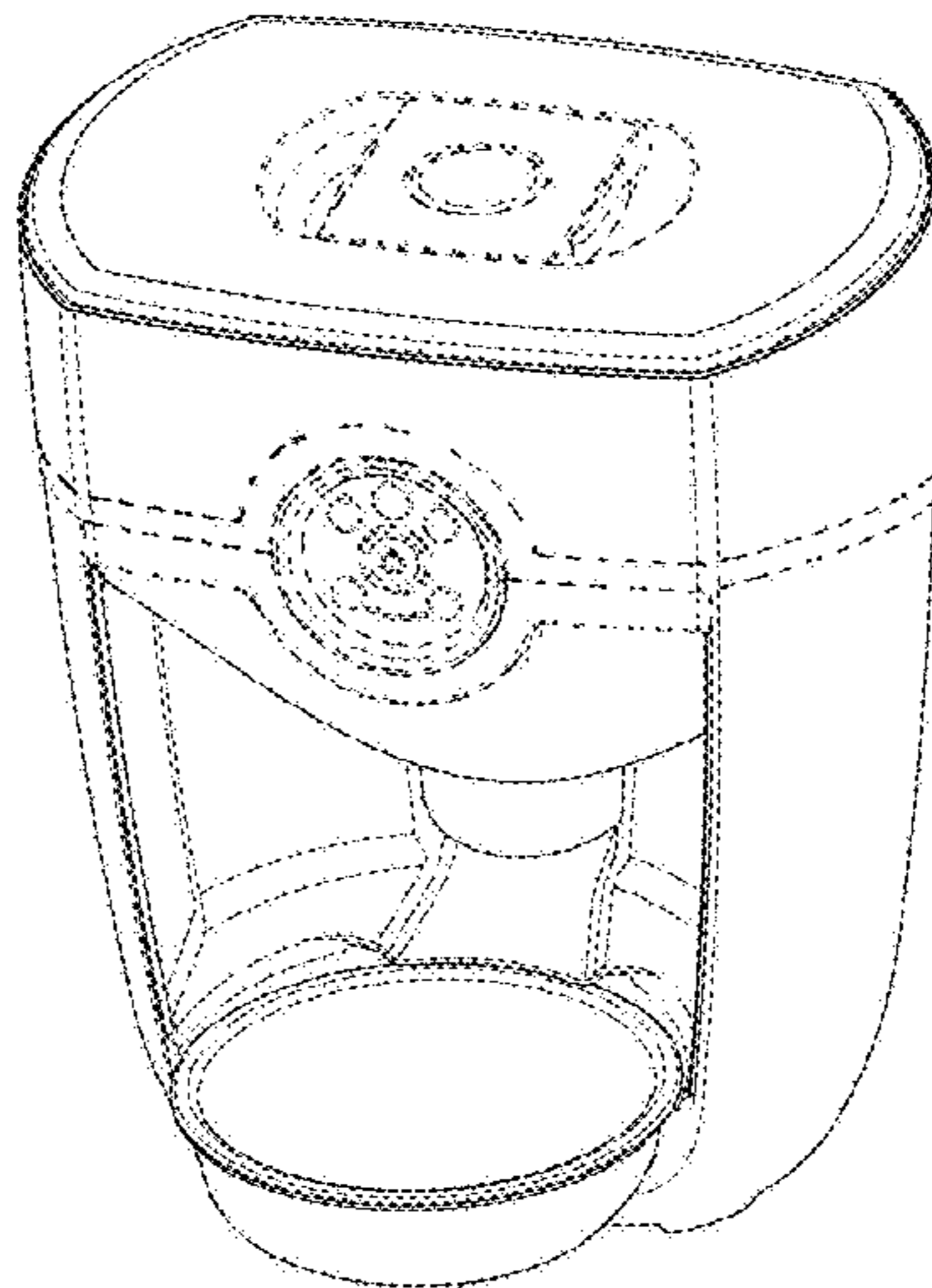
We claim the ornamental design for a feeder housing for domestic animals, as shown and described.

DESCRIPTION

FIG. 1 is a front perspective view of a feeder housing for domestic animals;
FIG. 2 is a rear perspective view thereof;
FIG. 3 is a front view thereof;
FIG. 4 is a rear view thereof;
FIG. 5 is a left side view thereof;
FIG. 6 is a right side view thereof;
FIG. 7 is a top view thereof; and,
FIG. 8 is a bottom view thereof.

The broken lines depict unclaimed features of the feeder housing for domestic animals that form no part of the design claim but are shown illustratively.

1 Claim, 8 Drawing Sheets



US D897,610 S

(58) **Field of Classification Search**
 CPC A47J 41/0094; A47J 31/04; A47J 31/053;
 B05B 11/00; B05B 11/0002; B05B
 11/0005; B05B 11/001; C02F 1/003;
 C02F 1/283; C02F 2307/02
 See application file for complete search history.

(56) **References Cited**

U.S. PATENT DOCUMENTS

2,042,455 A 6/1936 Barrott
 2,475,381 A 7/1949 Erickson
 2,575,967 A 11/1951 May
 2,869,638 A 1/1959 Sullivan
 2,920,796 A 1/1960 Field
 3,033,164 A 5/1962 Evers
 3,169,675 A 2/1965 Gutzmann et al.
 3,340,851 A * 9/1967 Frank A01K 5/0291
 119/51.13
 3,568,893 A * 3/1971 Becker G01F 11/24
 222/363
 3,645,422 A 2/1972 Cretors
 3,720,184 A * 3/1973 Pearce A01K 5/0225
 119/51.5
 3,754,527 A * 8/1973 Jenkins A01K 5/0291
 119/51.14
 3,894,660 A 7/1975 Snyder
 4,000,719 A 1/1977 Richards
 4,034,715 A * 7/1977 Amer A01K 5/0114
 119/51.5
 4,079,699 A * 3/1978 Longmore A01K 5/0291
 119/51.11
 4,279,221 A * 7/1981 Arvizu A01K 5/0291
 119/51.11
 4,315,483 A * 2/1982 Scheidler A01K 5/0291
 119/51.11
 4,485,765 A * 12/1984 Schwartz A01K 5/0291
 119/51.13
 4,511,067 A 4/1985 Martin et al.
 4,721,063 A * 1/1988 Atchley A01K 5/0114
 119/52.1
 4,733,634 A * 3/1988 Hooser A01K 7/02
 119/51.12
 4,735,171 A * 4/1988 Essex A01K 5/0291
 119/51.12
 4,841,913 A * 6/1989 Forrer A01K 5/0291
 119/51.12
 4,957,219 A 9/1990 Robbins et al.
 5,052,288 A 10/1991 Marquez
 5,054,657 A 10/1991 Morse et al.
 D330,098 S * 10/1992 VanSkiver D30/121
 5,230,300 A * 7/1993 Mezhinsky A01K 5/0291
 119/51.11
 5,239,943 A * 8/1993 Kim A01K 5/0291
 119/51.12
 5,259,533 A 11/1993 Kornfein et al.
 D341,984 S * 12/1993 Nurmesniemi D7/300
 D343,089 S * 1/1994 MacDonald D7/306
 5,303,672 A 4/1994 Morris
 D351,261 S * 10/1994 Woo D30/122
 5,351,649 A * 10/1994 Rovira Badia A01K 5/0225
 119/53.5
 5,353,739 A * 10/1994 Chu A01K 5/0233
 119/51.03
 5,809,934 A * 9/1998 Gavet A01K 7/02
 119/52.1
 D405,560 S * 2/1999 Chrisco D30/121
 5,908,007 A 6/1999 Duin
 5,927,558 A 7/1999 Bruce
 5,957,082 A 9/1999 Budman et al.
 6,029,828 A 2/2000 Robbins et al.
 D432,279 S * 10/2000 Kim D30/121
 6,142,099 A * 11/2000 Lange, Jr. A01K 5/0142
 119/51.5

6,158,623 A * 12/2000 Benavides A47G 19/24
 222/129
 6,234,111 B1 5/2001 Ulman et al.
 6,681,718 B1 * 1/2004 McIlarky A01K 5/0291
 119/51.11
 D487,376 S * 3/2004 Uneo D7/300
 6,748,898 B2 6/2004 Ulman et al.
 6,789,503 B1 9/2004 Gao
 D500,636 S 1/2005 Levy et al.
 6,863,025 B2 * 3/2005 Ness A01K 7/02
 119/51.5
 D507,936 S 8/2005 Gold et al.
 6,964,355 B2 11/2005 Landau et al.
 7,111,581 B2 9/2006 Kubala et al.
 D531,457 S 11/2006 Gold et al.
 D552,401 S * 10/2007 Picozza D7/306
 D558,506 S * 1/2008 Garman D7/306
 D572,965 S * 7/2008 Steiner D7/309
 D577,252 S * 9/2008 Kotoku D7/309
 7,426,901 B2 9/2008 Turner et al.
 D581,196 S * 11/2008 Kassenaar D7/306
 D581,197 S * 11/2008 Kassenaar D7/306
 D582,193 S * 12/2008 Picozza D7/306
 D593,355 S * 6/2009 Girard D7/306
 D594,266 S * 6/2009 Nakatani D7/306
 D597,368 S * 8/2009 Steiner D7/309
 D598,701 S * 8/2009 Okajima D7/358
 D599,606 S * 9/2009 Wakita D7/306
 7,597,219 B2 10/2009 O'Leary
 7,731,063 B2 6/2010 Rusch
 D618,950 S * 7/2010 Jaffe D7/306
 D637,769 S * 5/2011 Weber D30/121
 D637,859 S * 5/2011 Orkney D7/306
 D649,826 S * 12/2011 Garman D7/306
 8,100,084 B1 1/2012 Abramson
 8,161,911 B2 4/2012 Jalbert et al.
 D666,864 S * 9/2012 Dahlstrom D7/309
 D667,674 S * 9/2012 Wilder D7/306
 D677,509 S * 3/2013 Wang D7/306
 D681,386 S * 5/2013 Pininfarina D7/306
 D681,387 S * 5/2013 Pininfarina D7/306
 D683,174 S * 5/2013 Regamey D7/306
 8,534,507 B2 9/2013 Gronholm
 8,578,882 B2 * 11/2013 Araujo A01K 5/02
 119/51.01
 D699,400 S * 2/2014 Itzhak-Sigron D30/121
 8,701,595 B2 4/2014 Jin et al.
 D707,791 S * 6/2014 Beghelli D23/207
 8,776,725 B1 7/2014 Grijalva
 D712,187 S * 9/2014 Wilder D7/306
 8,905,272 B2 12/2014 Chan et al.
 D721,248 S * 1/2015 Manly D7/306
 D721,531 S * 1/2015 Krasne D7/309
 D722,463 S * 2/2015 Manly D7/306
 D723,315 S * 3/2015 Wilder D23/209
 D723,318 S * 3/2015 Andreesen D7/306
 D731,124 S * 6/2015 Shin D30/122
 D736,481 S * 8/2015 Cornwell D30/122
 9,137,967 B2 * 9/2015 Lathim A01K 5/0225
 9,161,514 B2 10/2015 Baxter
 9,192,142 B2 11/2015 Jackson
 9,198,398 B2 * 12/2015 Rogers A01K 7/06
 D747,047 S * 1/2016 Cornwell D30/122
 9,247,713 B2 * 2/2016 Massicotte A01K 5/0275
 9,402,373 B2 * 8/2016 Massicotte A01K 5/0275
 D806,958 S * 1/2018 Maloney D30/122
 D822,292 S * 7/2018 Hua D30/122
 10,098,321 B2 * 10/2018 McKay A01K 7/00
 D835,356 S * 12/2018 Xie D30/122
 D836,850 S * 12/2018 Li D30/122
 D840,115 S * 2/2019 Nieves D30/122
 D843,665 S * 3/2019 Zeng D30/122
 D844,258 S * 3/2019 Xu D30/122
 D846,815 S * 4/2019 Darkwah D30/132
 D853,166 S * 7/2019 Koury D7/306
 D853,167 S * 7/2019 Koury D7/306
 D853,770 S * 7/2019 Koury D7/306
 D854,365 S * 7/2019 Hines D7/306
 D868,528 S * 12/2019 Naito D7/354

(56)

References Cited

U.S. PATENT DOCUMENTS

D876,022 S * 2/2020 Hua D30/122
 D876,023 S * 2/2020 Eom D30/122
 D877,424 S * 3/2020 Xu D30/122
 D878,844 S * 3/2020 Zisman D7/306
 2002/0096120 A1 7/2002 Busha
 2004/0129229 A1 7/2004 Blais et al.
 2005/0252457 A1 11/2005 Morosin et al.
 2006/0196433 A1* 9/2006 Ness A01K 5/0114
 119/52.1
 2010/0147226 A1 6/2010 Tsengas
 2010/0263596 A1 10/2010 Schumann et al.
 2011/0297090 A1* 12/2011 Chamberlain A01K 5/0291
 119/51.02
 2012/0145085 A1* 6/2012 Massicotte A01K 5/0275
 119/51.11
 2013/0092090 A1* 4/2013 McCallum A01K 1/0356
 119/74
 2013/0098298 A1* 4/2013 Manickchan A01K 5/0275
 119/51.11
 2013/0213308 A1* 8/2013 Koskey, Jr. A01K 7/027
 119/74
 2013/0298839 A1* 11/2013 Richards C02F 1/008
 119/75

2013/0333622 A1* 12/2013 Jin A01K 5/0291
 119/51.01
 2015/0068463 A1* 3/2015 Worry A01K 5/0291
 119/57.1
 2015/0090186 A1* 4/2015 Massicotte A01K 5/0275
 119/51.11
 2015/0101543 A1* 4/2015 Baxter A01K 5/0142
 119/498
 2015/0143750 A1* 5/2015 Jalbert A01K 5/0291
 49/25
 2015/0164044 A1* 6/2015 Powers A01K 5/0114
 119/61.5
 2015/0327514 A1 11/2015 Clark et al.
 2015/0342143 A1 12/2015 Stewart
 2016/0029592 A1 2/2016 Springer et al.
 2016/0286755 A1* 10/2016 Feng A01K 5/0291
 2017/0099804 A1* 4/2017 Chang H04Q 9/00
 2017/0199982 A1 7/2017 Brockway
 2017/0238503 A1* 8/2017 Deritis A01K 5/0275
 2019/0029221 A1* 1/2019 Anderton A01K 5/0233
 2019/0029222 A1* 1/2019 Anderton A01K 5/0275
 2019/0059322 A1* 2/2019 Xu A01K 7/02
 2020/0037579 A1* 2/2020 Eom A01K 5/0142
 2020/0100459 A1* 4/2020 Chen A01K 5/0275
 2020/0100460 A1* 4/2020 Chen A01K 5/0225

* cited by examiner

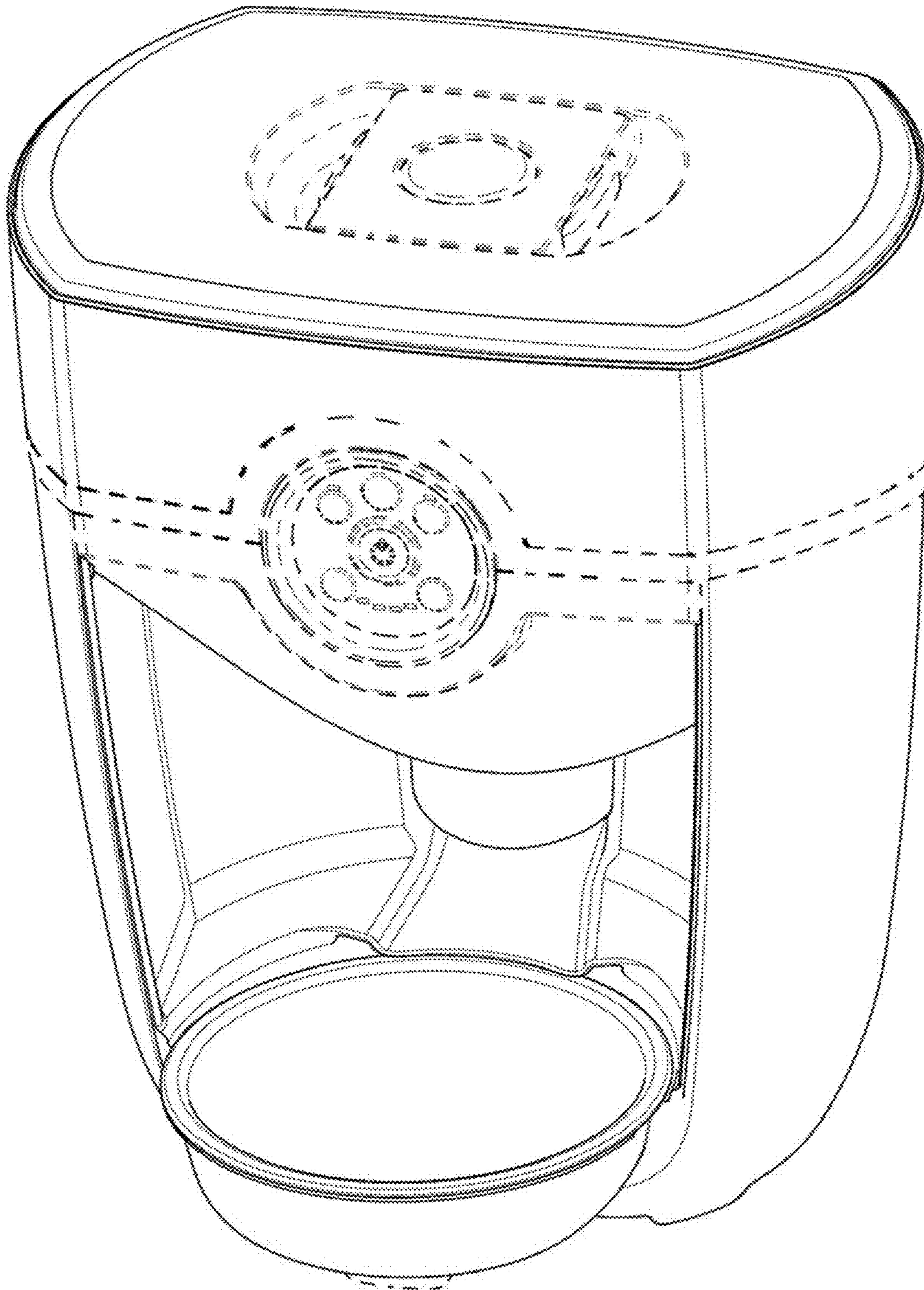


FIG.-1

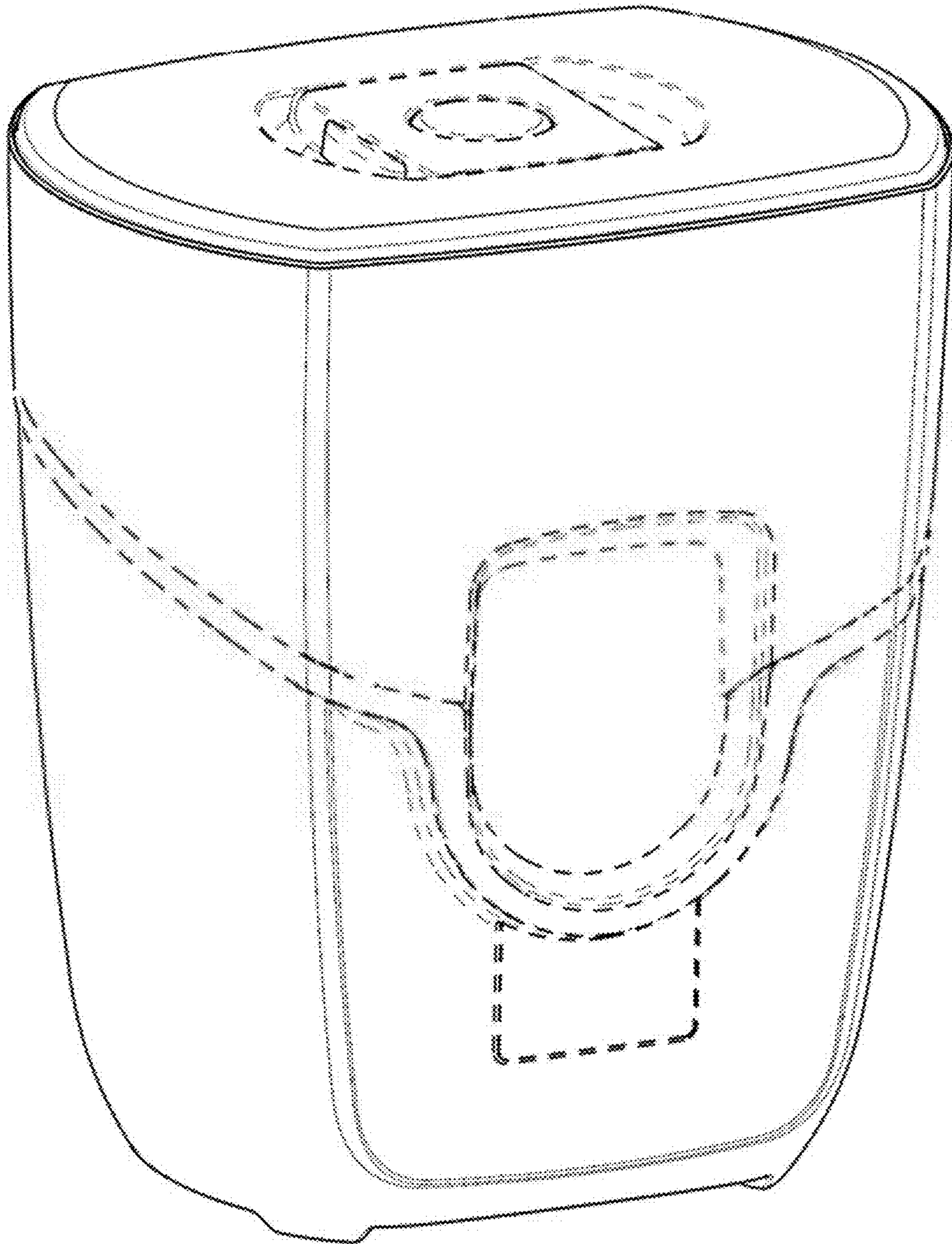


FIG.-2

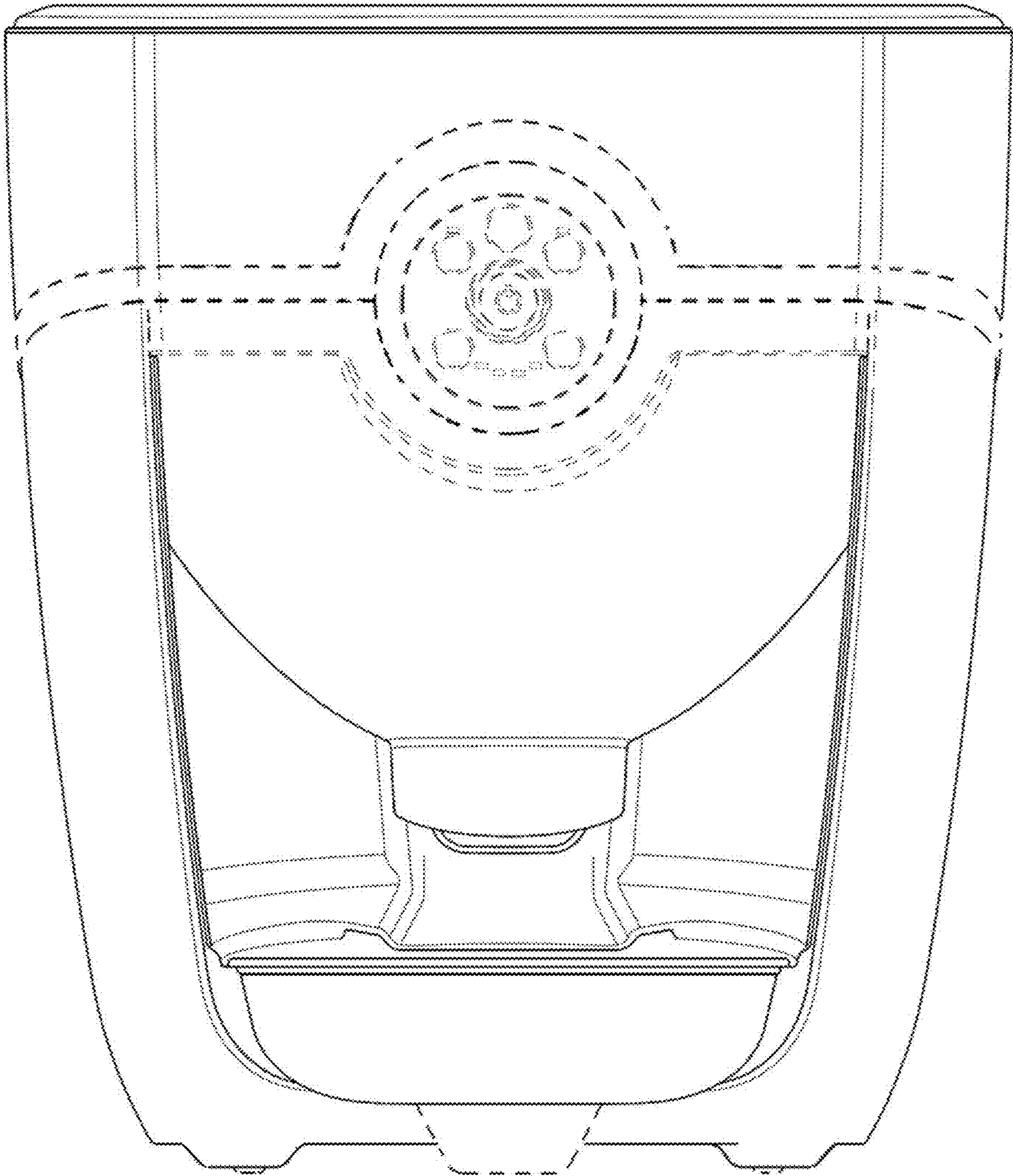


FIG.-3

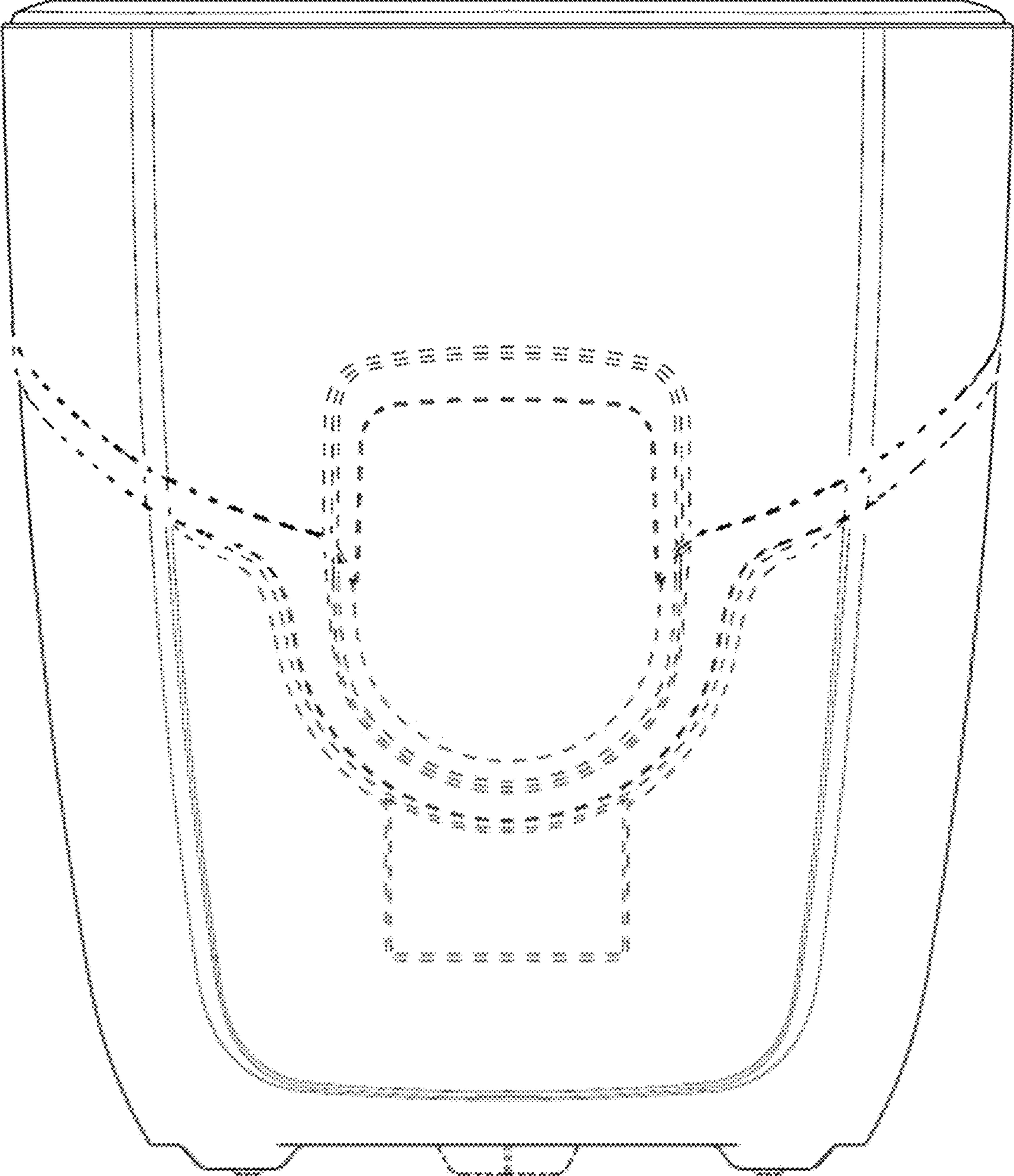


FIG.-4

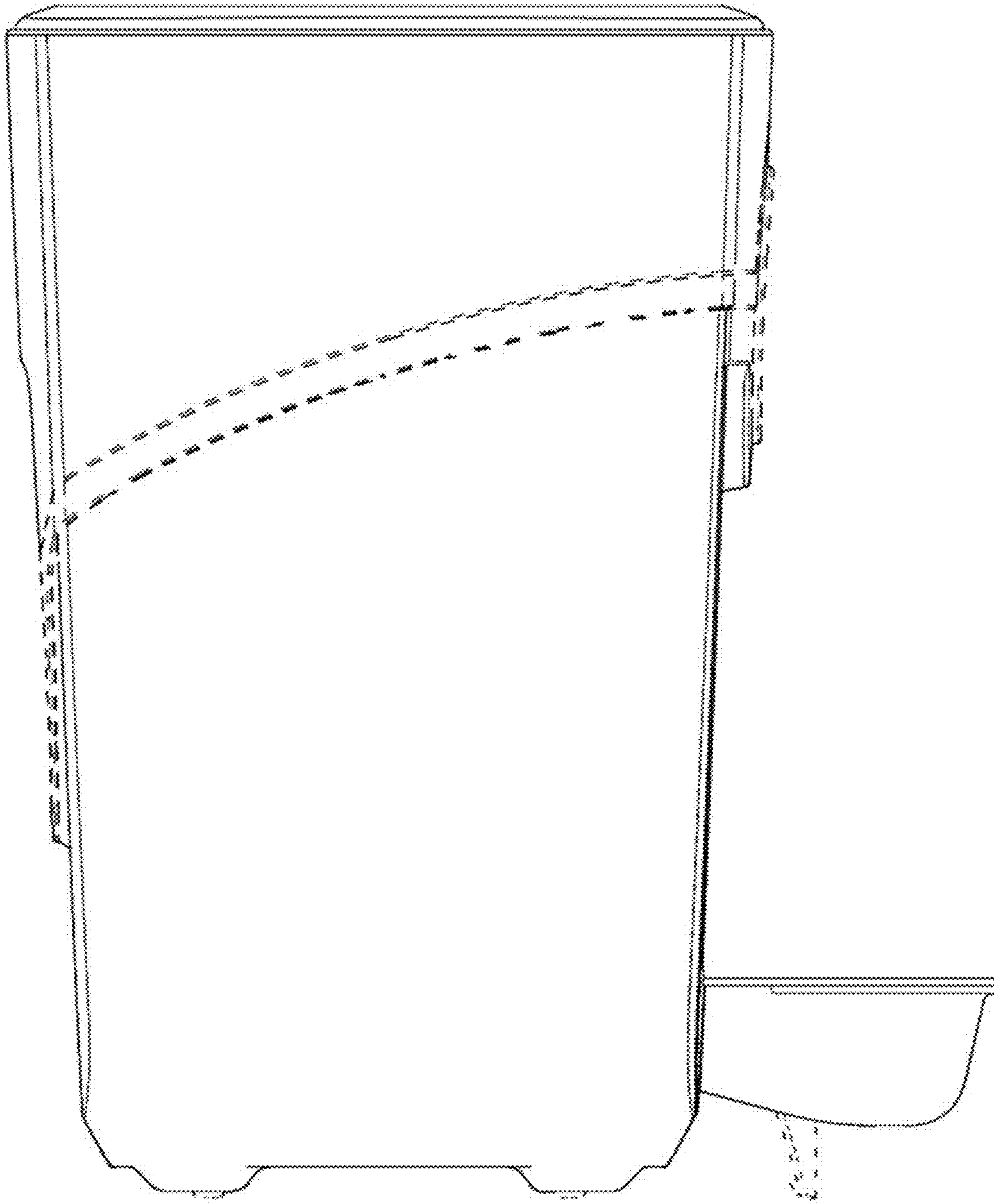


FIG.-5

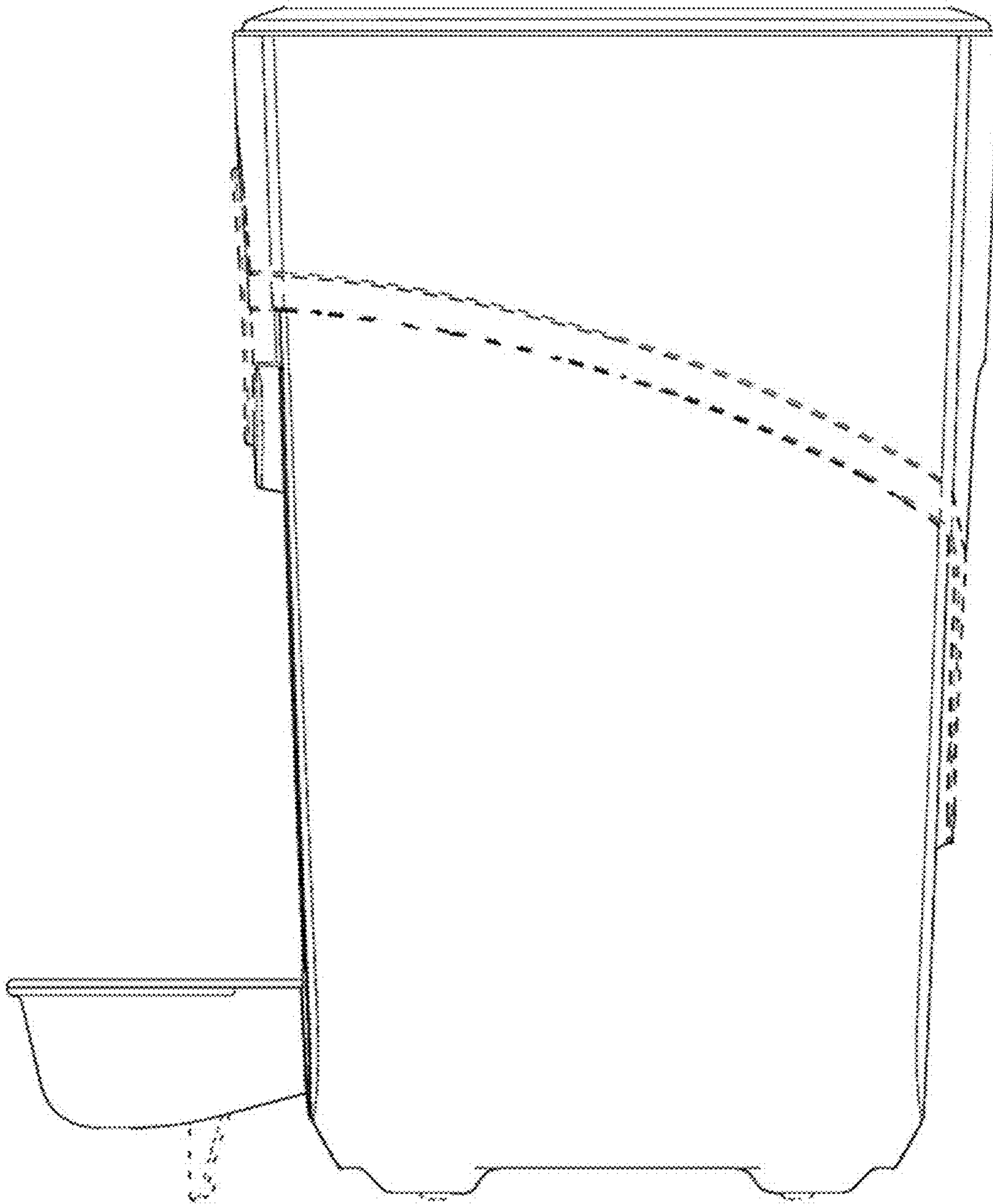


FIG.-6

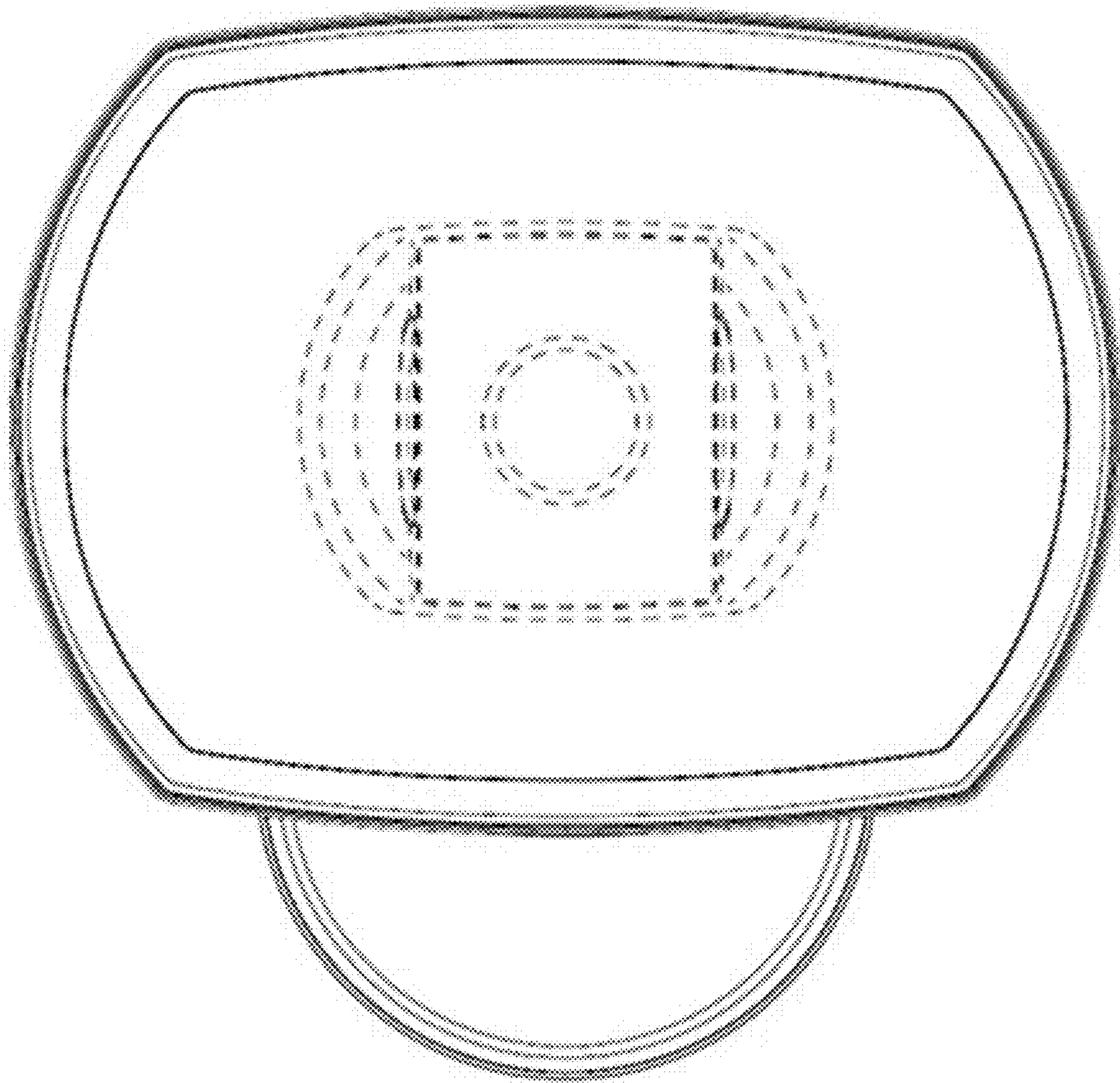


FIG.-7

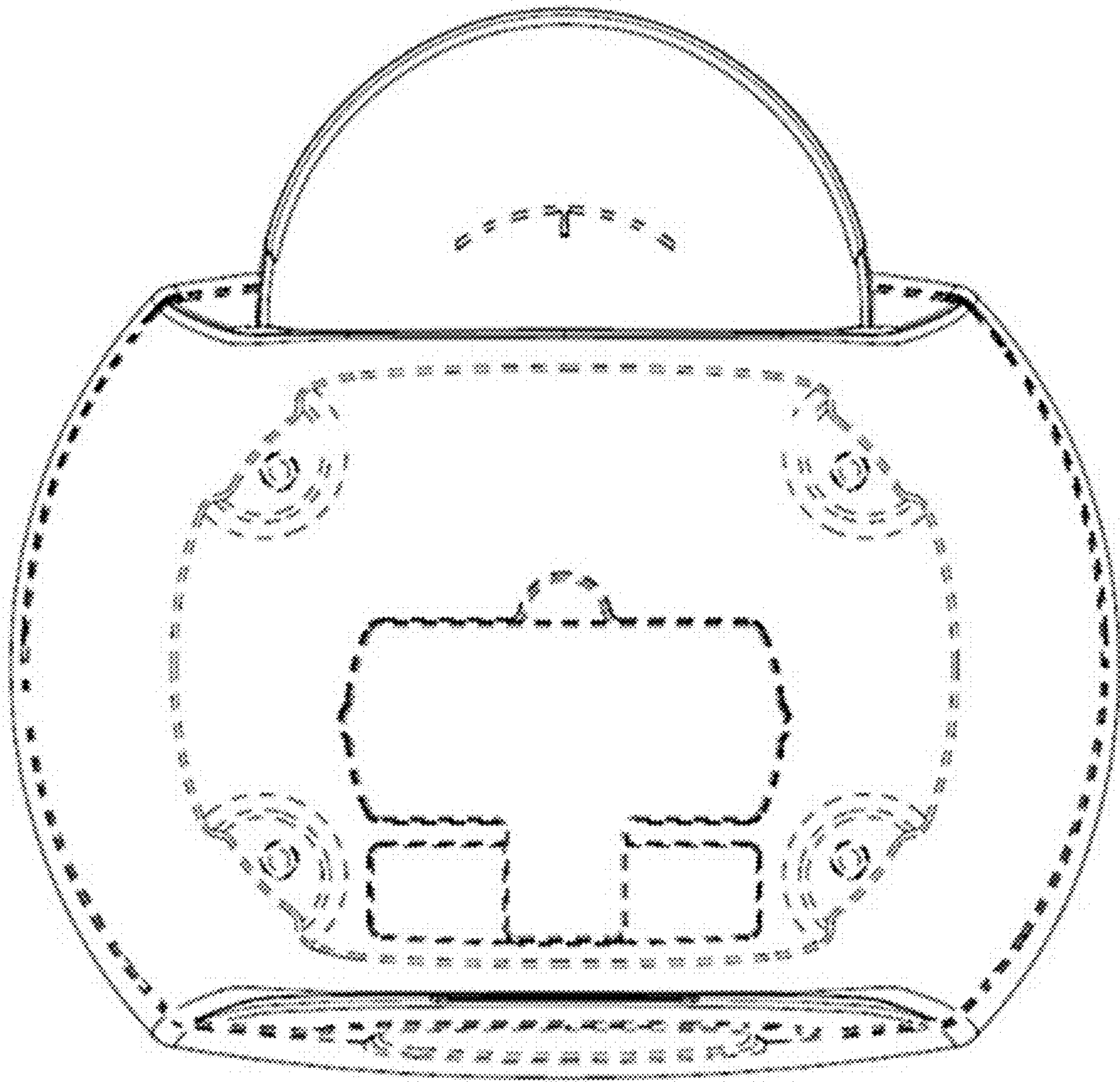


FIG.-8