



US00D897609S

(12) **United States Design Patent**
Loiseau

(10) **Patent No.:** **US D897,609 S**
(45) **Date of Patent:** **** Sep. 29, 2020**

(54) **PET FOOD DISPENSER**

(71) Applicant: **MARS, INCORPORATED**, McLean,
VA (US)

(72) Inventor: **Eric Loiseau**, Carnago (IT)

(73) Assignee: **MARS, INCORPORATED**, McLean,
VA (US)

(**) Term: **15 Years**

(21) Appl. No.: **29/637,897**

(22) Filed: **Feb. 22, 2018**

(30) **Foreign Application Priority Data**

Aug. 23, 2017 (EM) 004159861

(51) **LOC (12) Cl.** **30-07**

(52) **U.S. Cl.**
USPC **D30/122**

(58) **Field of Classification Search**

USPC D30/121, 122, 129-133, 120; 119/61.5,
119/51.01, 61.56, 51.03, 59, 62, 63, 51.5,
119/57.8, 74, 61.54, 61.55, 53, 53.5, 75,
119/56.2, 51.02, 51.11, 51.12, 57.1, 52.1,
119/515; 312/204; 248/151, 188;
108/156, 153.1-157; 220/23.87, 630,
220/737, 743, 9.4, 495.01, 574, 212, 255,
220/23.83; 206/515; D7/586, 543,
D7/550.1, 587, 505, 584, 545, 500,
D7/553.1-553.8, 546, 555, 556, 504, 565,
D7/562, 602, 605, 312, 313, 320, 307,
D7/306, 309, 354, 311, 399, 397, 323,
D7/332, 331, 347, 346, 322, 318, 317,
D7/316, 619.1; D9/429; 43/109;
D22/122; 99/430, DIG. 15, 280, 285,
99/312; 222/209, 131, 363, 349, 517,
222/153.13, 401, 1, 146.5, 23, 54, 64, 51,
222/56, 399, 400.8; 219/438, 439, 441,
219/385, 386, 402, 407; 210/94, 184,
210/474, 477

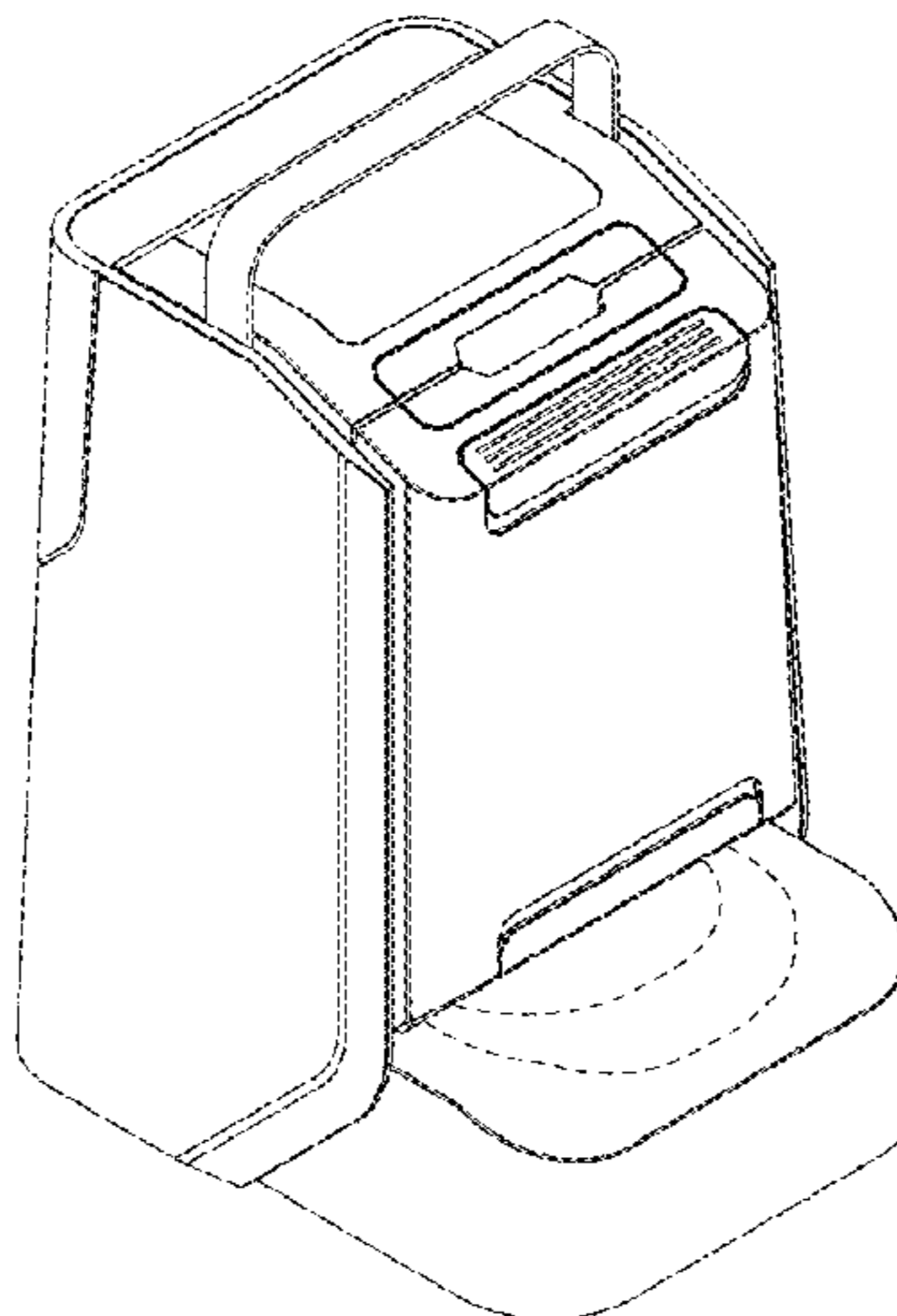
CPC A01K 5/02; A01K 5/0225; A01K 5/0114;
A01K 5/025; A01K 5/0266; A01K
5/0275; A01K 5/0283; A01K 5/0291;
A01K 5/0258; A01K 5/0142; A01K
5/0233; A01K 29/00; A01K 7/00; G01F
11/24; G01F 23/02; B67D 1/0425; B67D
1/04; B67D 1/00; B67D 1/02; B67D
1/0871; B67D 1/0802; A47J 41/0033;
A47J 41/005; A47J 41/0088; A47J
41/0094; A47J 31/04; A47J 31/053; B05B
11/00; B05B 11/0002; B05B 11/0005;
B05B 11/001; C02F 1/003; C02F 1/283;
C02F 2307/02

See application file for complete search history.

(56) **References Cited**

U.S. PATENT DOCUMENTS

867,621 A * 10/1907 Tannehill A01K 39/026
119/77
D207,166 S * 3/1967 Noble D30/132
3,340,851 A * 9/1967 Frank A01K 5/0291
119/51.13
3,720,184 A * 3/1973 Pearce A01K 5/0225
119/51.5
3,754,527 A * 8/1973 Jenkins A01K 5/0291
119/51.14
3,985,104 A * 10/1976 Klemer A01K 5/0291
119/51.12
4,034,715 A * 7/1977 Arner A01K 5/0114
119/51.5
4,079,699 A * 3/1978 Longmore A01K 5/0291
119/51.11
4,279,221 A * 7/1981 Arvizu A01K 5/0291
119/51.11
4,281,624 A * 8/1981 Raines A01K 5/0225
119/52.1
4,485,765 A * 12/1984 Schwartz A01K 5/0291
119/51.13
4,721,063 A * 1/1988 Atchley A01K 5/0114
119/52.1
4,735,171 A * 4/1988 Essex A01K 5/0291
119/51.12
4,841,913 A * 6/1989 Forrer A01K 5/0291
119/51.12
D330,098 S * 10/1992 VanSkiver D30/121
D351,689 S * 10/1994 VanSkiver D30/121



US D897,609 S

Page 2

5,351,649	A *	10/1994	Rovira Badia	A01K 5/0225	2011/0297090	A1 *	12/2011	Chamberlain	A01K 5/0291
				119/53.5					119/51.02
D364,942	S *	12/1995	VanSkiver	D30/121	2012/0145085	A1 *	6/2012	Massicotte	A01K 5/0275
5,809,934	A *	9/1998	Gavet	A01K 7/02					119/51.11
				119/52.1	2013/0092090	A1 *	4/2013	McCallum	A01K 1/0356
5,845,600	A *	12/1998	Mendes	A01K 7/02					119/74
				119/51.5	2013/0098298	A1 *	4/2013	Manickchan	A01K 5/0275
D405,560	S *	2/1999	Chrisco	D30/121					119/51.11
6,158,623	A *	12/2000	Benavides	A47G 19/24	2013/0213308	A1 *	8/2013	Koskey, Jr.	A01K 7/027
				222/129					119/74
6,651,592	B2 *	11/2003	Maddox	A01K 5/0114	2013/0298839	A1 *	11/2013	Richards	C02F 1/008
				119/712					119/75
6,681,718	B1 *	1/2004	McIlarky	A01K 5/0291	2013/0333622	A1 *	12/2013	Jin	A01K 5/0291
				119/51.11					119/51.01
6,863,025	B2 *	3/2005	Ness	A01K 7/02	2014/0277701	A1 *	9/2014	Martin	A01K 5/0114
				119/51.5					700/231
7,146,930	B1 *	12/2006	Ness	A01K 7/02	2015/0068463	A1 *	3/2015	Worry	A01K 5/0291
				119/77					119/57.1
7,228,816	B2 *	6/2007	Turner	A01K 5/0114	2015/0090186	A1 *	4/2015	Massicotte	A01K 5/0275
				119/51.02					119/51.11
7,426,901	B2 *	9/2008	Turner	A01K 5/0114	2015/0143750	A1 *	5/2015	Jalbert	A01K 5/0291
				119/51.02					49/25
7,895,973	B1 *	3/2011	Whelan	A01K 5/025	2015/0145644	A1 *	5/2015	Jalbert	A01K 5/0142
				119/51.02					340/5.61
7,913,647	B1 *	3/2011	Martin	A01K 7/04	2015/0164044	A1 *	6/2015	Powers	A01K 5/0114
				119/52.1					119/61.5
D637,769	S *	5/2011	Weber	D30/121	2016/0286755	A1 *	10/2016	Feng	A01K 5/0291
8,161,911	B2 *	4/2012	Jalbert	A01K 1/0107	2017/0099804	A1 *	4/2017	Chang	H04Q 9/00
				119/501	2017/0238503	A1 *	8/2017	Deritis	A01K 5/0275
8,166,922	B2 *	5/2012	Jalbert	A01K 1/0107	2019/0029221	A1 *	1/2019	Anderton	A01K 5/0233
				119/501	2019/0029222	A1 *	1/2019	Anderton	A01K 5/0275
D666,864	S *	9/2012	Dahlstrom	D7/309	2019/0053463	A1 *	2/2019	Hill	A01K 1/035
D677,509	S *	3/2013	Wang	D7/306	2019/0059322	A1 *	2/2019	Xu	A01K 7/02
D681,386	S *	5/2013	Pininfarina	D7/306	2020/0037577	A1 *	2/2020	Dzamba	A01K 5/0291
D681,387	S *	5/2013	Pininfarina	D7/306	2020/0037579	A1 *	2/2020	Eom	A01K 5/0142
8,578,882	B2 *	11/2013	Araujo	A01K 5/02	2020/0100459	A1 *	4/2020	Chen	A01K 5/0275
				119/51.01	2020/0100460	A1 *	4/2020	Chen	A01K 5/0225
8,701,595	B2 *	4/2014	Jin	A01K 5/0291					
				119/51.01					
D723,315	S *	3/2015	Wilder	D23/209					
D723,318	S *	3/2015	Andreesen	D7/306					
D731,124	S *	6/2015	Shin	D30/122					
9,137,967	B2 *	9/2015	Lathim	A01K 5/0225					
9,198,398	B2 *	12/2015	Rogers	A01K 7/06					
D751,774	S *	3/2016	Allen	D30/122					
9,345,231	B2 *	5/2016	Jalbert	A01K 5/0114					
D759,905	S *	6/2016	Stewart	D30/122					
9,374,981	B2 *	6/2016	Powers	A01K 5/0225					
9,414,568	B2 *	8/2016	Veness	A01K 5/0114					
9,750,229	B2 *	9/2017	Stewart	A01K 5/0275					
D806,958	S *	1/2018	Maloney	D30/122					
10,098,321	B2 *	10/2018	McKay	A01K 7/00					
D835,356	S *	12/2018	Xie	D30/122					
D836,850	S *	12/2018	Li	D30/122					
D843,665	S *	3/2019	Zeng	D30/122					
D844,258	S *	3/2019	Xu	D30/122					
D846,815	S *	4/2019	Darkwah	D30/132					
D856,603	S *	8/2019	Hong	D30/122					
D876,022	S *	2/2020	Hua	D30/122					
D876,023	S *	2/2020	Eom	D30/122					
D877,424	S *	3/2020	Xu	D30/122					
D878,844	S *	3/2020	Zisman	D7/306					
D884,985	S *	5/2020	Chen	D30/122					
D884,986	S *	5/2020	Chen	D30/122					
D885,685	S *	5/2020	Chen	D30/122					
D885,686	S *	5/2020	Chen	D30/122					
2006/0196433	A1 *	9/2006	Ness	A01K 5/0114					
				119/52.1					
2007/0193524	A1 *	8/2007	Turner	A01K 5/02					
				119/51.02					
2009/0064938	A1 *	3/2009	Or	A01K 5/0291					
				119/51.5					
2010/0132629	A1 *	6/2010	Jalbert	A01K 5/0121					
				119/720					
2011/0146580	A1 *	6/2011	Jalbert	A01K 5/0142					
				119/51.02					

FOREIGN PATENT DOCUMENTS

KR	300777982	1/2014
KR	300804363	7/2015
KR	3008949630000	2/2017

OTHER PUBLICATIONS

Pen, No. 16, vol. 18, pp. 56, JPO's Prior Design Ref. No. HA26004997, Jan. 9, 2014, 56.

Global Sources Home Products, No. 12, vol. 10, pp. 37, JPO's Prior Design Ref. No. HB29003272, Feb. 2017, 37.

Design (Taiwan), No. 182, pp. 65, (Apr./May 2015) JPO's Prior Design Ref. No. HB27002059, May 2015, 65.

* cited by examiner

Primary Examiner — Susan Moon Lee
(74) *Attorney, Agent, or Firm* — Baker Botts L.L.P.

(57) CLAIM

The ornamental design for a pet food dispenser, as shown and described.

DESCRIPTION

FIG. 1 is a front perspective view of our design for a pet food dispenser.

FIG. 2 is a front view of the pet food dispenser in FIG. 1.

FIG. 3 is a rear view of the pet food dispenser in FIG. 1.

FIG. 4 is a left side view of the pet food dispenser in FIG. 1.

FIG. 5 is a top view of the pet food dispenser in FIG. 1.

FIG. 6 is a bottom view of the pet food dispenser in FIG. 1.

FIG. 7 is a rear perspective view of the pet food dispenser in FIG. 1.

FIG. 8 is a front perspective view of the pet food dispenser according to a second embodiment.

FIG. 9 is a front view of the pet food dispenser in FIG. 8.

FIG. 10 is a rear view of the pet food dispenser in FIG. 8.

FIG. 11 is a left side view of the pet food dispenser in FIG. 8.

FIG. 12 is a top view of the pet food dispenser in FIG. 8.

FIG. 13 is a bottom view of the pet food dispenser in FIG. 8.

FIG. 14 is a rear perspective view of the pet food dispenser in FIG. 8.

FIG. 15 is a front perspective view of the pet food dispenser according to a third embodiment.

FIG. 16 is a front view of the pet food dispenser in FIG. 15.

FIG. 17 is a rear view of the pet food dispenser in FIG. 15.

FIG. 18 is a left side view of the pet food dispenser in FIG. 15.

FIG. 19 is a top view of the pet food dispenser in FIG. 15.

FIG. 20 is a bottom view of the pet food dispenser in FIG. 15; and,

FIG. 21 is a rear perspective view of the pet food dispenser in FIG. 15.

The portions of the pet food dispenser shown in broken lines form no part of the claimed design and are shown for purpose of illustration.

1 Claim, 12 Drawing Sheets

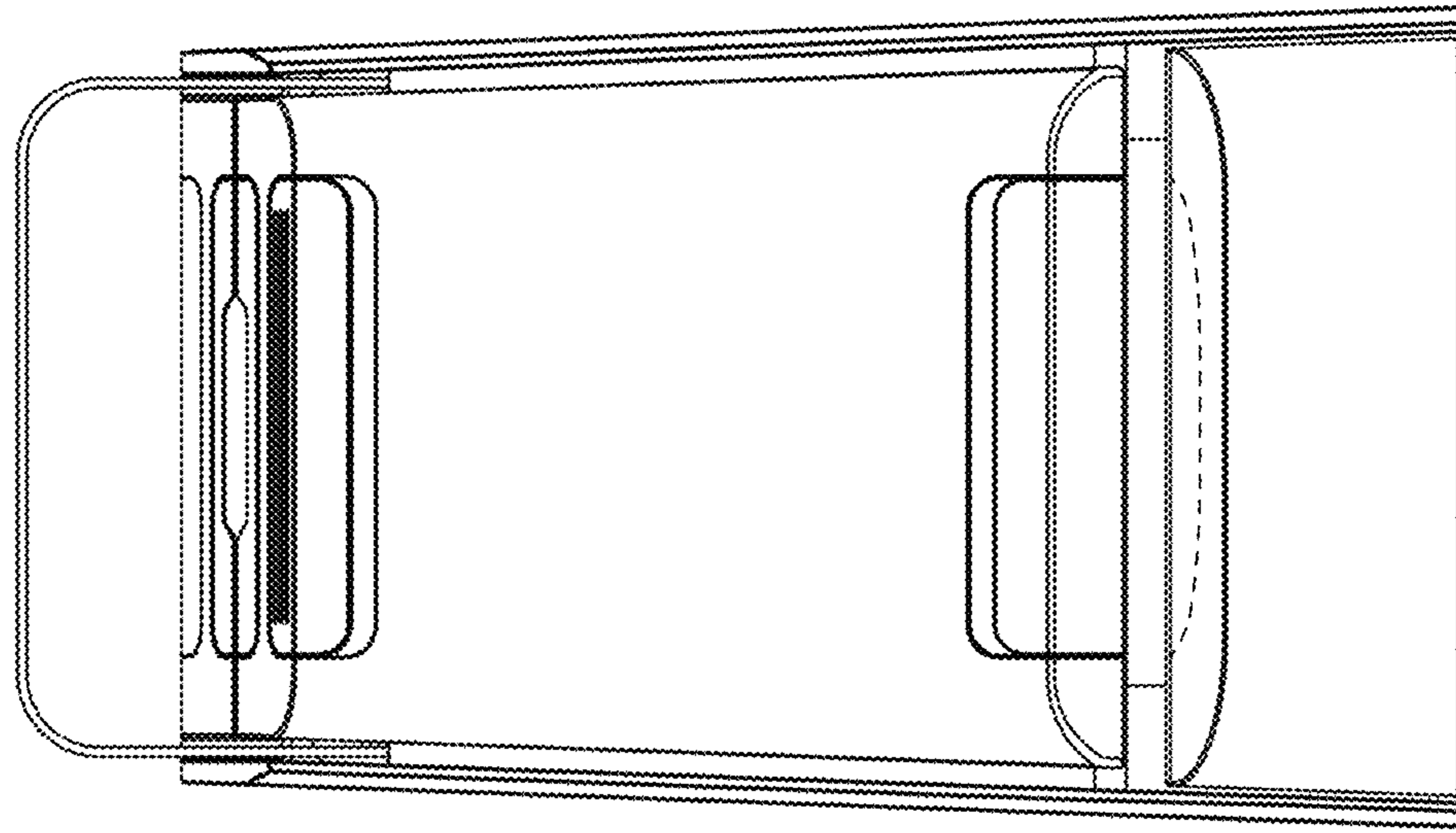


FIG. 2

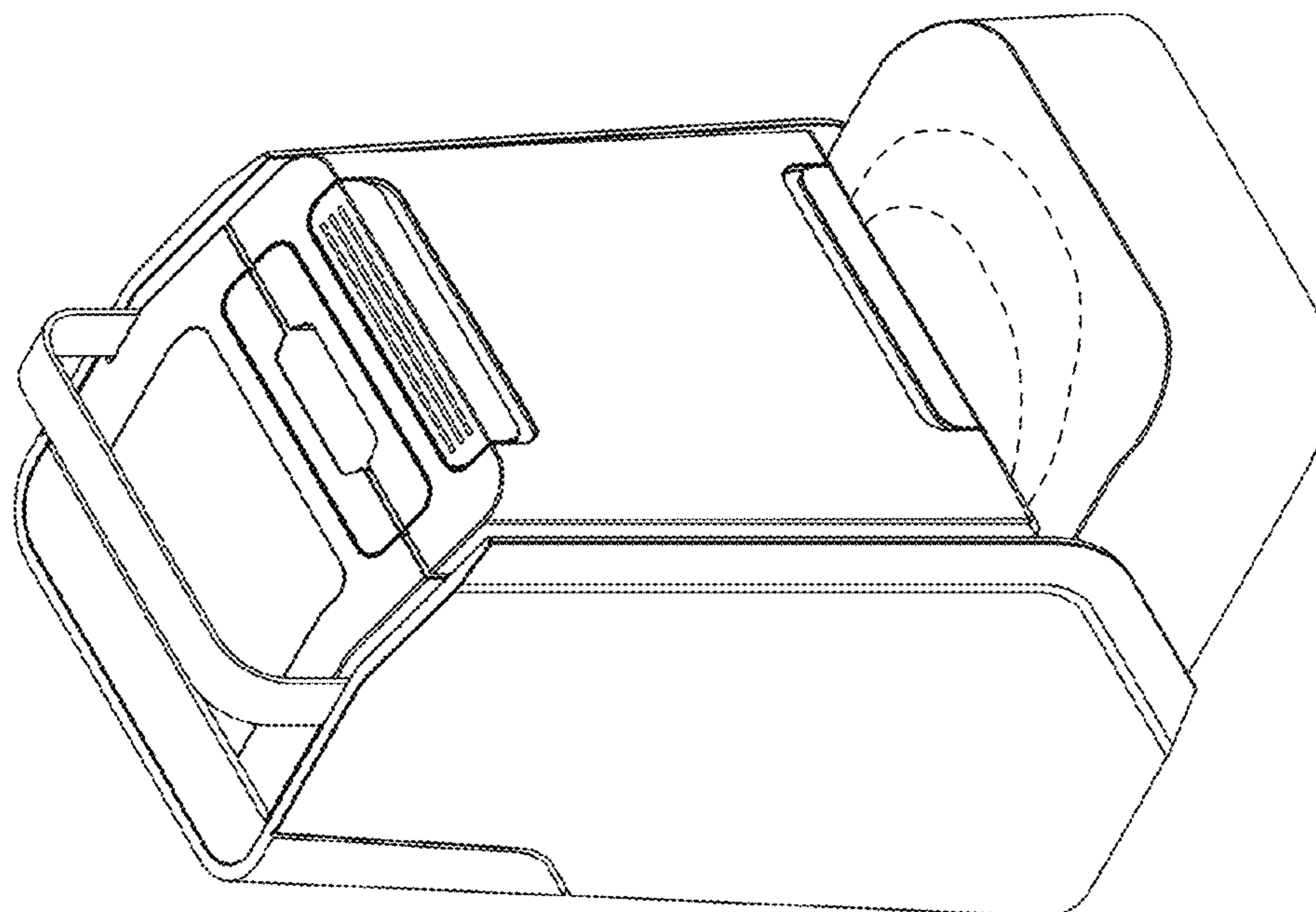


FIG. 1

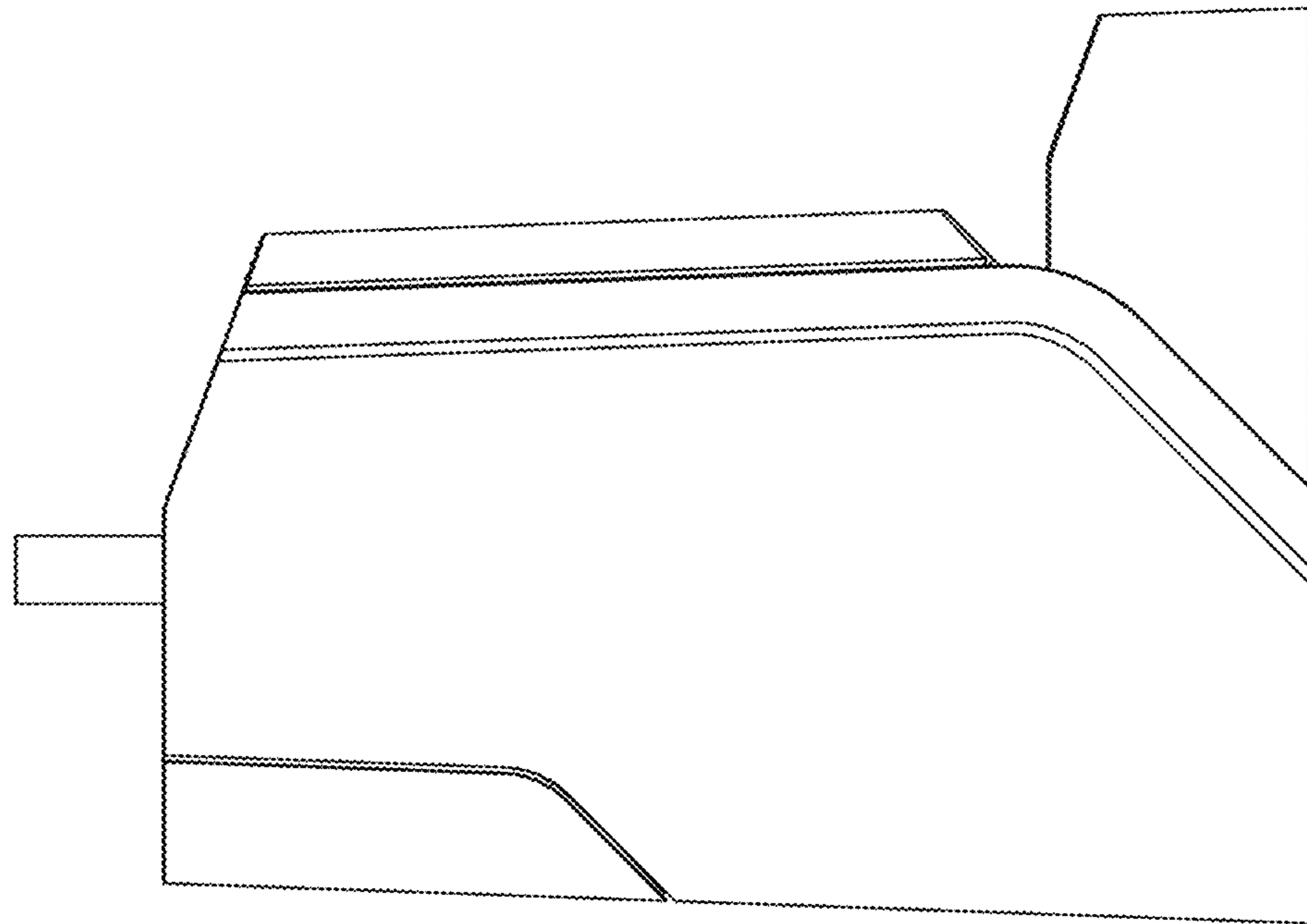


FIG. 4

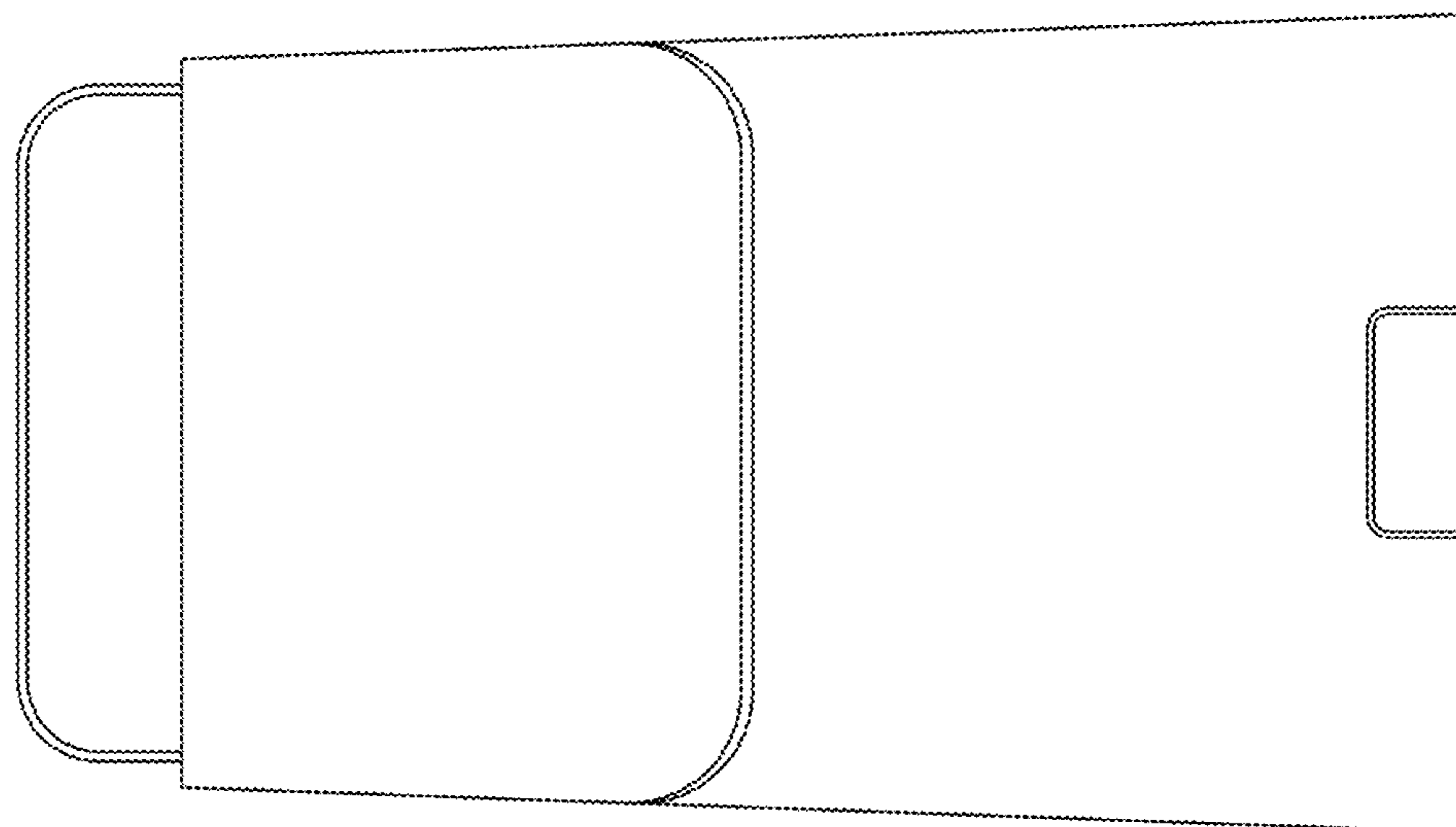


FIG. 3

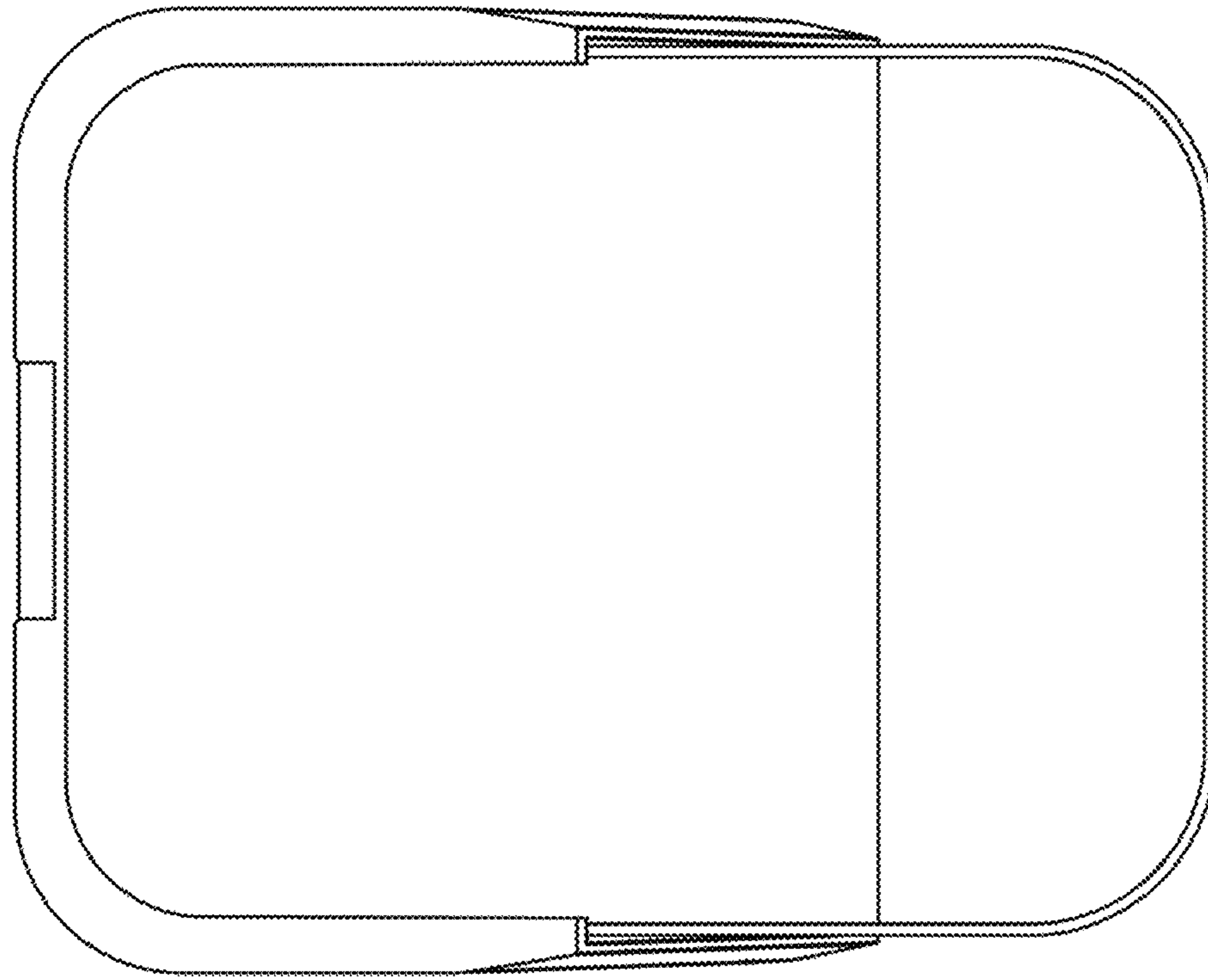


FIG. 6

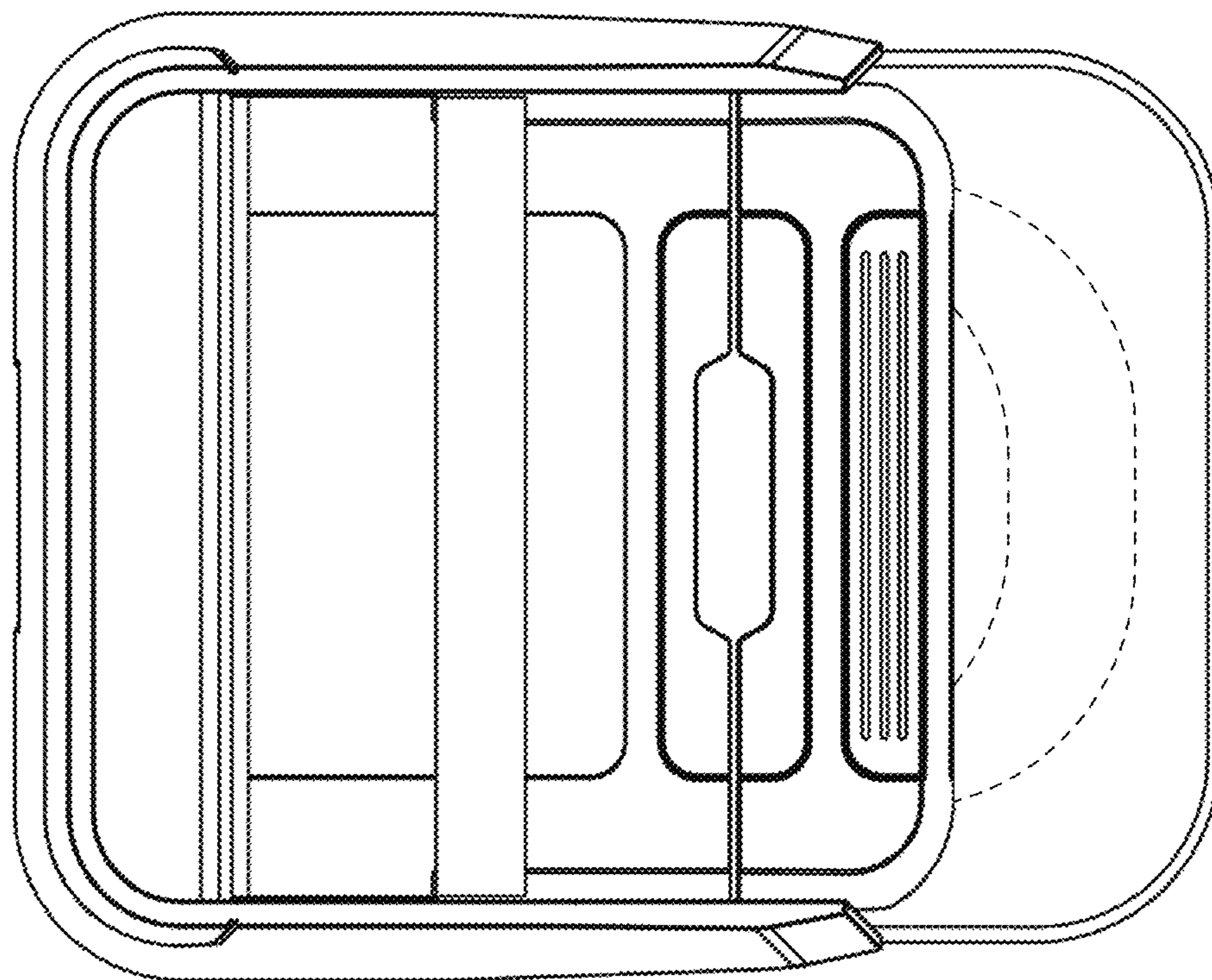


FIG. 5

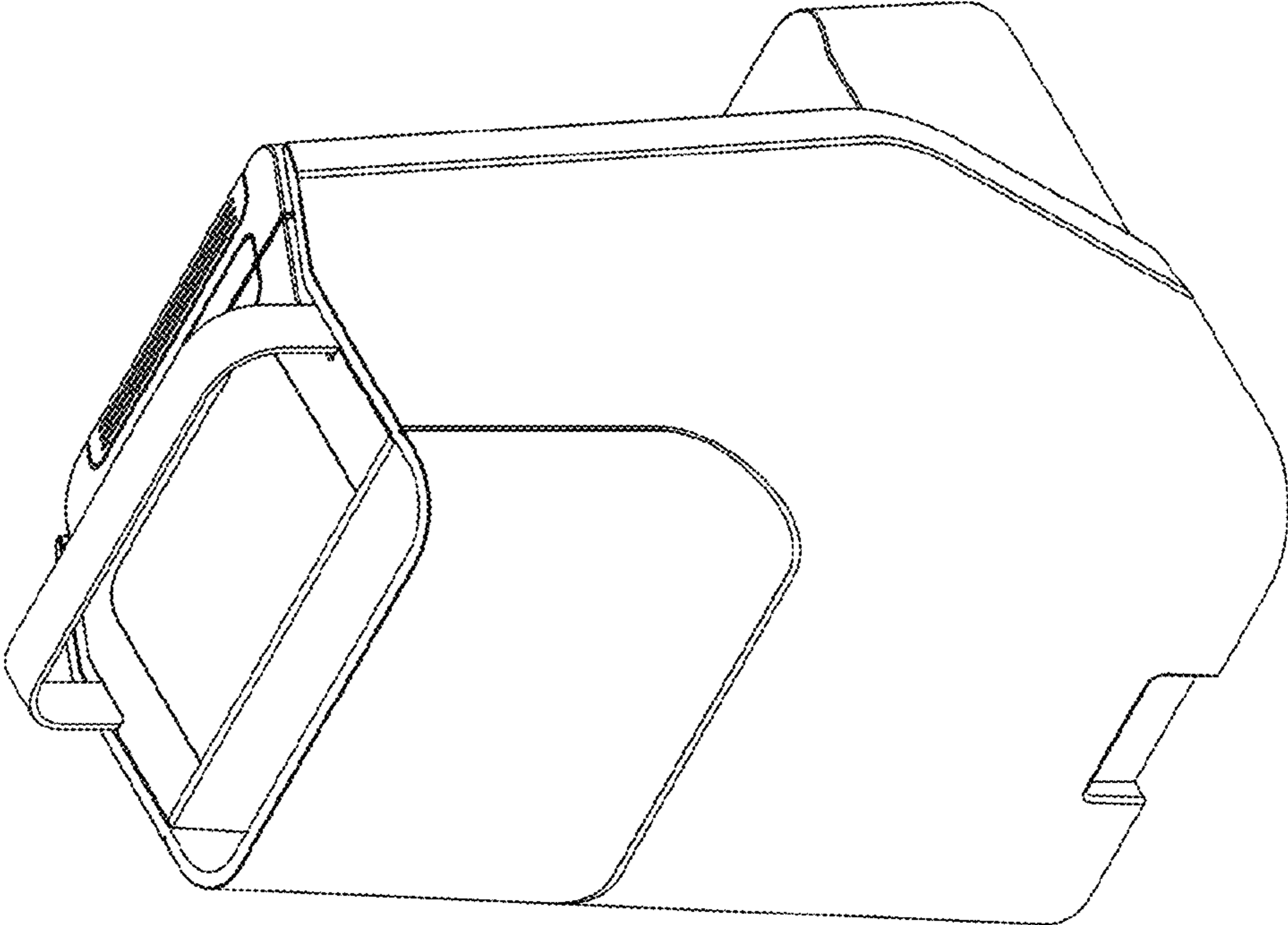


FIG. 7

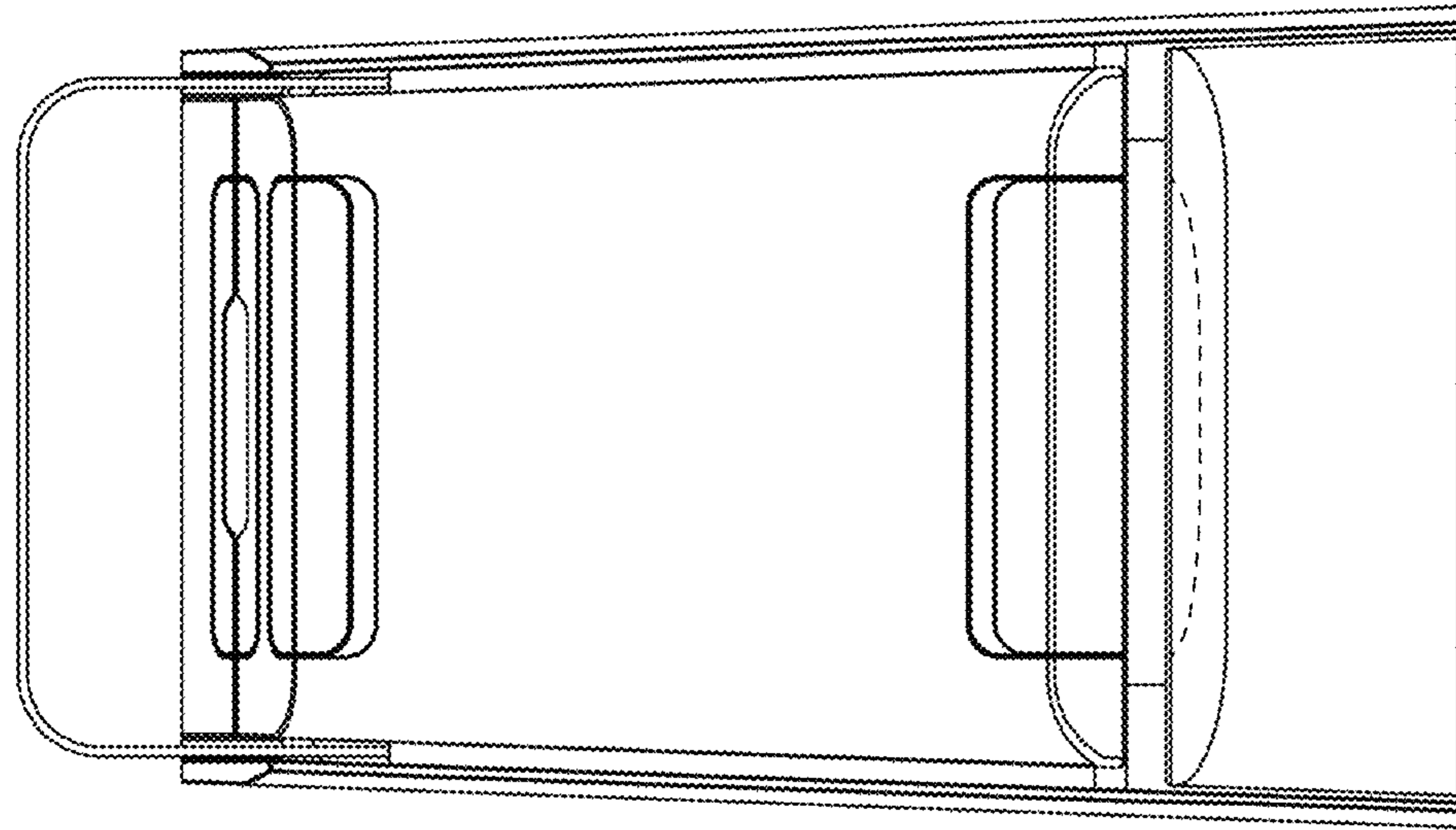


FIG. 9

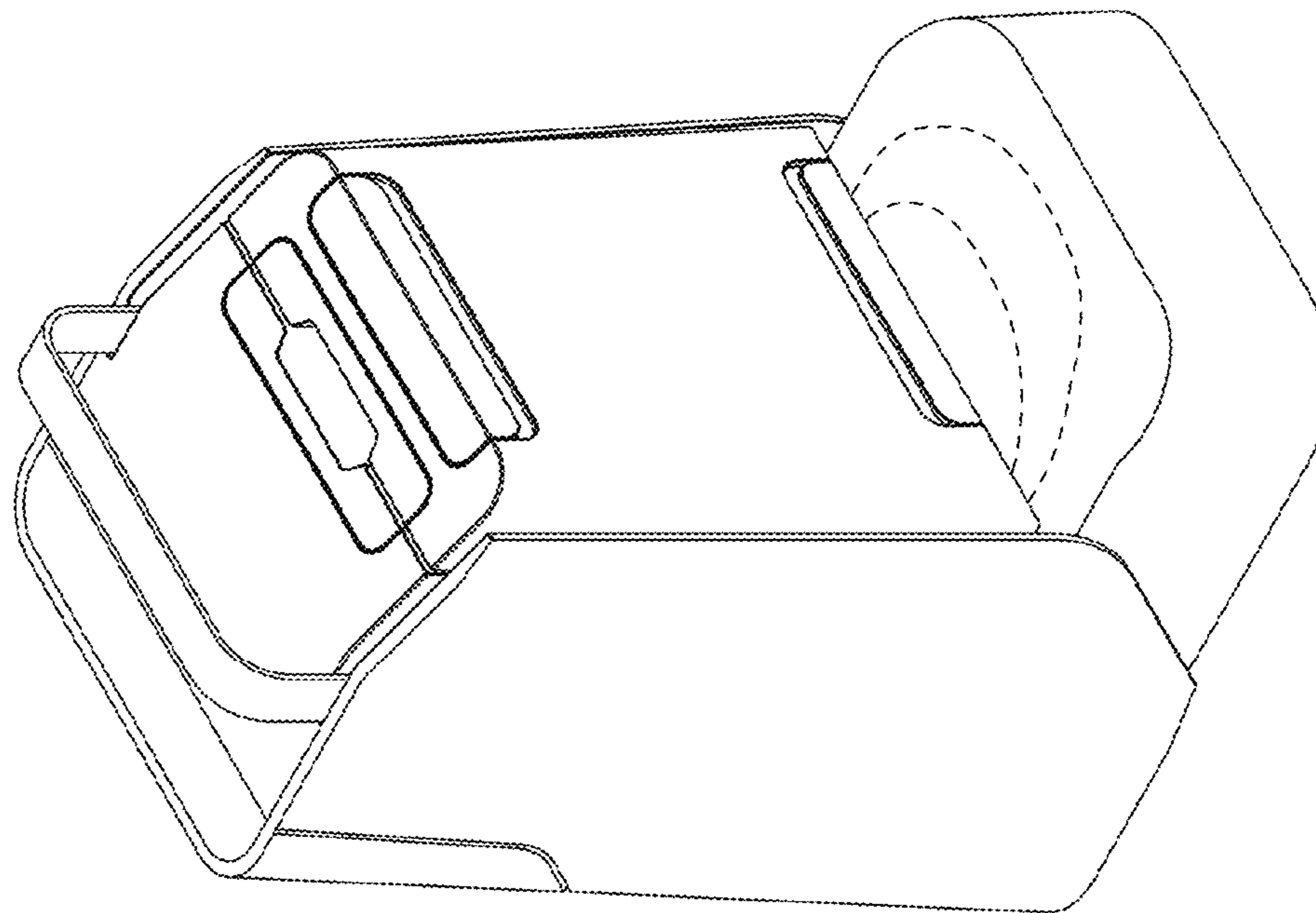


FIG. 8

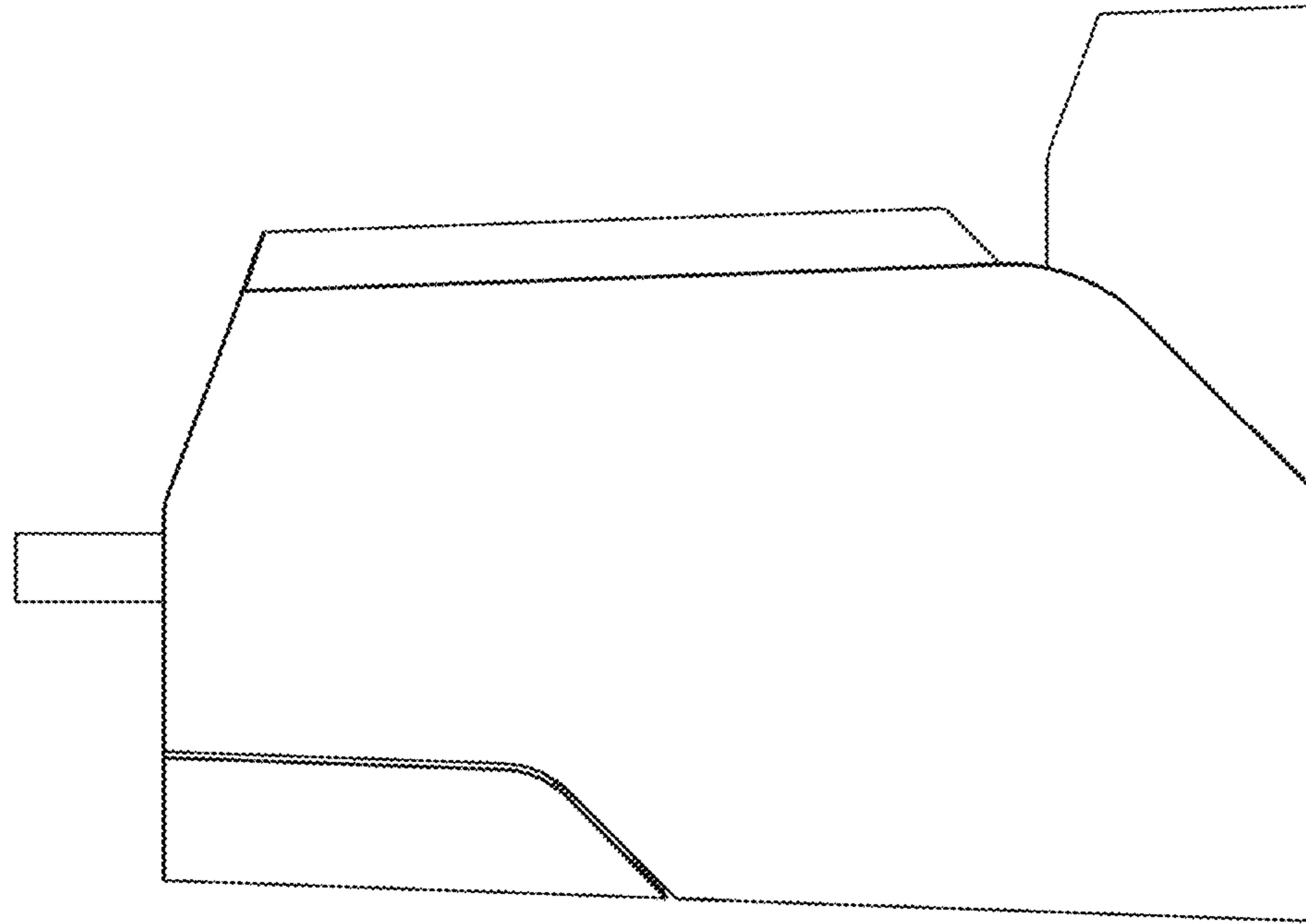


FIG. 11

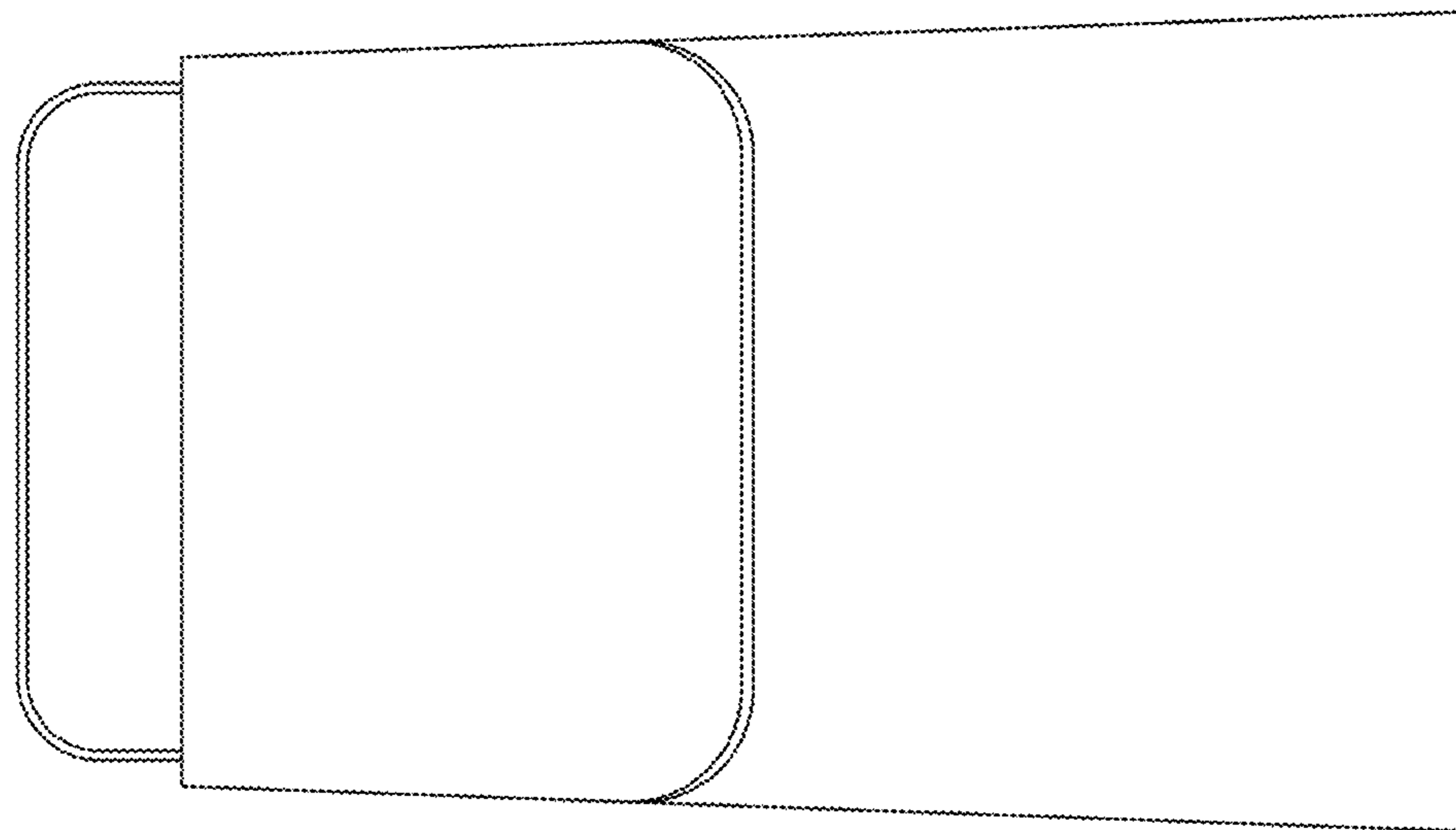


FIG. 10

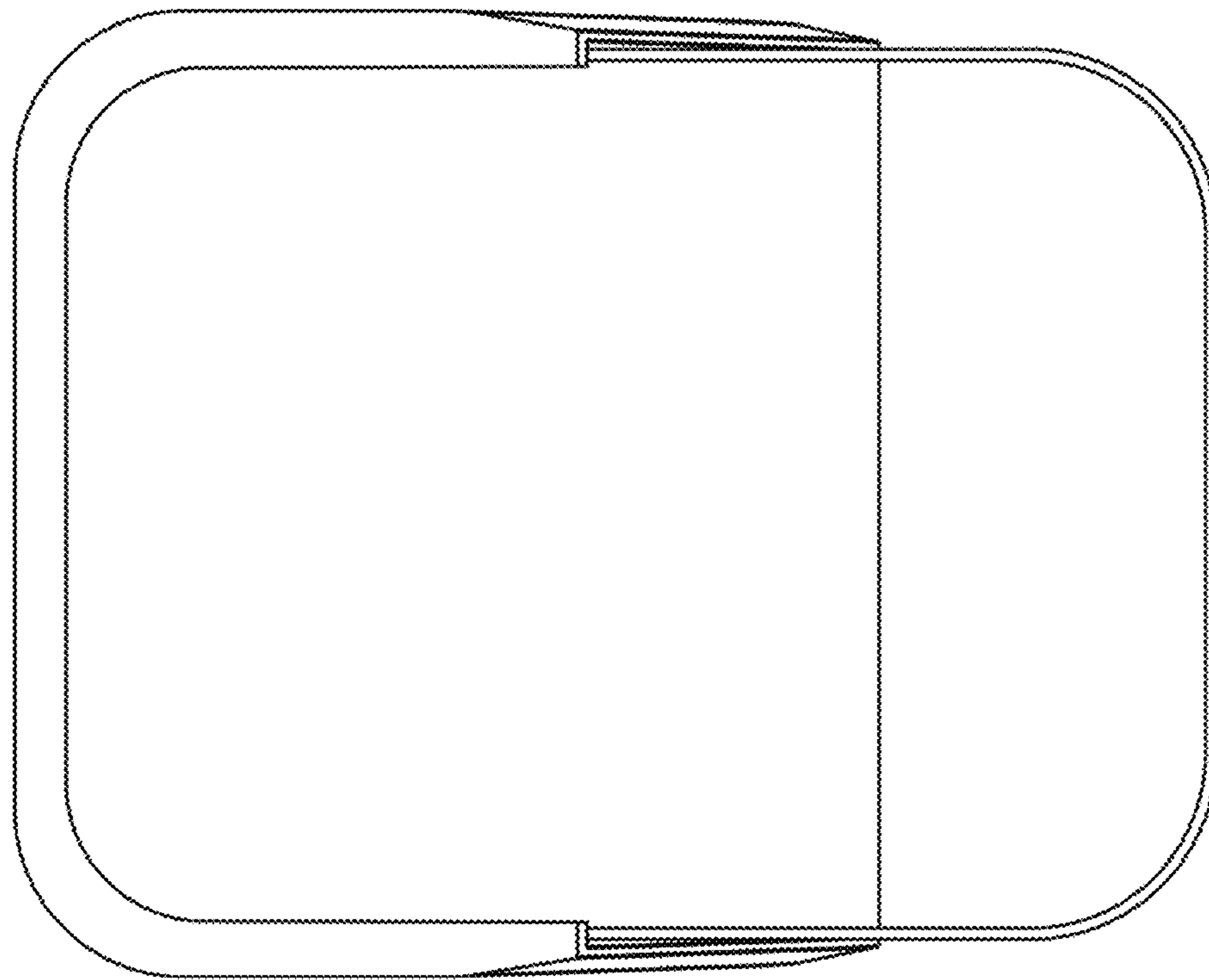


FIG. 12

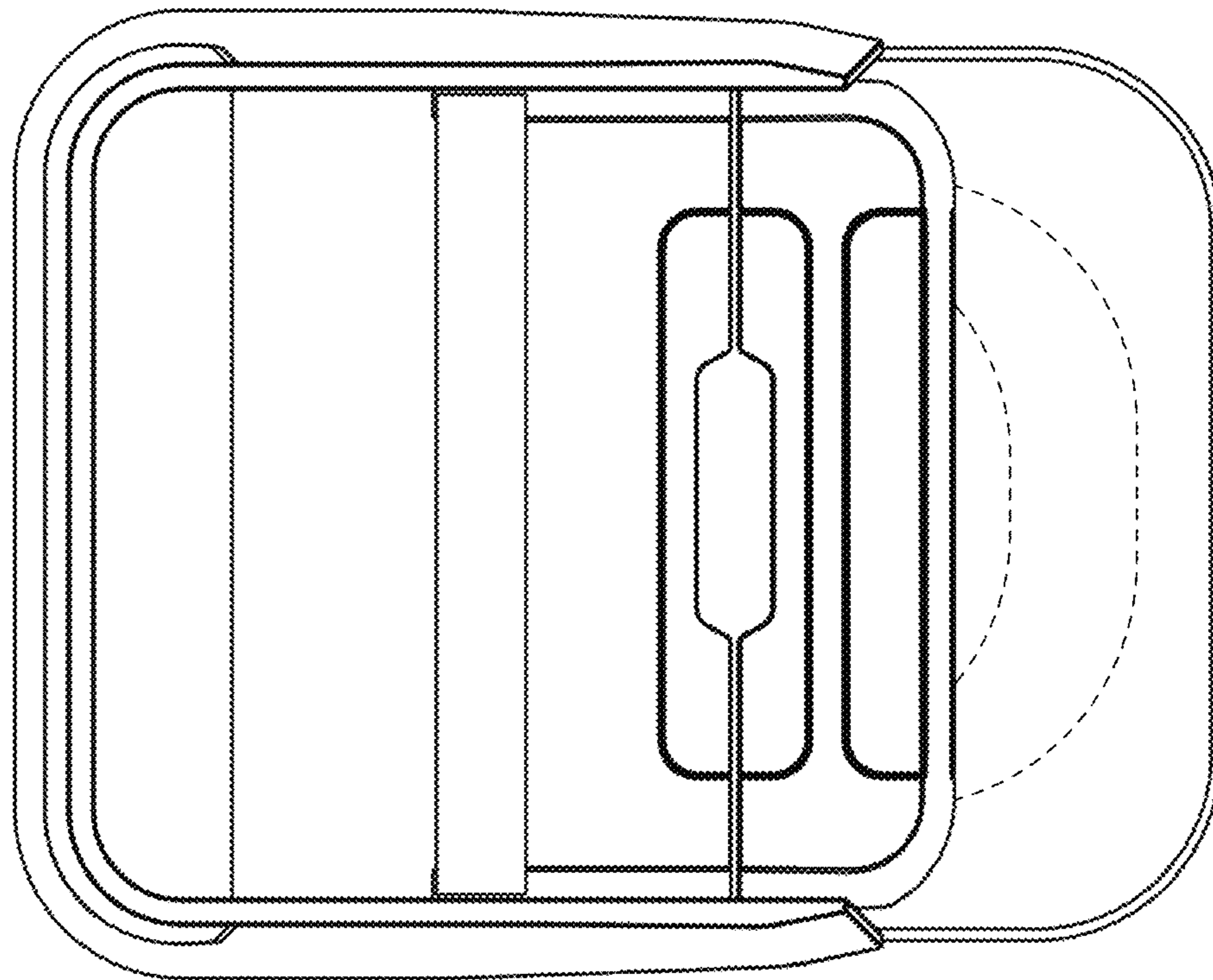


FIG. 13

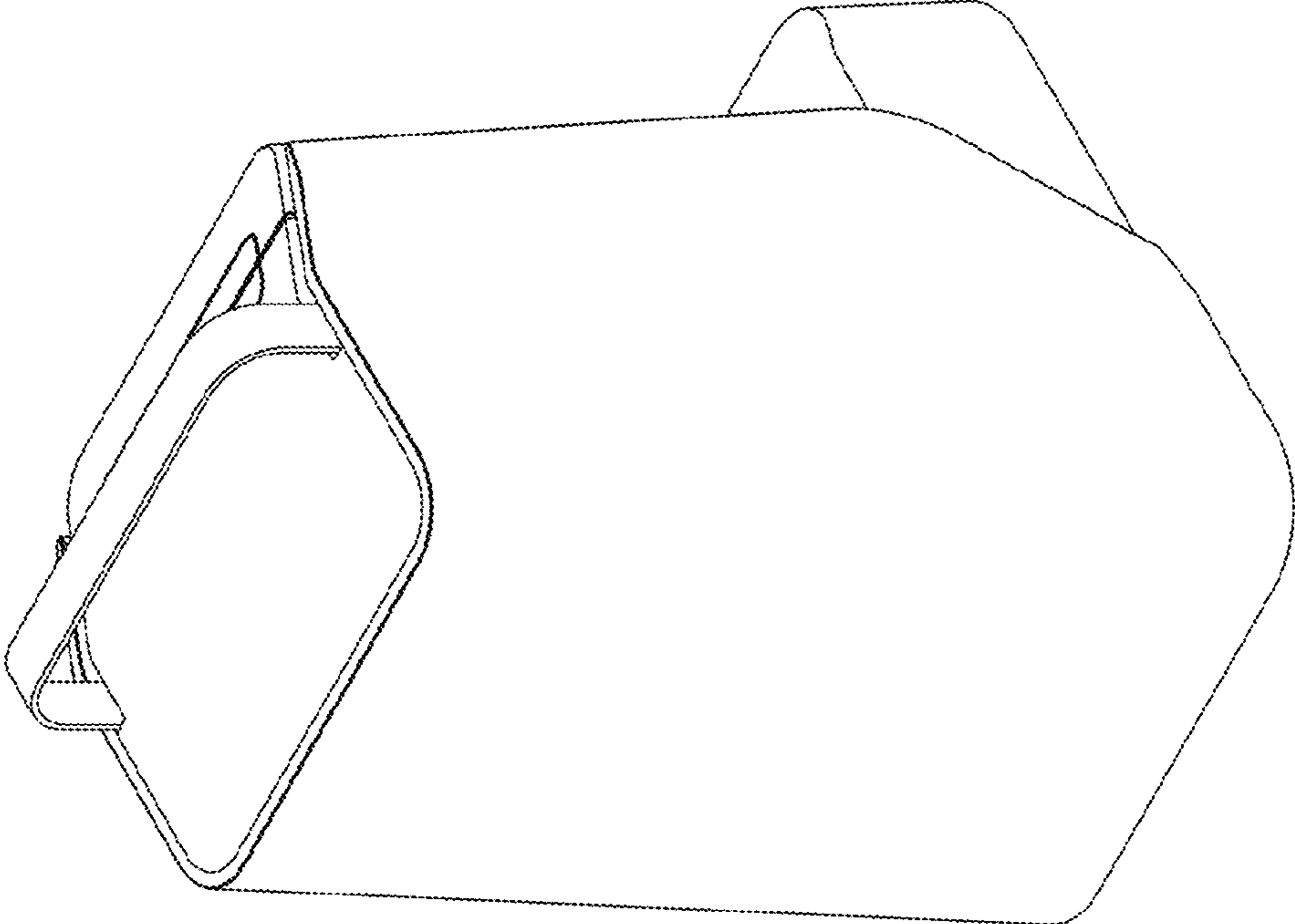


FIG. 14

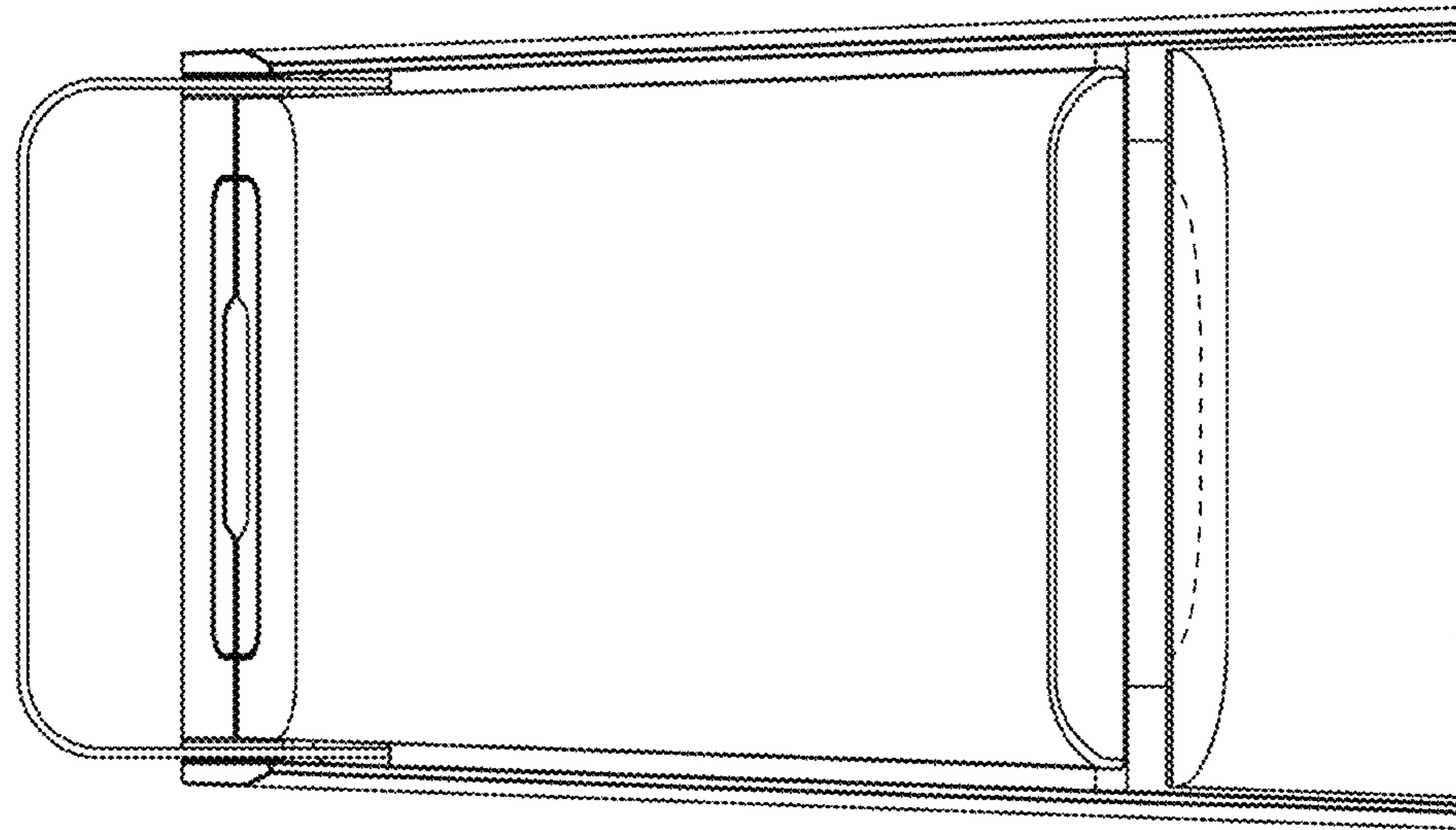


FIG. 16

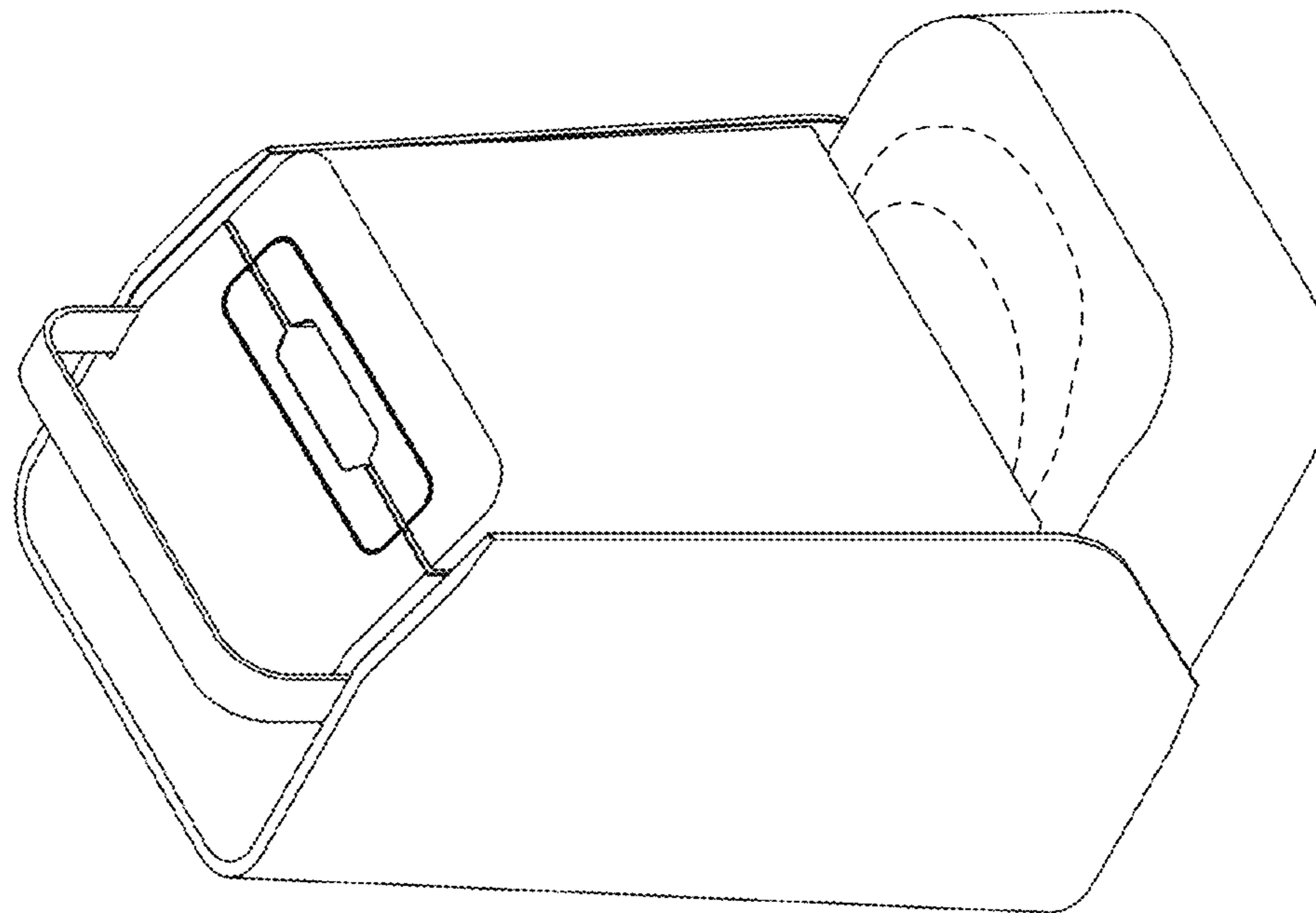


FIG. 15

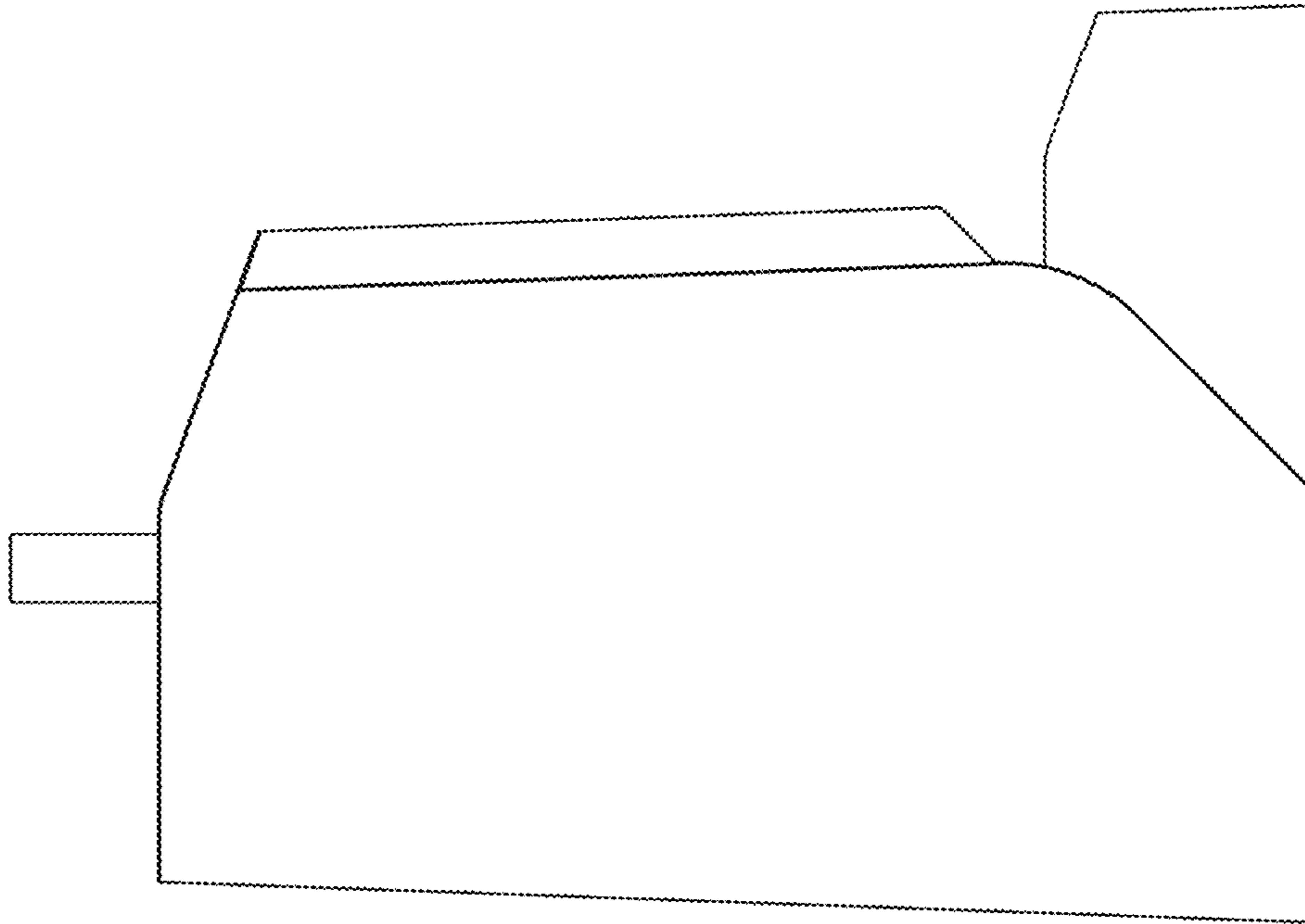


FIG. 18

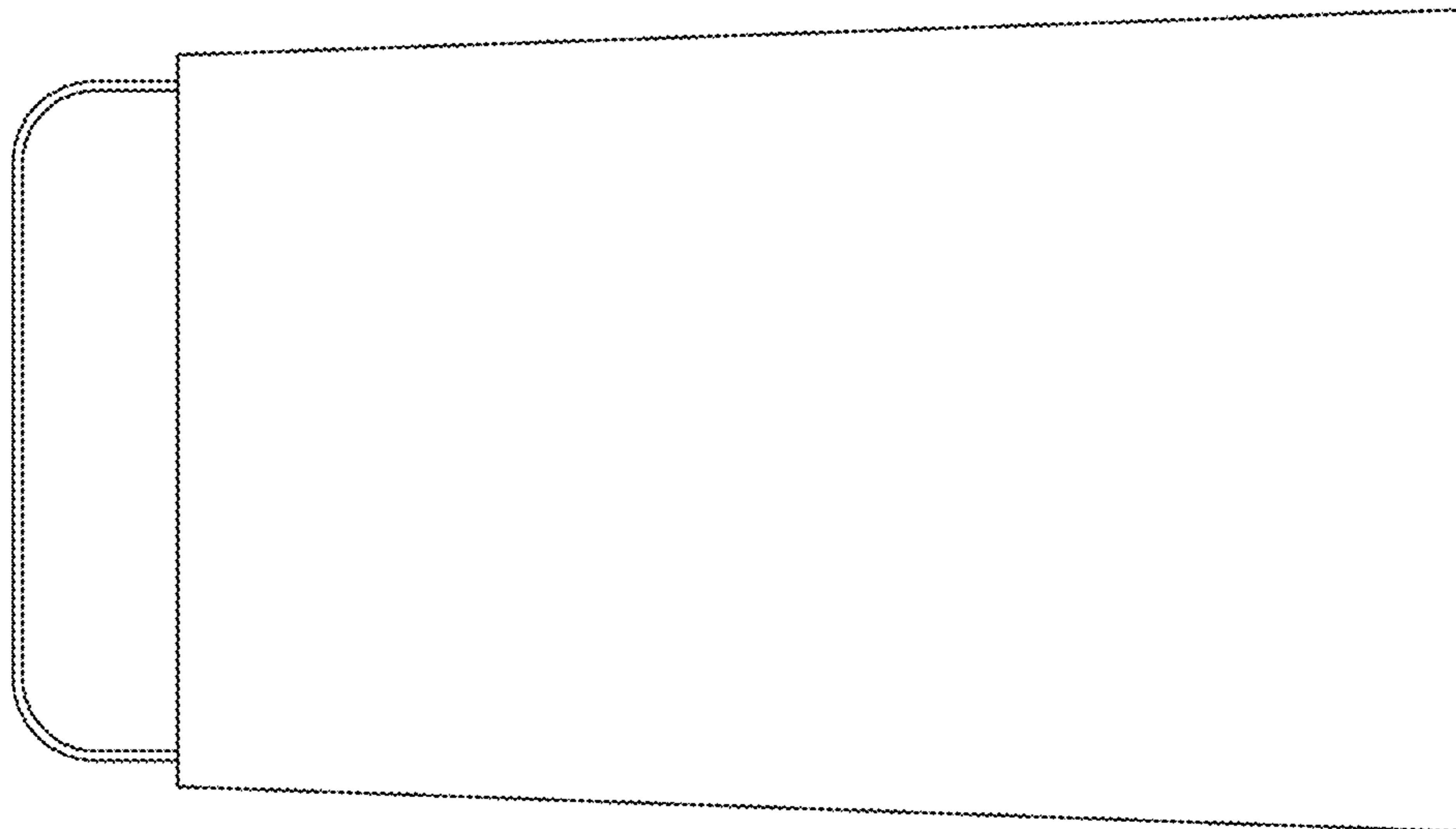


FIG. 17

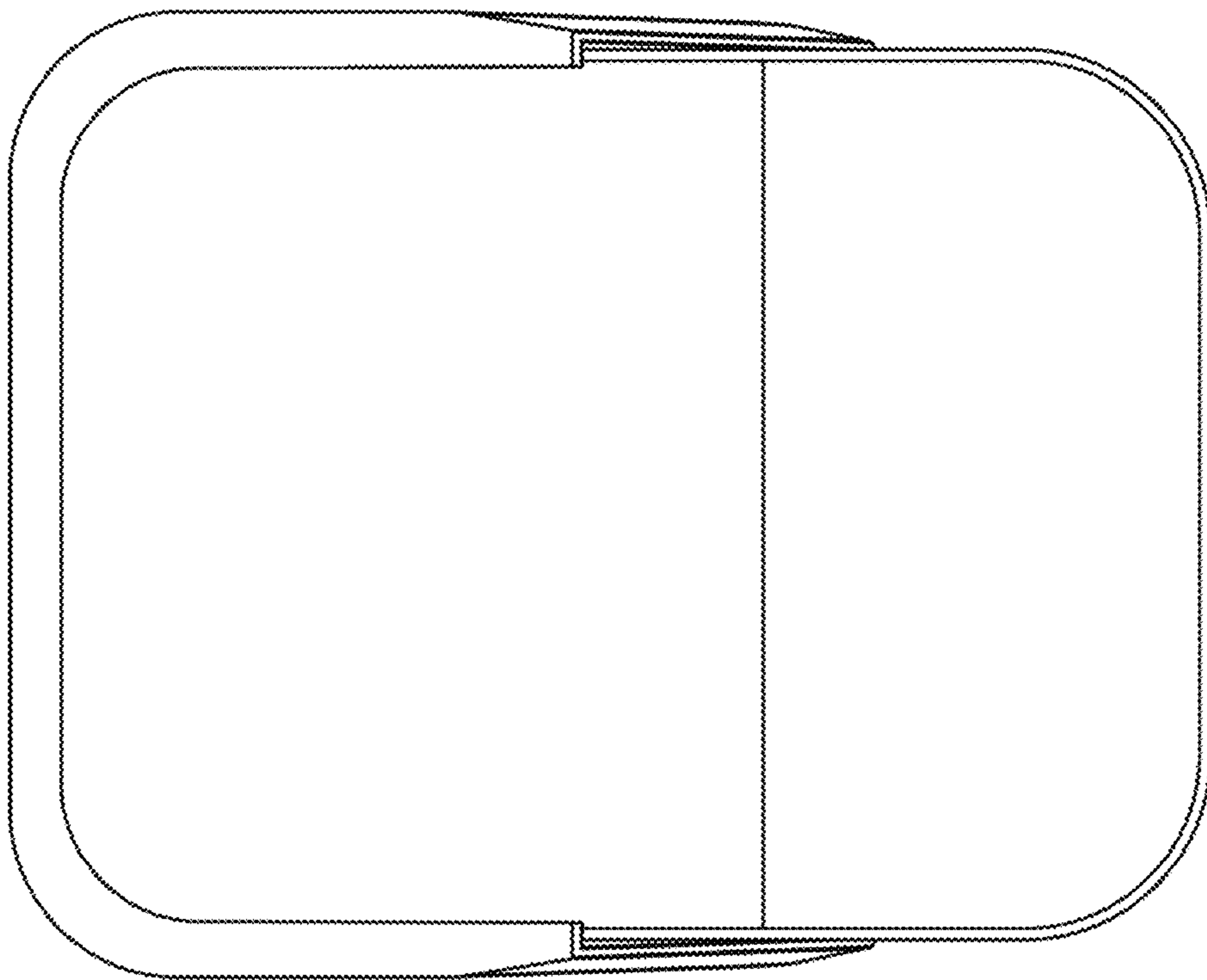


FIG. 20

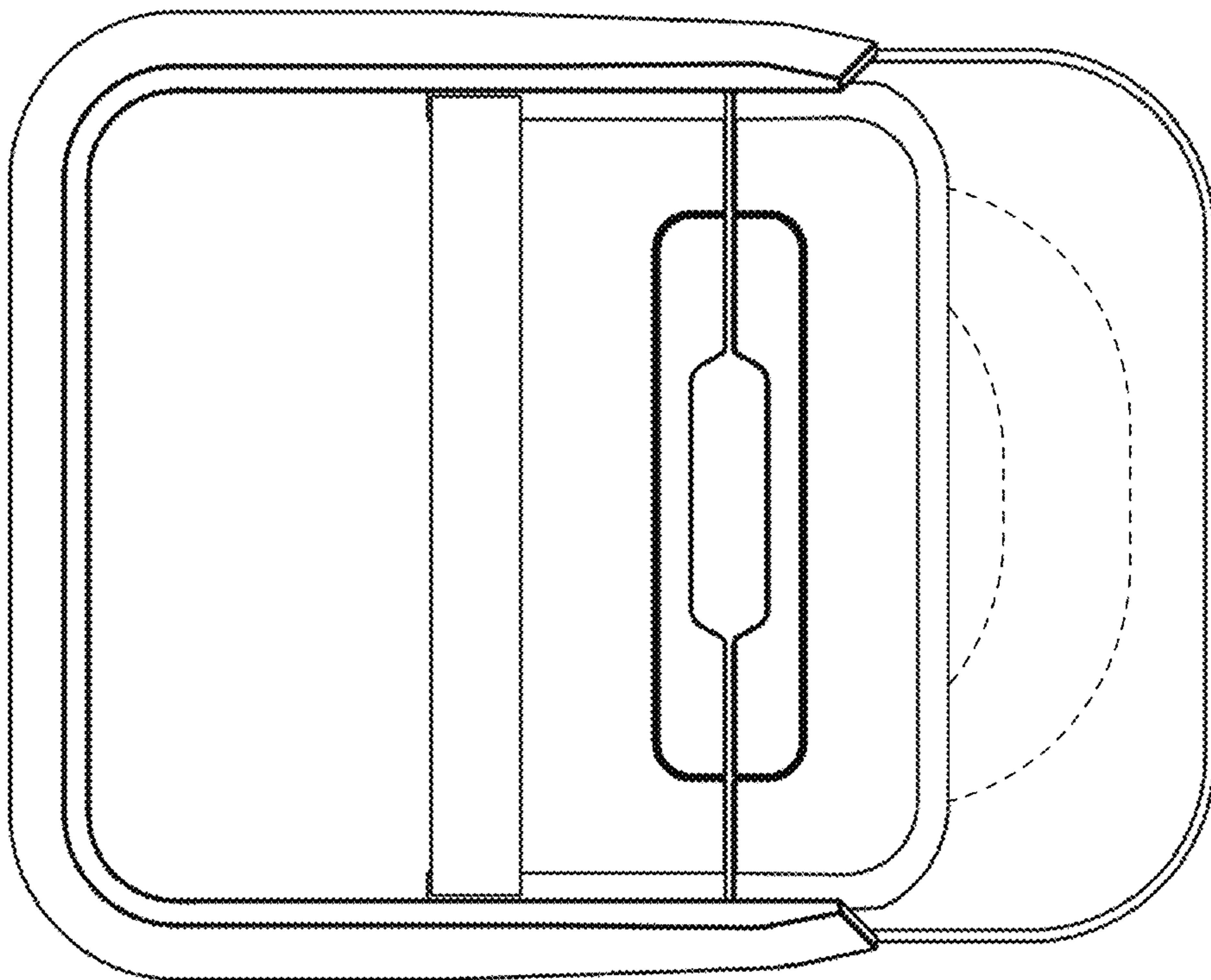


FIG. 19

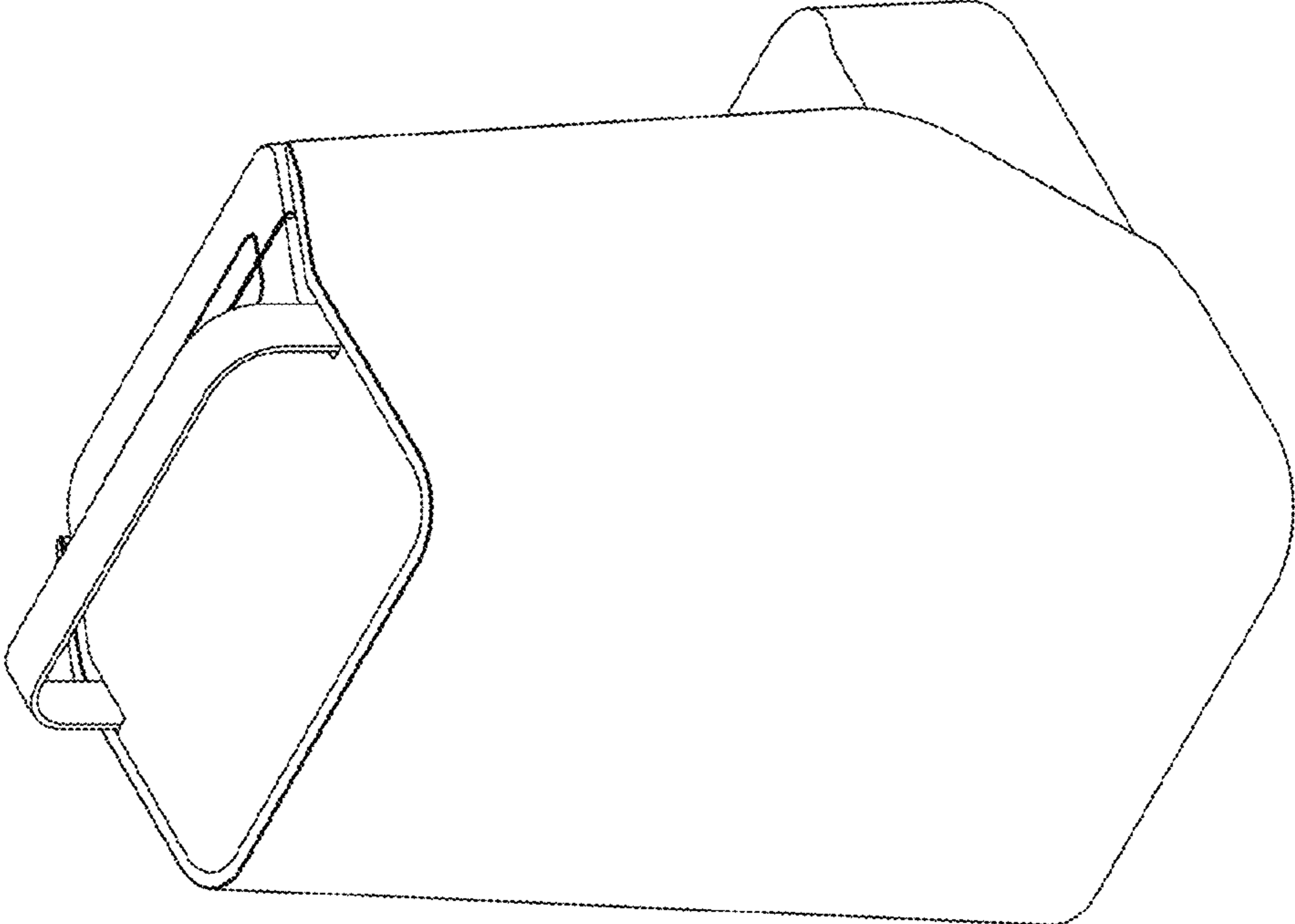


FIG. 21