



US00D897606S

(12) **United States Design Patent**
Oliver

(10) **Patent No.:** **US D897,606 S**

(45) **Date of Patent:** **** Sep. 29, 2020**

- (54) **MASK**
- (71) Applicant: **Healthy Breath Limited**, Auckland (NZ)
- (72) Inventor: **Leon Clements Oliver**, Auckland (NZ)
- (73) Assignee: **Healthy Breath Limited**, Auckland (NZ)

- 4,384,577 A * 5/1983 Huber A41D 13/1146
128/206.19
- D273,145 S * 3/1984 Ponsi D24/110.1
- D285,374 S * 8/1986 Huber D24/110.1
- D285,733 S * 9/1986 Cooper D24/110.1
- 5,307,796 A * 5/1994 Kronzer A41D 13/1146
128/206.16
- 5,374,458 A * 12/1994 Burgio A41D 13/1146
128/206.16

- (**) Term: **15 Years**
- (21) Appl. No.: **29/621,229**
- (22) Filed: **Oct. 5, 2017**

(Continued)

Primary Examiner — Elizabeth J Oswecki
 (74) *Attorney, Agent, or Firm* — Muncy, Geissler, Olds & Lowe, P.C.

(30) **Foreign Application Priority Data**

Apr. 6, 2017 (NZ) 422931

(51) **LOC (12) Cl.** **29-02**

(52) **U.S. Cl.**
USPC **D29/108; D24/110.1**

(58) **Field of Classification Search**
 USPC D29/100, 102, 105, 106, 107, 108, 110,
 D29/122; D2/878, 880, 881; D24/110.1;
 2/455, 456, 410, 423, 424, 425, 9, 171,
 2/173, 206, 906; 128/857, 858, 201.22,
 128/201.23, 201.24, 206.21
 CPC A42B 5/00; A42B 3/18; A42B 3/20; A42B
 1/046; A63B 71/08; A63B 71/10; A63B
 71/105; A61F 9/04; A61F 9/06; A61F
 9/029; A41D 13/11; A41D 13/1107;
 A41D 13/1161; A41D 13/1169; A41D
 13/1176; A41G 7/00; A41G 7/02

See application file for complete search history.

(56) **References Cited**

U.S. PATENT DOCUMENTS

- D248,497 S * 7/1978 Slosek D24/110.1
- D267,985 S * 2/1983 Huber D24/110.1

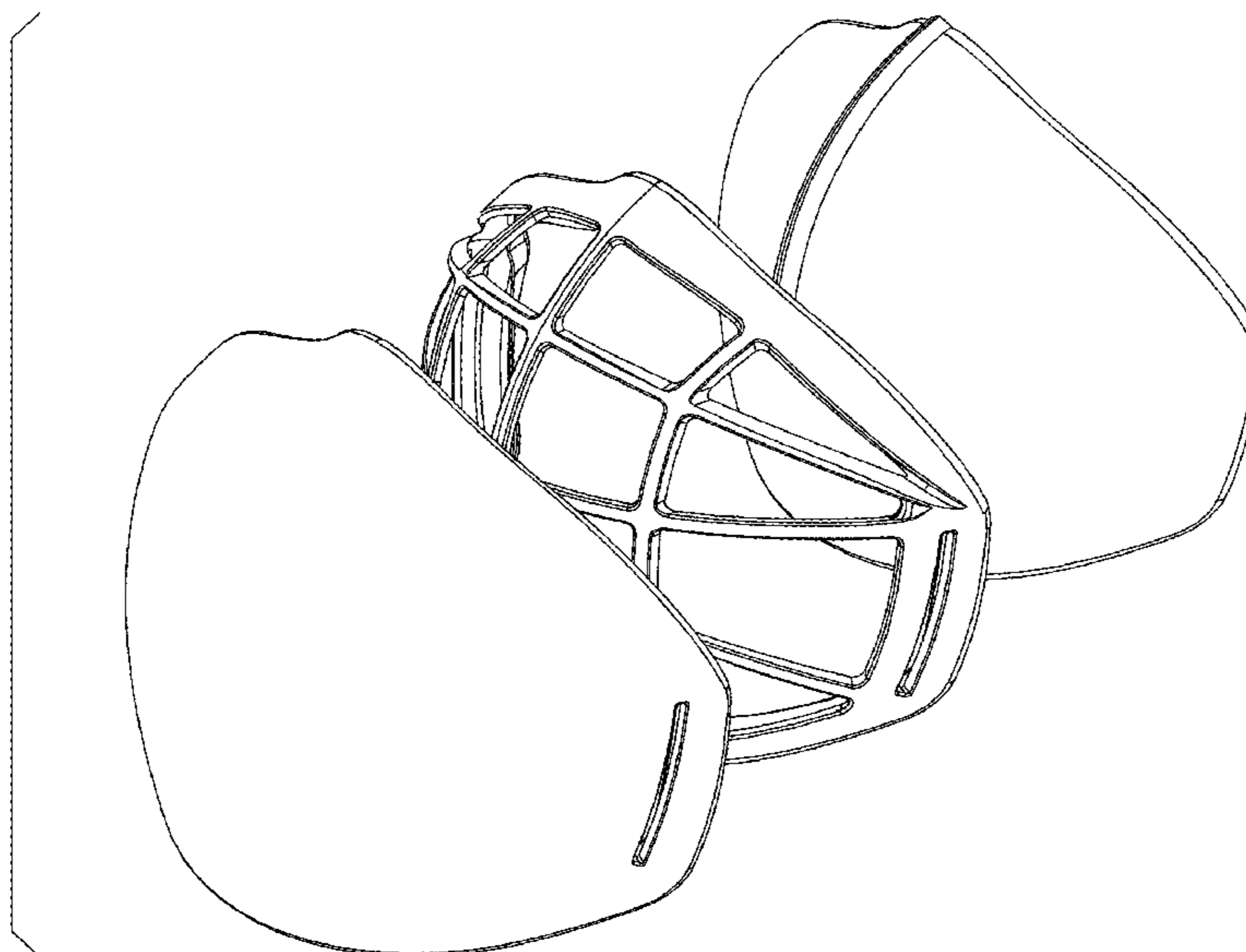
(57) **CLAIM**

The ornamental design for a mask, as shown and described.

DESCRIPTION

FIG. 1 is a perspective view of a first embodiment of a mask showing my new design, in an assembled position;
 FIG. 2 is a cross sectional view taken along line 2-2 in FIG. 3;
 FIG. 3 is a front view of FIG. 1;
 FIG. 4 is a rear view of FIG. 1;
 FIG. 5 is a left side view of FIG. 1;
 FIG. 6 is a right side view of FIG. 1;
 FIG. 7 is a top plan view of FIG. 1;
 FIG. 8 is a bottom plan view of FIG. 1;
 FIG. 9 is an exploded perspective view of a second embodiment of a mask showing my new design, in an unassembled position;
 FIG. 10 is a front view of FIG. 9;
 FIG. 11 is a rear view of FIG. 9;
 FIG. 12 is a right side view of FIG. 9;
 FIG. 13 is a left side view of FIG. 9;
 FIG. 14 is a top plan view of FIG. 9; and,
 FIG. 15 is a bottom plan view of FIG. 9.
 The broken line of the arrow in FIG. 3 forms no part of the claimed design.

1 Claim, 14 Drawing Sheets



(56)

References Cited

U.S. PATENT DOCUMENTS

5,558,089 A * 9/1996 Castiglione A41D 13/1146
128/206.24
D380,545 S * 7/1997 Nozaki D24/110.1
D383,537 S * 9/1997 Lunden D24/110.1
5,819,731 A * 10/1998 Dyrud A41D 13/1146
128/206.27
5,842,470 A * 12/1998 Ruben A41D 13/1115
128/206.19
D420,769 S * 2/2000 White D24/110.1
6,041,782 A * 3/2000 Angadjivand A41D 13/1146
128/205.27
D429,385 S * 8/2000 Lee D29/108
D430,361 S * 8/2000 Smith D29/108
6,116,236 A * 9/2000 Wyss A62B 23/025
128/200.24
D434,879 S * 12/2000 Cole D29/108
D443,927 S * 6/2001 Chen D24/110.1
6,817,362 B2 * 11/2004 Gelinas A62B 18/025
128/206.12
D638,171 S * 5/2011 Goranov D29/108
D658,334 S * 4/2012 Goranov D29/108
D698,498 S * 1/2014 Fleming D29/108
8,905,034 B2 * 12/2014 Goranov A41D 13/1115
128/201.17
D773,121 S * 11/2016 Yuan D29/108
D776,257 S * 1/2017 Remer D24/110.1
9,643,048 B1 * 5/2017 Danford A61M 16/20

D820,434 S * 6/2018 Bergman D24/110.1
D844,253 S * 3/2019 Cho D29/108
D848,075 S * 5/2019 Szasz D29/108
10,322,312 B1 * 6/2019 Danford A63B 23/18
2003/0154984 A1 * 8/2003 Fernandes A41D 13/1146
D24/110.1
2008/0295843 A1 * 12/2008 Haas A41D 13/1192
128/205.27
2009/0320848 A1 * 12/2009 Steindorf A62B 23/025
128/206.21
2009/0320849 A1 * 12/2009 Biedermann A41D 13/1192
128/206.28
2010/0218774 A1 * 9/2010 Flaherty A41D 13/1138
128/863
2011/0203593 A1 * 8/2011 Ishigami A62B 23/025
128/206.13
2012/0180800 A1 * 7/2012 Shibata A41D 13/113
128/863
2014/0224261 A1 * 8/2014 Tsuei A62B 23/025
128/863
2015/0034098 A1 * 2/2015 Schumacher A62B 18/025
128/863
2015/0047642 A1 * 2/2015 Tucker A62B 7/10
128/206.17
2015/0053206 A1 * 2/2015 Seppala A62B 18/025
128/202.27
2015/0173436 A1 * 6/2015 Tsuei A62B 7/10
2/424
2017/0144000 A1 * 5/2017 Danford A62B 7/10

* cited by examiner

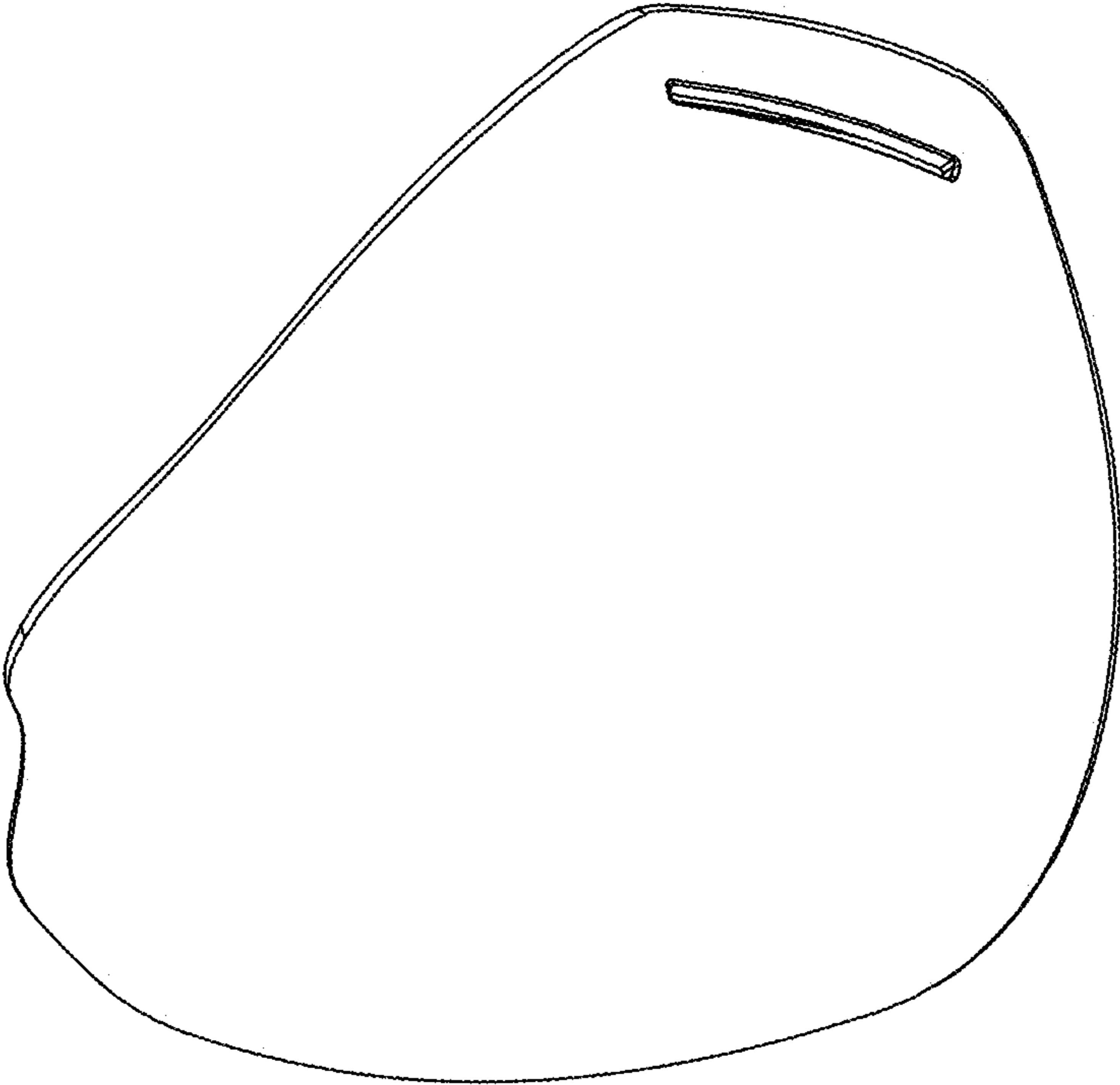


FIGURE 1

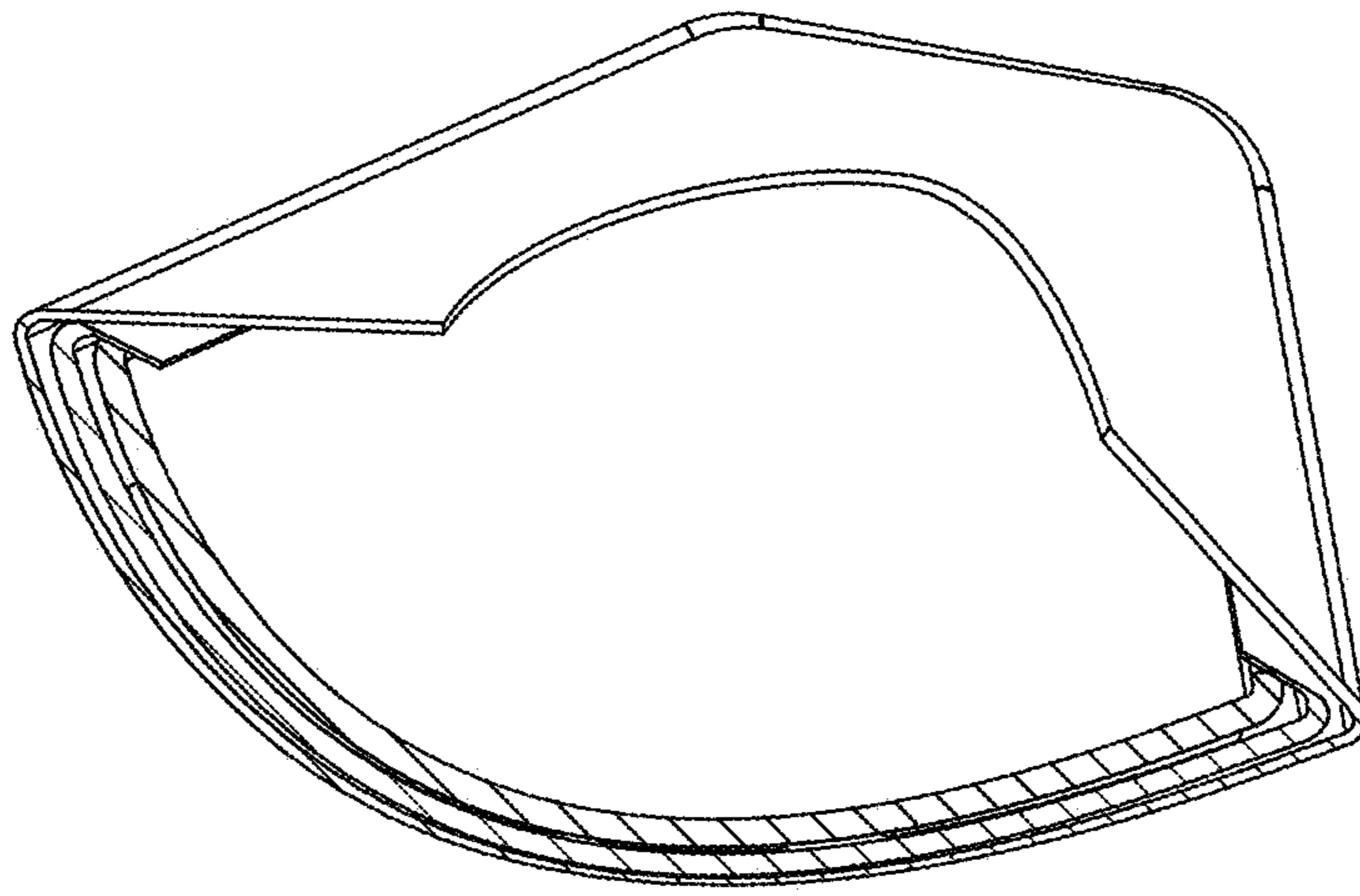


FIGURE 2

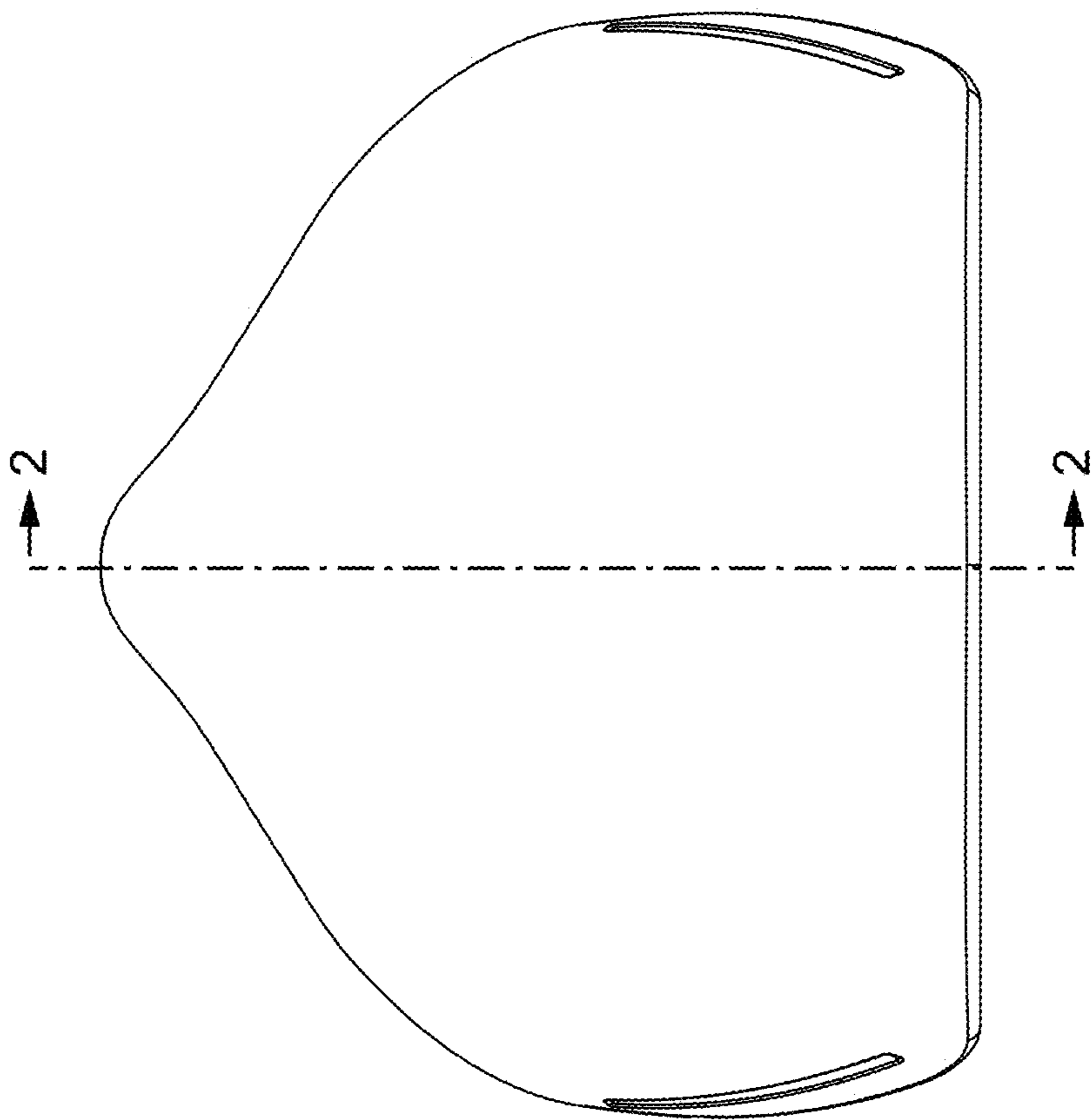


FIGURE 3

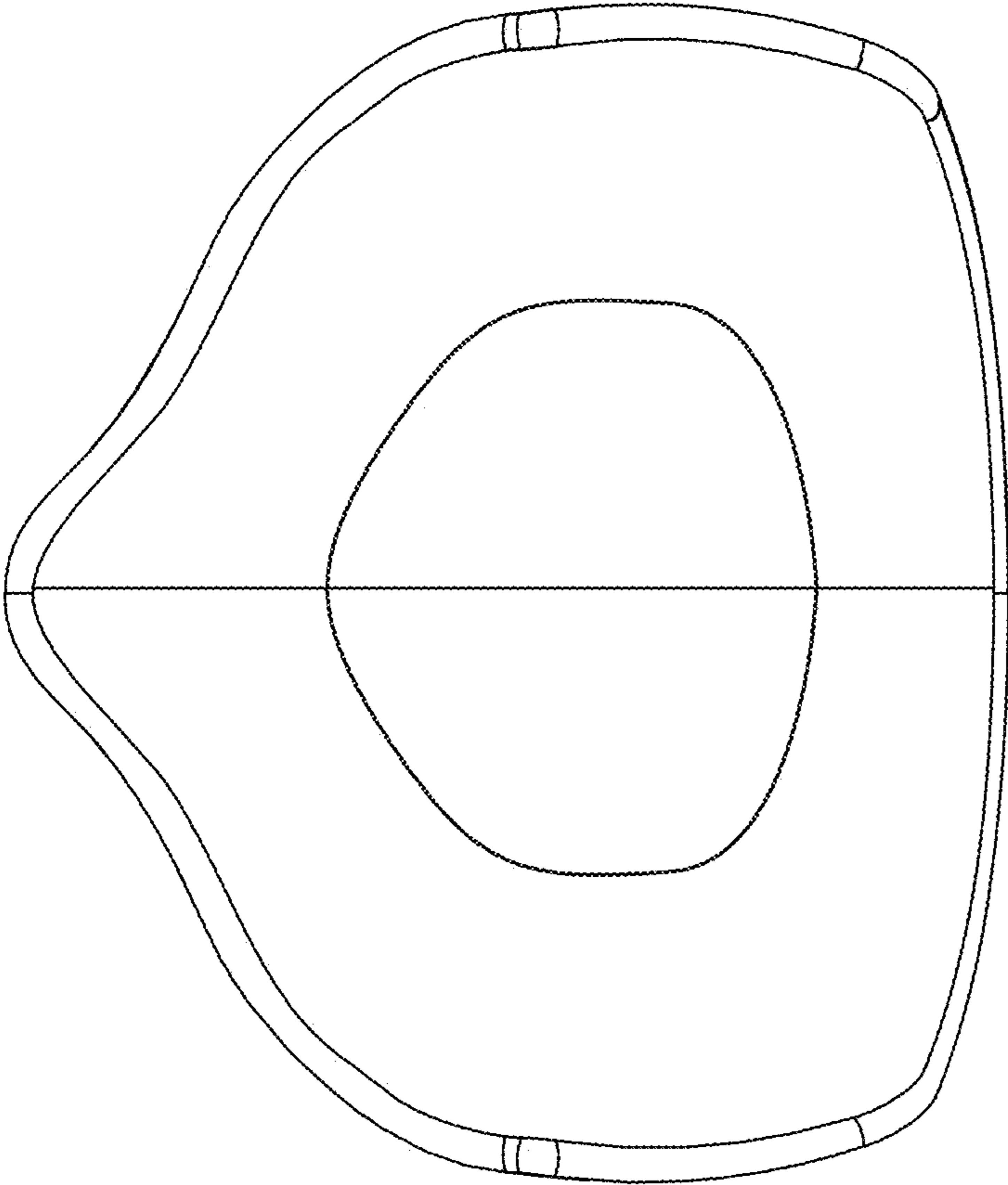


FIGURE 4

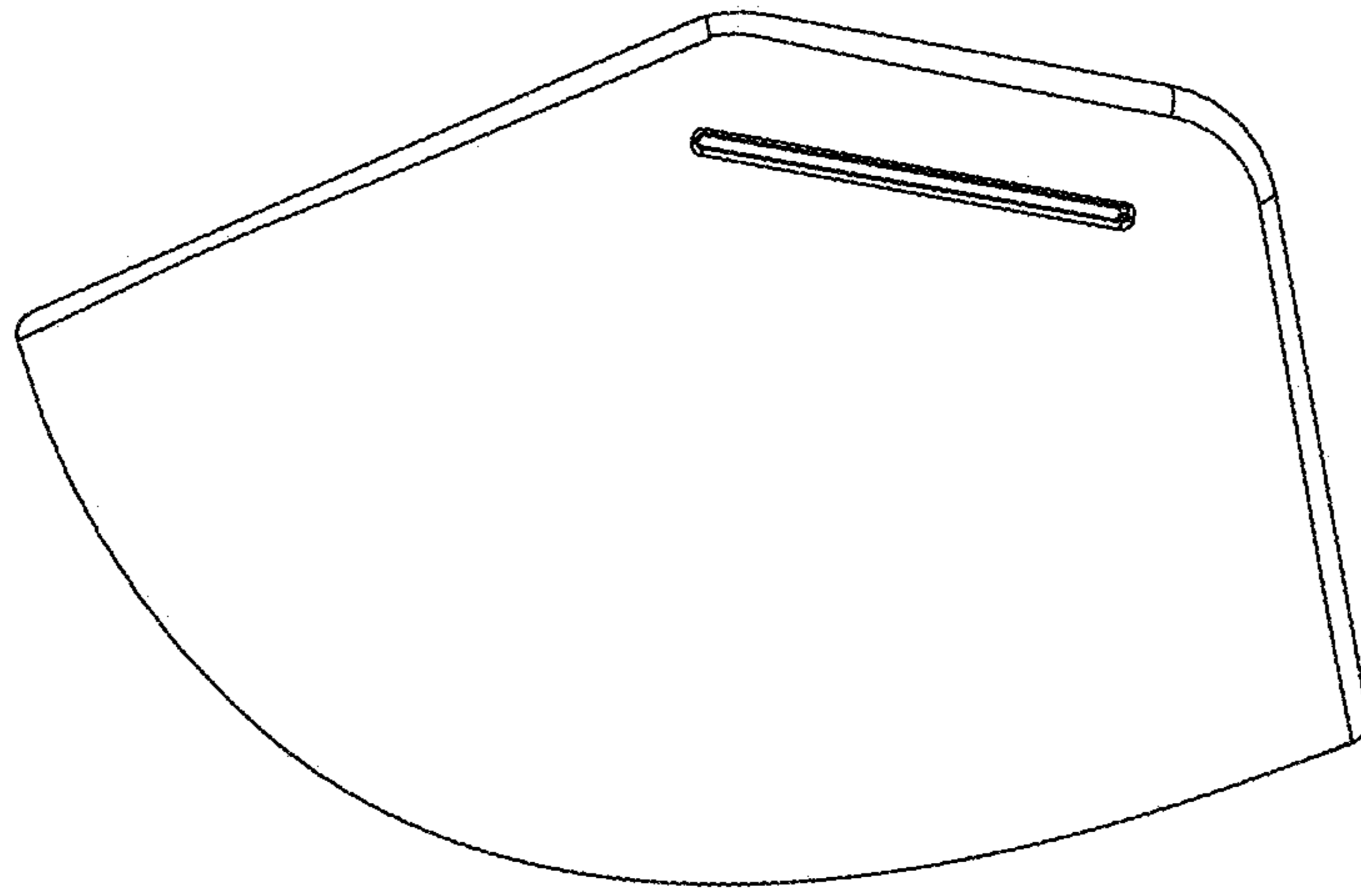


FIGURE 6

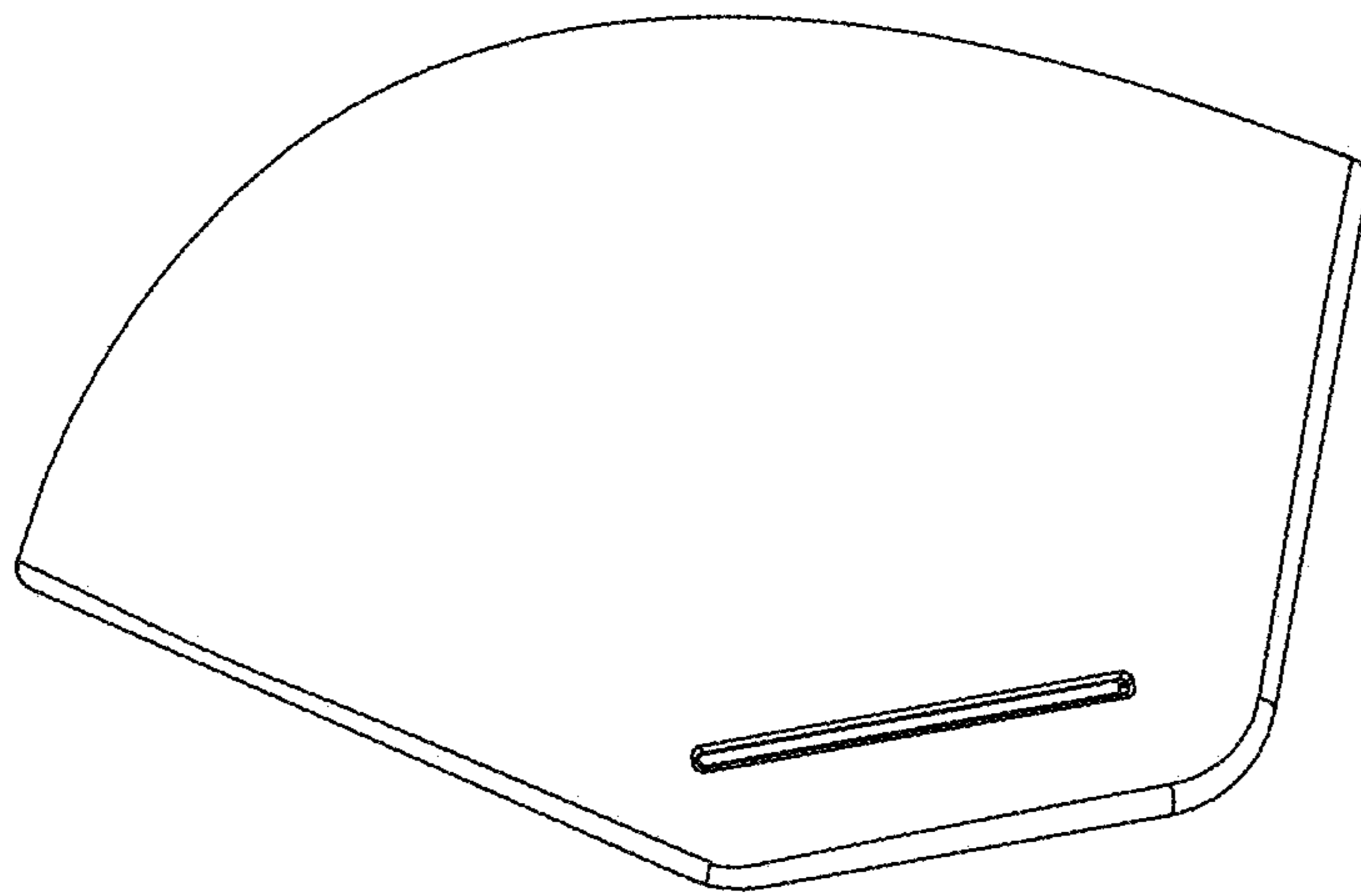


FIGURE 5

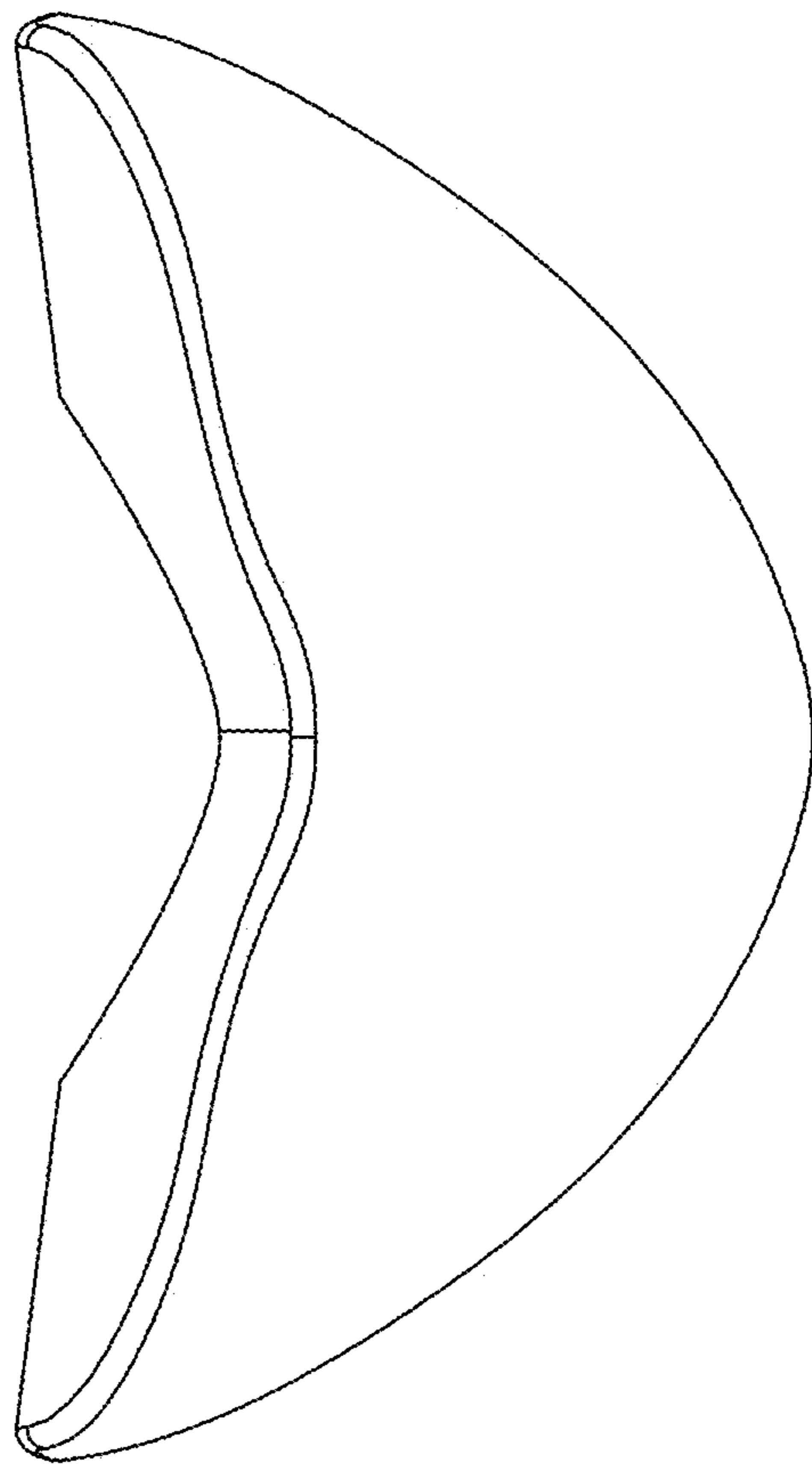


FIGURE 7

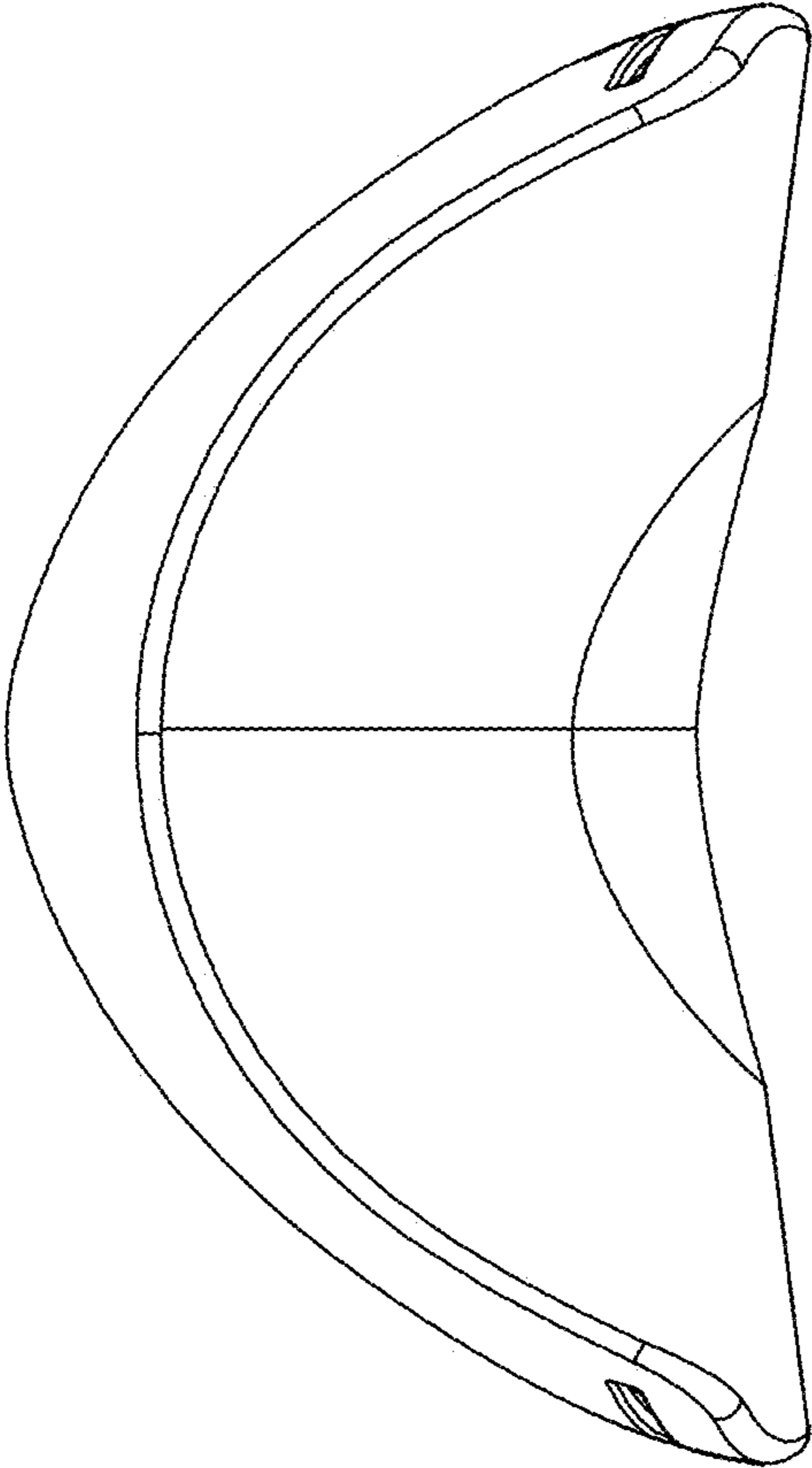


FIGURE 8

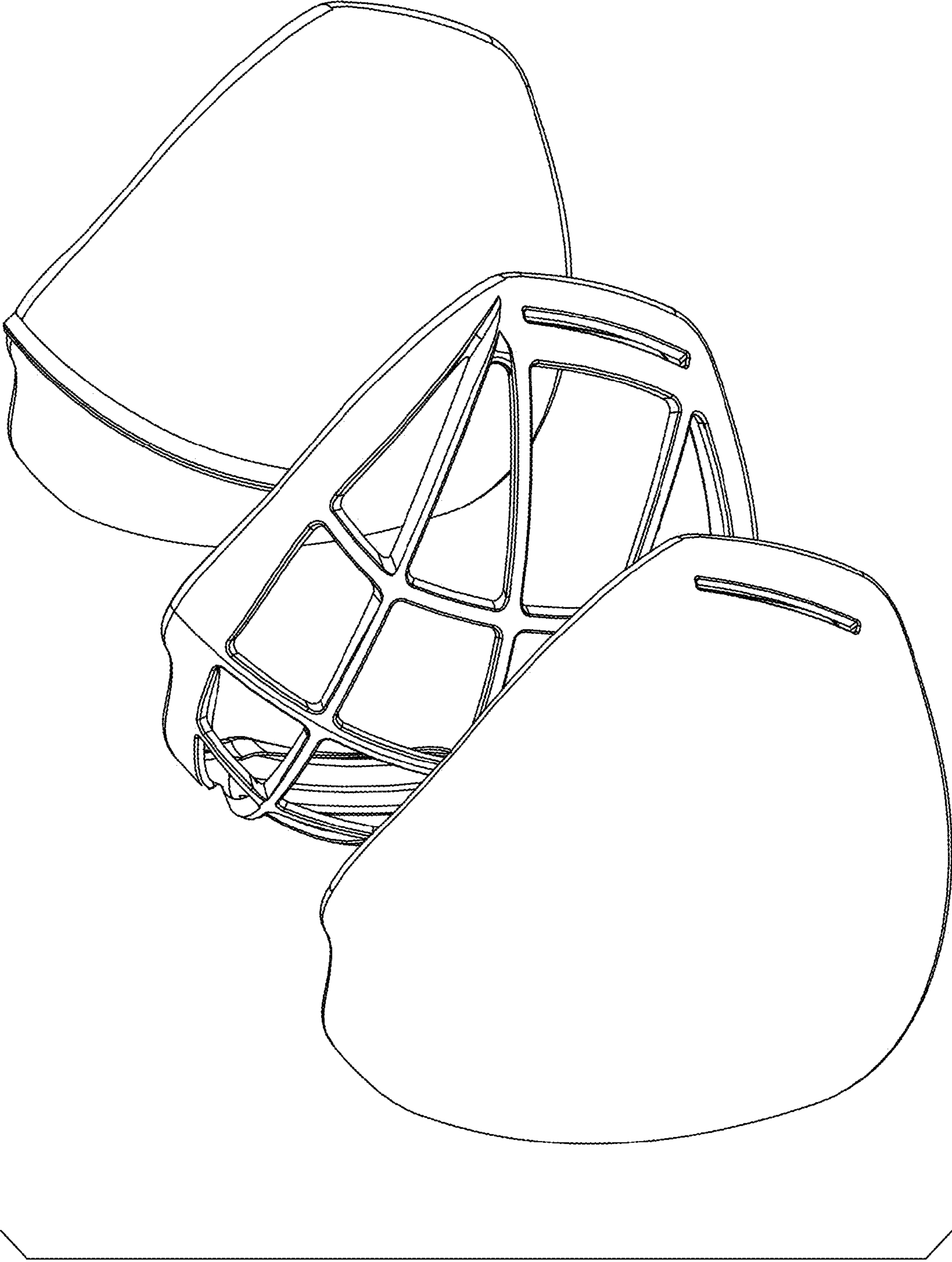


FIGURE 9

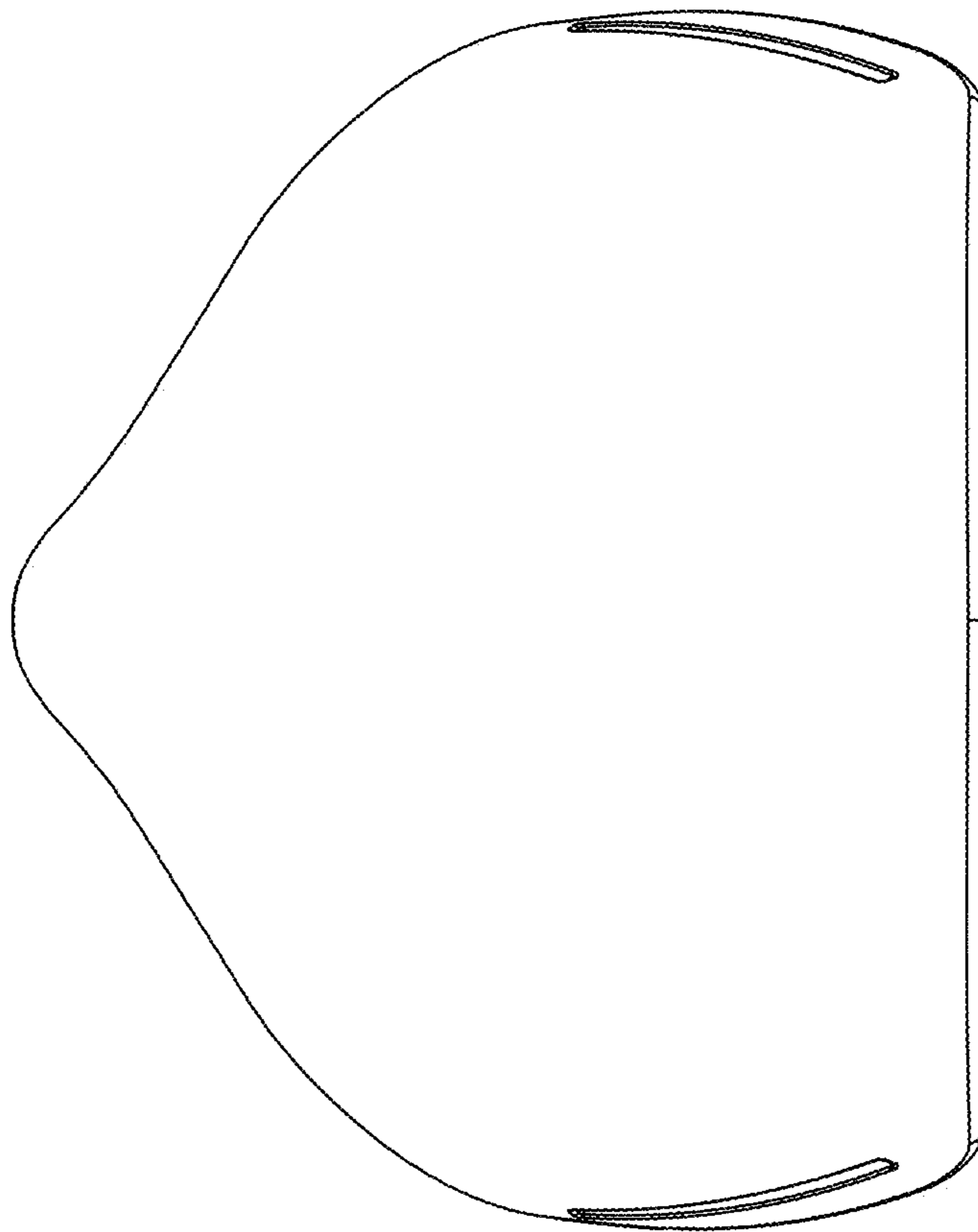


FIGURE 10

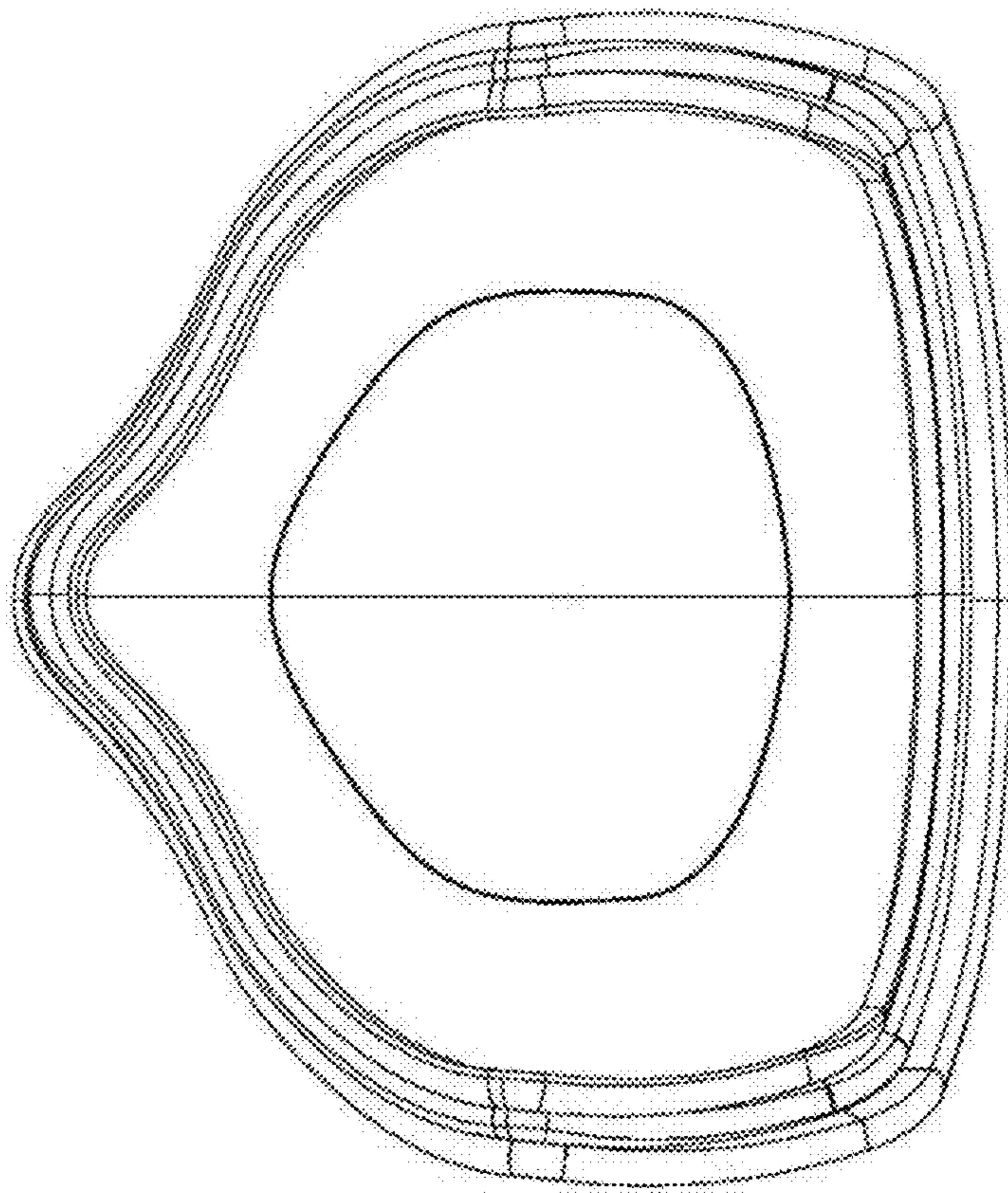


FIGURE 11

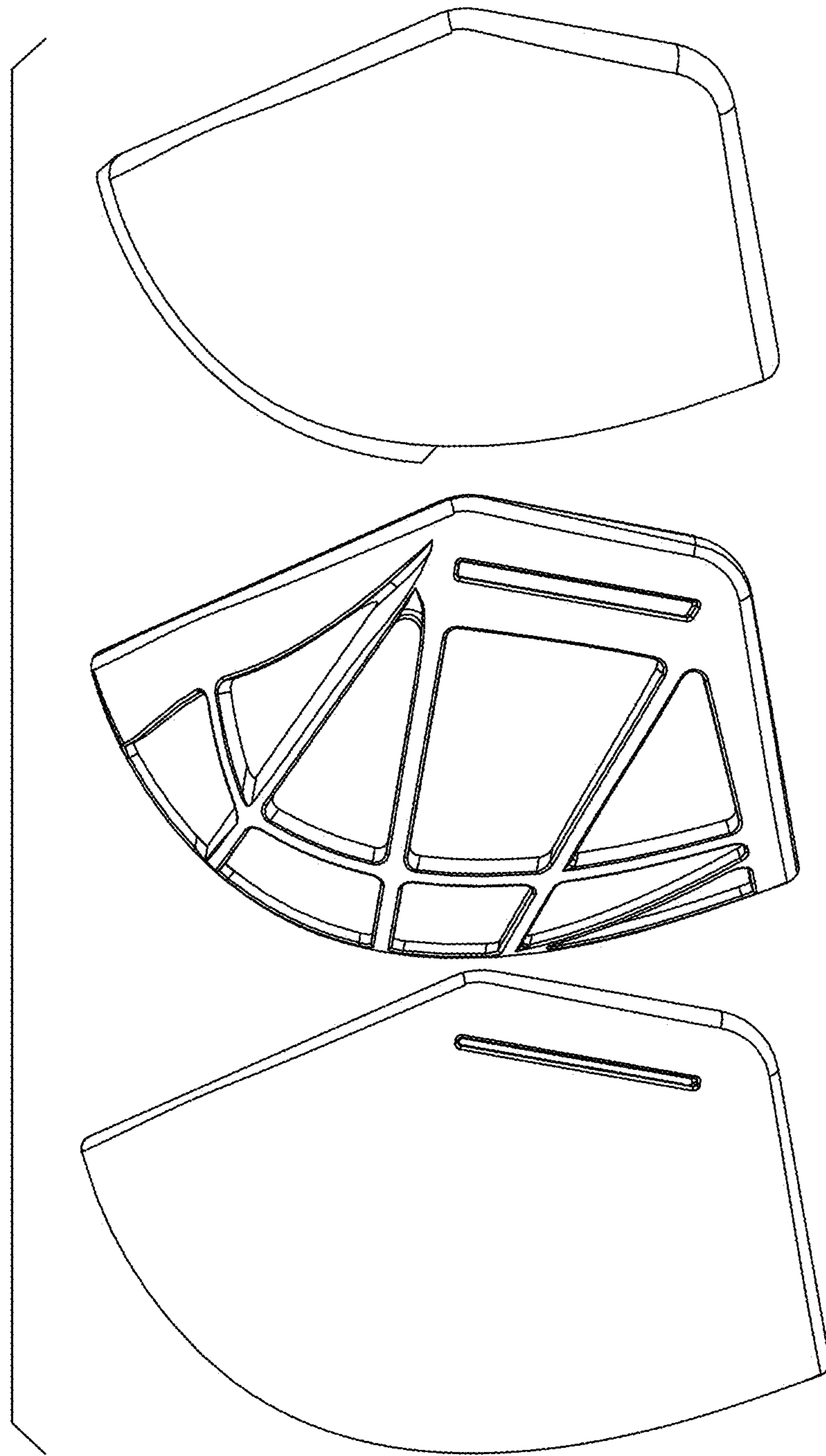


FIGURE 12

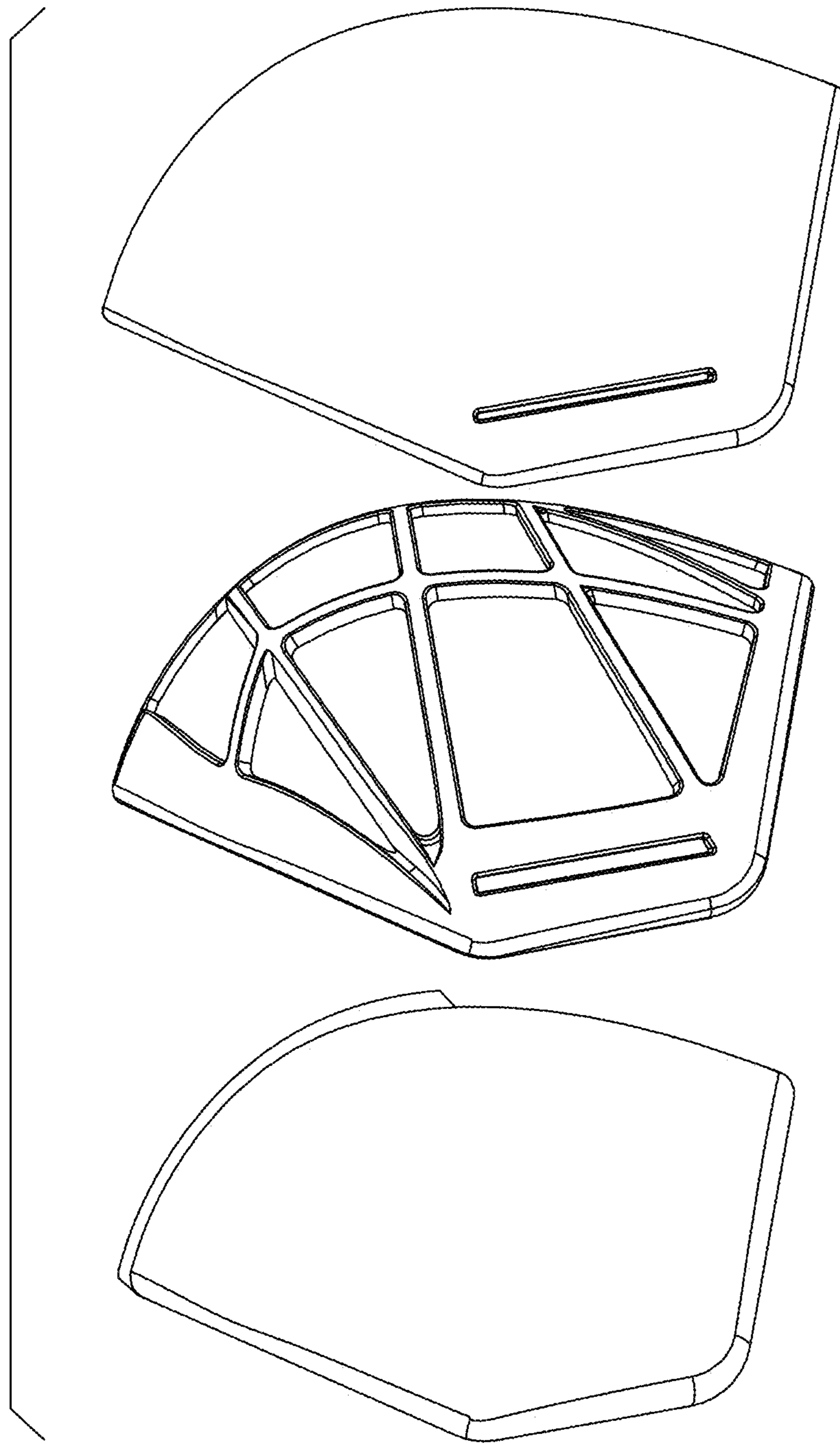


FIGURE 13

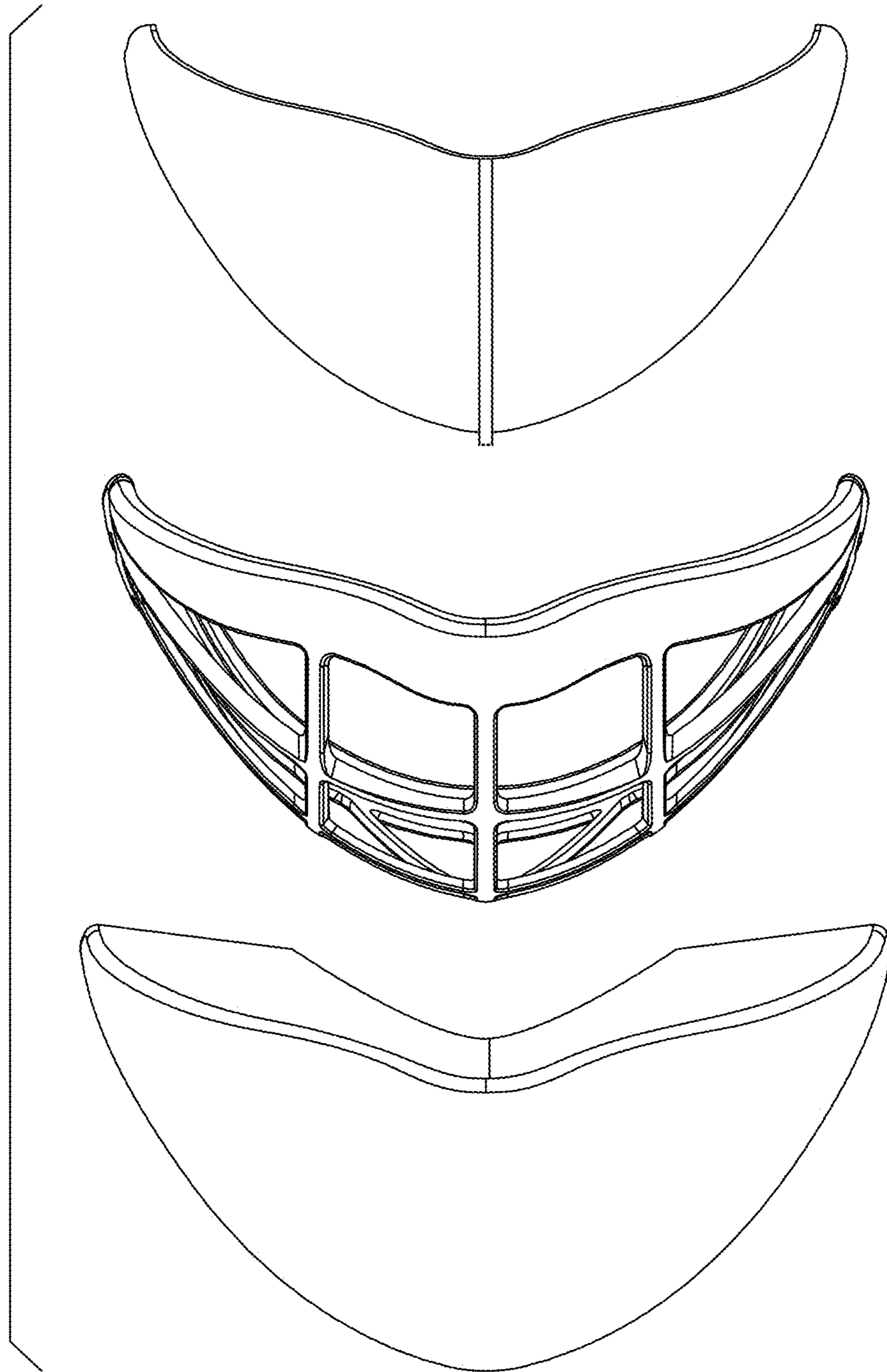


FIGURE 14

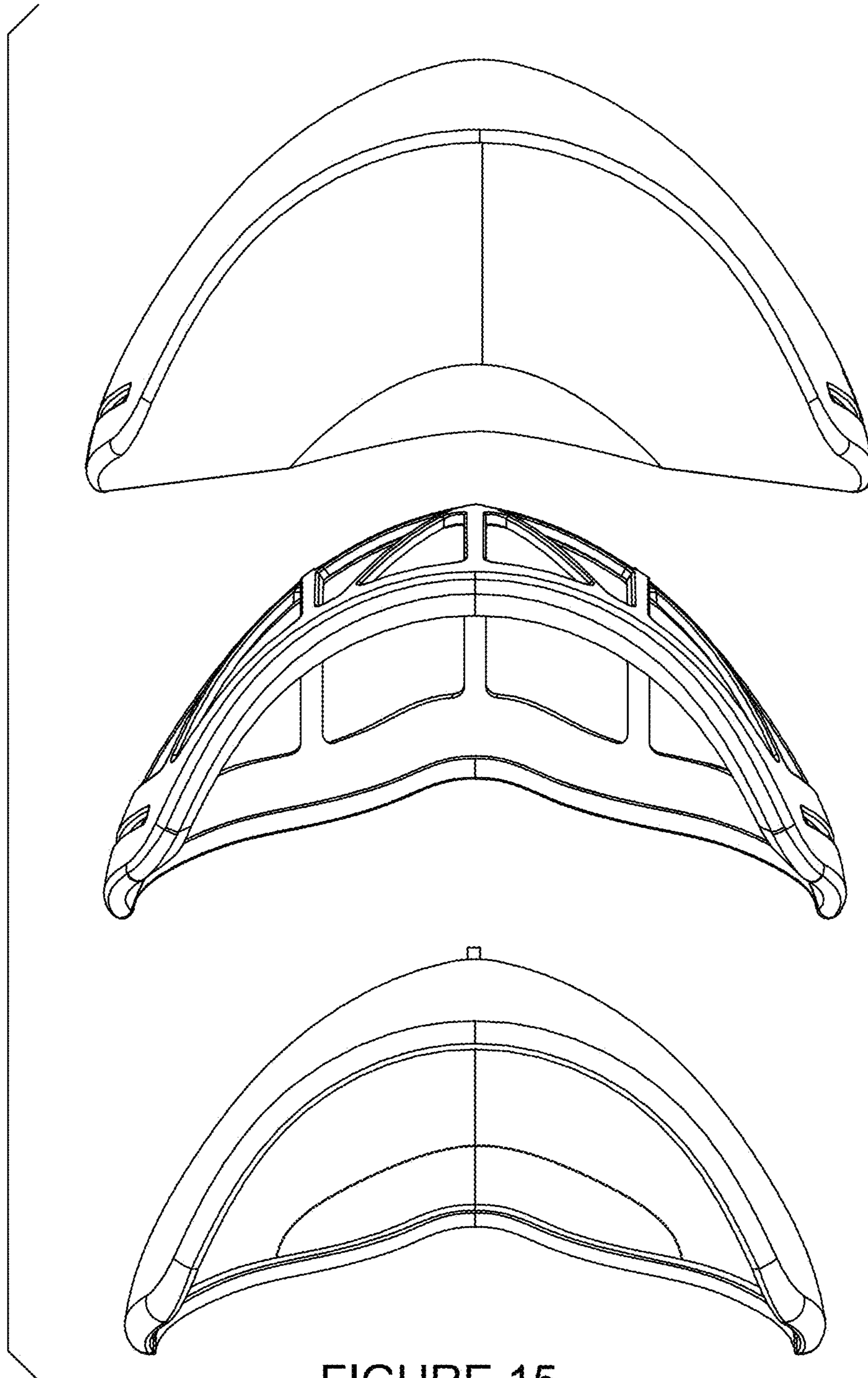


FIGURE 15